



US00D794387S

(12) **United States Design Patent** (10) **Patent No.:** **US D794,387 S**  
**Sahleen** (45) **Date of Patent:** **\*\* Aug. 15, 2017**

(54) **BEVERAGE DISPENSING ATTACHMENT FOR A FAUCET**

*Primary Examiner* — Robin V Webster  
(74) *Attorney, Agent, or Firm* — Pate Peterson PLLC;  
Brett Peterson

(71) Applicant: **Brad Sahleen**, Sandy, UT (US)

(72) Inventor: **Brad Sahleen**, Sandy, UT (US)

(\*\*) Term: **15 Years**

(57) **CLAIM**

(21) Appl. No.: **29/562,662**

I claim the ornamental design for the beverage dispensing attachment for a faucet, as shown and described.

(22) Filed: **Apr. 27, 2016**

(51) **LOC (10) Cl.** ..... **07-04**

(52) **U.S. Cl.**  
USPC ..... **D7/397**

**DESCRIPTION**

(58) **Field of Classification Search**  
USPC ..... D23/213; D7/397, 398; 251/231;  
99/295; 222/14, 20  
CPC ..... B65D 85/8043; A47J 31/0673  
See application file for complete search history.

FIG. 1 is a perspective view of the beverage dispensing attachment for a faucet.  
FIG. 2 is a top view of the beverage dispensing attachment for a faucet.  
FIG. 3 is a bottom view of the beverage dispensing attachment for a faucet.  
FIG. 4 is a front view of the beverage dispensing attachment for a faucet.  
FIG. 5 is a back view of the beverage dispensing attachment for a faucet.  
FIG. 6 is a left side view of the beverage dispensing attachment for a faucet.  
FIG. 7 is a right side view of the beverage dispensing attachment for a faucet.  
FIG. 8 is a left view of the beverage dispensing attachment for a faucet attached to a faucet; and,  
FIG. 9 is a left view of the beverage dispensing attachment for a faucet attached to another style of faucet.  
The broken line showing of portions of the dispenser and environment in FIGS. 8 and 9 is included for the purpose of illustrating and forms no part of the claimed design.

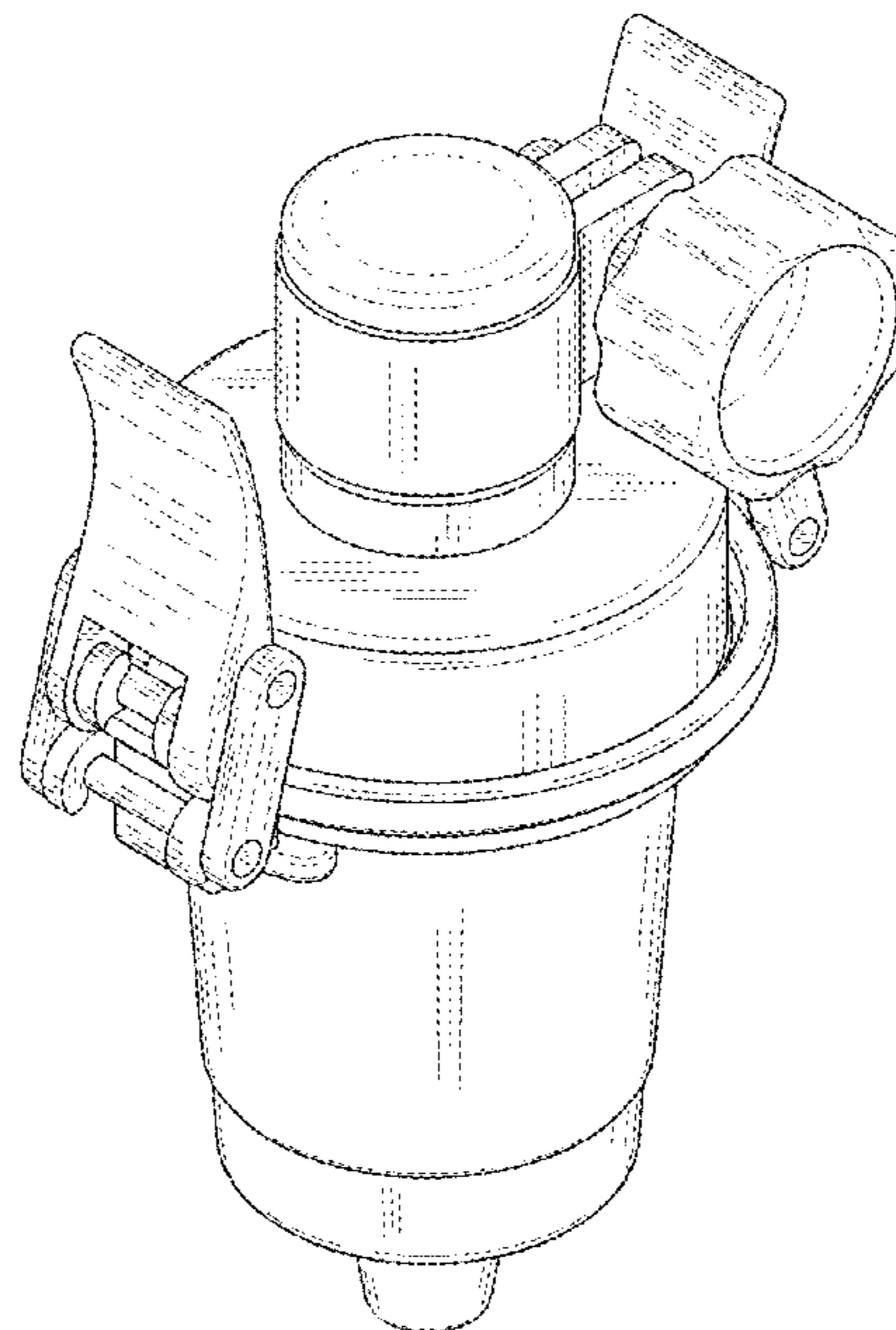
(56) **References Cited**

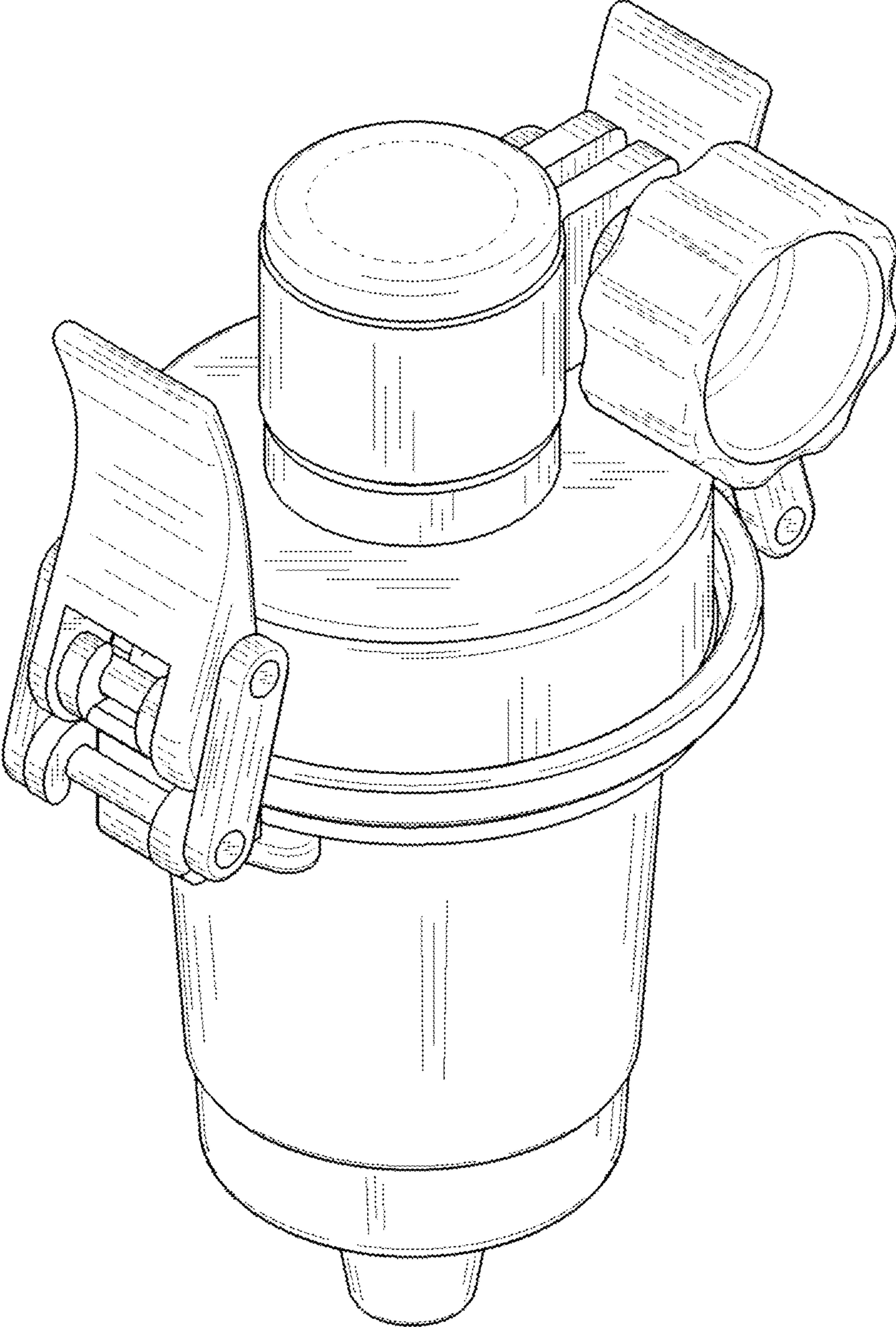
**U.S. PATENT DOCUMENTS**

|                 |         |              |       |         |
|-----------------|---------|--------------|-------|---------|
| D189,904 S *    | 3/1961  | Seltsam      | ..... | D23/238 |
| 5,225,076 A     | 7/1993  | Meredith     |       |         |
| 5,390,587 A     | 2/1995  | Wu           |       |         |
| 7,617,939 B2    | 11/2009 | Klump et al. |       |         |
| D644,297 S *    | 8/2011  | Chen         | ..... | D23/209 |
| 8,056,588 B2    | 11/2011 | Somerby      |       |         |
| D660,080 S *    | 5/2012  | Littlejohn   | ..... | D7/397  |
| D686,296 S *    | 7/2013  | Melzer       | ..... | D23/209 |
| D711,500 S *    | 8/2014  | Marchetti    | ..... | D23/209 |
| D719,403 S *    | 12/2014 | Halioua      | ..... | D7/397  |
| 8,955,536 B2    | 2/2015  | Bell et al.  |       |         |
| D754,474 S *    | 4/2016  | Minica       | ..... | D7/397  |
| 2015/0004288 A1 | 1/2015  | McHale       |       |         |
| 2015/0090128 A1 | 4/2015  | Hansen       |       |         |

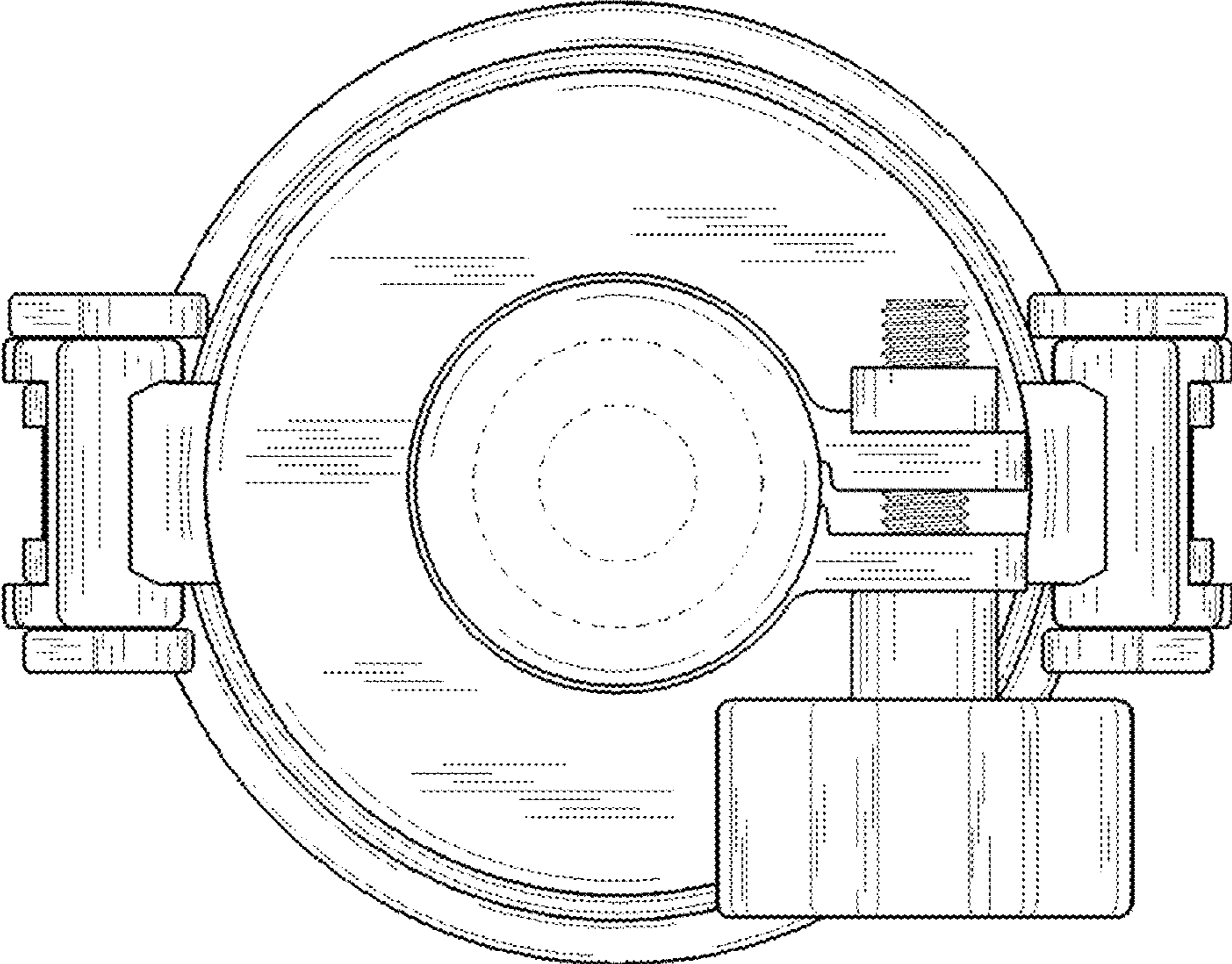
\* cited by examiner

**1 Claim, 9 Drawing Sheets**

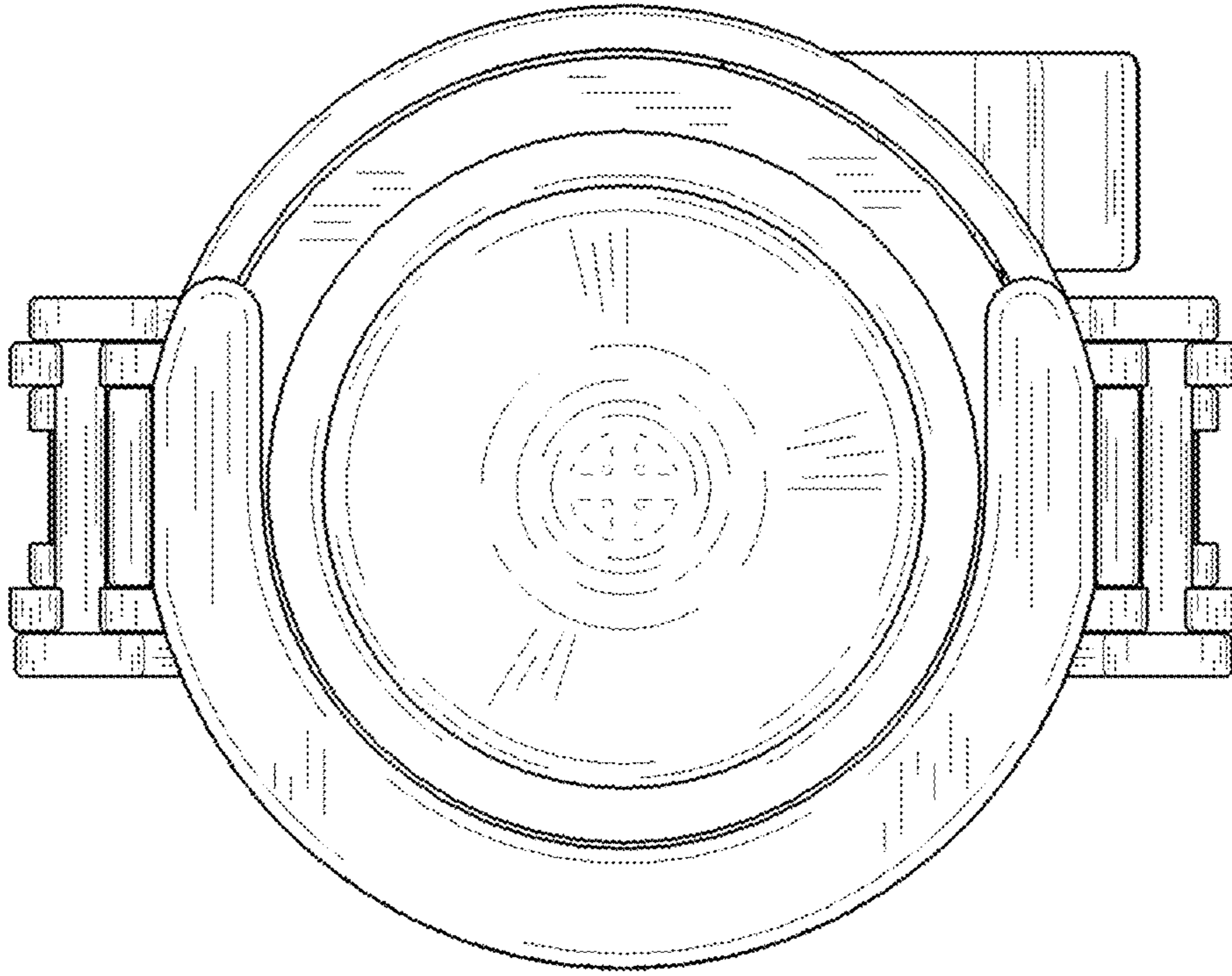




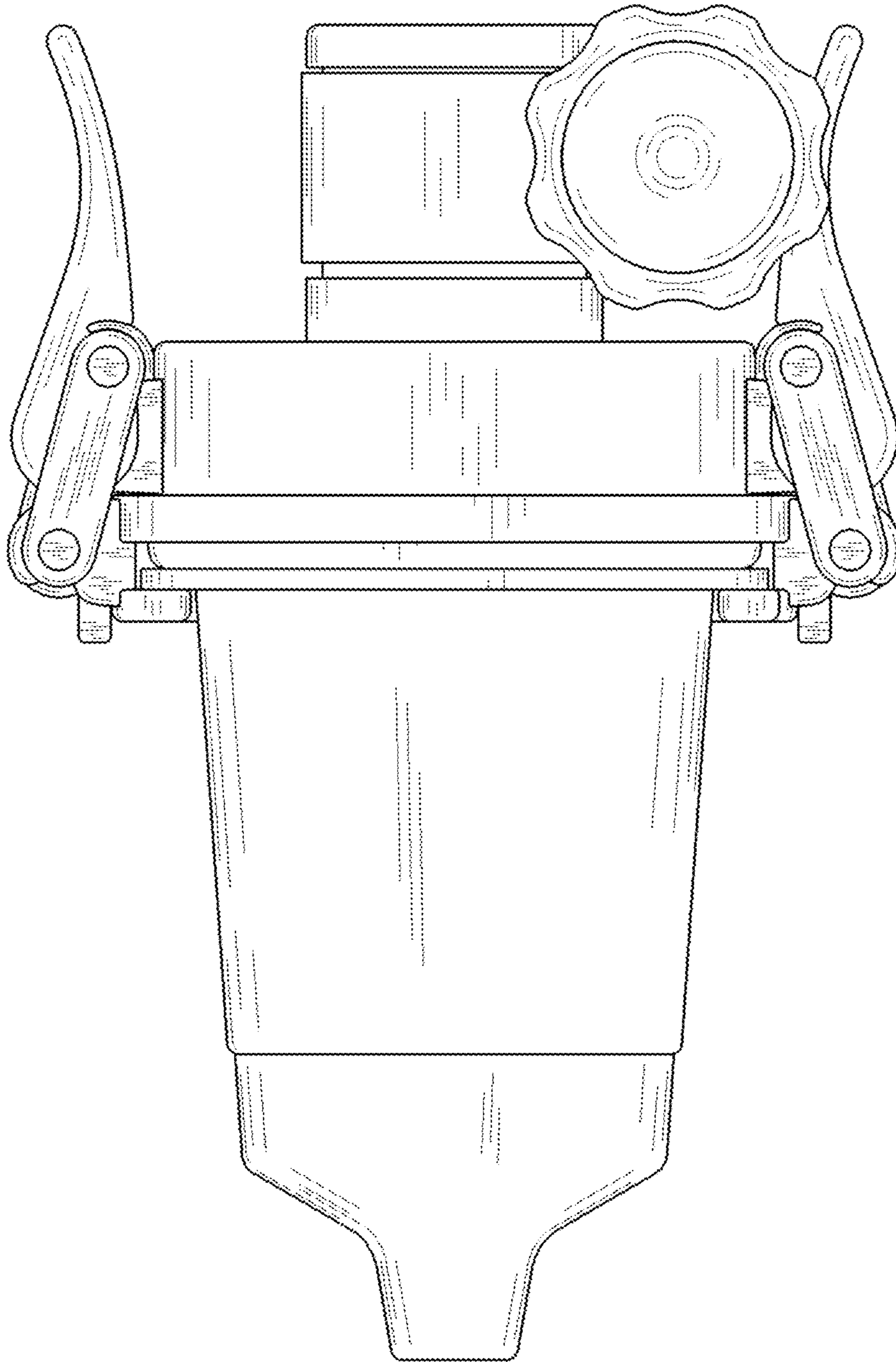
**FIG. 1**



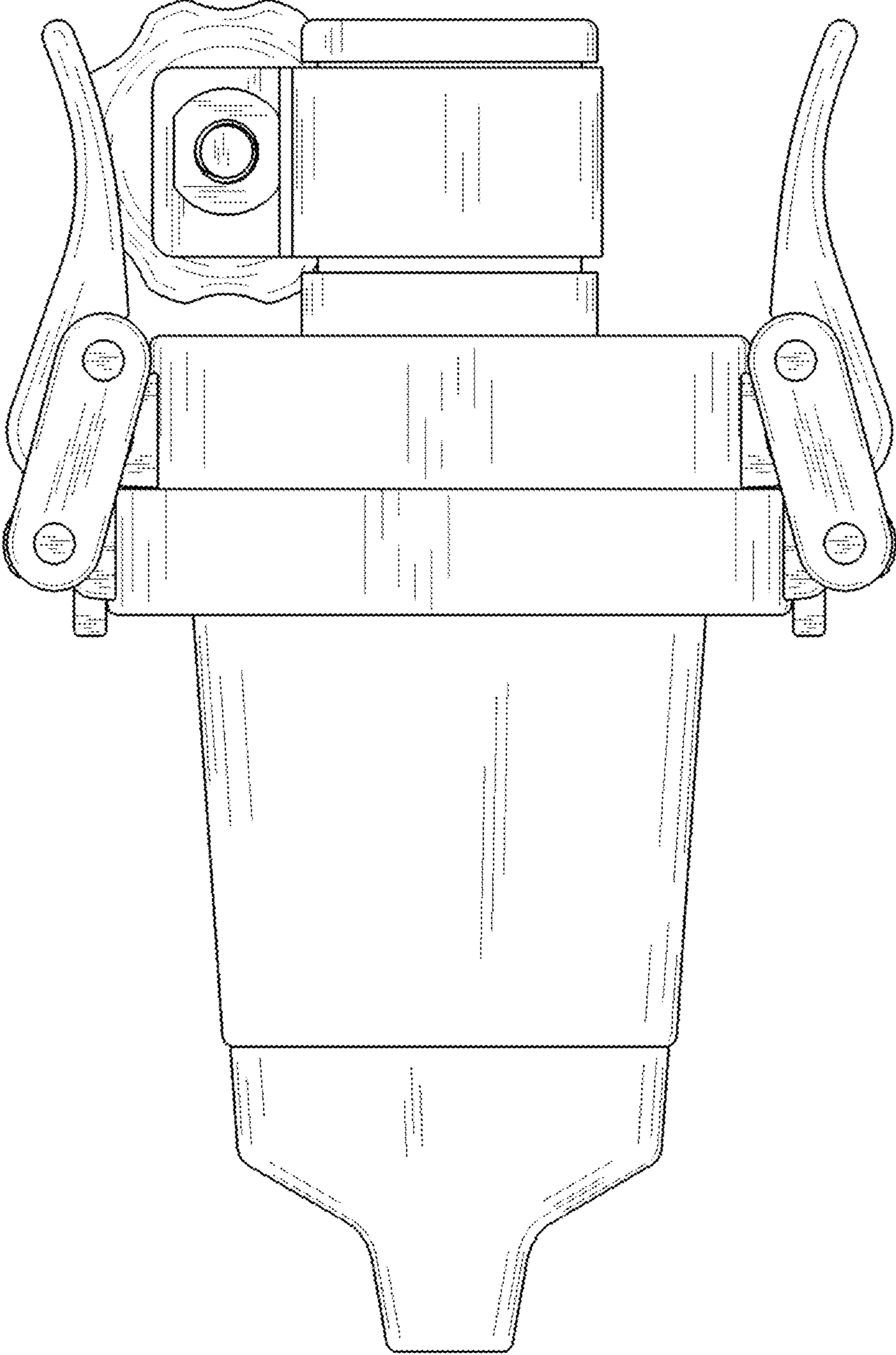
**FIG. 2**



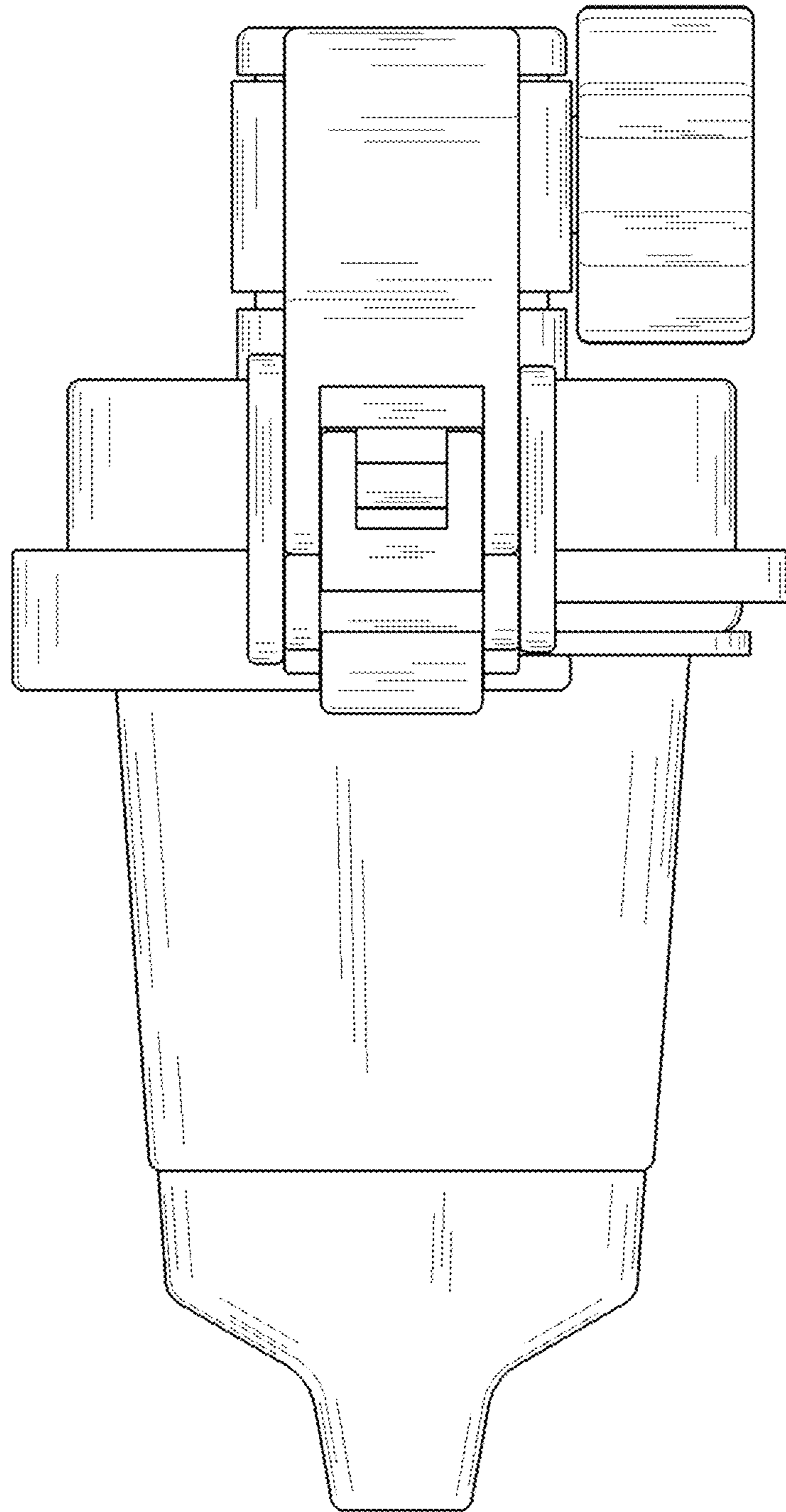
**FIG. 3**



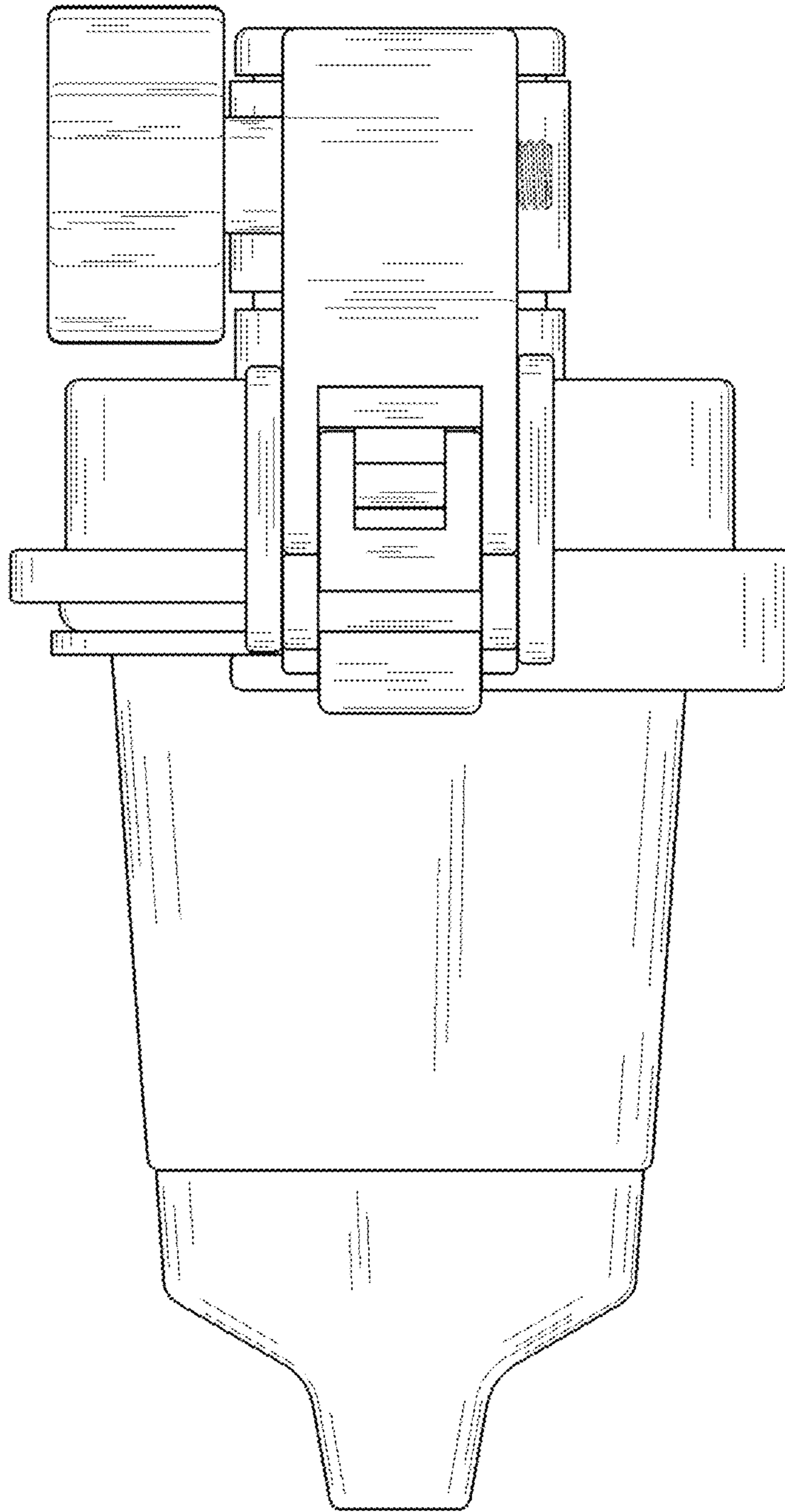
**FIG. 4**



**FIG. 5**

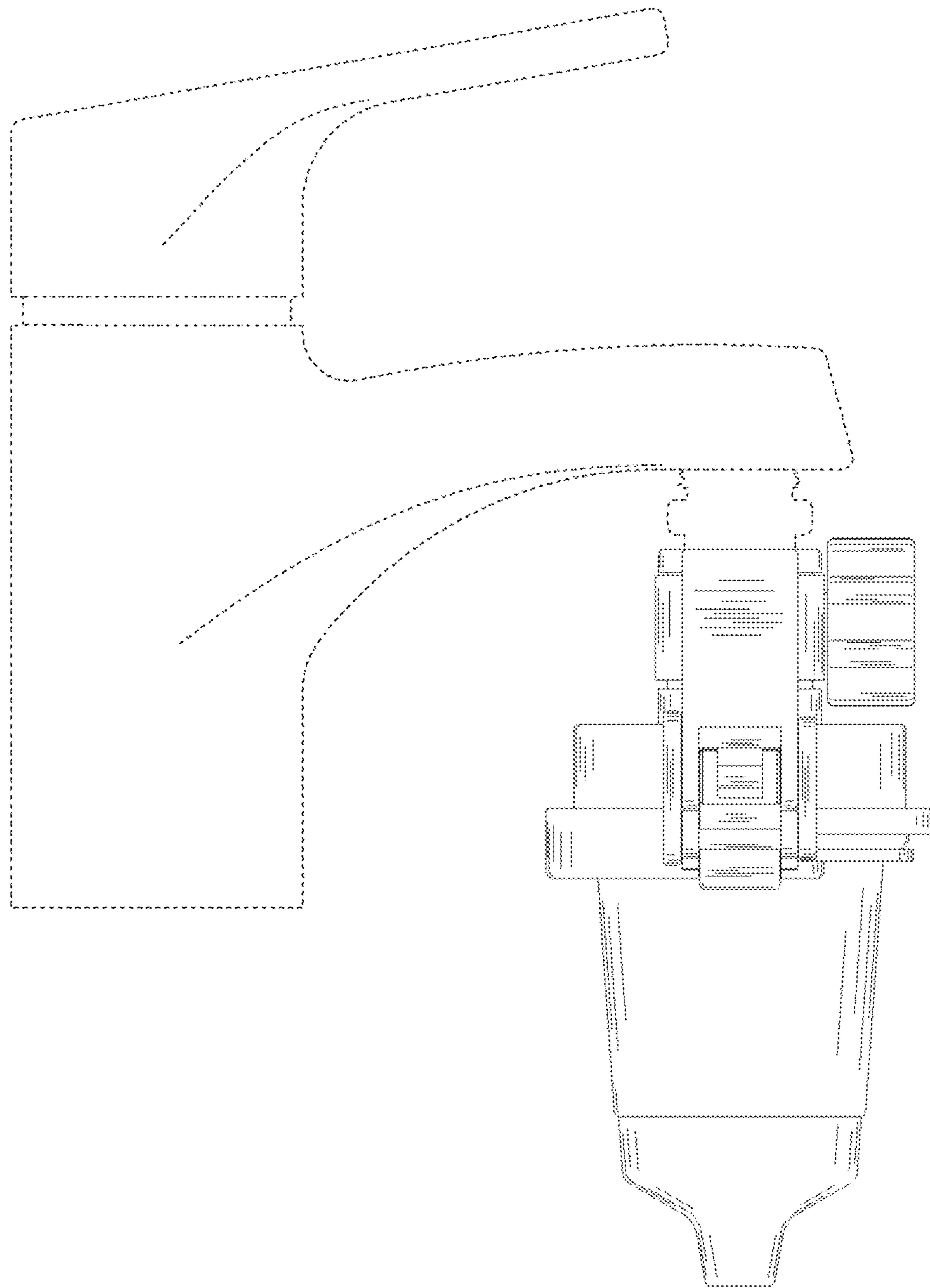


**FIG. 6**

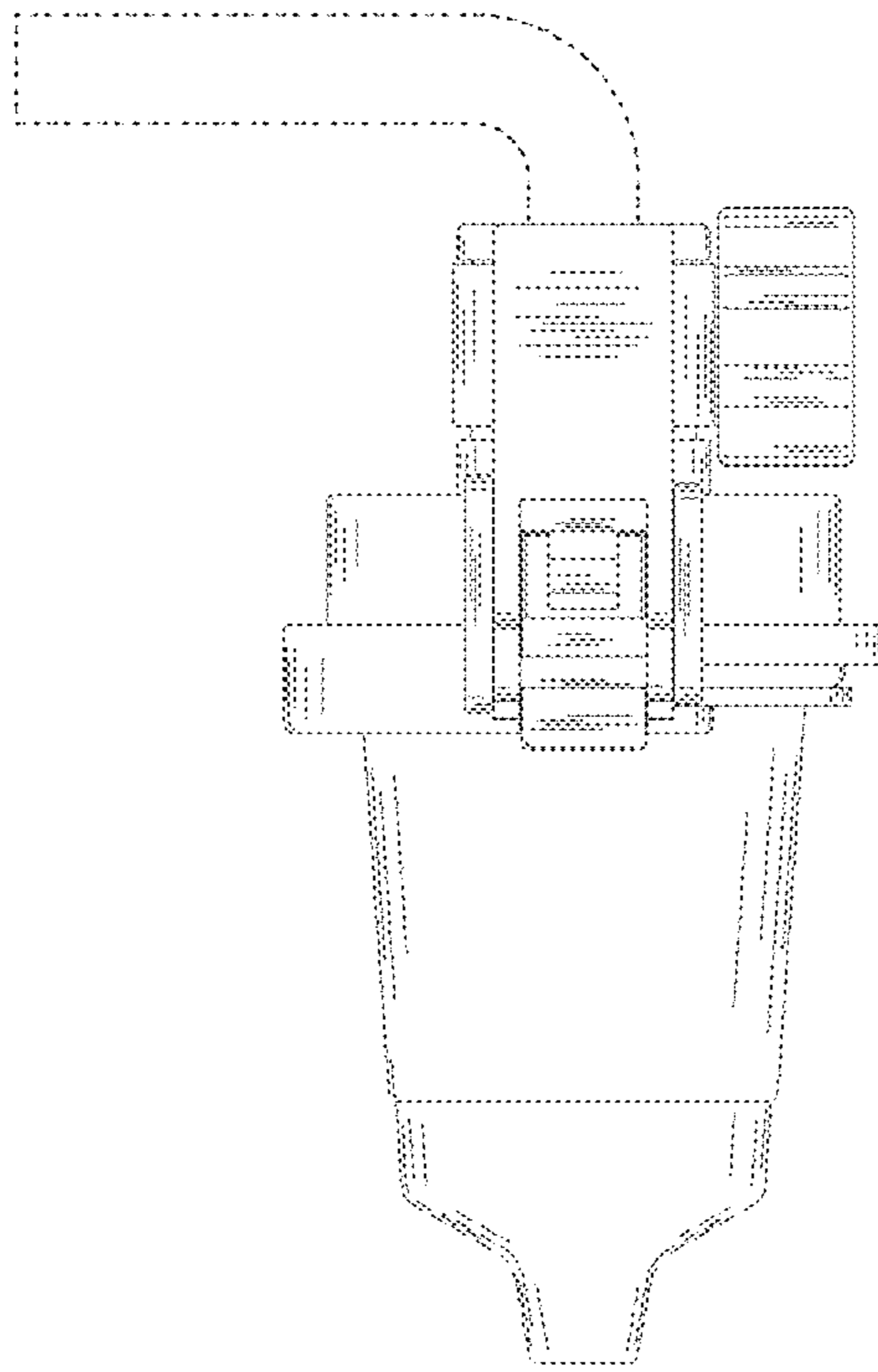


**FIG. 7**





**FIG. 8**



**FIG. 9**