



US00D794382S

(12) **United States Design Patent** (10) **Patent No.:** **US D794,382 S**
Vu et al. (45) **Date of Patent:** **** Aug. 15, 2017**

(54) **IMMERSION BLENDER ATTACHMENT**

4/423; B02C 13/1835; B28C 5/10; B28C 5/12; B28C 5/14; B28C 5/16

(71) Applicant: **DE'LONGHI BRAUN HOUSEHOLD GMBH**, Neu-Isenburg (DE)

See application file for complete search history.

(72) Inventors: **Duy P. Vu**, Schwalbach am Taunus (DE); **Dennis Muller**, Frankfurt am Main (DE); **Markus Orthey**, Eltville am Rhein (DE); **Britta Stockinger**, Frankfurt am Main (DE); **Sven Wuttig**, Griesheim (DE)

(56) **References Cited**

U.S. PATENT DOCUMENTS

D383,938 S *	9/1997	Littmann	D7/376
D425,368 S *	5/2000	Littmann	D7/412
D426,105 S *	6/2000	Littmann	D7/376
D510,837 S *	10/2005	Lloyd	D7/376
D534,032 S *	12/2006	Lloyd	D7/380
D645,306 S *	9/2011	Lownds	D7/376
D649,394 S *	11/2011	Grabes	D7/376
D662,765 S *	7/2012	Grabes	D7/376
D663,573 S *	7/2012	Nordwall	D7/376
D667,682 S *	9/2012	Agren	D7/376
D668,911 S *	10/2012	Bachmann	D7/376
D695,565 S *	12/2013	Verbrugge	D7/376
D726,496 S *	4/2015	Vu	D7/376

(73) Assignee: **De'Longhi Braun Household GMBH**, Neu-Isenburg (DE)

(**) Term: **15 Years**

* cited by examiner

(21) Appl. No.: **29/556,088**

Primary Examiner — Ricky Pham

(22) Filed: **Feb. 26, 2016**

(74) *Attorney, Agent, or Firm* — Goodwin Procter LLP

(30) **Foreign Application Priority Data**

Aug. 26, 2015 (EP) 002760900

(51) **LOC (10) Cl.** **31-00**

(52) **U.S. Cl.**
USPC **D7/380; D7/376; D7/379**

(58) **Field of Classification Search**
USPC D7/372, 376-386, 412-413, 602, 629, D7/665-666, 669, 679, 693-694
CPC A21C 1/02; A21C 1/04; A23N 1/00; A23N 1/02; A47J 43/04; A47J 43/25; A47J 43/27; A47J 43/042; A47J 43/044; A47J 43/046; A47J 43/075; A47J 43/0722; A47J 43/0727; B01F 3/00; B01F 3/0807; B01F 3/0853; B01F 13/0059; B01F 13/0064; B02C 1/08; B02C 2/04; B02C 4/42; B02C 4/142; B02C 4/143; B02C

(57) **CLAIM**

The ornamental design for an immersion blender attachment, as shown and described.

DESCRIPTION

FIG. 1 is a top perspective view of an immersion blender attachment;
FIG. 2 is a front view of the immersion blender attachment;
FIG. 3 is a rear view of the immersion blender attachment;
FIG. 4 is a right side view of the immersion blender attachment;
FIG. 5 is a left side view of the immersion blender attachment;
FIG. 6 is a top view of the immersion blender attachment;
FIG. 7 is a bottom view of the immersion blender attachment; and,

(Continued)

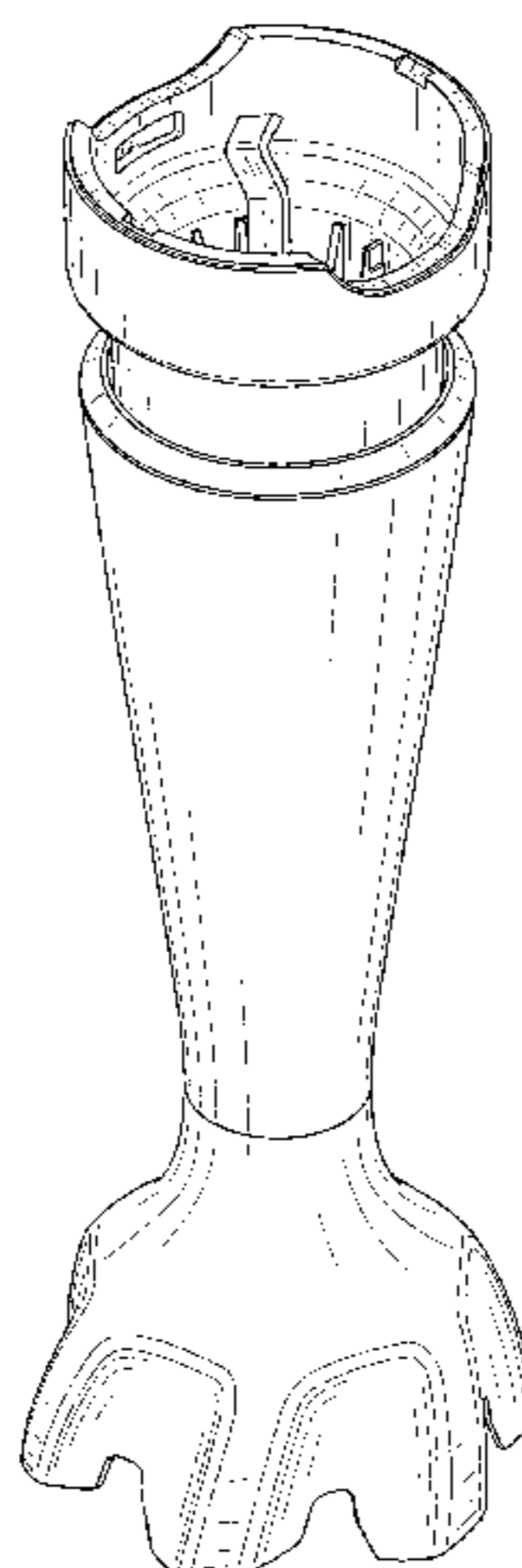


FIG. 8 is a bottom perspective view of the immersion blender attachment.

1 Claim, 5 Drawing Sheets

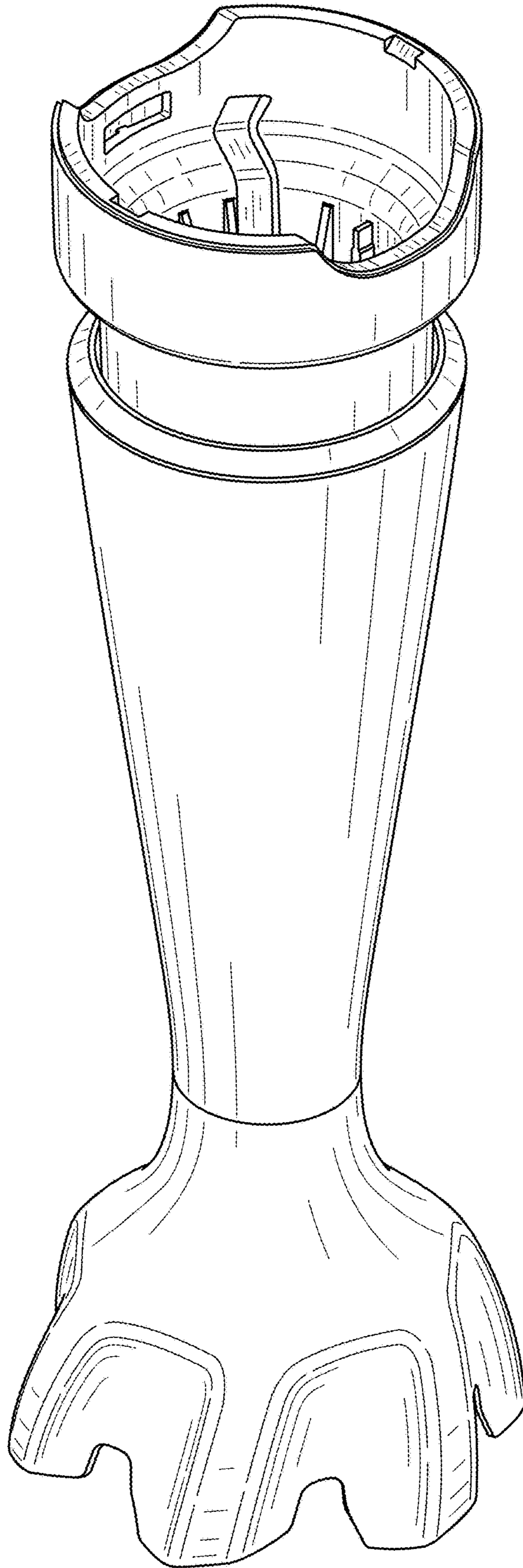


FIG. 1

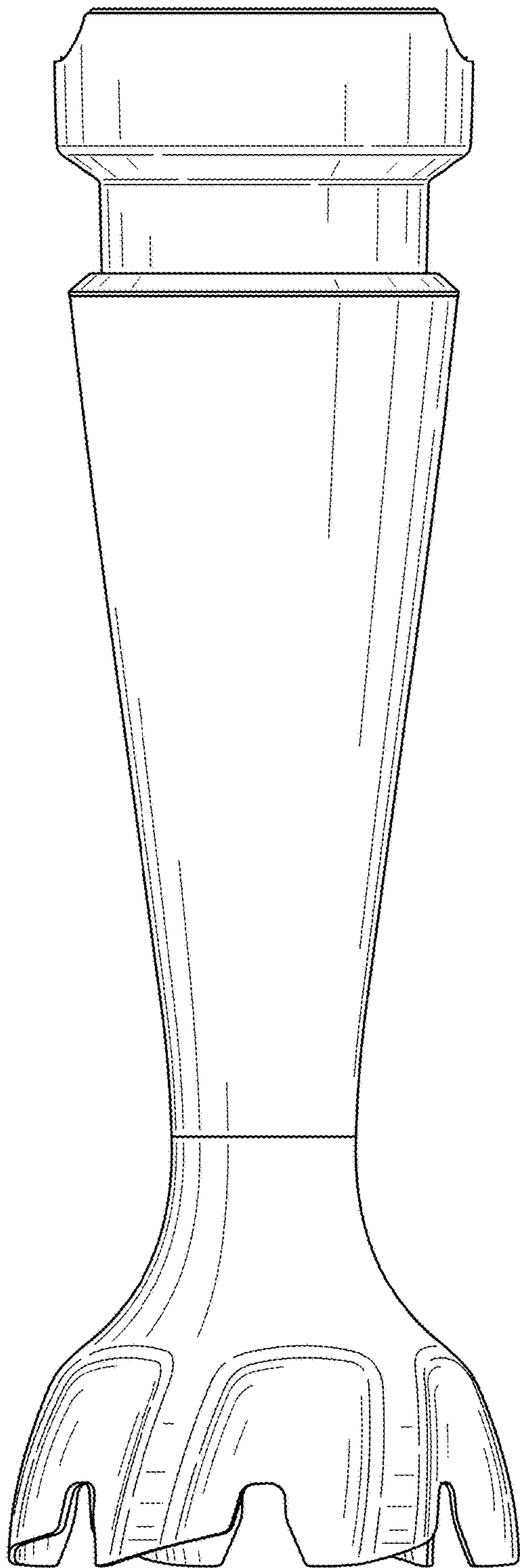


FIG. 2

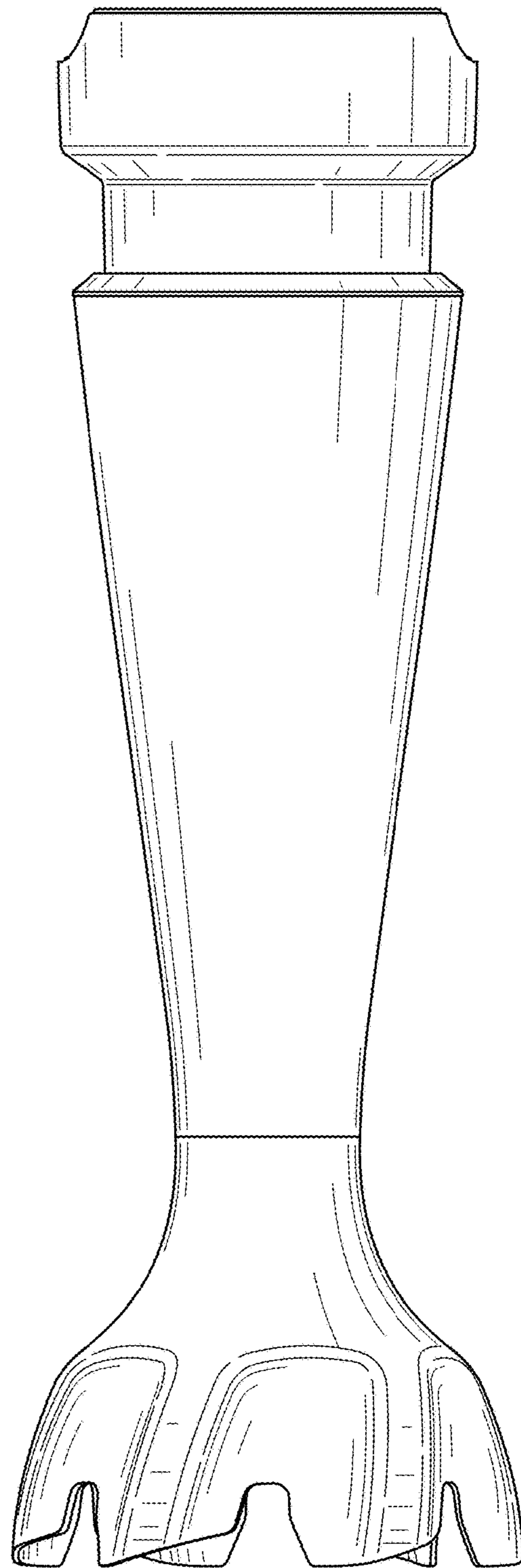


FIG. 3

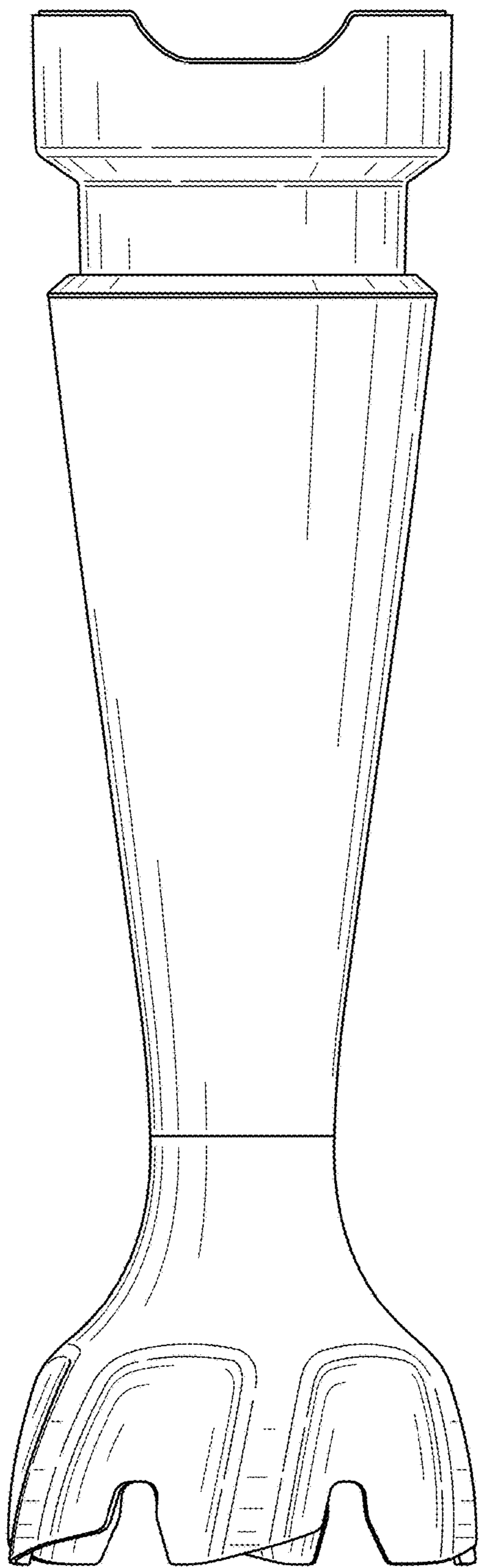


FIG. 4

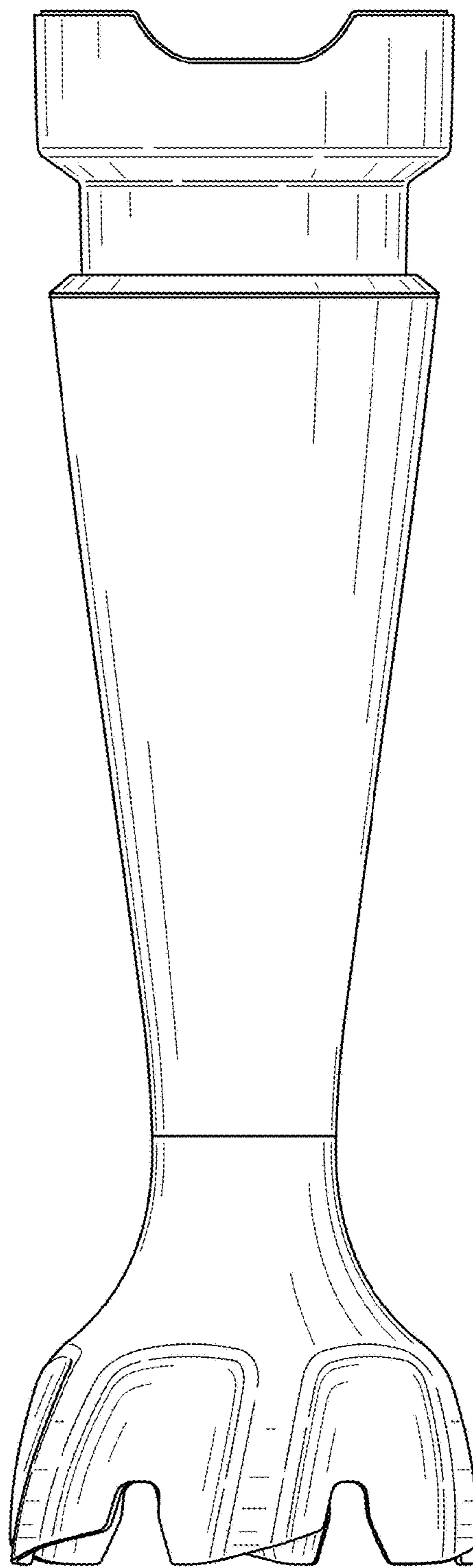


FIG. 5

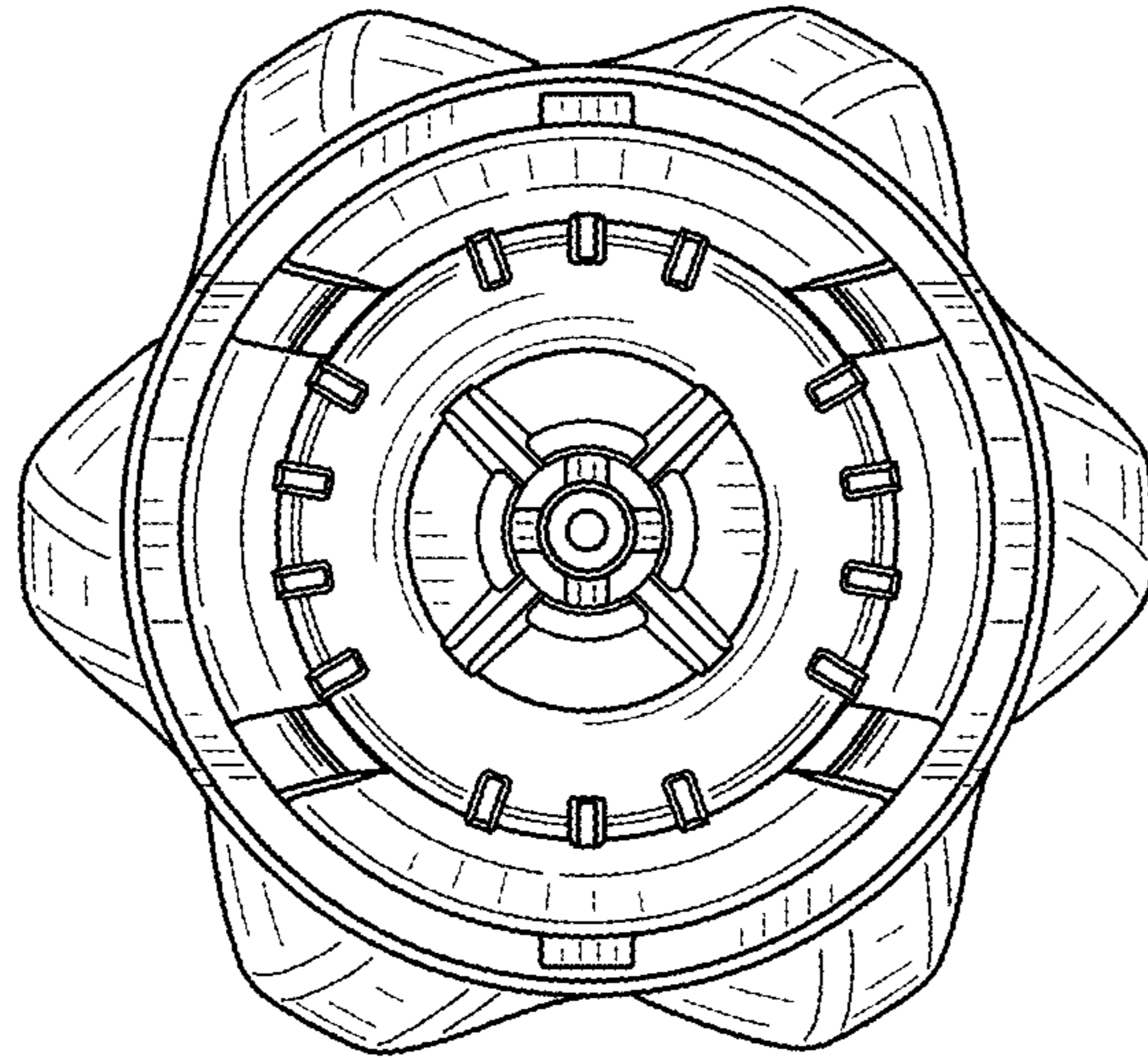


FIG. 6

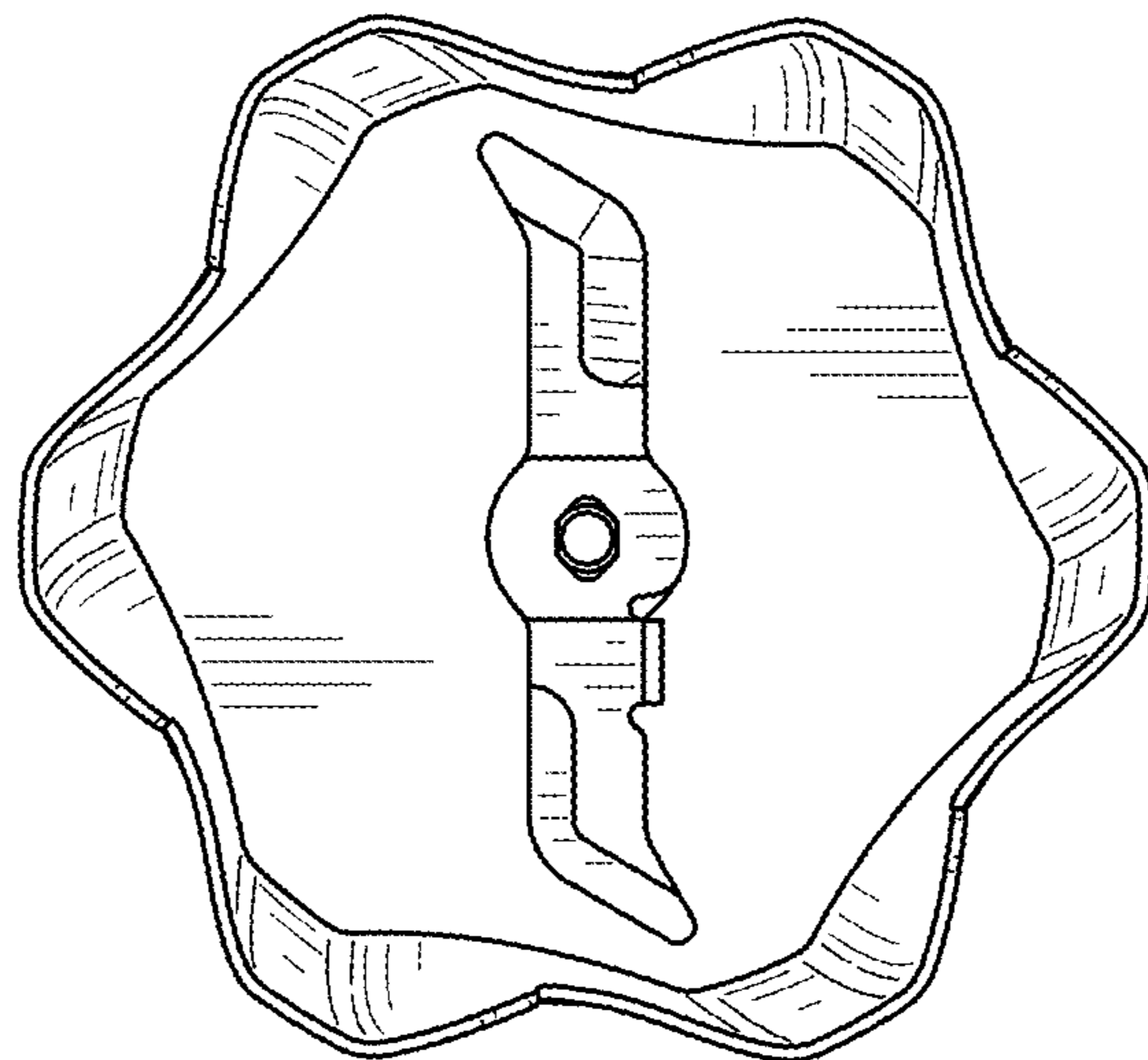


FIG. 7

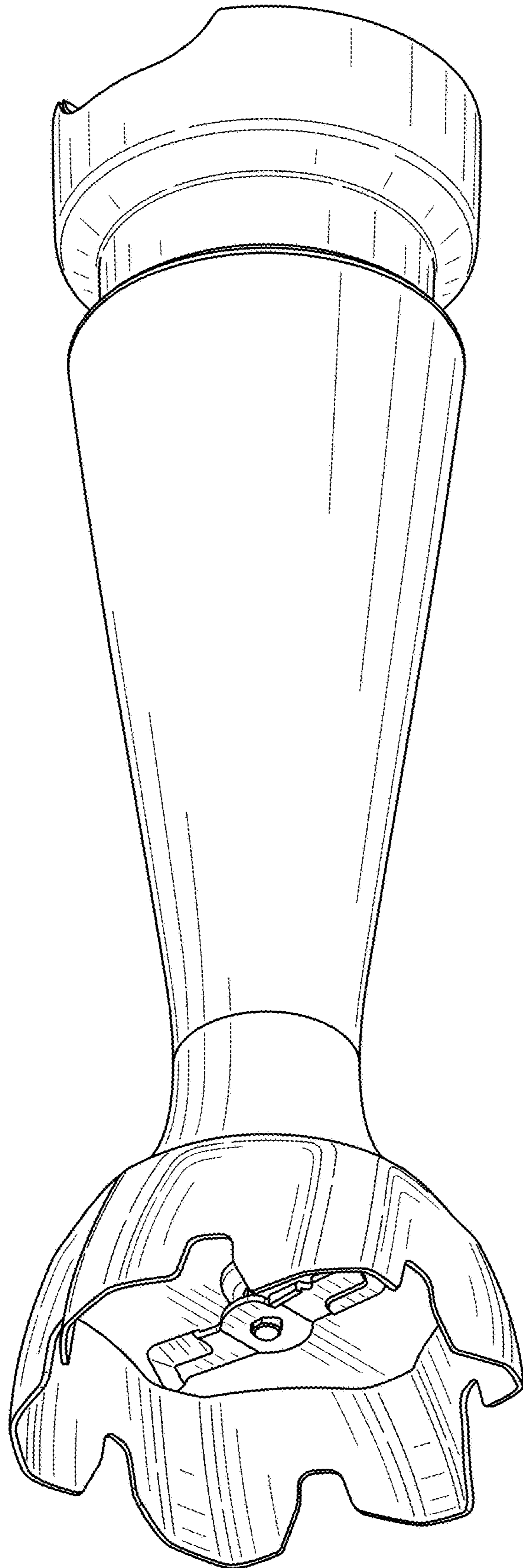


FIG. 8