



US00D794381S

(12) **United States Design Patent**
McConnell et al.

(10) **Patent No.:** **US D794,381 S**

(45) **Date of Patent:** **** Aug. 15, 2017**

(54) **BLENDER**

(71) Applicant: **WHIRLPOOL CORPORATION**,
Benton Harbor, MI (US)

(72) Inventors: **John W. McConnell**, St. Joseph, MI
(US); **Brandon T. Mock**, St. Joseph,
MI (US); **Zhaoyi Yin**, Benton Harbor,
MI (US)

(73) Assignee: **Whirlpool Corporation**, Benton
Harbor, MI (US)

(**) Term: **15 Years**

(21) Appl. No.: **29/579,716**

(22) Filed: **Oct. 3, 2016**

Related U.S. Application Data

(62) Division of application No. 29/519,329, filed on Mar.
4, 2015, now Pat. No. Des. 772,009.

(51) **LOC (10) Cl.** **31-00**

(52) **U.S. Cl.**
USPC **D7/378; D7/376; D7/386; D7/412**

(58) **Field of Classification Search**

USPC D7/372, 376-386, 412-413, 602, 629,
D7/665-666, 669, 679, 693-694
CPC A21C 1/02; A21C 1/04; A23N 1/00; A23N
1/02; A47J 43/04; A47J 43/25; A47J
43/27; A47J 43/042; A47J 43/044; A47J
43/046; A47J 43/075; A47J 43/0722;
A47J 43/0727; B01F 3/00; B01F 3/0807;
B01F 3/0853; B01F 13/0059; B01F
13/0064; B02C 1/08; B02C 2/04; B02C
4/42; B02C 4/142; B02C 4/143; B02C
4/423; B02C 13/1835; B28C 5/10; B28C
5/12; B28C 5/14; B28C 5/16

See application file for complete search history.

(56) **References Cited**

U.S. PATENT DOCUMENTS

2,304,476 A	12/1942	Poplawski	
D176,257 S	12/1955	Hill	
D181,541 S	11/1957	Madl	
D187,684 S	4/1960	Hauser	
D200,494 S	3/1965	Bezark, Jr.	
D347,966 S *	6/1994	Doggett	D7/378
5,323,973 A	6/1994	Ferrara, Jr.	
5,655,834 A	8/1997	Dickson	
5,957,577 A	9/1999	Dickson et al.	
D424,865 S	5/2000	Crescenzi et al.	
D484,357 S	12/2003	Seum	
D553,426 S *	10/2007	Lin	D7/378
7,520,663 B1	4/2009	Kolar et al.	

(Continued)

FOREIGN PATENT DOCUMENTS

WO 2005051149 6/2005

Primary Examiner — Ricky Pham

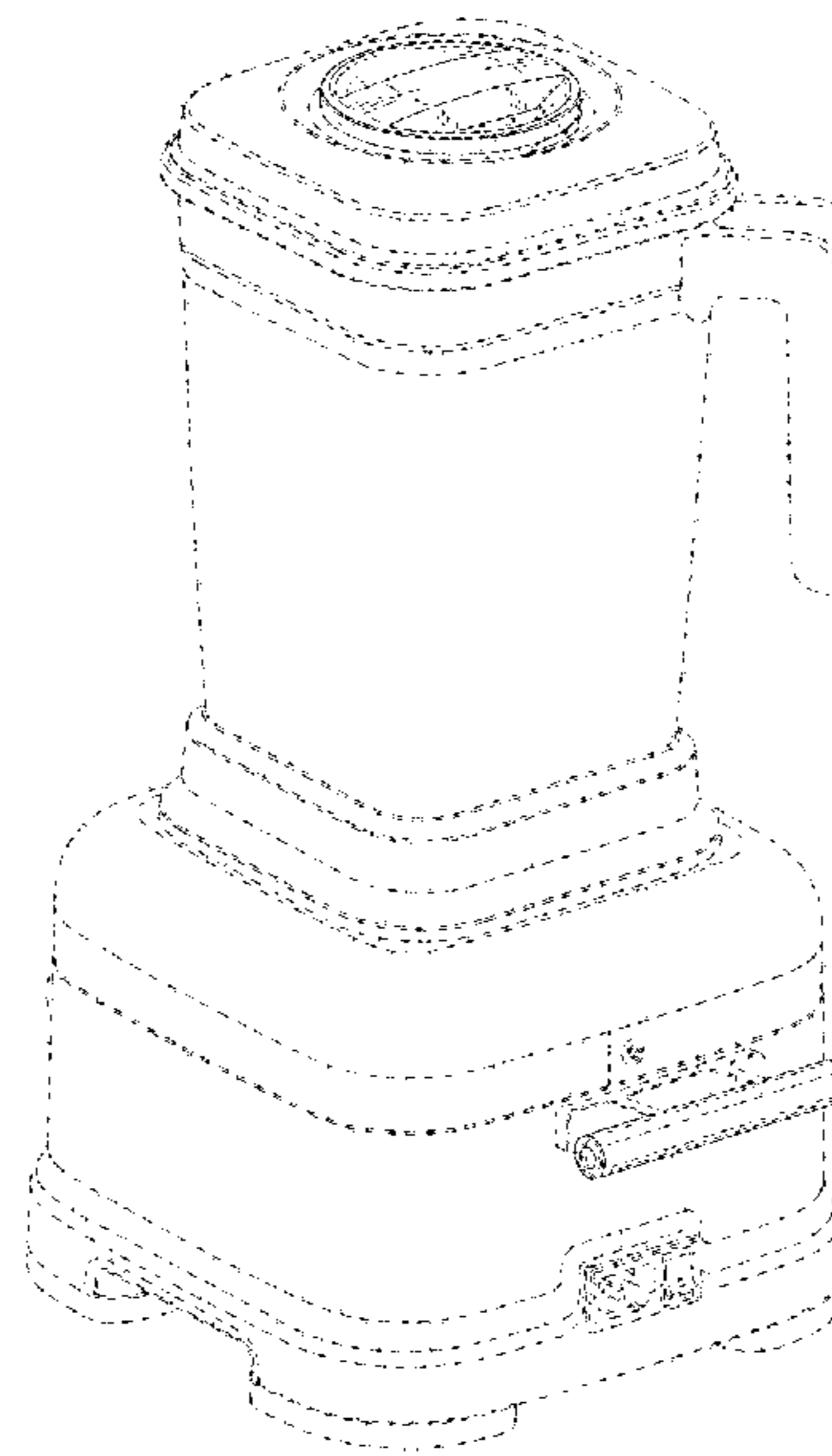
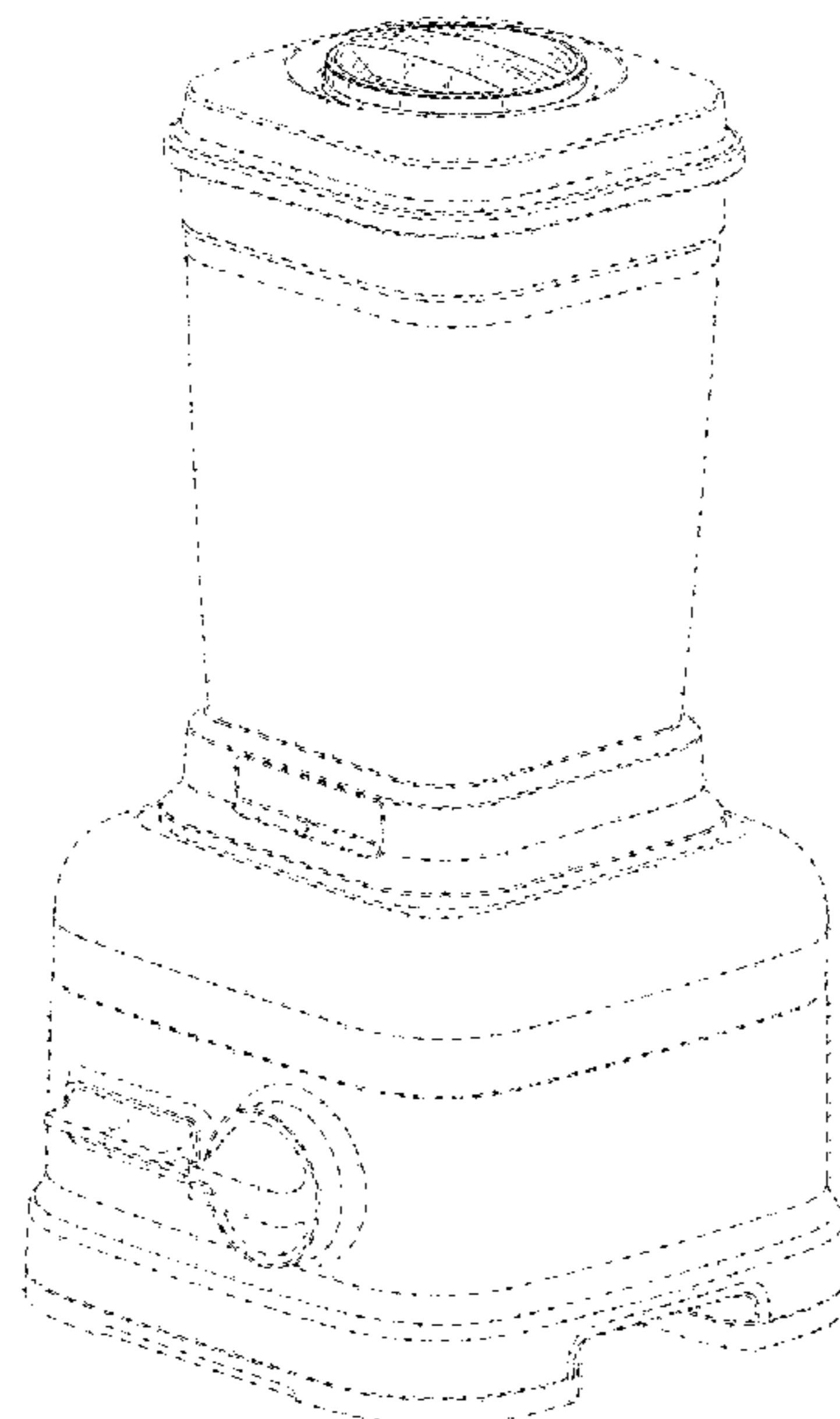
(57) **CLAIM**

We claim the ornamental design for a blender, as shown and described.

DESCRIPTION

FIG. 1 is a front perspective view of the blender of the present invention;
FIG. 2 is a rear perspective view of the blender of FIG. 1;
FIG. 3 is a front elevation view of the blender of FIG. 1;
FIG. 4 is a rear elevation view of the blender of FIG. 1;
FIG. 5 is a first-side elevation view of the blender of FIG. 1;
FIG. 6 is a second-side elevation view of the blender of FIG. 1;
FIG. 7 is a top plan view of the blender of FIG. 1; and,
FIG. 8 is a bottom plan view of the blender of FIG. 1.
The broken lines shown in the drawings are for illustrative purposes only and form no part of the claimed design.

1 Claim, 7 Drawing Sheets



(56)

References Cited

U.S. PATENT DOCUMENTS

D594,697	S	6/2009	Lavy	
D595,087	S	6/2009	Metaxatos et al.	
D616,244	S	5/2010	Thai	
7,712,951	B2	5/2010	Bohannon, Jr. et al.	
D631,282	S	1/2011	Ferraby	
7,871,195	B2	1/2011	Larsen et al.	
D642,858	S	8/2011	Lazzer	
8,087,603	B2	1/2012	Kolar et al.	
8,287,180	B2	10/2012	Kolar et al.	
8,360,480	B2	1/2013	Athey et al.	
D711,682	S	8/2014	Norland	
D728,302	S *	5/2015	Vu	D7/376
D731,234	S	6/2015	Weaden	
D747,135	S	1/2016	Ha	
D749,893	S *	2/2016	Bazzicalupo	D7/376
D755,004	S	5/2016	Bock	
D761,617	S *	7/2016	Dennisur	D7/376
D769,061	S *	10/2016	Diderotto	D7/376
D770,225	S *	11/2016	McConnell	D7/376
D770,226	S *	11/2016	McConnell	D7/376
D772,008	S *	11/2016	McConnell	D7/376
D772,009	S *	11/2016	McConnell	D7/376
2005/0152215	A1	7/2005	Stuart et al.	
2008/0089170	A1	4/2008	Larsen et al.	
2009/0260523	A1	10/2009	Peng	

* cited by examiner

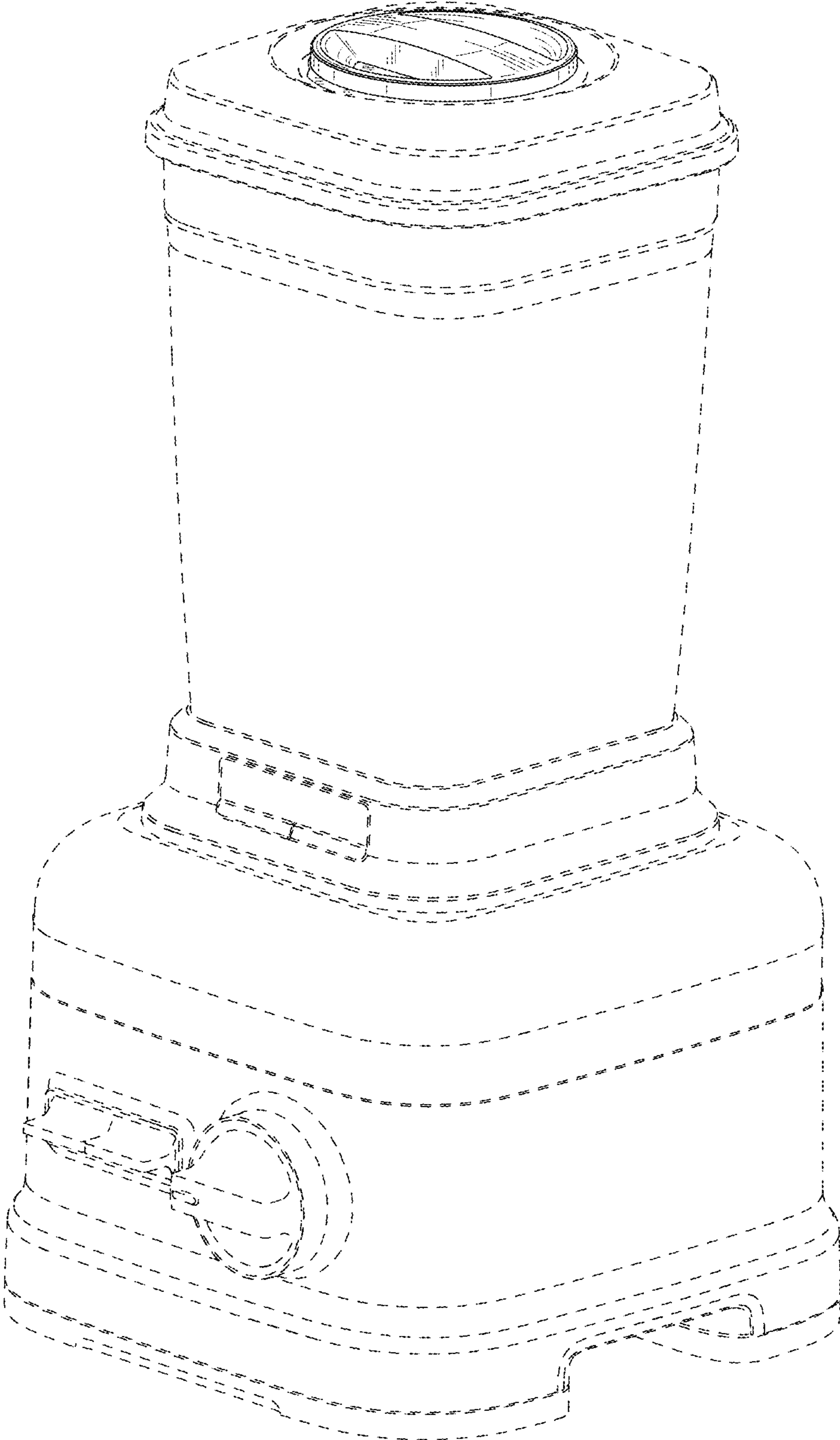


FIG. 1

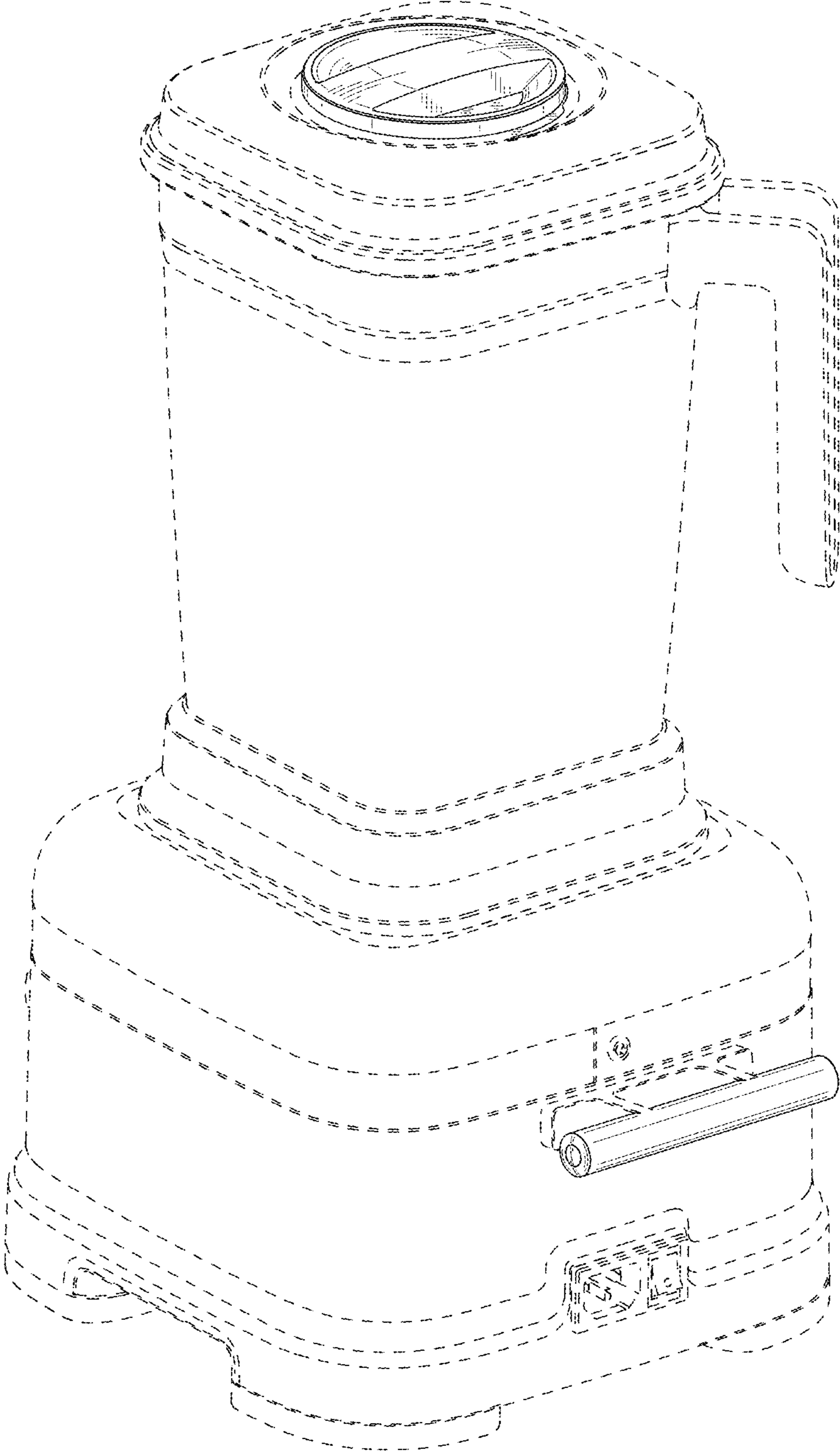


FIG. 2

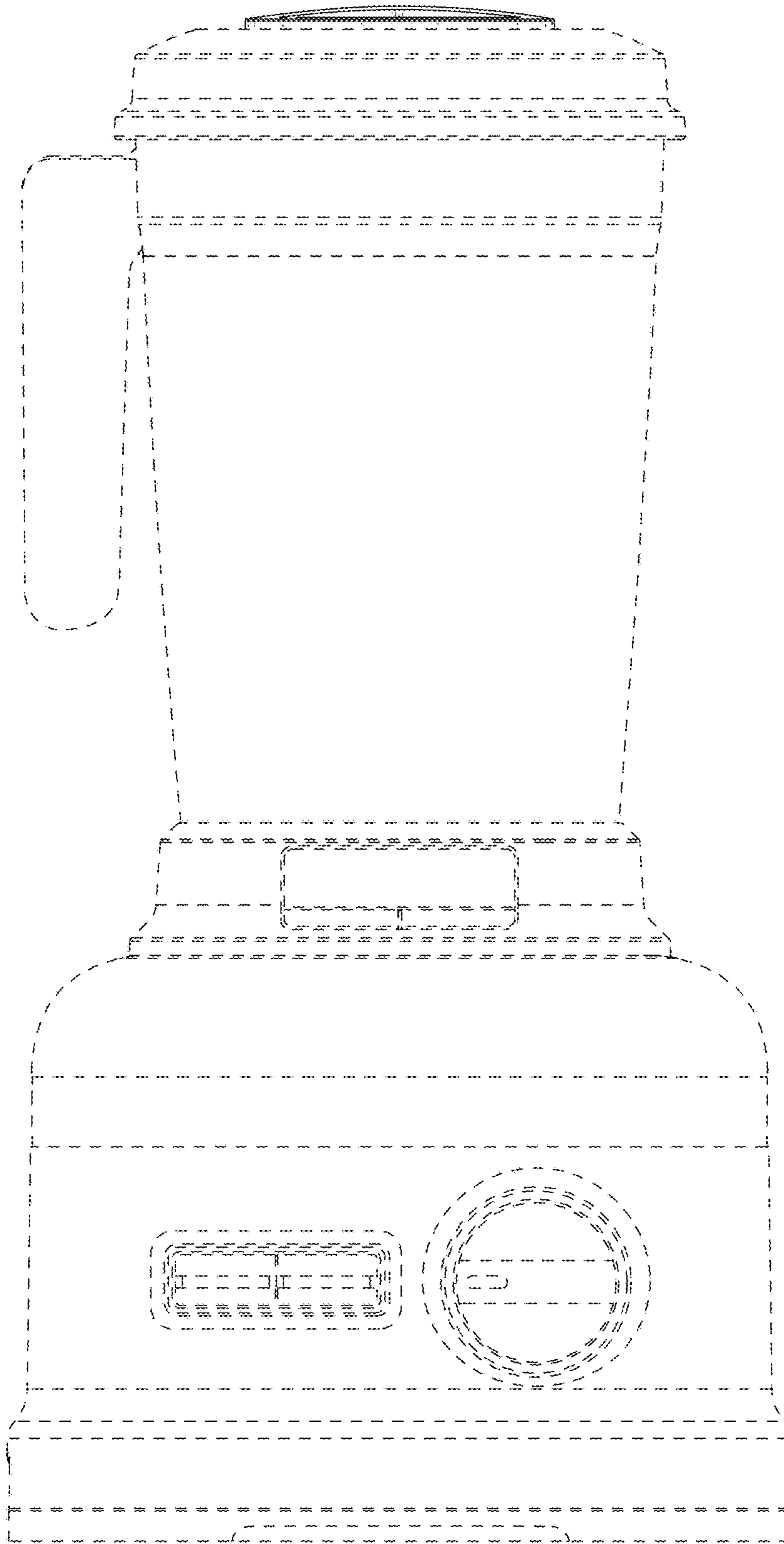


FIG. 3

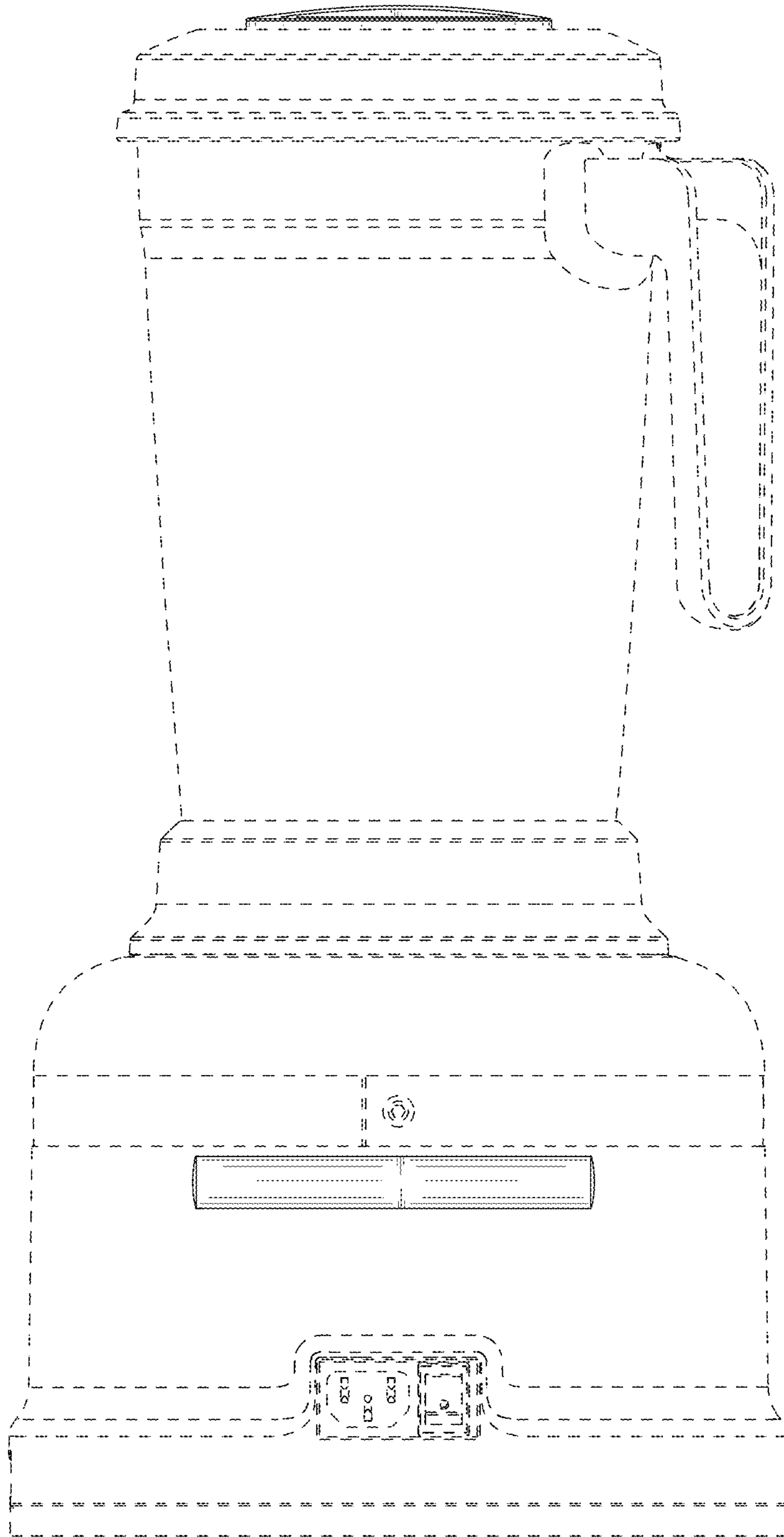


FIG. 4

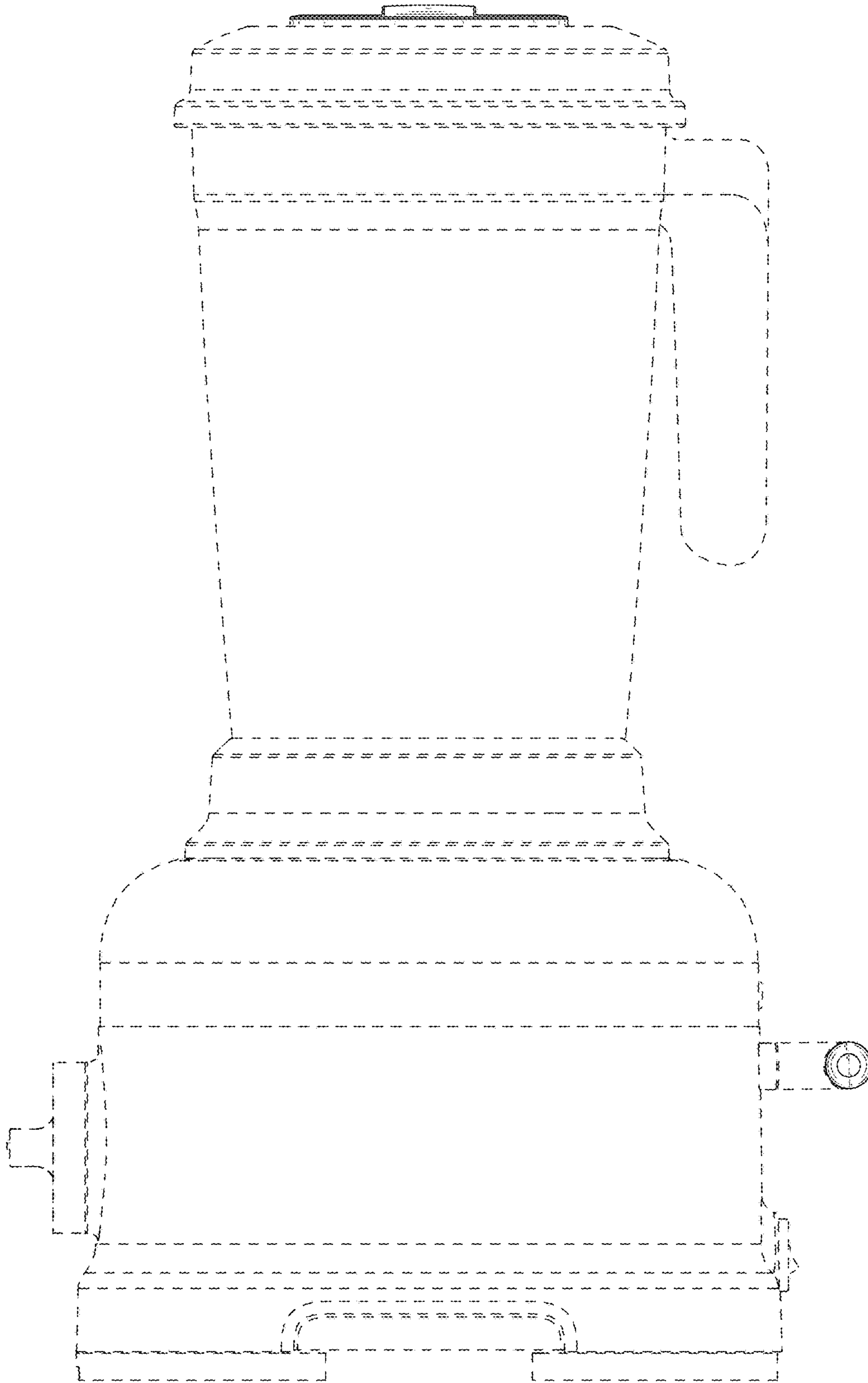


FIG. 5

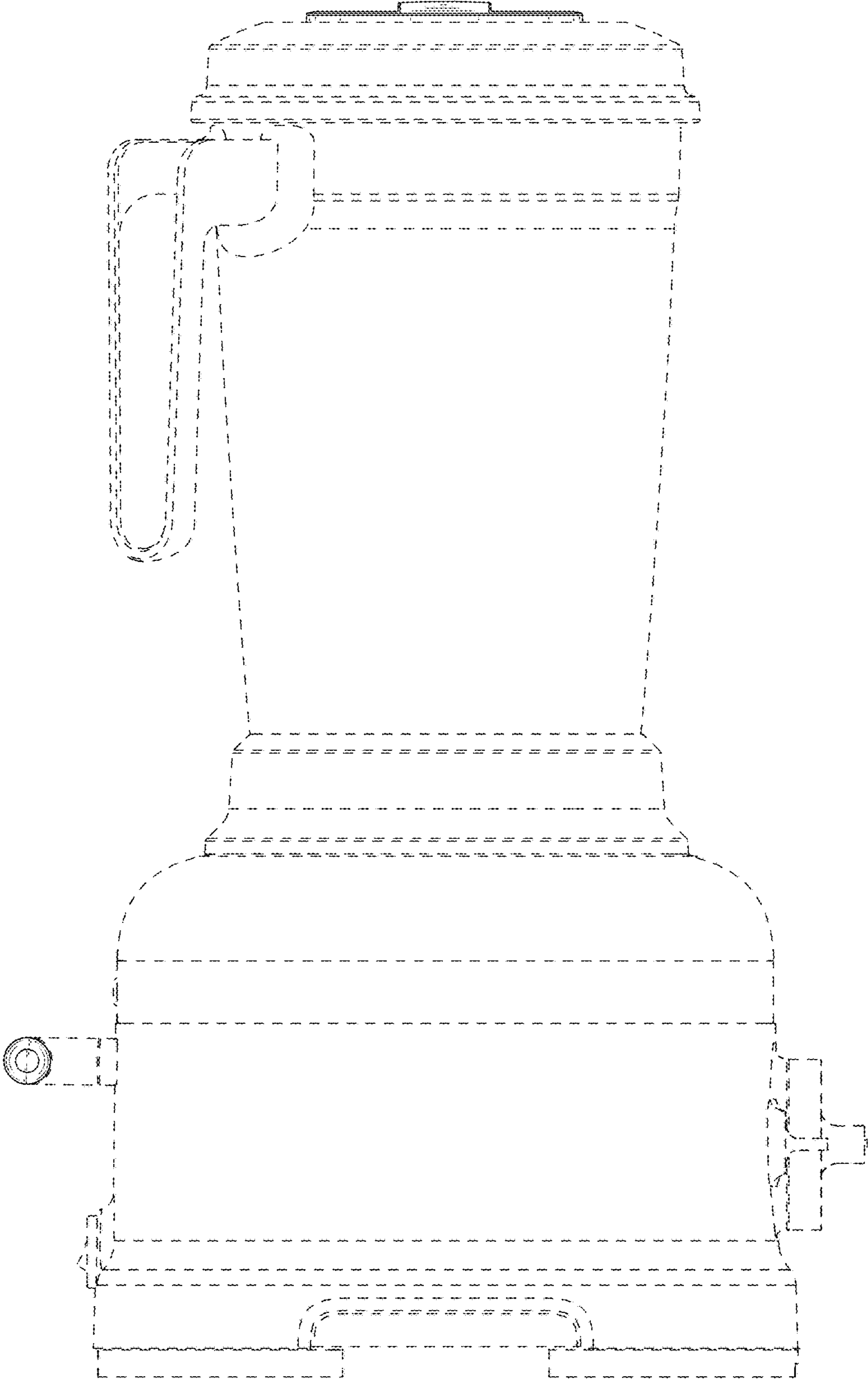


FIG. 6

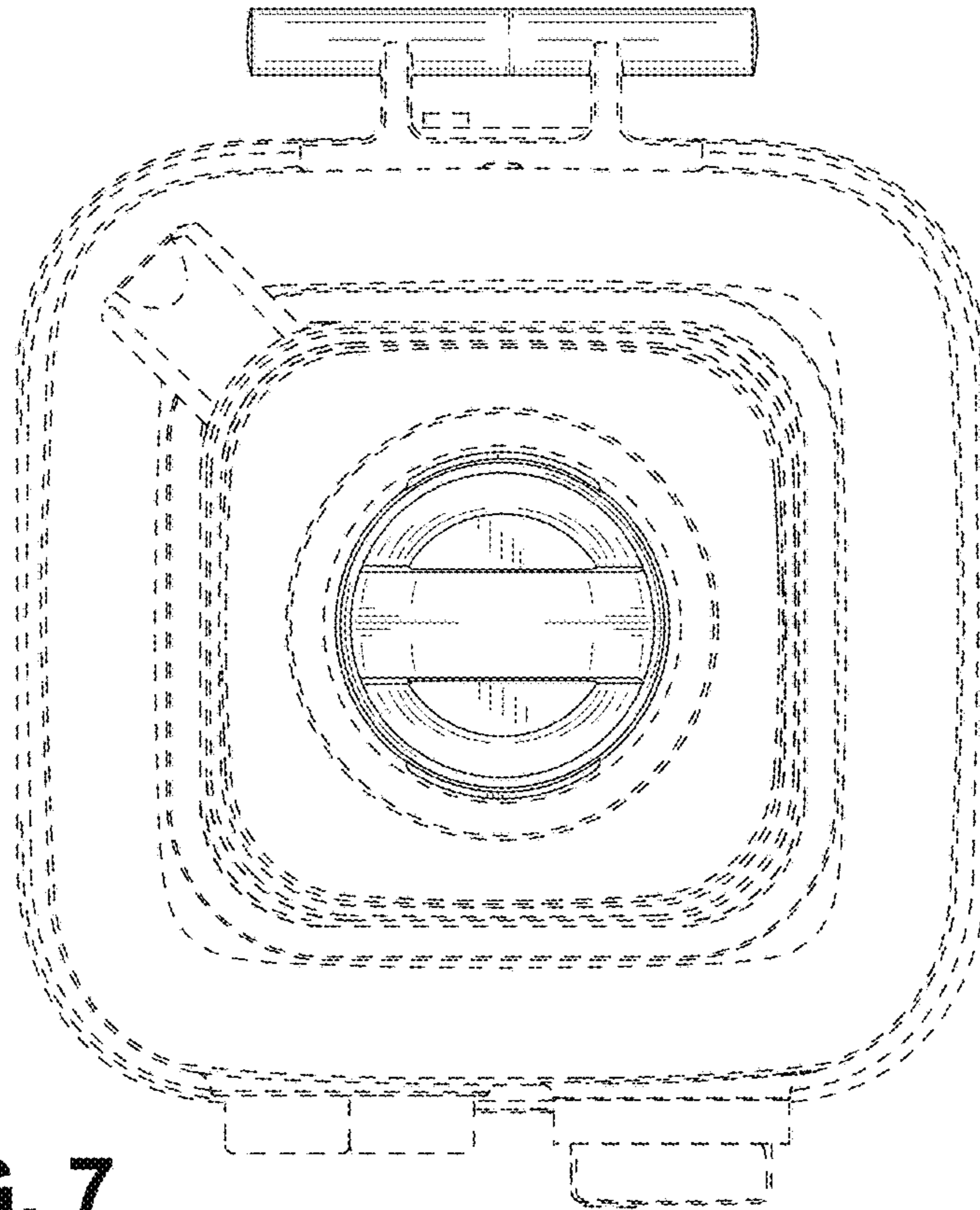


FIG. 7

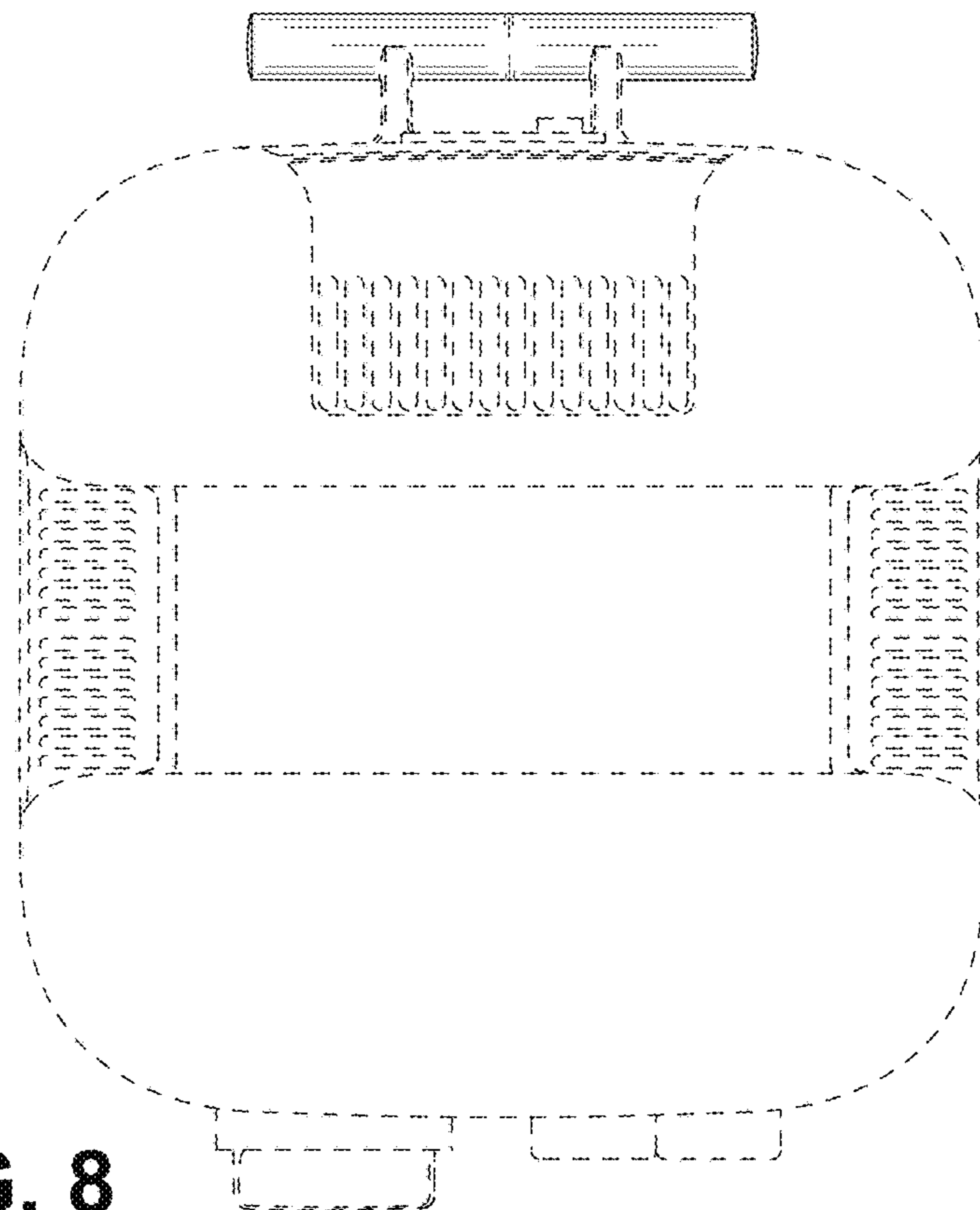


FIG. 8