



US00D794380S

(12) **United States Design Patent**
Rodriguez

(10) **Patent No.:** **US D794,380 S**

(45) **Date of Patent:** **** Aug. 15, 2017**

(54) **COOKING POT WITH LID**

(71) Applicant: **Jorge Rodriguez**, Easton, PA (US)

(72) Inventor: **Jorge Rodriguez**, Easton, PA (US)

(**) Term: **15 Years**

(21) Appl. No.: **29/553,474**

(22) Filed: **Feb. 2, 2016**

(51) **LOC (10) Cl.** **07-02**

(52) **U.S. Cl.**
USPC **D7/360**

(58) **Field of Classification Search**

USPC D7/350.1, 323, 327-332, 334-341,
D7/347-348, 351-363, 391, 393-396,
D7/409; D6/674

CPC A47G 19/06; A47G 19/12; A47J 27/00;
A47J 27/002; A47J 27/08; A47J 27/21;
A47J 27/58; A47J 36/025; A47J 36/06;
A47J 36/12; A47J 36/26; A47J 37/00;
A47J 37/10; A47J 37/101; A47J 37/103;
A47J 37/108; A47J 37/12; A47J 37/1204;
A47J 45/061; A47J 45/071; A47J 45/08;
A63H 33/3055; B65D 81/3222; H05B
6/12

See application file for complete search history.

(56) **References Cited**

U.S. PATENT DOCUMENTS

- 1,447,813 A 3/1923 Patrick
- 2,808,175 A * 10/1957 Aiken A47J 36/10
220/379
- 3,847,068 A 11/1974 Beer
- D252,311 S * 7/1979 Prussi D7/360
- 4,768,427 A 9/1988 Cheng
- 5,193,441 A * 3/1993 Hayashi A47J 36/165
99/348
- D368,828 S * 4/1996 Thurlow D7/360
- 5,628,426 A 5/1997 Doyle
- D414,981 S 10/1999 Roskind
- 6,439,110 B1 8/2002 Lin
- D487,212 S * 3/2004 Park D7/360

- D562,621 S * 2/2008 Kloppsteck D7/360
- D568,677 S * 5/2008 Stattmann D7/360
- D572,523 S * 7/2008 Baker D7/360
- D580,213 S * 11/2008 Pawson D7/360
- D599,164 S * 9/2009 Hoekstra D7/360
- D612,192 S * 3/2010 Zucchi D7/354

(Continued)

FOREIGN PATENT DOCUMENTS

- CN 203987494 U 12/2014
- JP 2003275097 A * 9/2003

(Continued)

OTHER PUBLICATIONS

T-fal A92280 Specialty Total Nonstick Dishwasher Safe Oven Safe Stockpot Cookware, 12-Quart, Black, posted at Amazon.com, posted on Sep. 14, 2004, site visited Jan. 28, 2017, <https://www.amazon.com/T-fal-Specialty-Nonstick-Dishwasher-Stockpot/dp/B000GWK34K/ref=sr_1_2?ie=UTF8&qid=1485632926&sr=8-2&keywords=stock+pot+with+lid>.*

(Continued)

Primary Examiner — Barbara Fox
Assistant Examiner — Messina L Smith

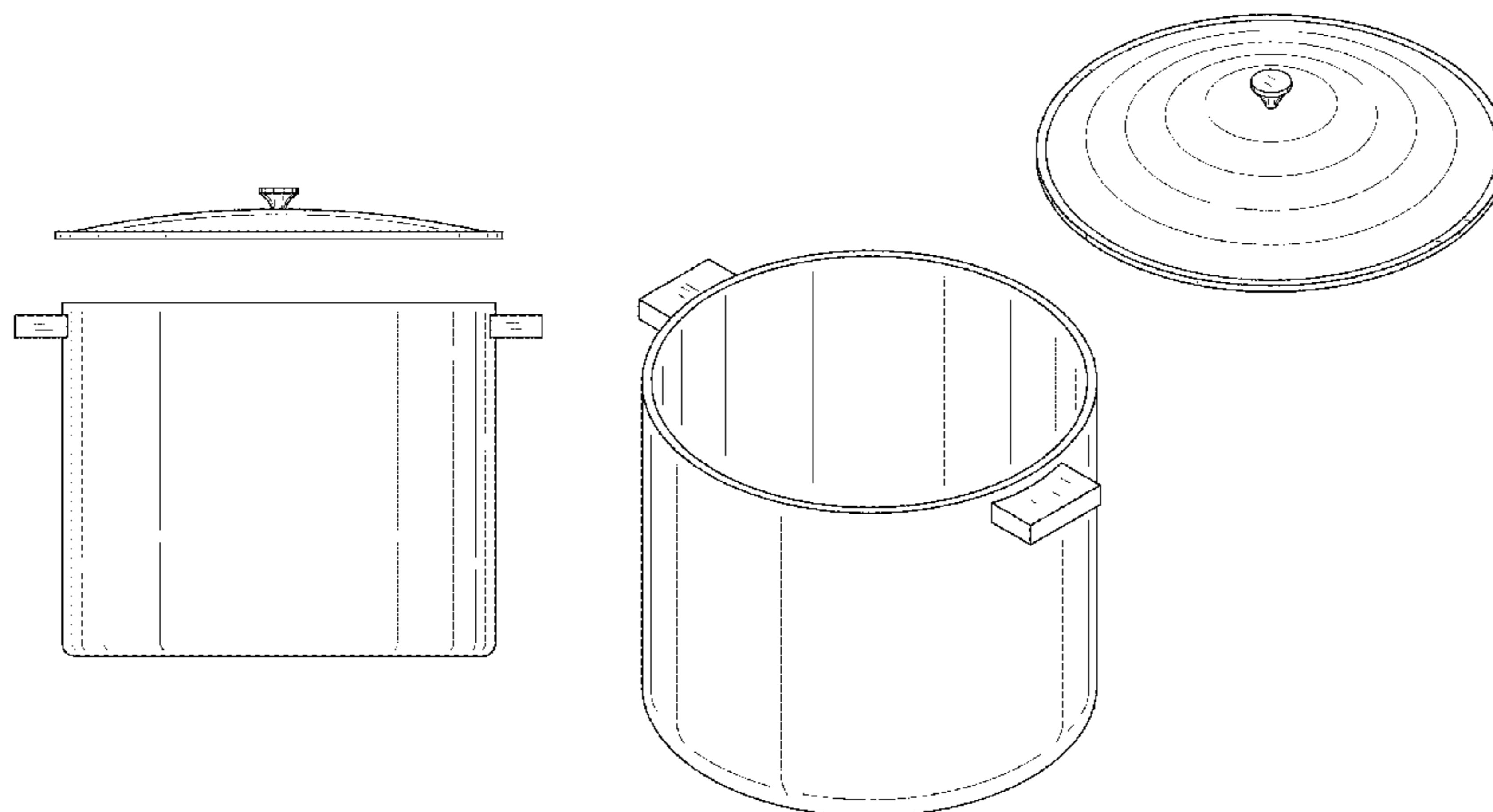
(57) **CLAIM**

I claim the ornamental design for a cooking pot with lid, as shown and described.

DESCRIPTION

FIG. 1 is a front view of the cooking pot with lid showing my new design, with the lid shown removed for ease of illustration.
FIG. 2 is a side view thereof.
FIG. 3 is a top view thereof.
FIG. 4 is a bottom view thereof.
FIG. 5 is a perspective view thereof; and,
FIG. 6 is a cross-sectional view of the cooking pot taken in the direction of line 6-6 of FIG. 2.

1 Claim, 6 Drawing Sheets



(56)

References Cited

U.S. PATENT DOCUMENTS

D618,491 S * 6/2010 Welk D7/354
 D639,602 S * 6/2011 Bodum D7/354
 D643,681 S * 8/2011 Bodum D7/395
 D653,073 S * 1/2012 Difante D7/354
 D658,425 S * 5/2012 Difante D7/354
 D687,256 S * 8/2013 Difante D7/354
 D687,257 S * 8/2013 DiFante D7/354
 8,689,680 B2 * 4/2014 Park A47J 27/022
 126/274
 D749,891 S * 2/2016 Pujols D7/354
 D764,857 S * 8/2016 McConnell D7/354
 2006/0117962 A1 * 6/2006 Hoekstra A47J 36/16
 99/403
 2011/0192835 A1 * 8/2011 Lee H05B 6/12
 219/621
 2013/0125765 A1 * 5/2013 Difante A47J 36/20
 99/403
 2015/0196153 A1 * 7/2015 Sykes A47J 36/20
 210/256
 2015/0196157 A1 * 7/2015 Swisth A47J 27/13
 220/573.1

FOREIGN PATENT DOCUMENTS

JP 2004089634 A * 3/2004
 JP 2011136026 A * 7/2011

OTHER PUBLICATIONS

Excelsteel 16 Quart Stainless Steel Stockpot With Encapsulated Base, posted at Amazon.com, posted on Nov. 8, 2009, site visited Jan. 28, 2017, <https://www.amazon.com/Excelsteel-Quart-Stainless-Stockpot-Encapsulated/dp/B0030T1KR0/ref=sr_1_4?ie=UTF8&qid=1485632926&sr=8-4&keywords=stock+pot+with+lid>.*
 Cook N Home Nonstick Stockpot with Lid, 10.5 quart, Blue, posted at Amazon.com, posted on Feb. 23, 2016, site visited Jan. 28, 2017, <https://www.amazon.com/Cook-Home-Nonstick-Stockpot-quart/dp/B01C5FN0Q8/ref=sr_1_11?ie=UTF8&qid=1485632926&sr=8-11&keywords=stock+pot+with+lid>.*

* cited by examiner

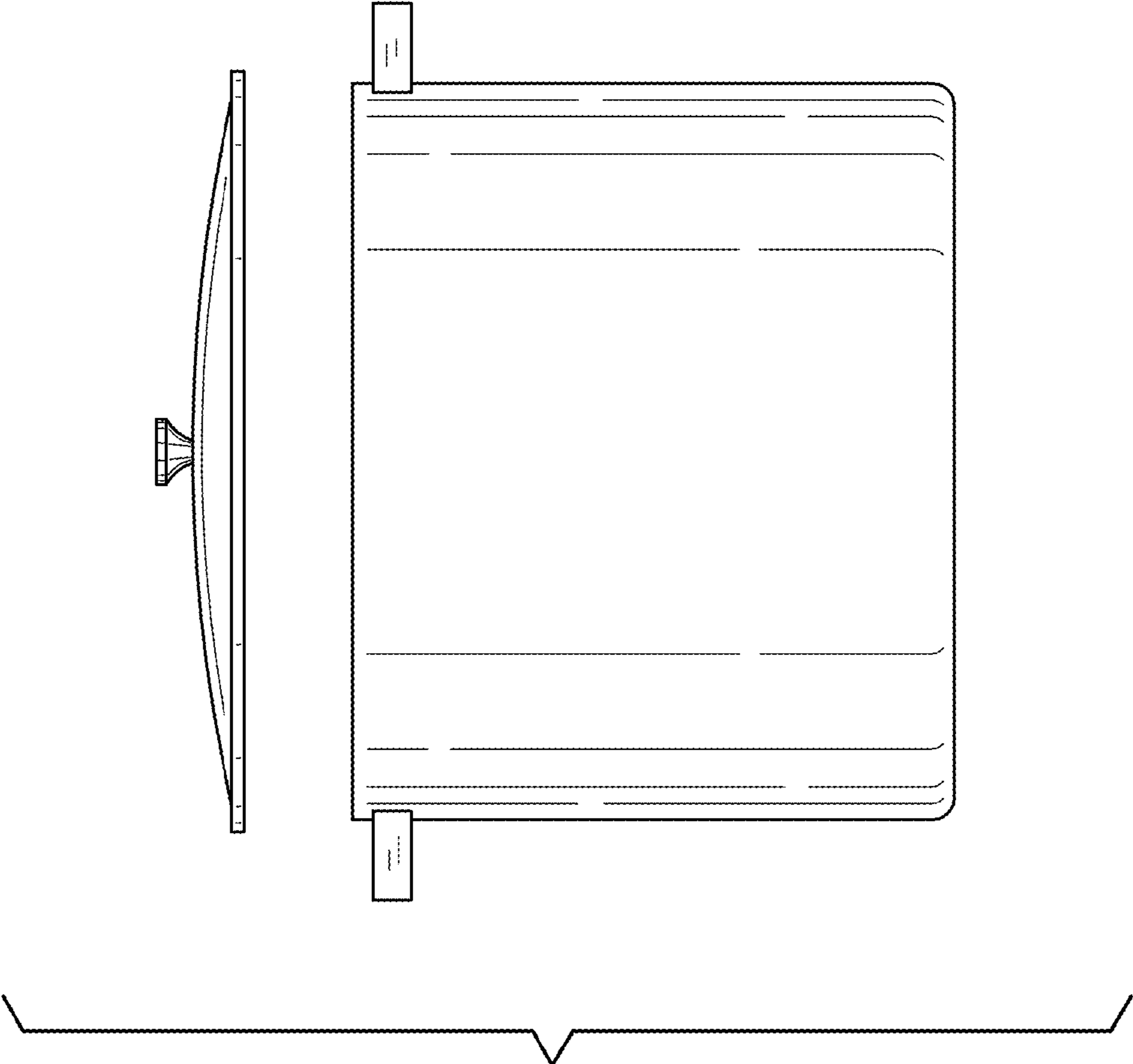


FIG. 1

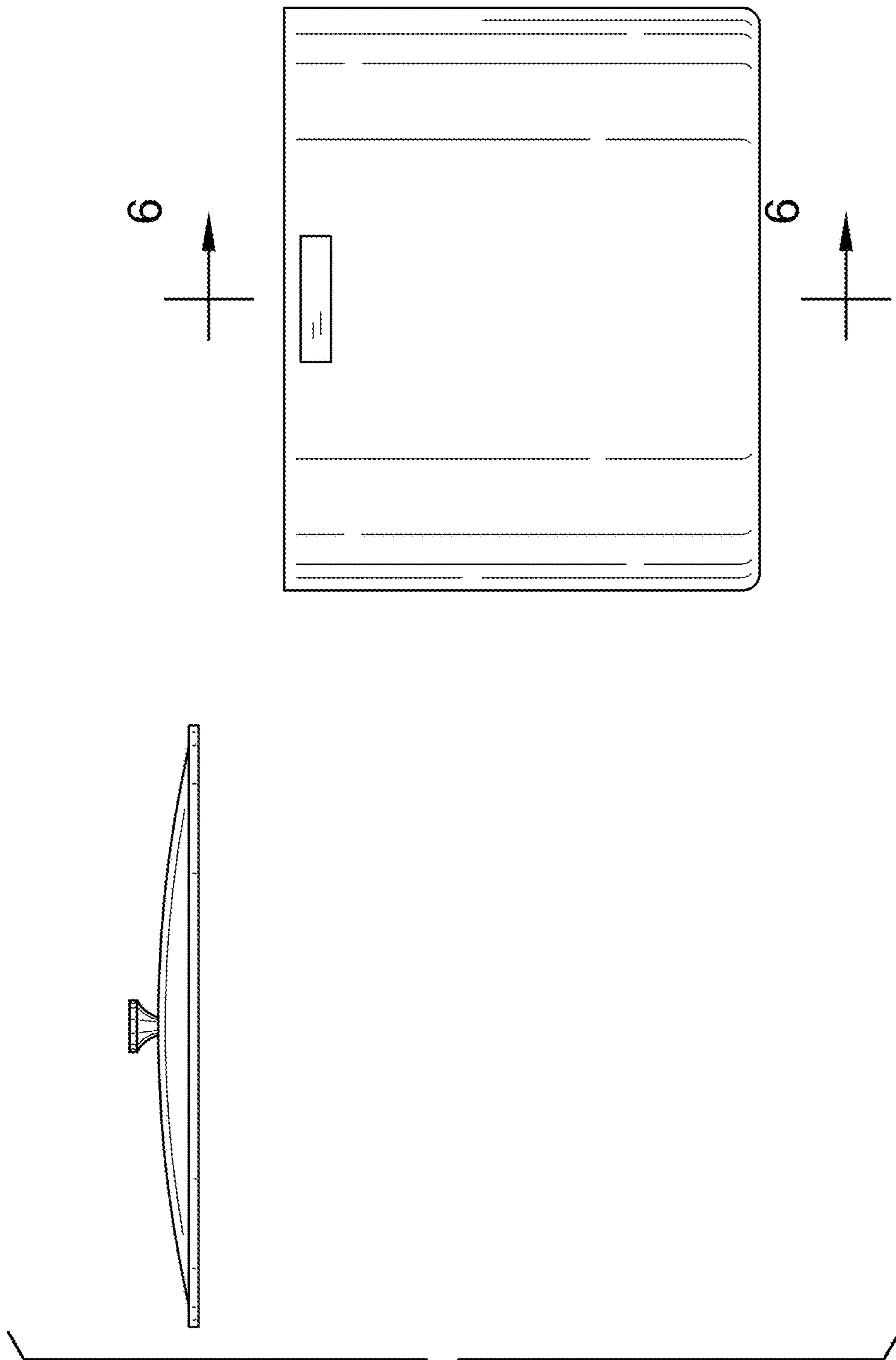


FIG. 2

FIG. 3

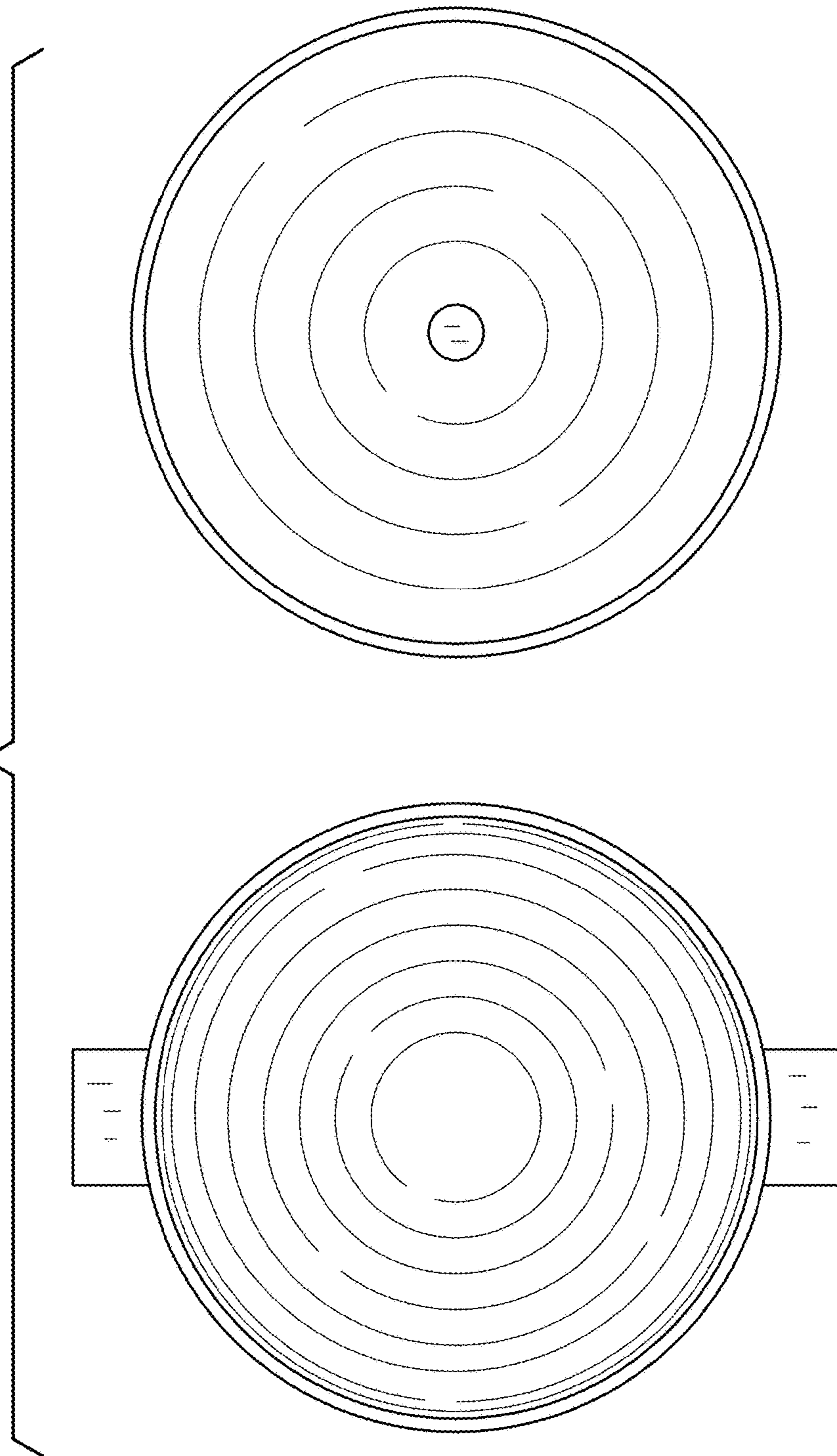
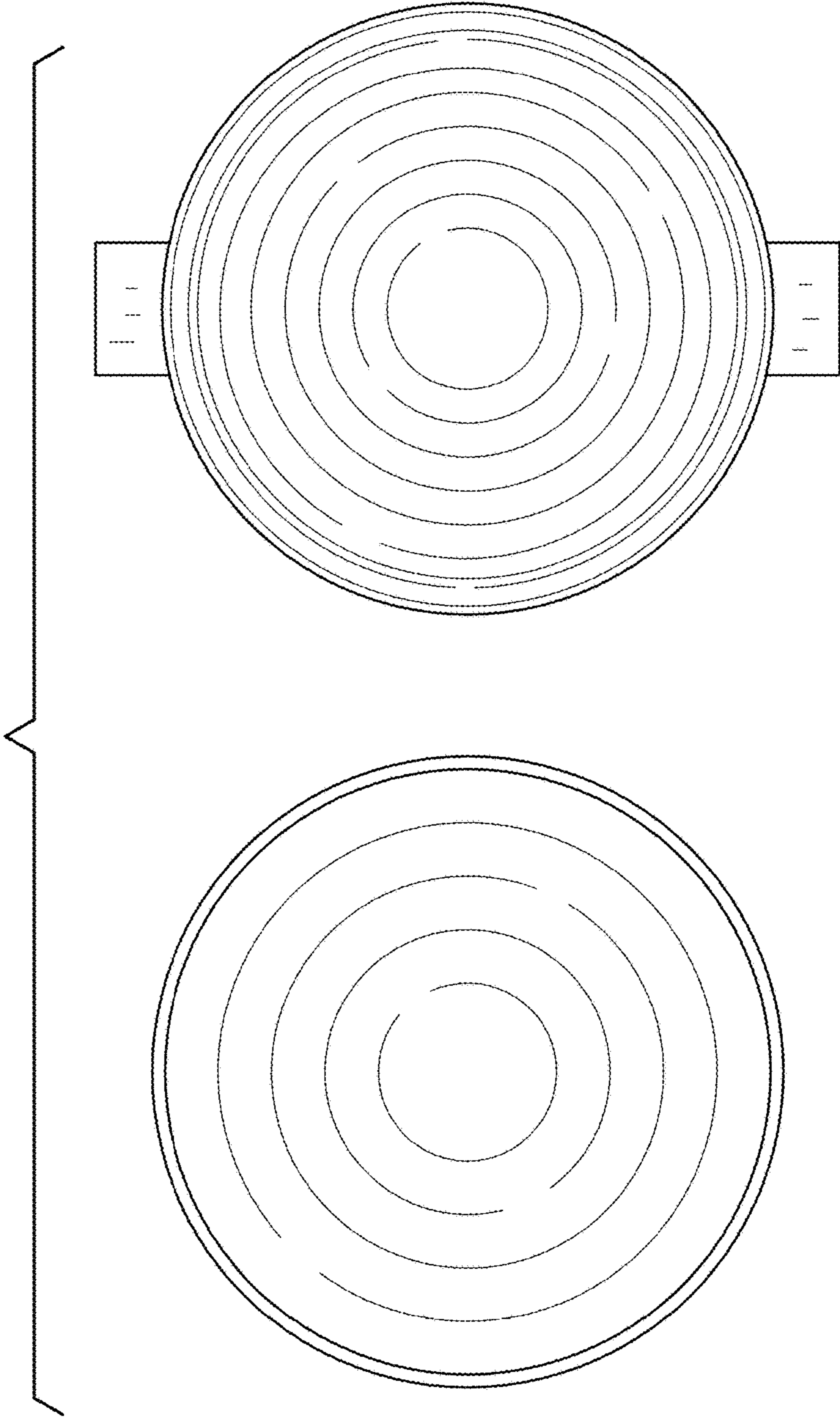
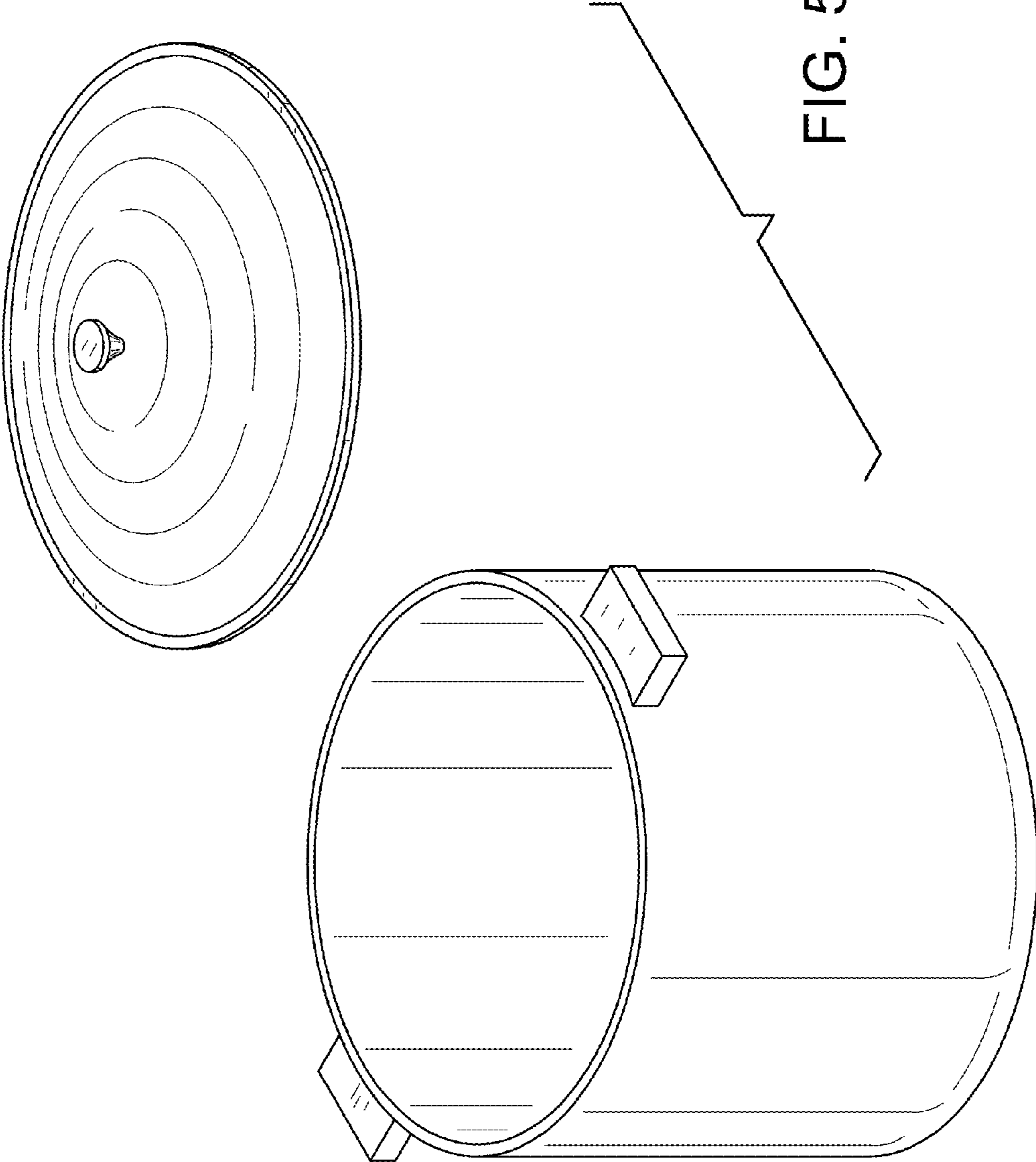


FIG. 4





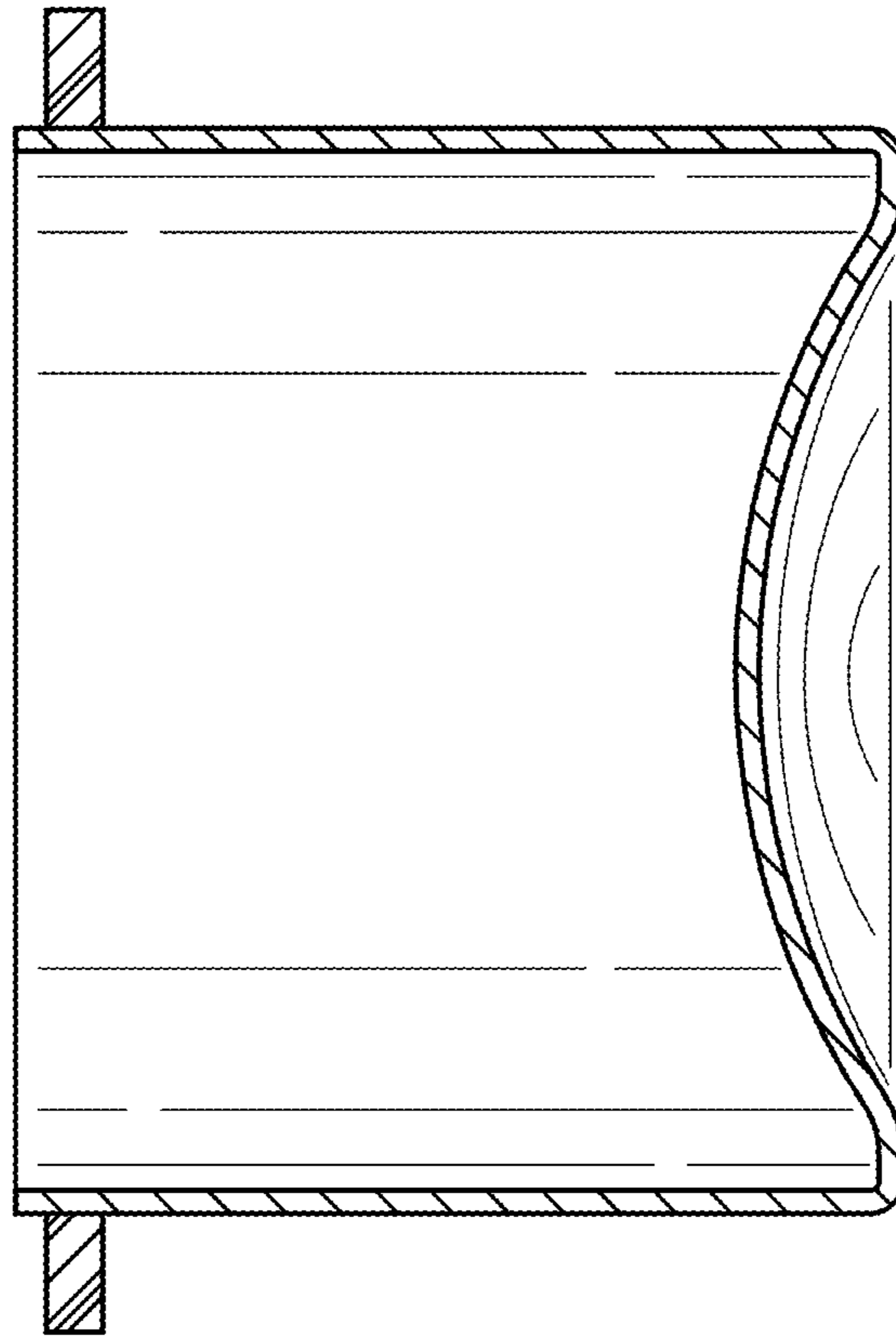


FIG. 6