



US00D794375S

(12) **United States Design Patent**
Fukushima

(10) **Patent No.:** **US D794,375 S**

(45) **Date of Patent:** **** Aug. 15, 2017**

(54) **COFFEE MAKER**

(71) Applicant: **FUJI KOUKI CO., LTD.**, Osaka-shi,
Osaka (JP)

(72) Inventor: **Tatsuo Fukushima**, Osaka (JP)

(73) Assignee: **FUJI KOUKI CO., LTD.**, Osaka-Shi,
Osaka (JP)

(**) Term: **15 Years**

(21) Appl. No.: **29/555,716**

(22) Filed: **Feb. 24, 2016**

(30) **Foreign Application Priority Data**

Jan. 19, 2016 (JP) 2016-867

(51) **LOC (10) Cl.** **07-01**

(52) **U.S. Cl.**
USPC **D7/310; D7/311; D7/309; D7/355;**
D7/360; D7/366; D7/367

(58) **Field of Classification Search**

USPC **D7/305-311, 300, 399, 400, 355, 360,**
D7/366, 367; D15/82; 222/129.1, 146.6;
99/295

CPC **A47J 36/06; A47J 31/4403; A47J 31/46;**
A47J 31/4482; A47J 31/369; A47J
31/407; A47J 31/30; A47J 31/20; A47J
4/025; A47J 31/002; B67D 1/04; B67D
1/0412; B67D 1/0864; B67D 3/0061

See application file for complete search history.

(56) **References Cited**

U.S. PATENT DOCUMENTS

D38,423 S * 1/1907 Gutermann D7/366
861,093 A * 7/1907 Ourdley F16M 11/00
108/50.13
D98,970 S * 3/1936 Swanson D7/367

D164,650 S * 9/1951 O'Connell D7/366
D183,133 S * 7/1958 Lax 126/30
2,905,418 A * 9/1959 Escartin A47G 19/14
126/30
D189,469 S * 12/1960 Fischer D7/366
3,038,402 A * 6/1962 Singer A47J 36/06
126/43
D216,408 S * 12/1969 Porciani D7/355
D234,285 S * 2/1975 Wickenberg D7/309
D249,317 S * 9/1978 Korn D6/677.3
D286,848 S * 11/1986 Levin D7/305
D289,726 S * 5/1987 Greutert D7/310
D307,229 S * 4/1990 Grolman D7/305
D324,149 S * 2/1992 Beeren D7/300
D361,632 S * 8/1995 Ratia D26/10
5,784,972 A * 7/1998 Emalfarb A47G 7/041
108/156
6,578,802 B1 * 6/2003 Thier B67D 3/0029
248/146
D498,111 S * 11/2004 Lassota D7/306
D525,821 S * 8/2006 Latzman D7/355

(Continued)

Primary Examiner — Marianne Pandozzi

(74) *Attorney, Agent, or Firm* — Bacon & Thomas, PLLC

(57) **CLAIM**

The ornamental design for a coffee maker, as shown and described.

DESCRIPTION

FIG. 1 is a perspective view of a coffee maker showing my new design;

FIG. 2 is a front elevational view thereof;

FIG. 3 is a rear elevational view thereof;

FIG. 4 is a left-side elevational view thereof;

FIG. 5 is a right-side elevational view thereof;

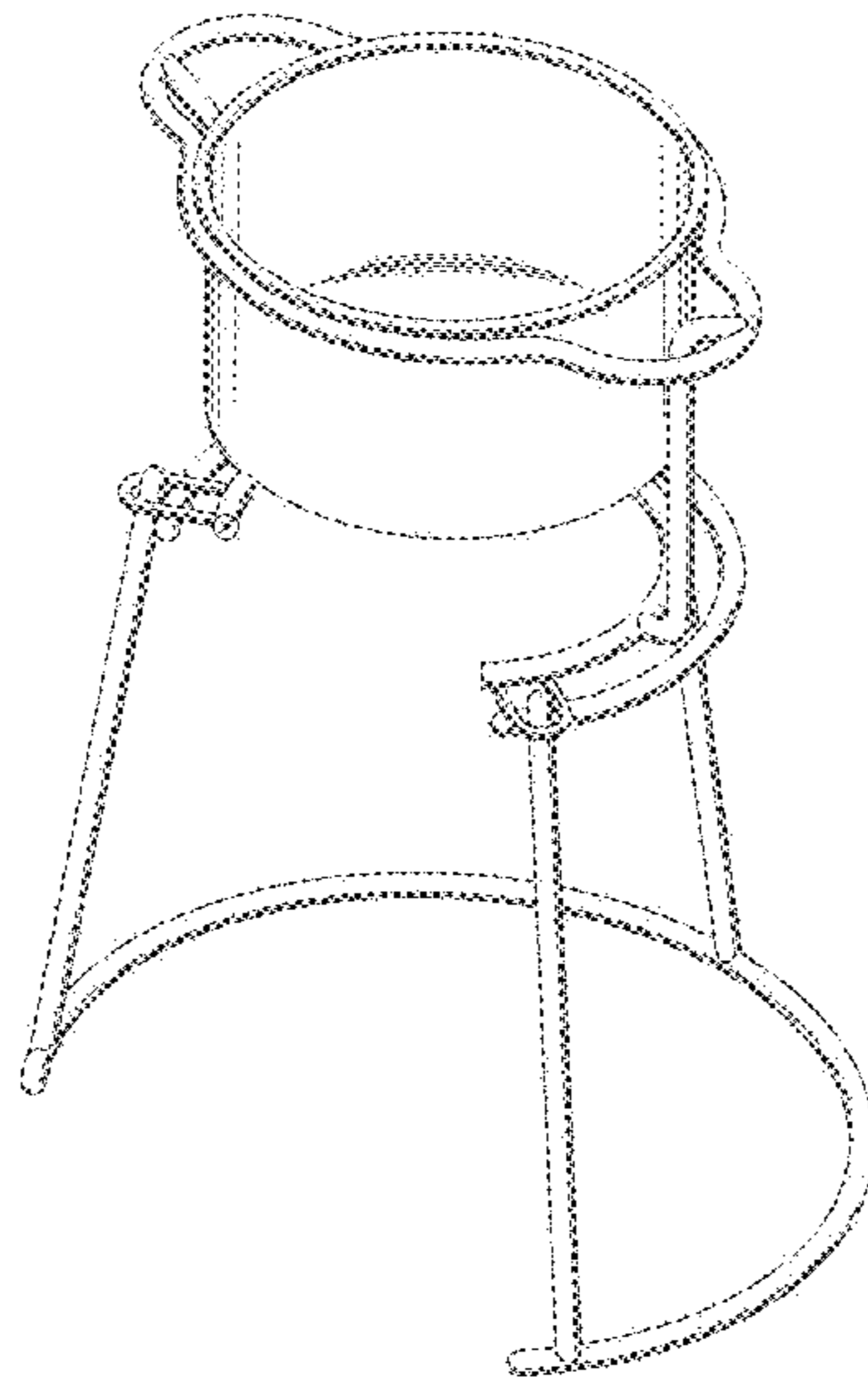
FIG. 6 is a top plan view thereof;

FIG. 7 is a bottom plan view thereof; and,

FIG. 8 is an environmental perspective view thereof.

The broken lines in the drawings depict portions of the coffee maker that form no part of the claimed design.

1 Claim, 8 Drawing Sheets



(56)

References Cited

U.S. PATENT DOCUMENTS

D528,344 S * 9/2006 Mika D7/307
7,350,671 B2 * 4/2008 Mika B67D 3/0009
222/129
D618,491 S * 6/2010 Welk D7/354
D625,548 S * 10/2010 Lavy D7/366
D663,579 S * 7/2012 Yang D7/300
D685,222 S * 7/2013 Dang D7/354
D690,992 S * 10/2013 Ball D7/399
D726,479 S * 4/2015 Andreesen D7/306
D728,294 S * 5/2015 Huang D7/305
D764,857 S * 8/2016 McConnell D7/354
2006/0283883 A1 * 12/2006 Mika B67D 3/0009
222/129
2007/0187435 A1 * 8/2007 Quirk B67D 3/0009
222/481

* cited by examiner

FIG. 1

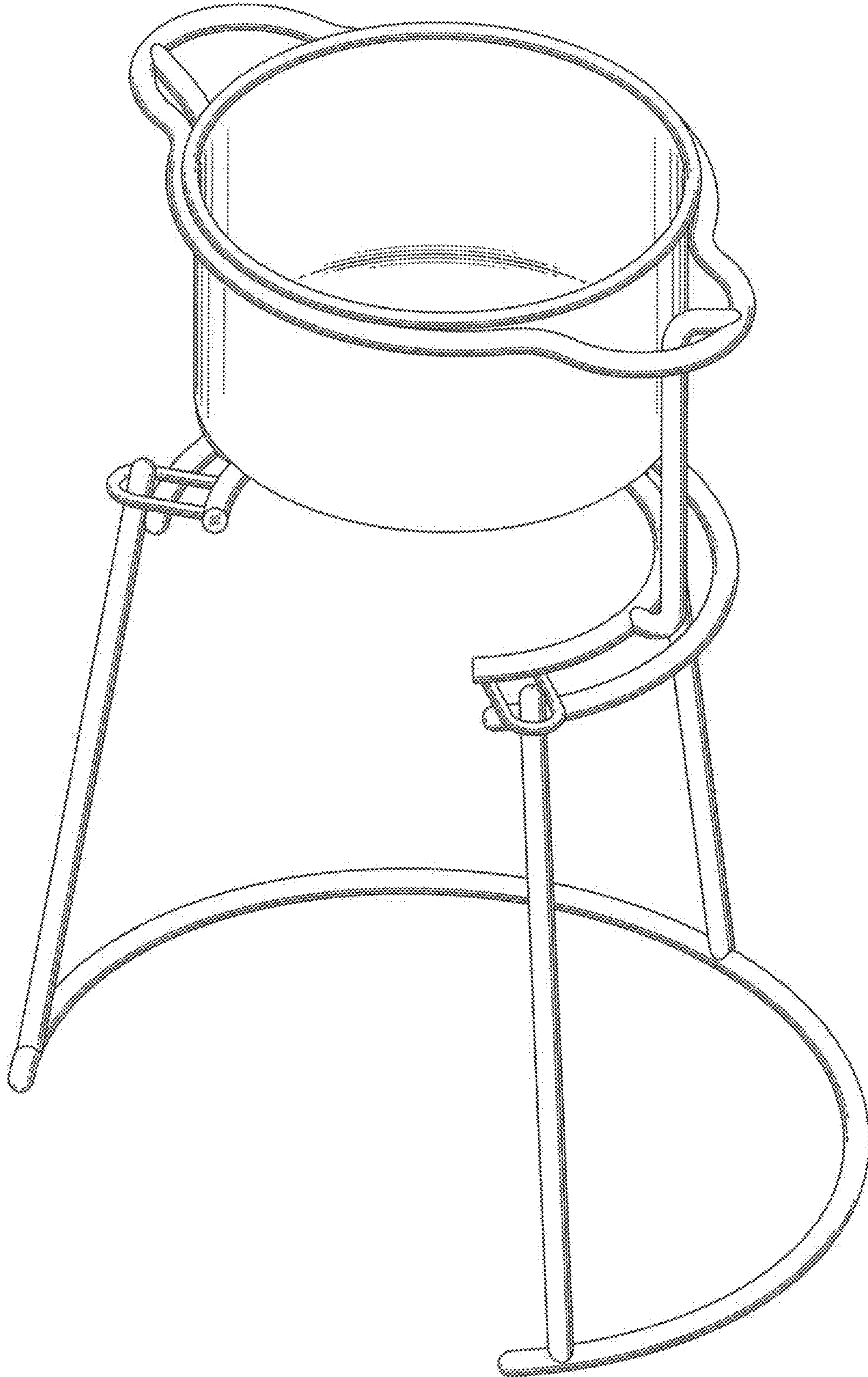


FIG. 2

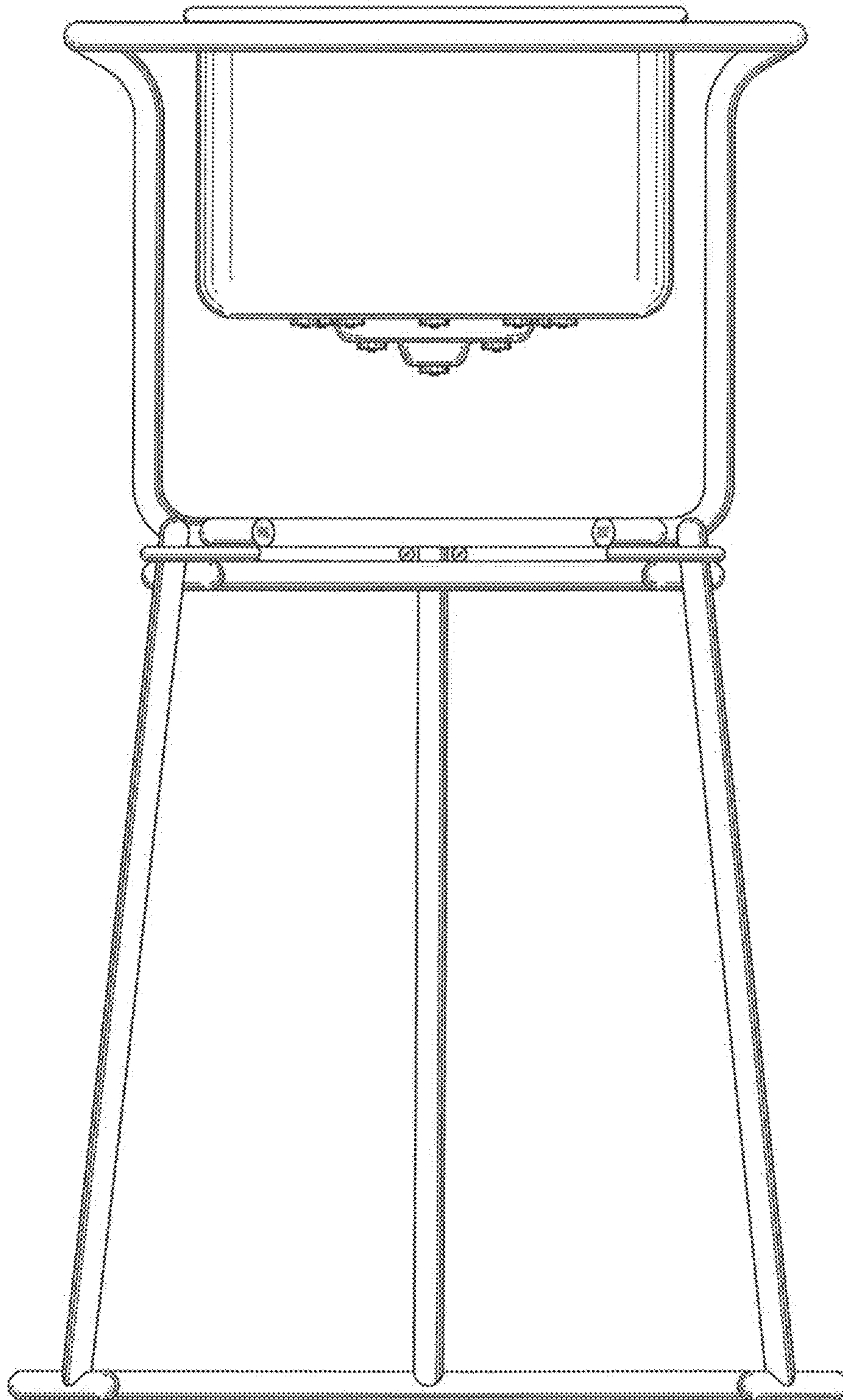


FIG.3

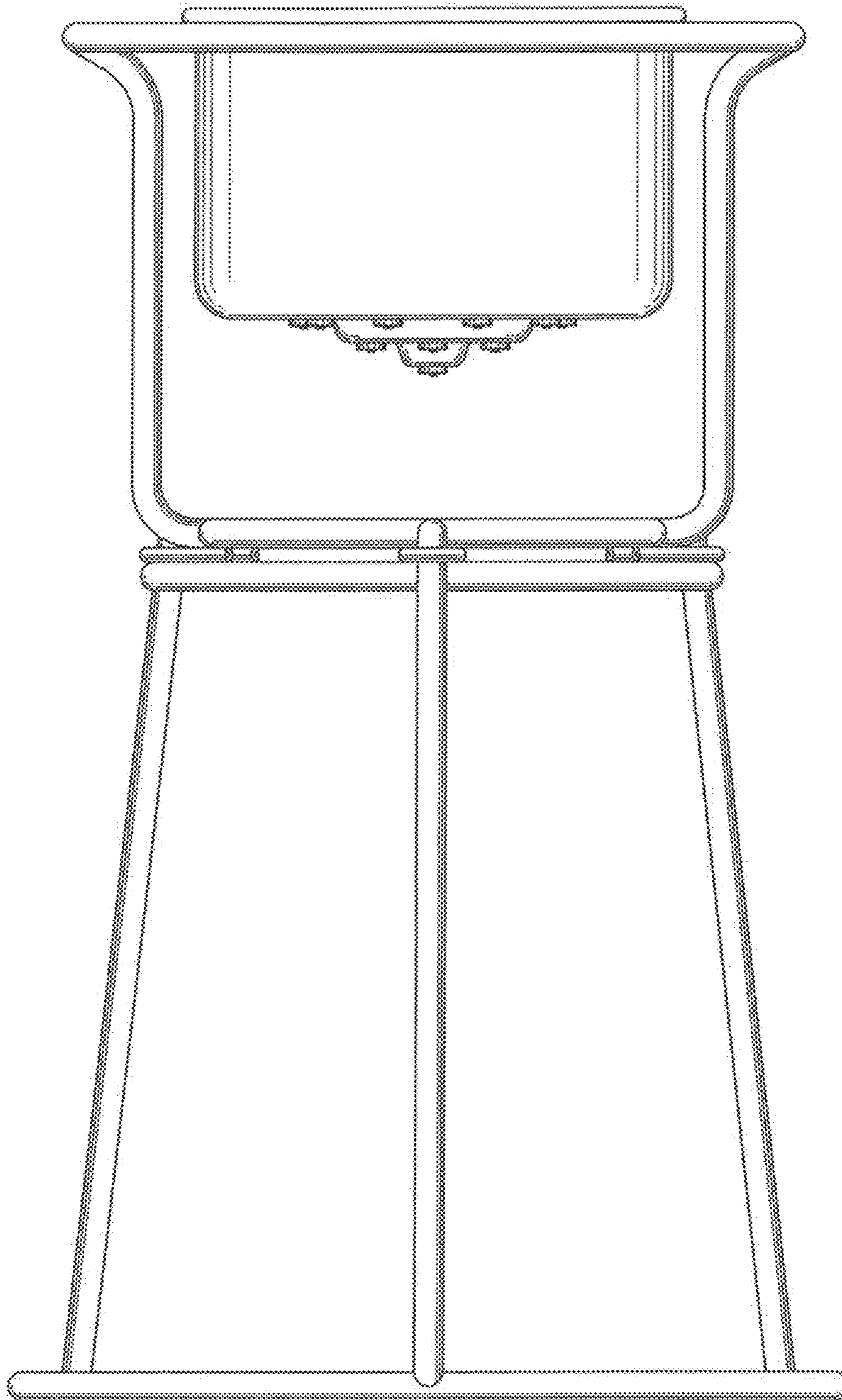


FIG.4

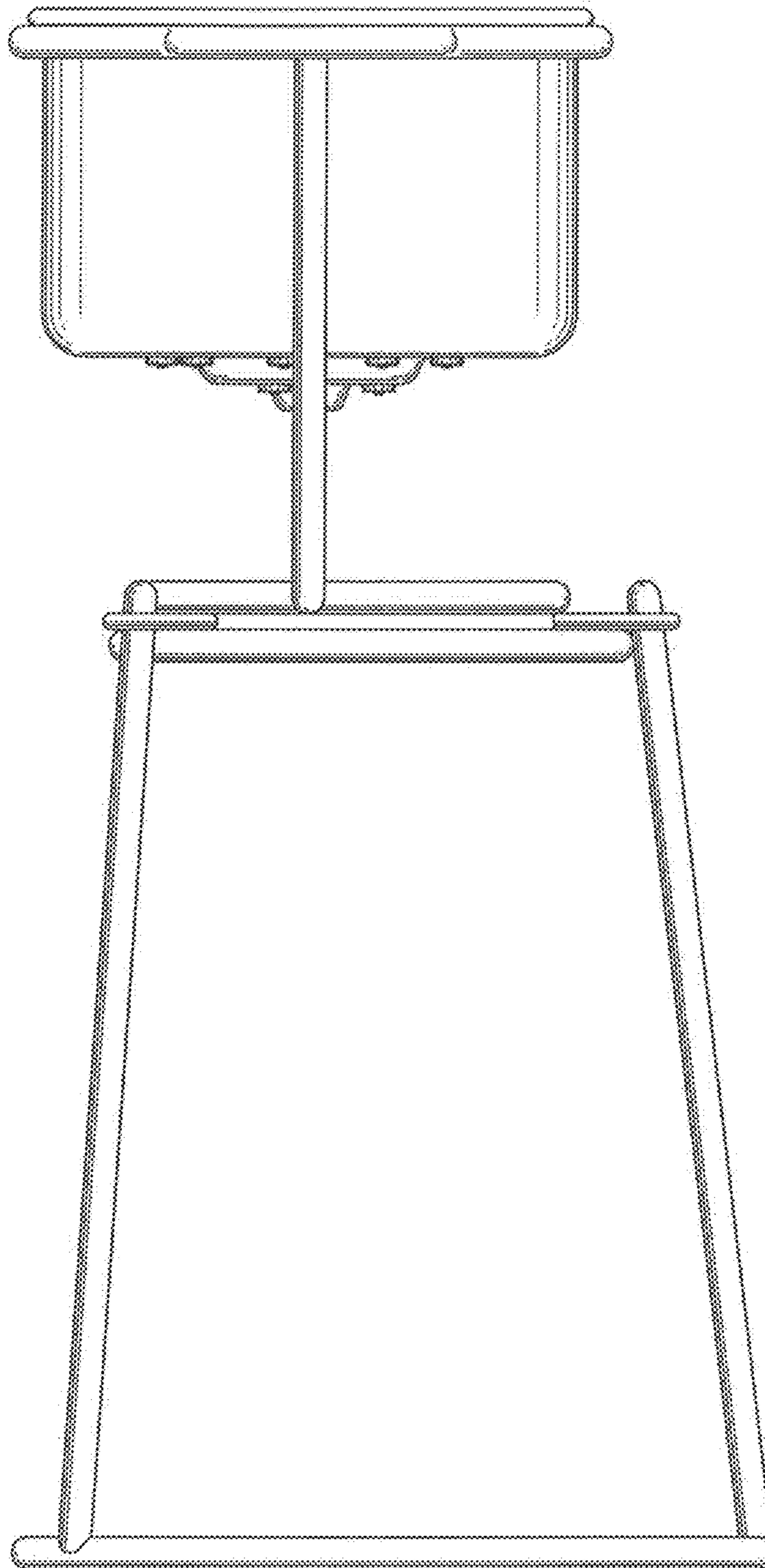


FIG. 5

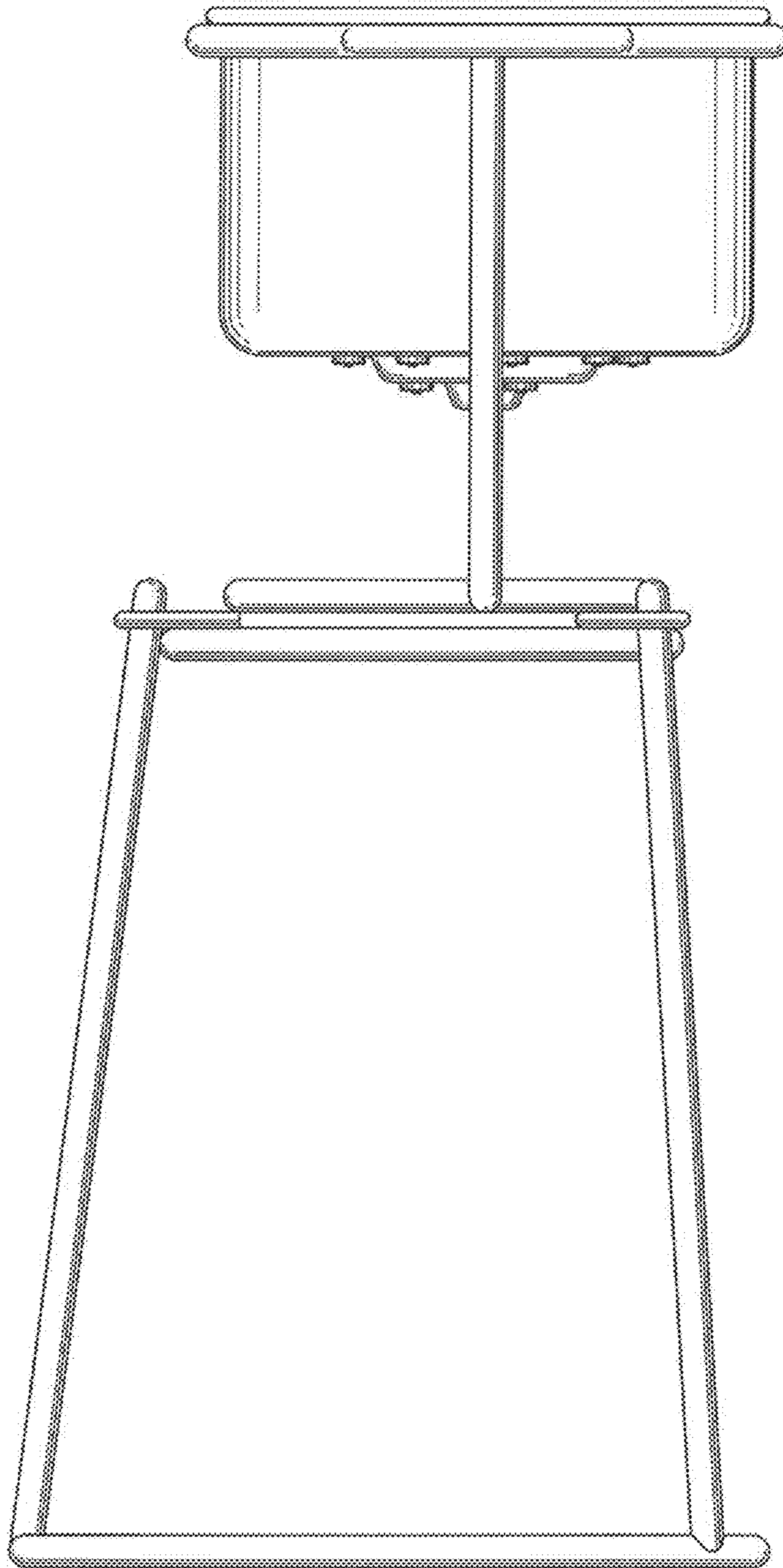


FIG.6

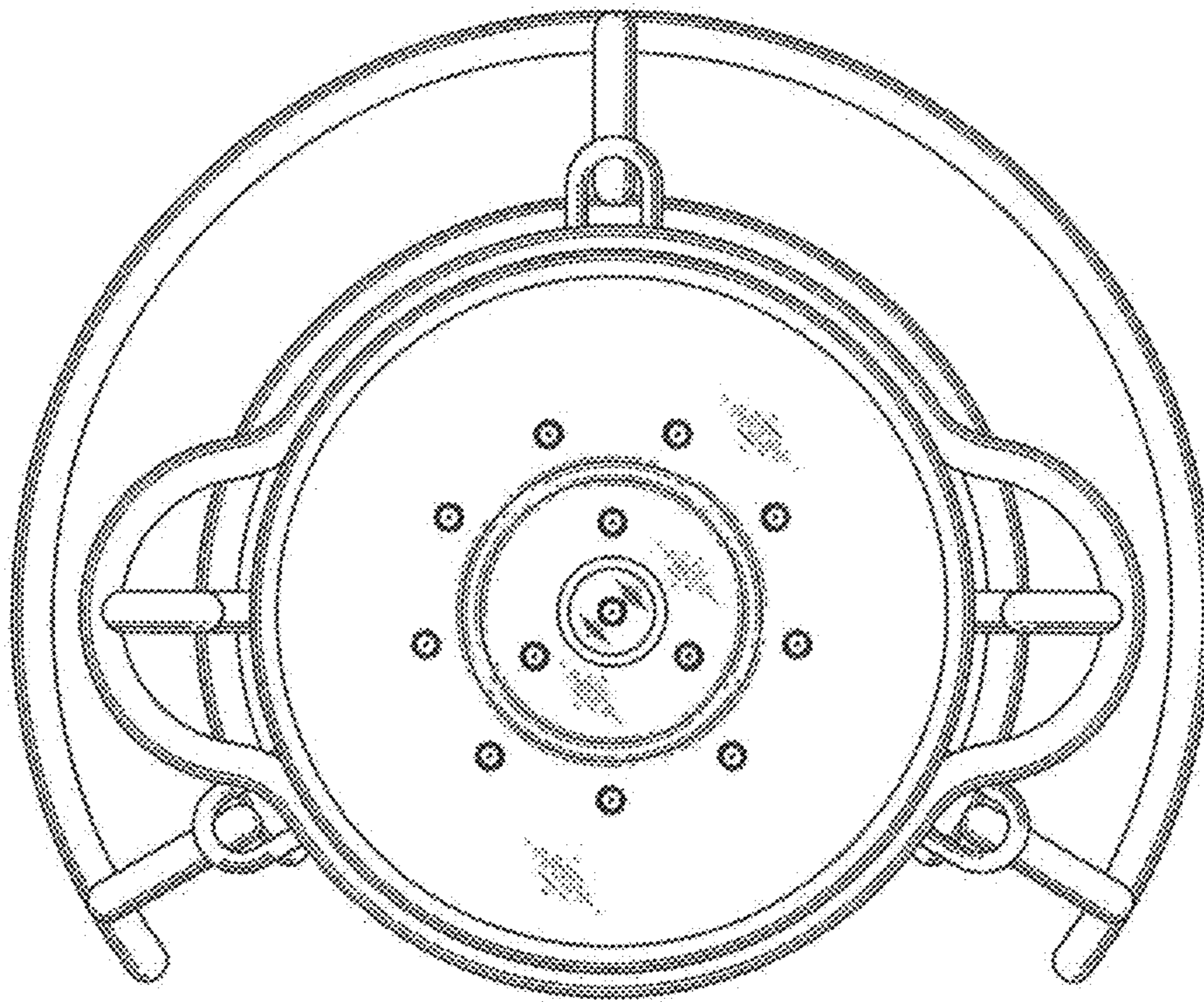


FIG.7

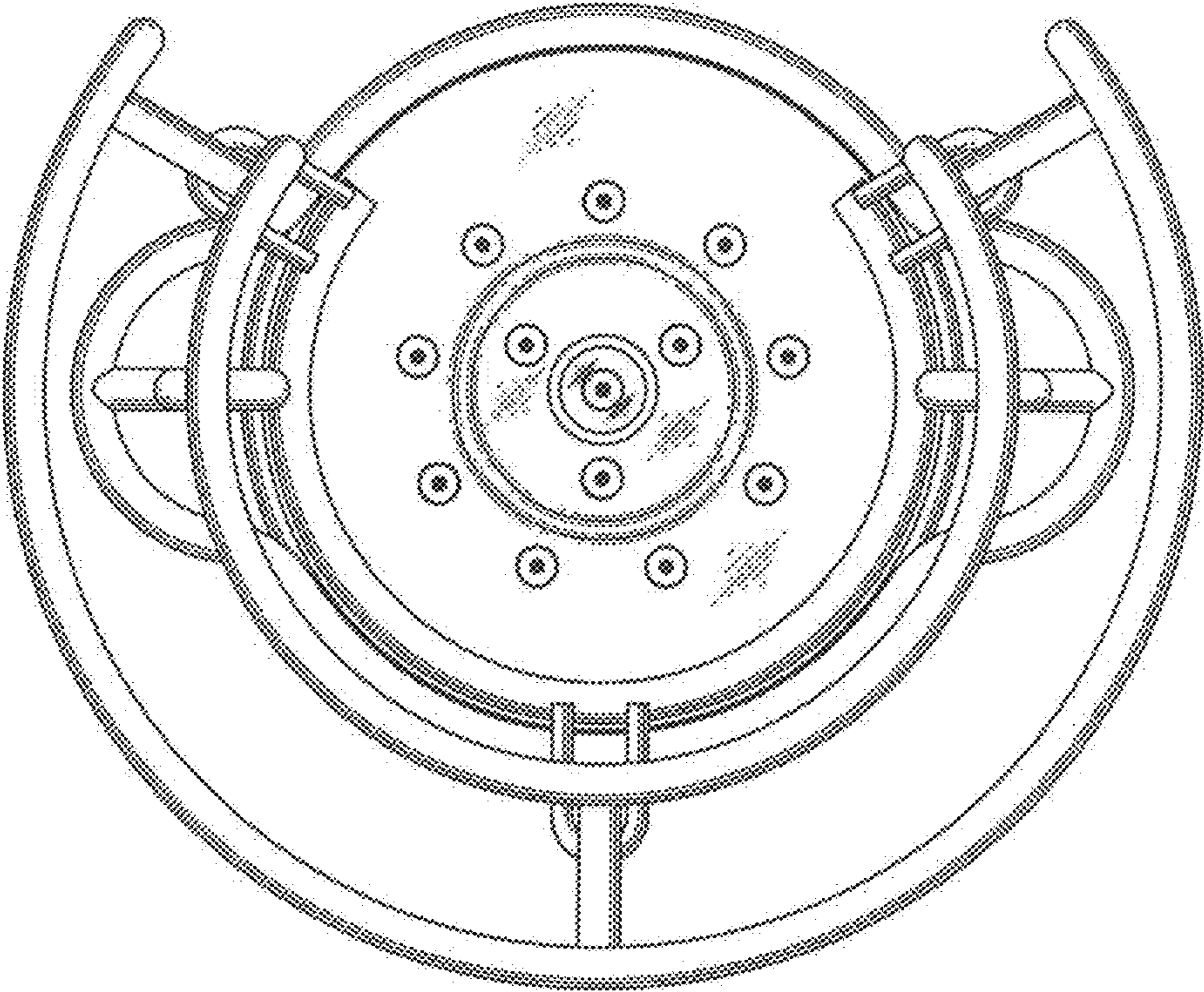


FIG.8

