



US00D794373S

(12) **United States Design Patent** (10) **Patent No.:** **US D794,373 S**
MacInnes et al. (45) **Date of Patent:** **** Aug. 15, 2017**

(54) **STIR STICK**
(71) Applicant: **Your BevCo, LLC**, St. Louis, MO (US)
(72) Inventors: **Alan MacInnes**, Wildwood, MO (US); **Marc Braeckel**, Chesterfield, MO (US); **John Giarrante**, Webster Groves, MO (US); **William A. Frazier**, St. Louis, MO (US); **Pamela Manning**, Chesterfield, MO (US); **Ronald Hiebsch**, O’Fallon, MO (US); **Donald G. Abbott**, St. Charles, MO (US); **Timothy J. Bremenkamp**, Lawrence, KS (US); **Justin Eakes**, Olathe, KS (US); **Jason Husk**, Walnut Creek, CA (US); **Matthew Hutcherson**, Lee’s Summit, MO (US)

(73) Assignee: **Your BevCo, LLC**, St. Louis, MO (US)
(**) Term: **15 Years**
(21) Appl. No.: **29/546,636**

(22) Filed: **Nov. 24, 2015**
(51) **LOC (10) Cl.** **07-06**
(52) **U.S. Cl.**
USPC **D7/300.2**
(58) **Field of Classification Search**
USPC D7/300.2, 301, 305, 376, 688, 689;
D9/436, 716; D24/108, 110, 112;
215/388, 389; 239/16, 17, 21, 24, 33;
604/35; 433/91, 96; 426/85
CPC B01F 15/00506
See application file for complete search history.

(56) **References Cited**
U.S. PATENT DOCUMENTS
2,701,132 A * 2/1955 Arnold et al. A47J 43/0711
403/328
D190,752 S * 6/1961 Pedersen D7/300.2
D225,486 S * 12/1972 Burt D7/300.2

D268,077 S * 3/1983 Morin D7/692
D278,017 S * 3/1985 Martin D7/300.2
D290,213 S * 6/1987 Imotani D7/300.2
D290,569 S * 6/1987 Imotani D7/300.2
(Continued)

OTHER PUBLICATIONS

“Anchor Swizzle Sticks”. Found Jul. 25, 2016 at amazon.com. Page dated Jul. 2, 2015. Retrieved from https://www.amazon.com/...le-Stirrers/dp/B010TQZS7E/ref=sr_1_98?s=kitchen&ie=UTF8&qid=1469470569&sr=1-98-spons&keywords=stirrer&refinements=p_72%3A1248918011&psc=1.*
(Continued)

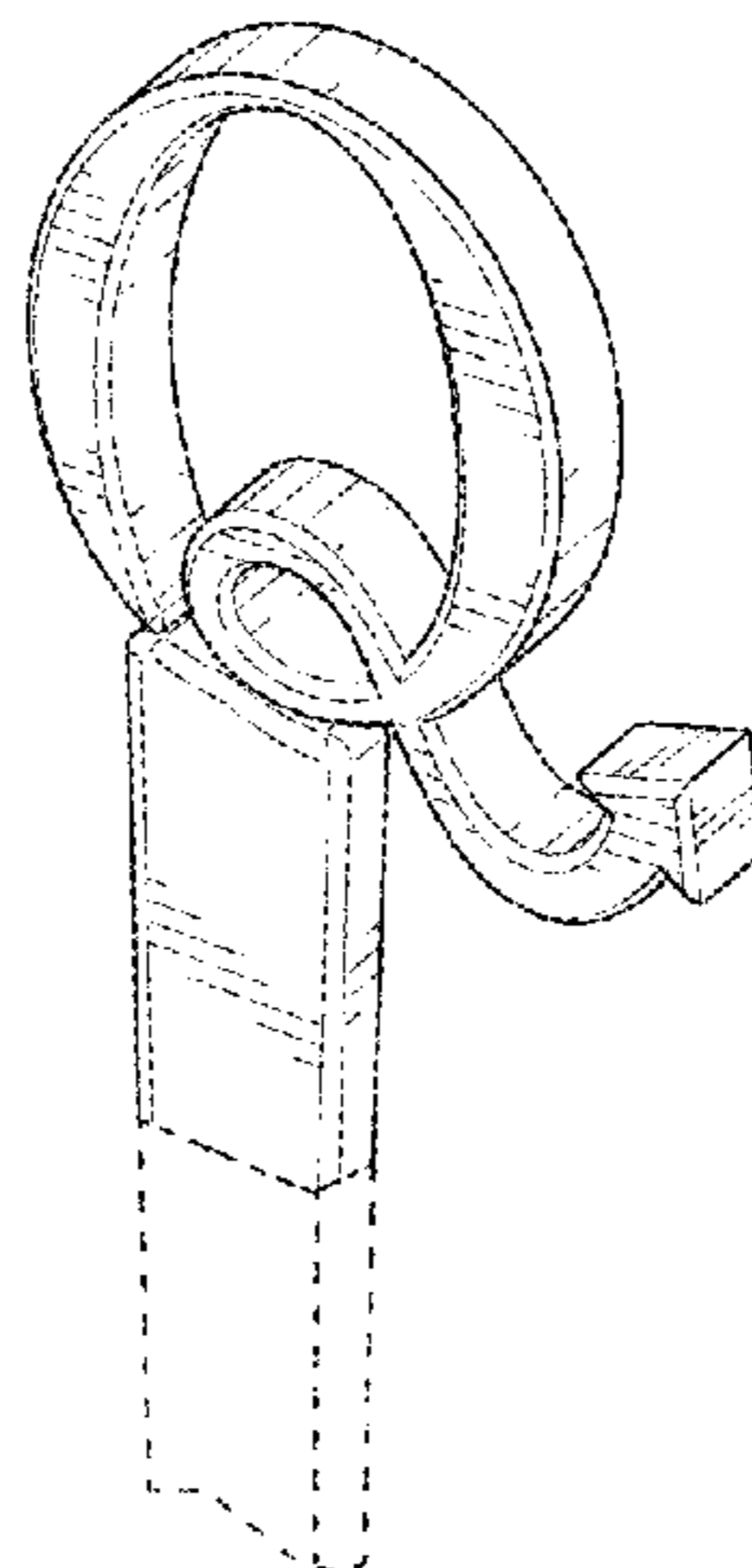
Primary Examiner — Robert M Spear
Assistant Examiner — Kendra L Hamilton
(74) *Attorney, Agent, or Firm* — Husch Blackwell LLP

(57) **CLAIM**
The ornamental design for a stir stick, as shown and described.

DESCRIPTION

FIG. 1 is a front elevation view of a stir stick showing my new design;
FIG. 2 is a right side elevation view thereof;
FIG. 3 is a top plan view thereof;
FIG. 4 is a rear elevation view thereof;
FIG. 5 is a left side elevation view thereof;
FIG. 6 is a top rear perspective thereof;
FIG. 7 is a top front perspective view thereof;
FIG. 8 is a bottom front perspective view thereof; and,
FIG. 9 is a bottom rear perspective view thereof.
The regularly broken line portions of FIGS. 1-2 and 4-9 show unclaimed subject matter only and form no part of the claimed design.
The dash-dot-dash broken line portions of FIGS. 1-2 and 4-9 indicate the boundary of the claim and form no part of the claimed design.

1 Claim, 2 Drawing Sheets



(56)

References Cited

U.S. PATENT DOCUMENTS

D291,956 S * 9/1987 Fenner D7/300.2
5,358,732 A 10/1994 Seifter et al.
5,427,315 A * 6/1995 Lipson A47G 21/182
239/33
5,947,595 A * 9/1999 Eurisch A47J 43/1093
366/129
D532,242 S * 11/2006 Aikens D7/300.2
D731,836 S * 6/2015 Lipson D7/300.2
2002/0179729 A1 * 12/2002 Sheedy A47G 21/182
239/33
2007/0068880 A1 3/2007 Naito et al.
2007/0196546 A1 8/2007 Tarantino
2008/0041240 A1 2/2008 Tarantino
2008/0282908 A1 11/2008 Cole et al.
2011/0177219 A1 7/2011 Roodman et al.
2013/0122161 A1 5/2013 Cole et al.
2013/0203171 A1 8/2013 Sportsman

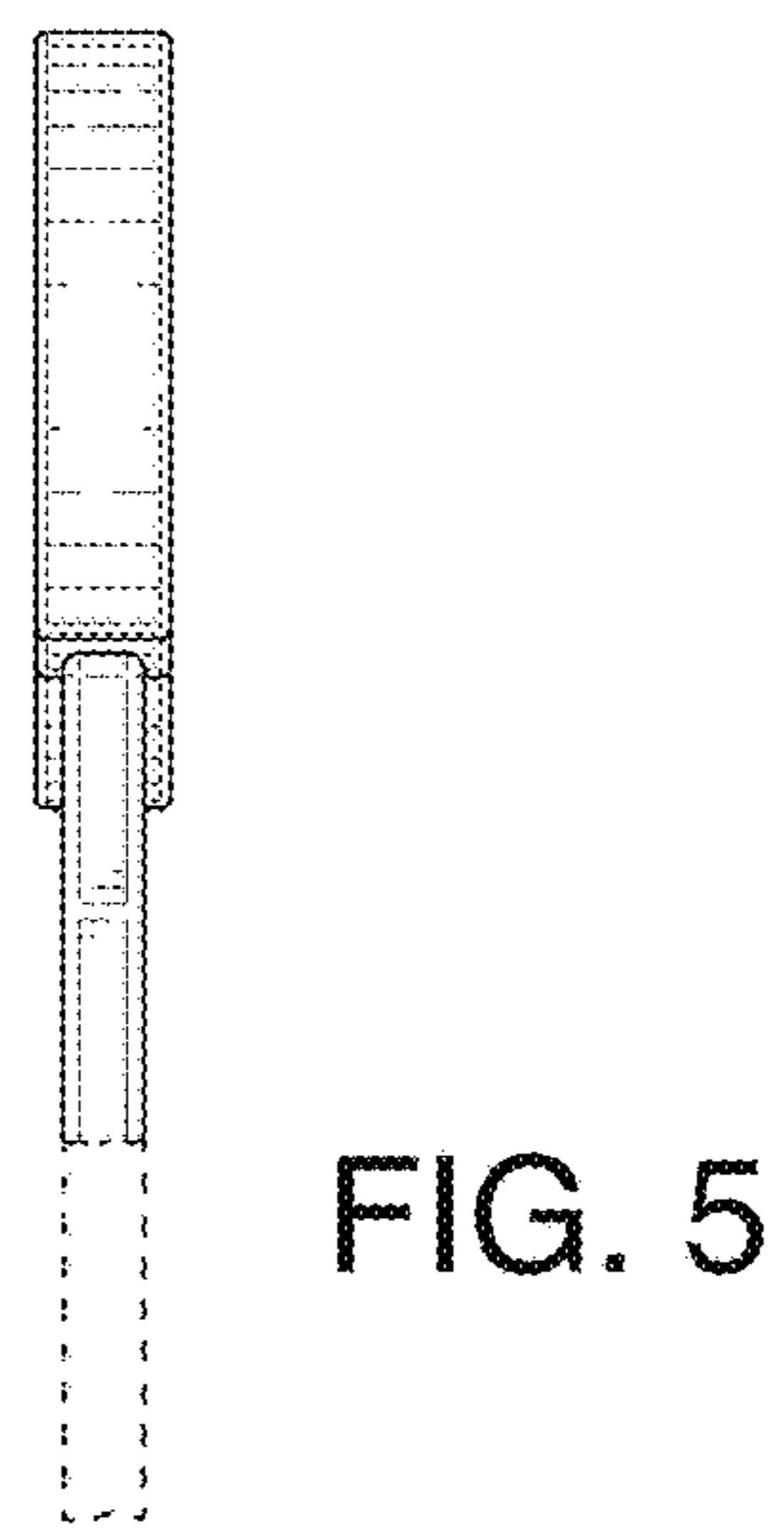
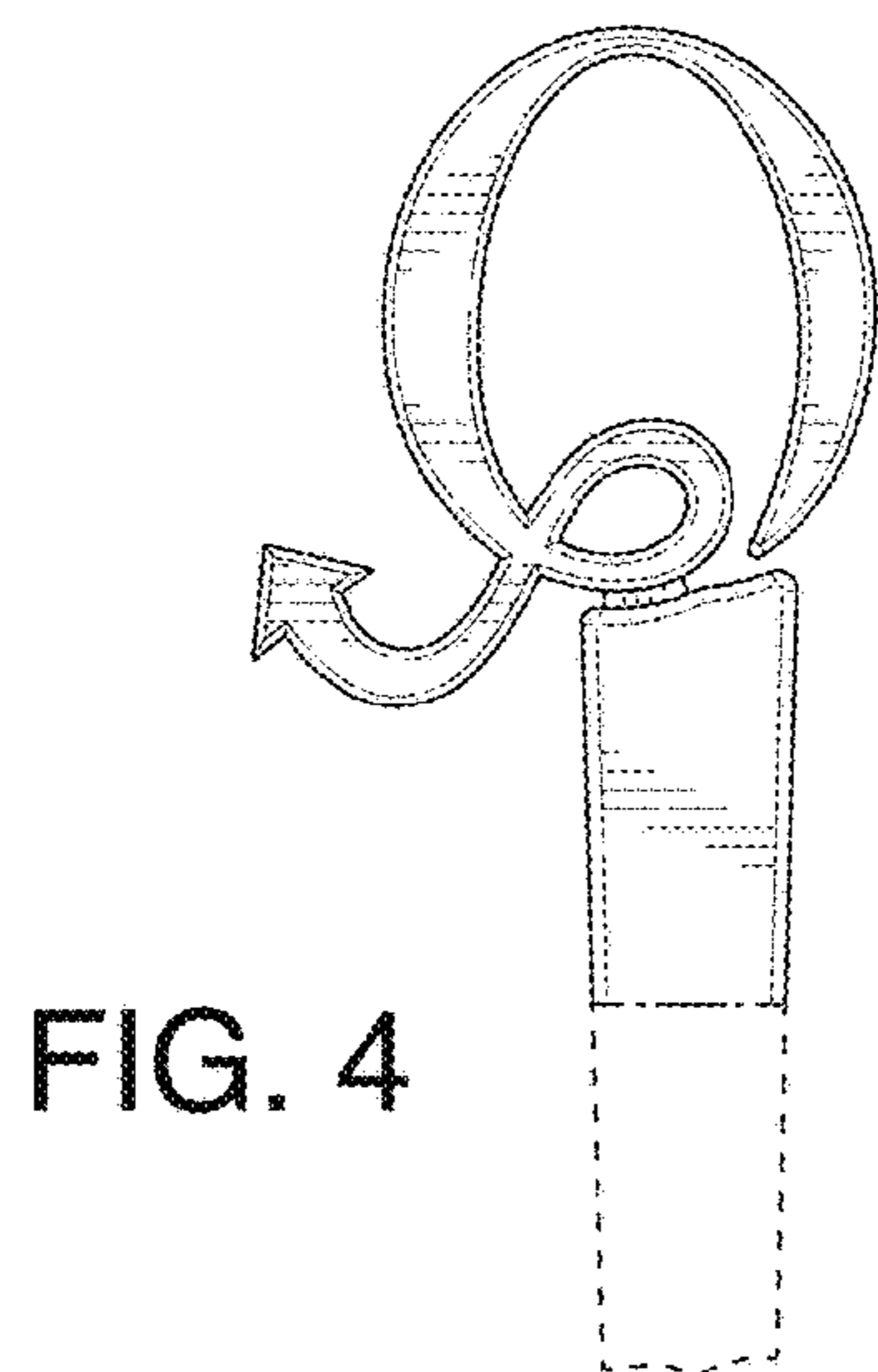
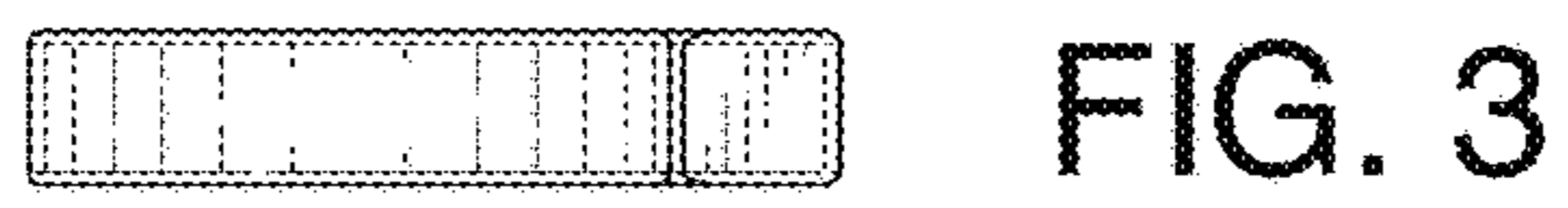
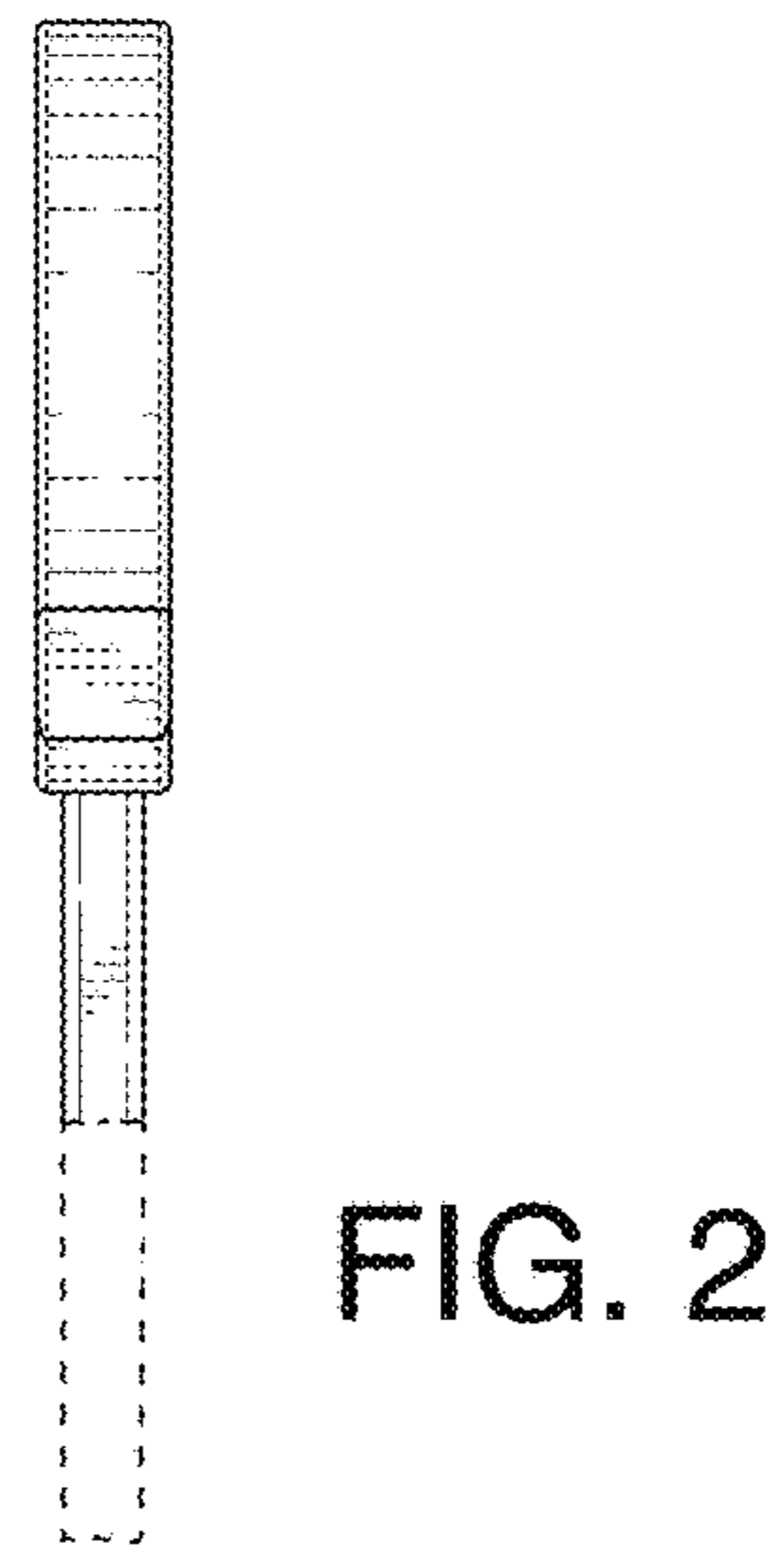
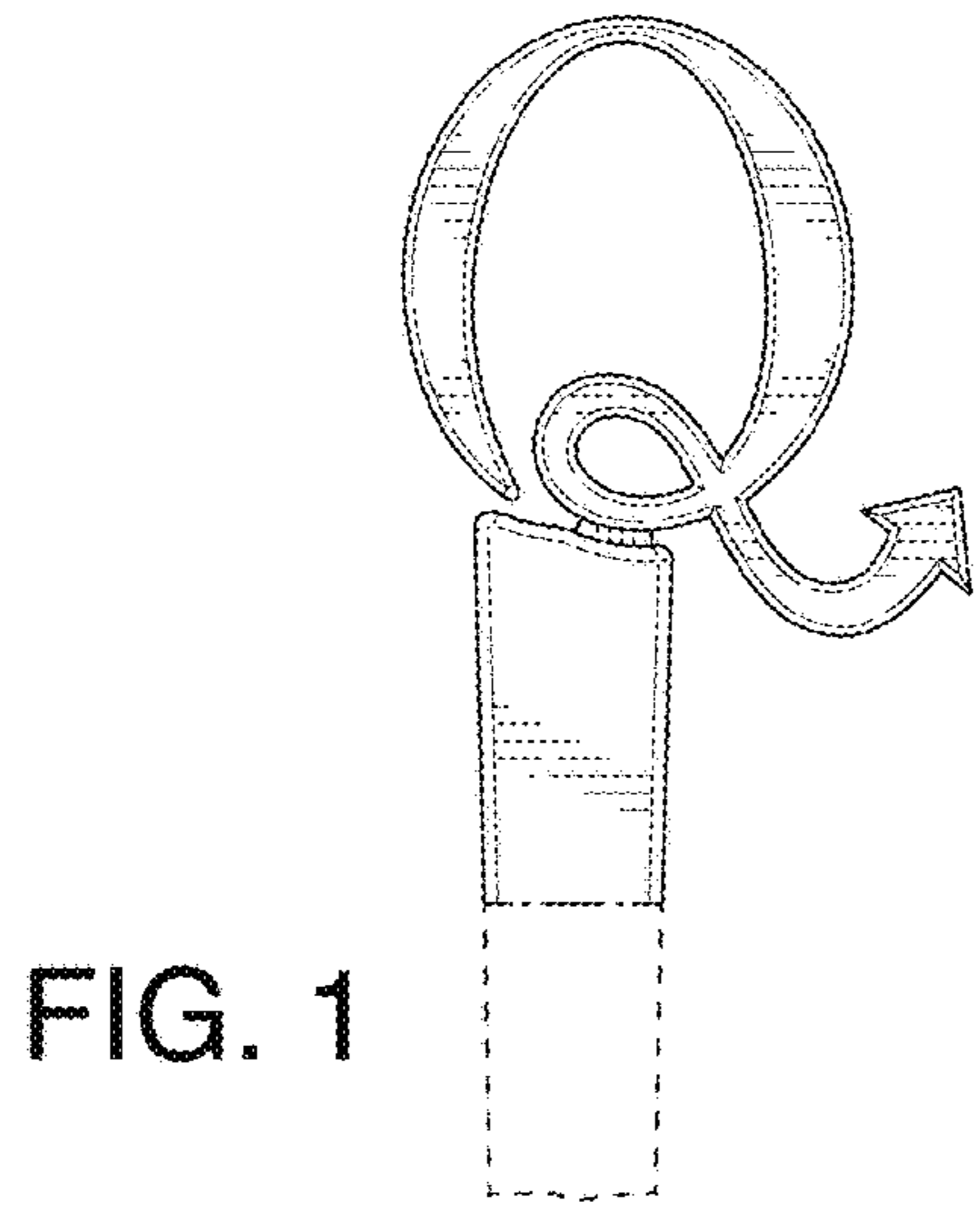
OTHER PUBLICATIONS

“Hot Sales: Plastic Stirrers”. Found Jul. 25, 2016 at goldpoplar.en.alibaba.com. Page dated Aug. 13, 2013. Retrieved from http://goldpoplar.en.alibaba.com/product/352323405-210560680/hot_sales_GP2008329_plastic_stirrers_drink_stirrer.html.*

“DIY Swizzle Sticks”. Found online Sep. 16, 2016 at weddingpaperdivas.com. Page dated Jan. 20, 2012. Retrieved from <https://web.archive.org/web/20120120165648/http://blog.weddingpaperdivas.com/diy-swizzle-sticks/>.*

“Mini Stainless Steel Cocktail Whisk”. Found online Jul. 25, 2016 at kegworks.com. Page dated May 20, 2015. Retrieved from <http://web.archive.org/web/20150520231647/http://www.kegworks.com/mini-stainless-steel-cocktail-whisk-8-25-I>.*

* cited by examiner



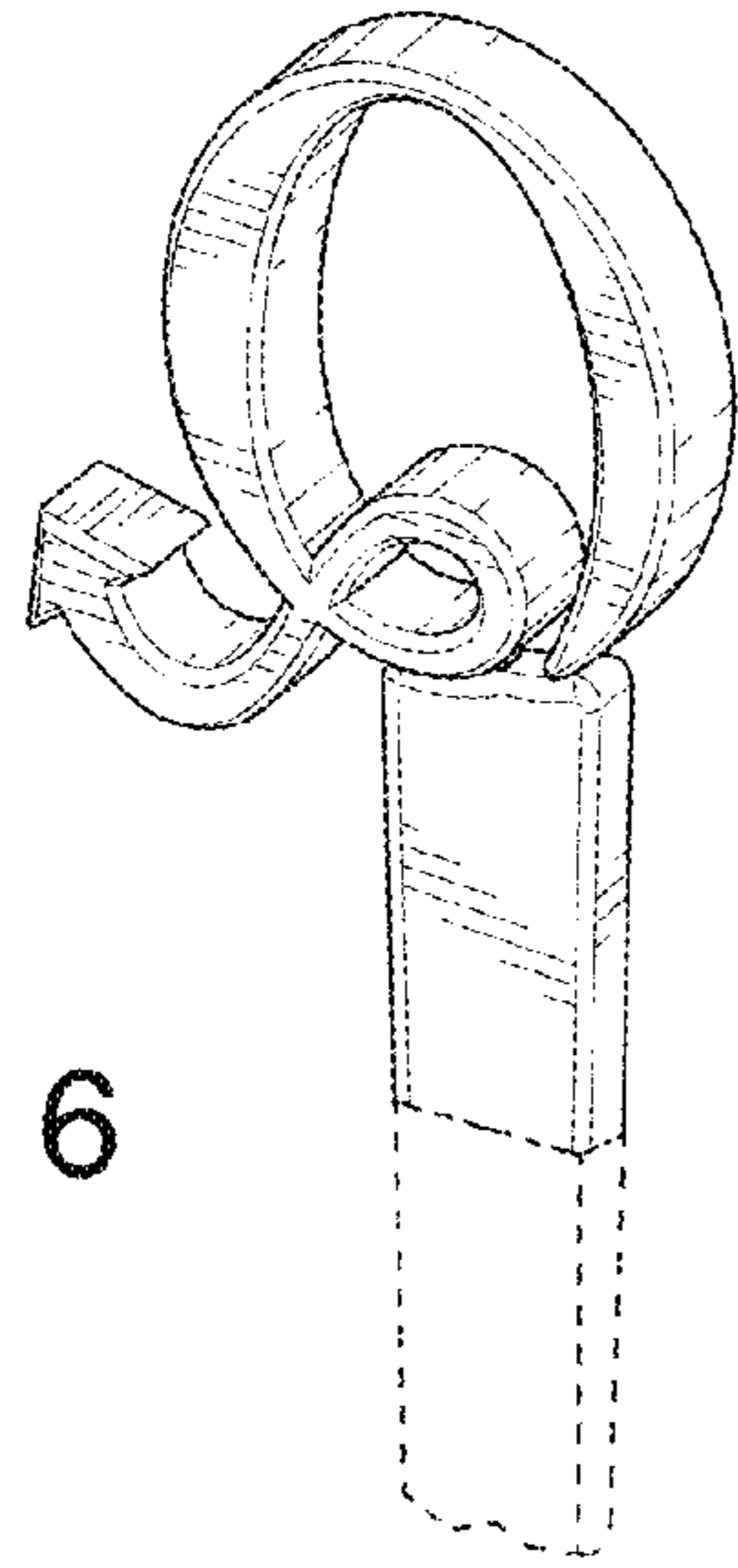


FIG. 6

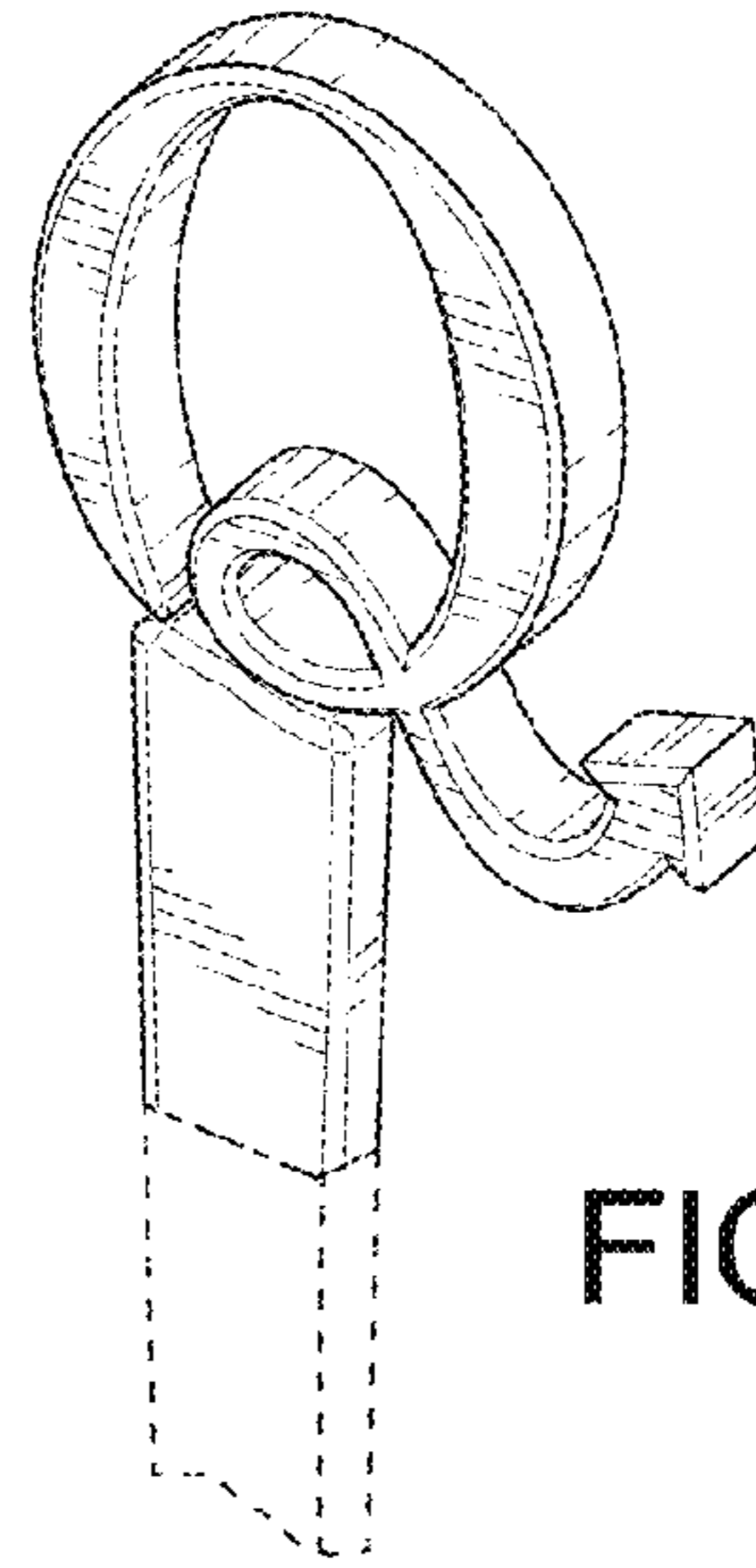


FIG. 7

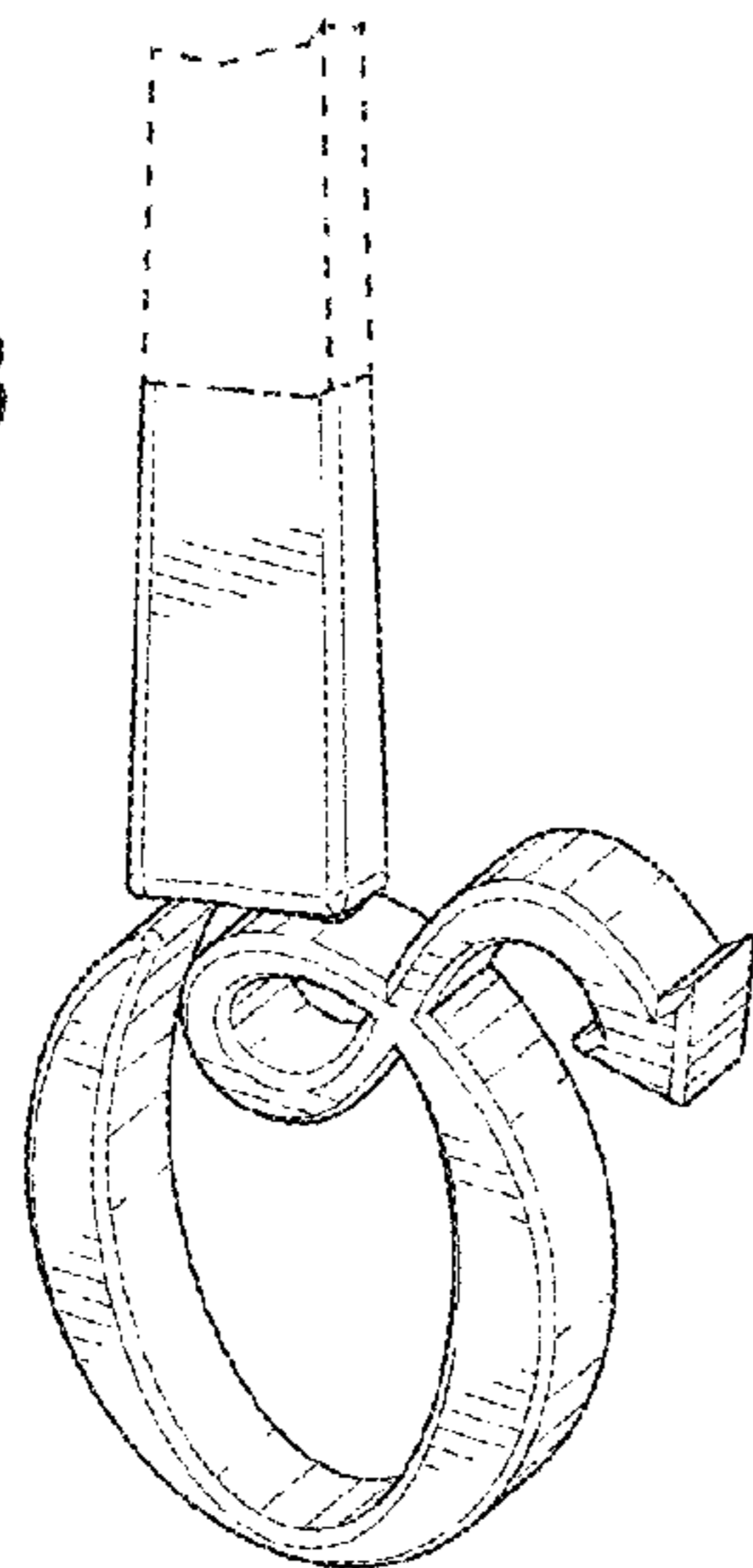


FIG. 8

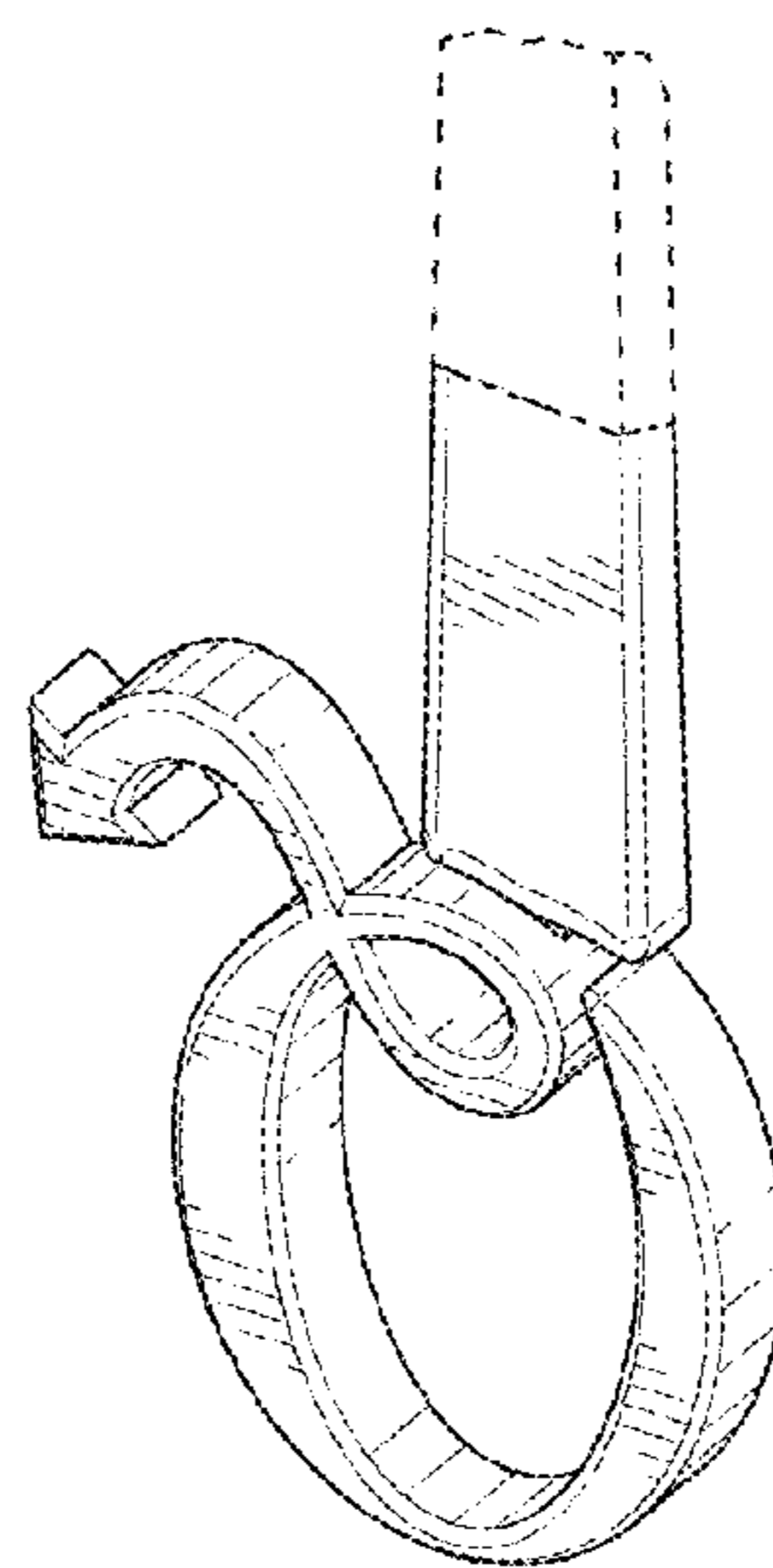


FIG. 9