

US00D794372S

(12) **United States Design Patent** (10) **Patent No.:** **US D794,372 S**  
**Lin** (45) **Date of Patent:** **\*\* Aug. 15, 2017**

- (54) **COLLAPSIBLE CHAIR FRAME**
- (71) Applicant: **Zhuhai Shichang Metals, Ltd.**, Zhuhai (CN)
- (72) Inventor: **ChenKang Lin**, Kaonsiung (TW)
- (73) Assignee: **Zhuhai Shichang Metals Ltd.**, Zhuhai (CN)
- (\*\*) Term: **15 Years**
- (21) Appl. No.: **29/585,772**
- (22) Filed: **Nov. 29, 2016**
- (51) **LOC (10) Cl.** ..... **06-01**
- (52) **U.S. Cl.**  
USPC ..... **D6/716; D6/368**
- (58) **Field of Classification Search**  
USPC ..... D6/334-336, 368, 371-373, 374, 376, D6/379, 380, 716, 716.1, 716.2, 716.3, D6/716.4  
CPC .. A47C 3/04; A47C 3/045; A47C 4/00; A47C 4/03; A47C 4/04; A47C 4/08; A47C 4/14; A47C 4/18; A47C 4/20; A47C 4/24; A47C 5/04  
See application file for complete search history.

- D458,468 S \* 6/2002 Levrangi ..... D6/376
- 6,669,281 B1 12/2003 Huang
- D504,254 S \* 4/2005 Yang ..... D6/716
- D506,325 S \* 6/2005 Farber ..... D6/368
- D534,019 S 12/2006 Lu et al.
- 7,219,955 B2 5/2007 Lu et al.
- (Continued)

**OTHER PUBLICATIONS**

MightyLite: Durability by Design—Mesh One Folding Chair; Informational brochure; pp. 1-4.  
(Continued)

*Primary Examiner* — Mimoso De  
(74) *Attorney, Agent, or Firm* — Luedeka Neely Group PC

(57) **CLAIM**

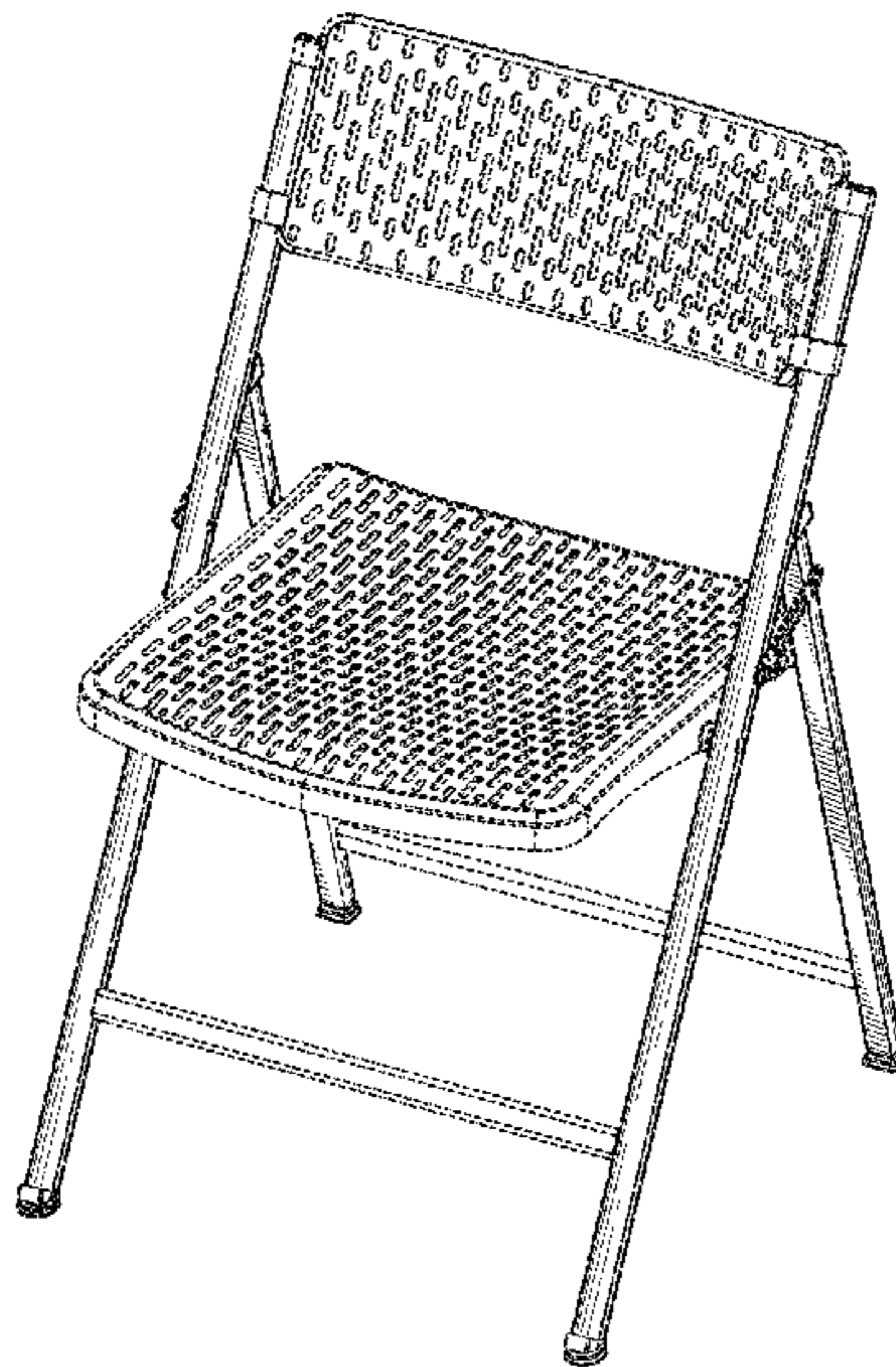
The ornamental design for a collapsible chair frame, as shown and described.

**DESCRIPTION**

FIG. 1 is a top perspective view of the collapsible chair frame;  
FIG. 2 is a bottom perspective view of the collapsible chair frame;  
FIG. 3 is a front elevation view of the collapsible chair frame;  
FIG. 4 is a rear elevation view of the collapsible chair frame;  
FIG. 5 is a right side elevation view of the collapsible chair frame;  
FIG. 6 is a left side elevation view of the collapsible chair frame;  
FIG. 7 is a top plan view of the collapsible chair frame; and, FIG. 8 is a bottom plan view of the collapsible chair frame. The broken lines shown in the figures are included for the purpose of illustrating environment only and form no part of the claimed design.

**1 Claim, 8 Drawing Sheets**

- (56) **References Cited**  
U.S. PATENT DOCUMENTS  
D107,545 S \* 12/1937 O'Connor ..... D6/368  
2,458,095 A \* 1/1949 O'Connor ..... A47C 4/24  
297/452.18  
2,757,715 A 8/1956 Hendrickson  
3,094,357 A \* 6/1963 Shwayder ..... A47C 4/24  
297/452.1  
5,096,256 A 3/1992 Stanfield  
5,634,684 A 6/1997 Kojima et al.  
5,718,474 A 2/1998 Kojima et al.  
5,738,408 A 4/1998 Wu  
D435,977 S \* 1/2001 Ambasz ..... D6/368



(56)

**References Cited**

U.S. PATENT DOCUMENTS

D544,225 S \* 6/2007 Cantarutti ..... D6/368  
7,293,826 B2 11/2007 Lu et al.  
7,513,567 B2 4/2009 Huang  
D599,127 S \* 9/2009 Smith ..... D6/368  
D603,196 S \* 11/2009 Su ..... D6/716.4  
8,029,059 B2 10/2011 Smith et al.  
D647,718 S \* 11/2011 Chen ..... D6/368  
D648,554 S \* 11/2011 Smith ..... D6/368  
D653,471 S \* 2/2012 Chan ..... D6/368  
D655,932 S \* 3/2012 Ashby ..... D6/368  
D667,649 S \* 9/2012 Waite ..... A47C 4/20  
D6/368  
D710,623 S \* 8/2014 Peery ..... D6/368  
D721,528 S \* 1/2015 Peery ..... D6/368  
D756,695 S \* 5/2016 Hurford ..... D6/716.4  
D767,321 S \* 9/2016 Xingchang ..... D6/716.4

OTHER PUBLICATIONS

MightyLite: Durability by Design—OneSeries Pro Folding Chair;  
Informational brochure; pp. 1-4.

\* cited by examiner

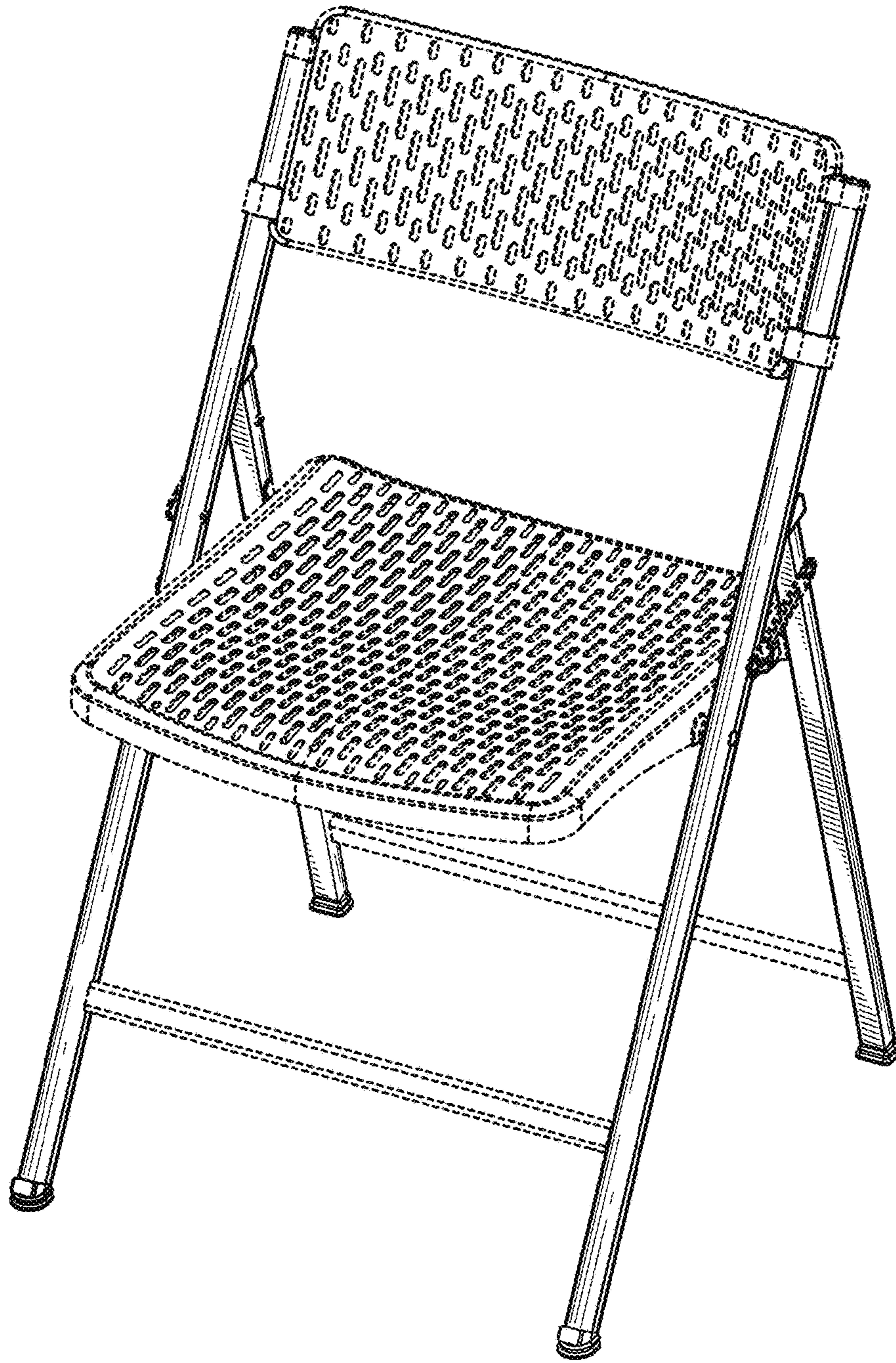


FIG. 1



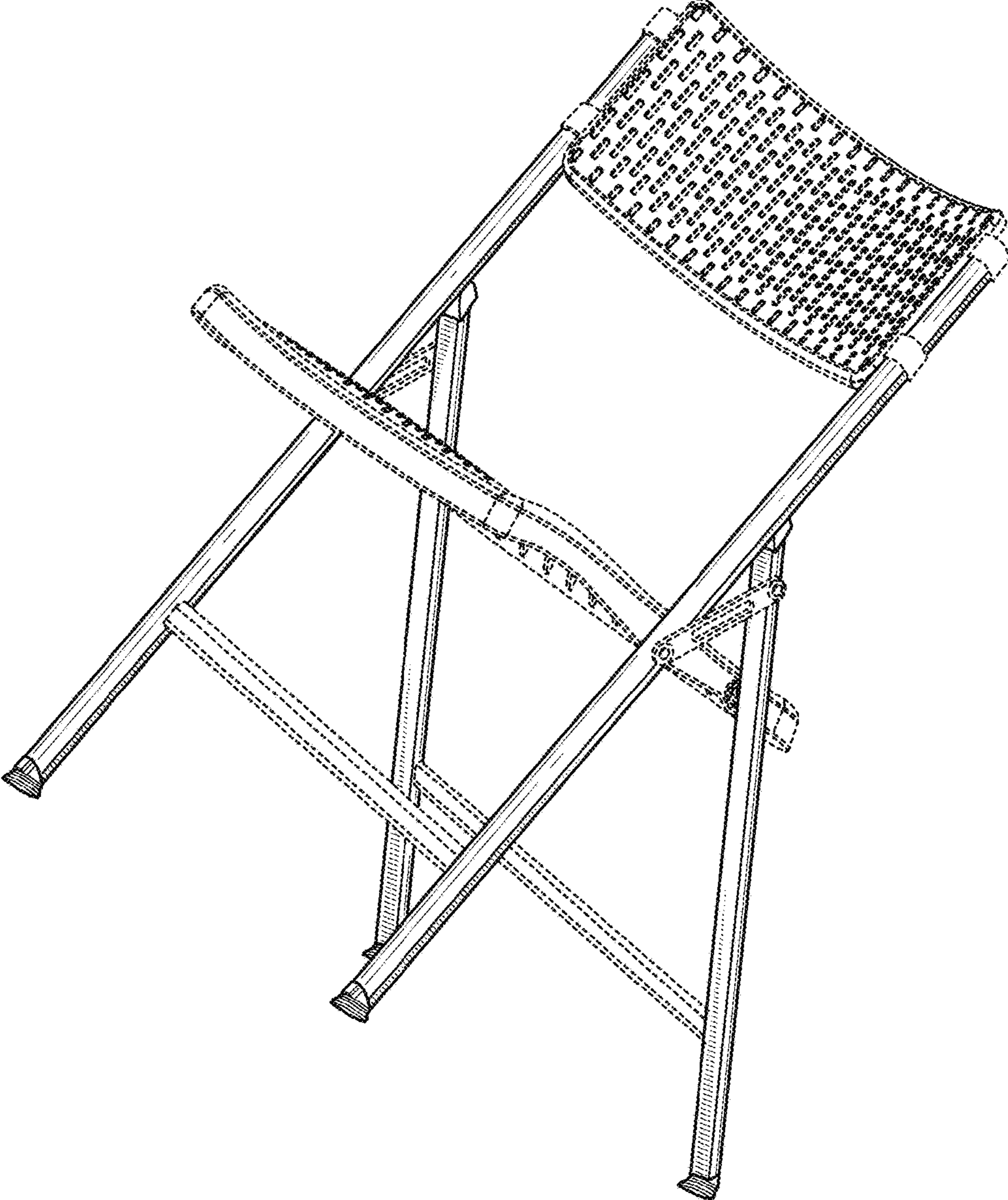


FIG. 2

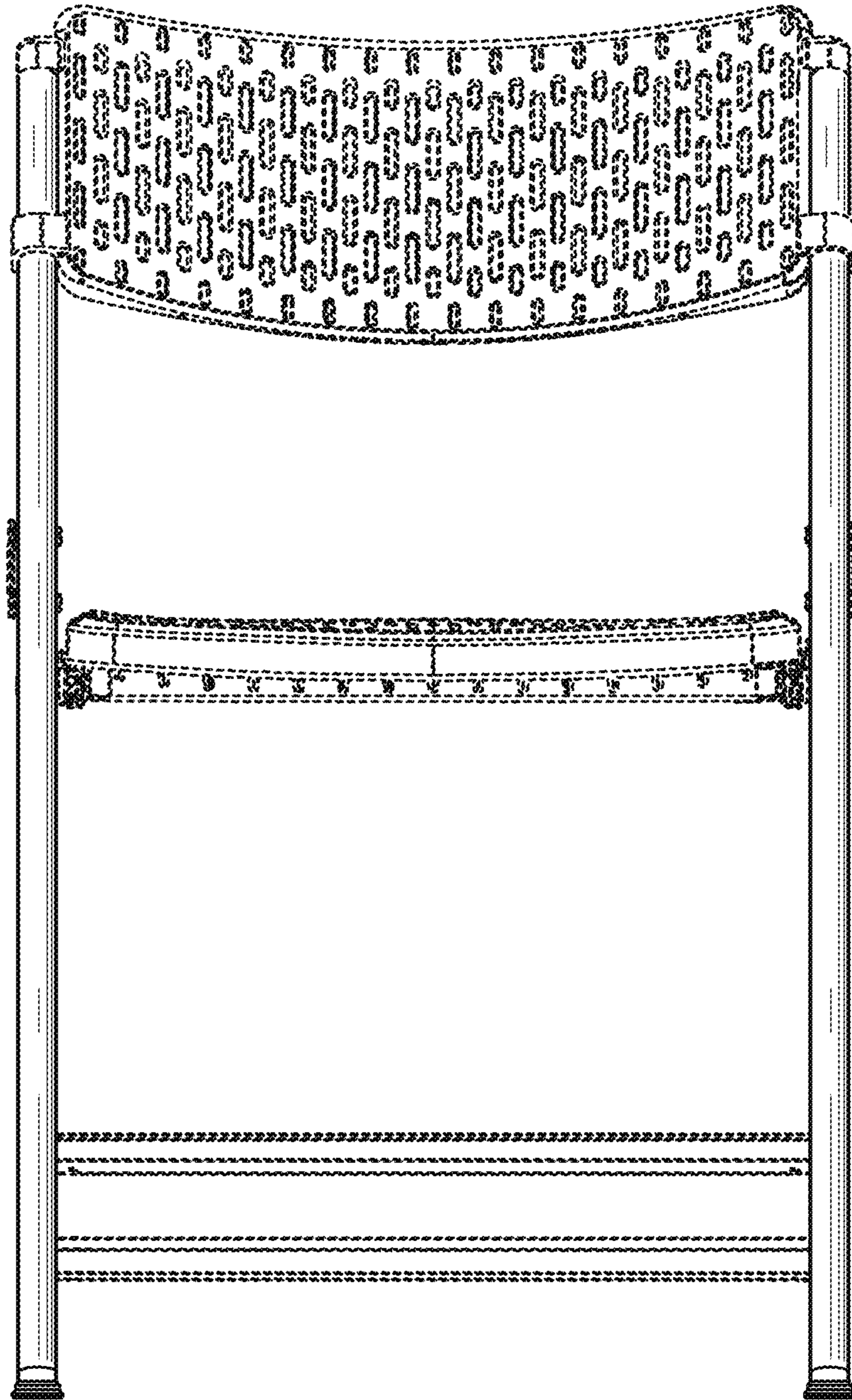


FIG. 3

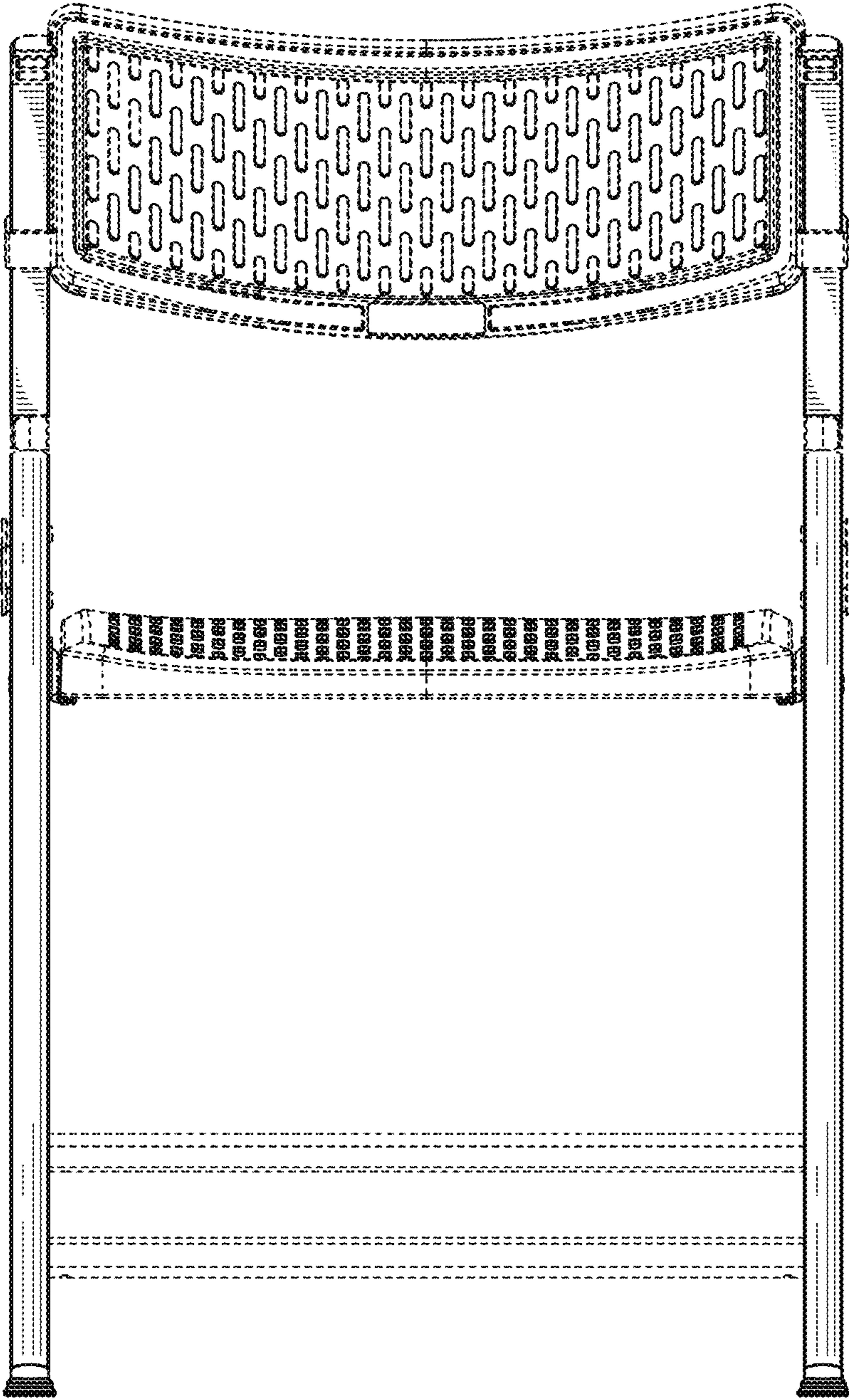


FIG. 4



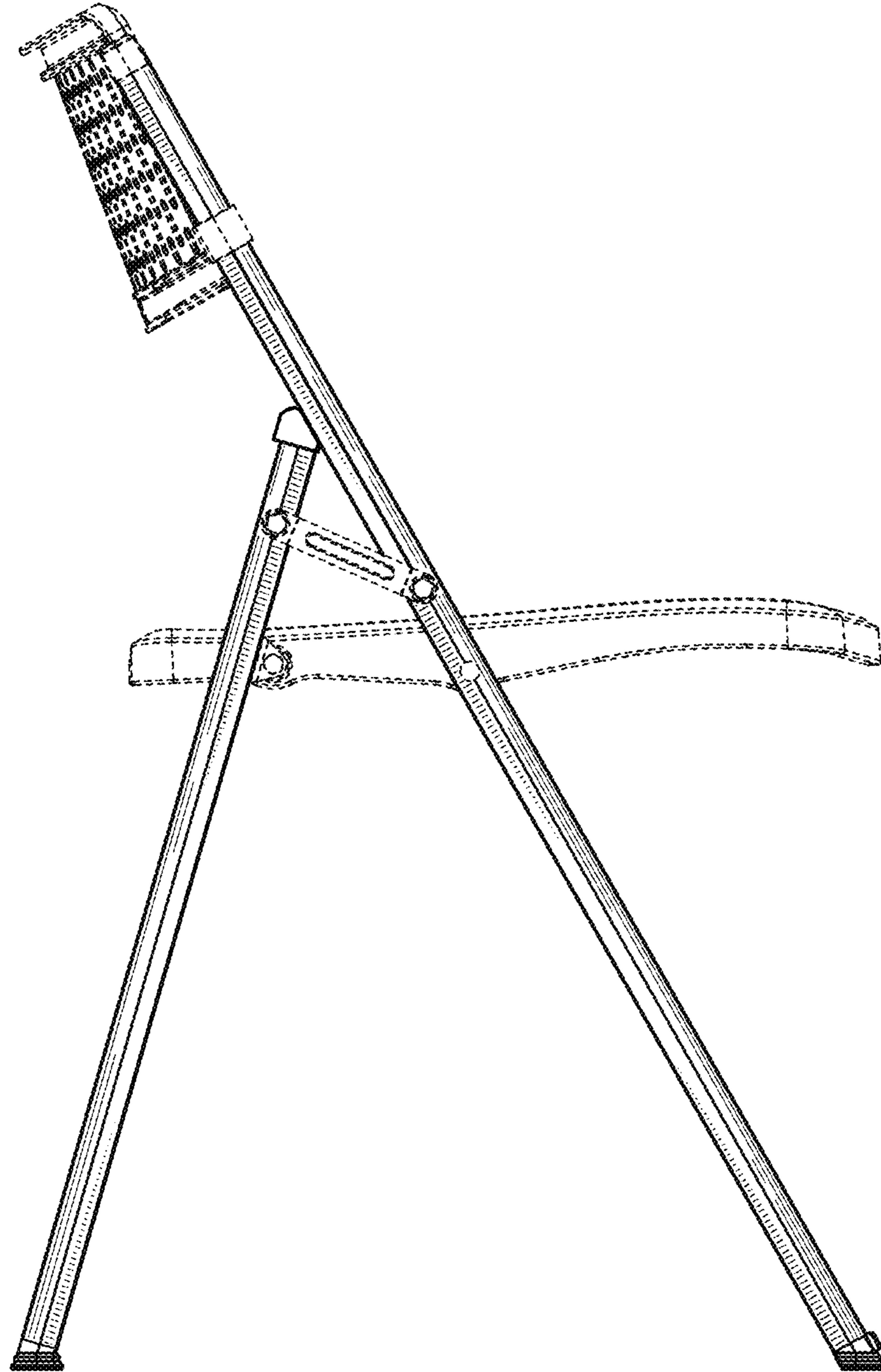


FIG. 5

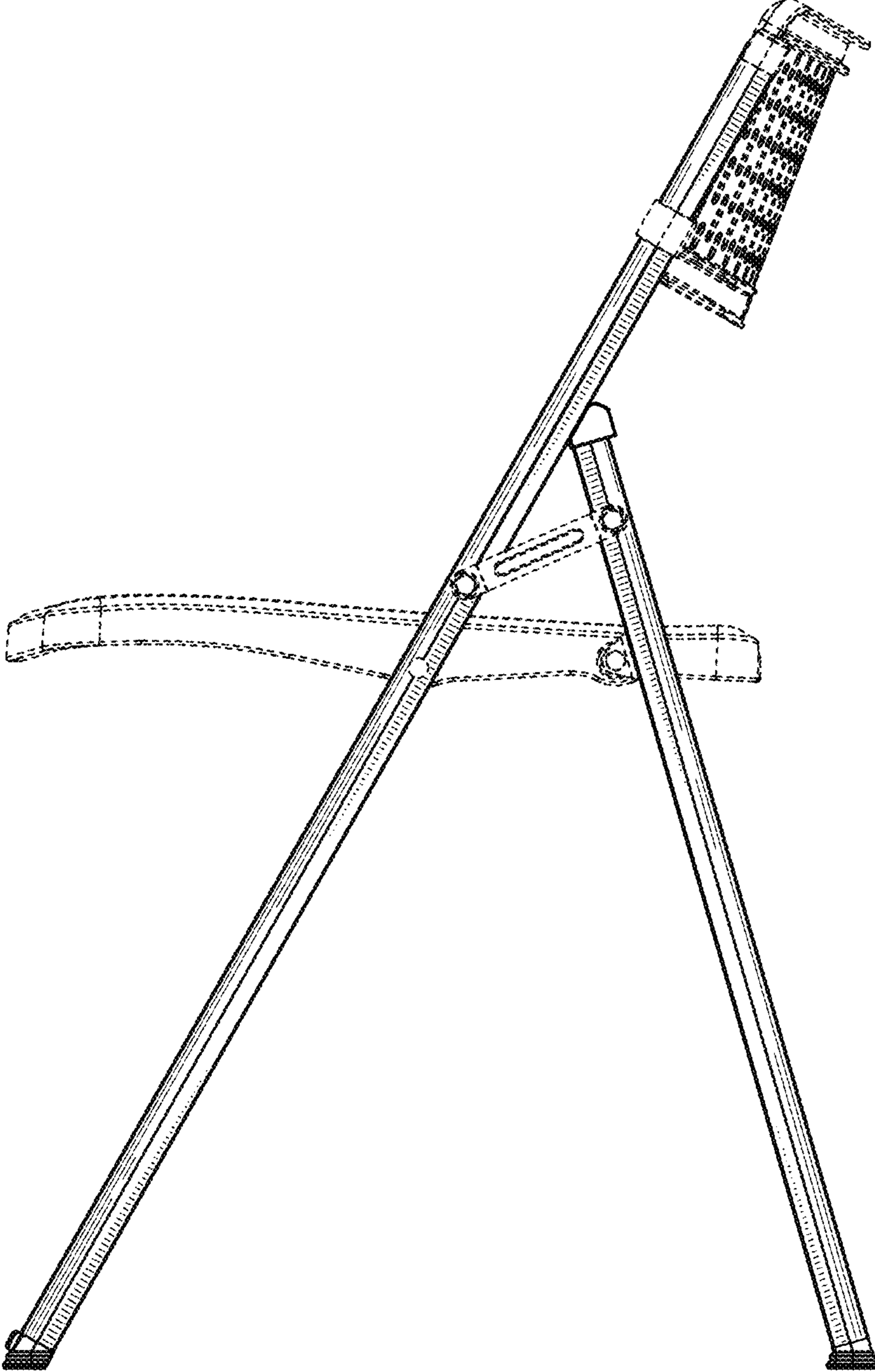


FIG. 6



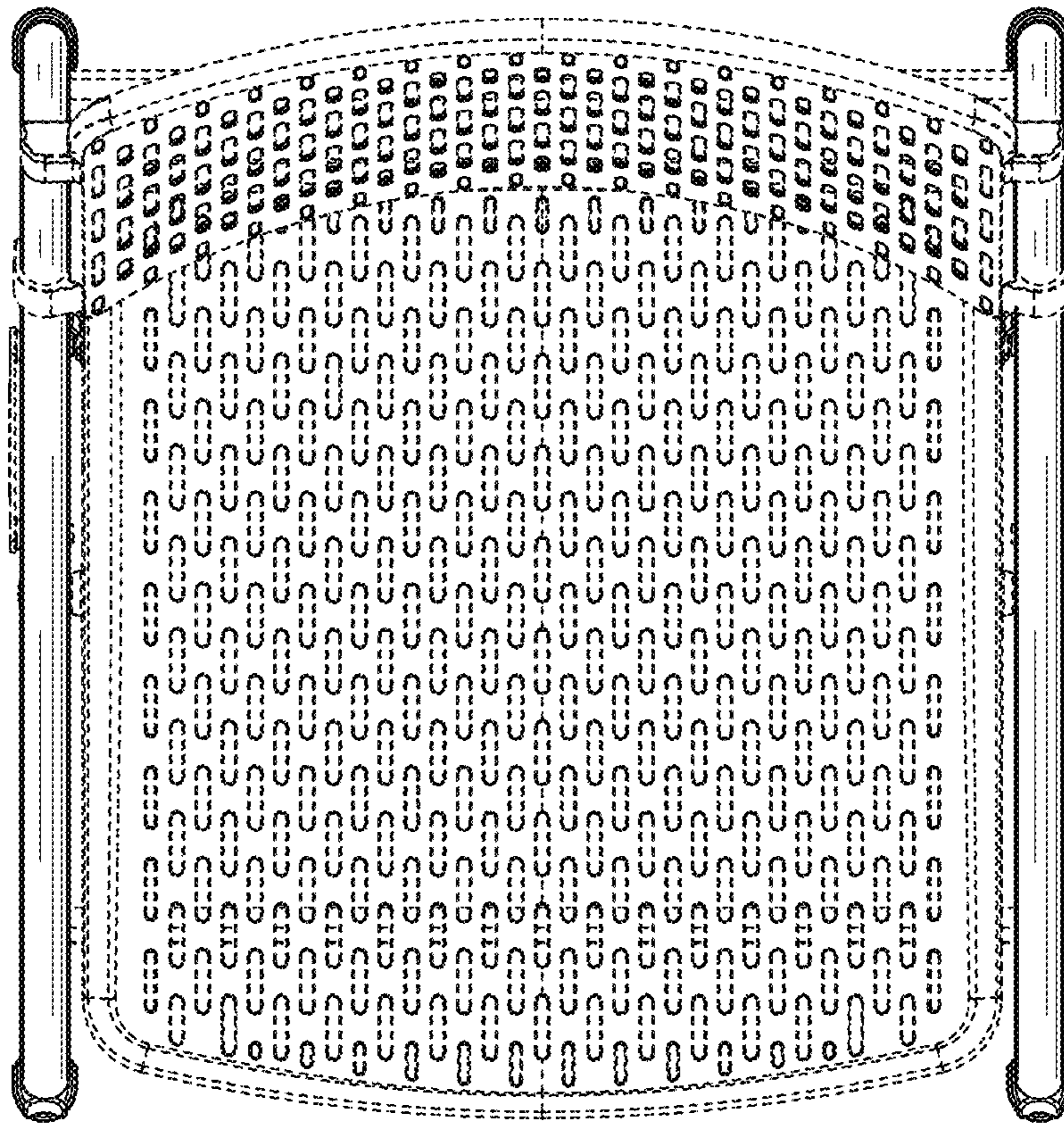


FIG. 7

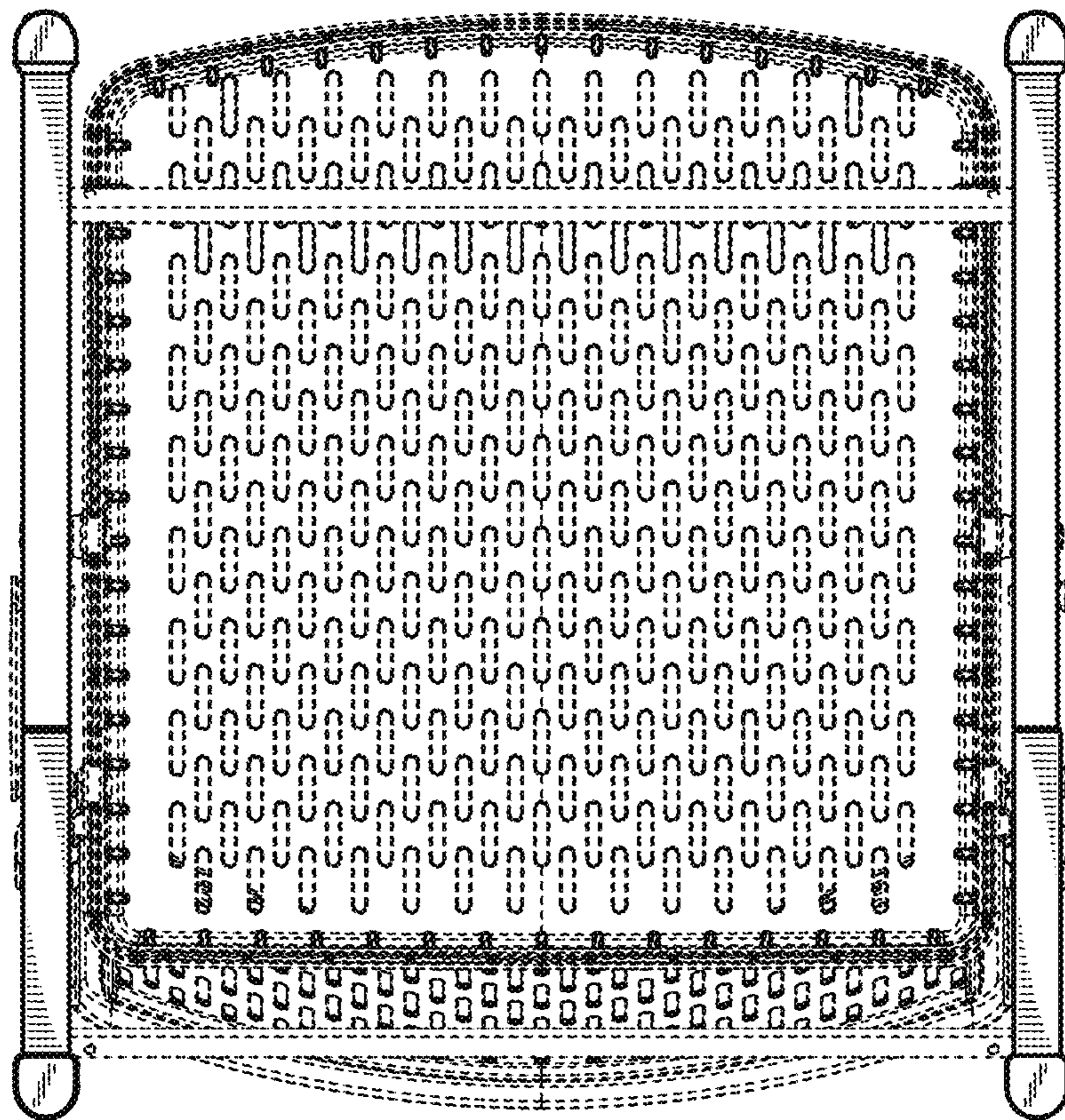


FIG. 8