



US00D794371S

(12) **United States Design Patent** (10) **Patent No.:** **US D794,371 S**
Swy (45) **Date of Patent:** **** Aug. 15, 2017**

(54) **CHAIR**

(71) Applicant: **Michigan Tube Swagers & Fabricators, Inc.**, Temperance, MI (US)

(72) Inventor: **Joshua Paul Swy**, Lambertville, MI (US)

(73) Assignee: **Michigan Tube Swagers & Fabricators, Inc.**, Temperance, MI (US)

(**) Term: **15 Years**

(21) Appl. No.: **29/563,989**

(22) Filed: **May 10, 2016**

(51) **LOC (10) Cl.** **06-01**

(52) **U.S. Cl.**
USPC **D6/716**

(58) **Field of Classification Search**
USPC D6/334-336, 364, 365, 366, 371-375, D6/379, 380, 716, 716.1, 716.2, 716.4
CPC A47C 3/12; A47C 4/02; A47C 4/03; A47C 5/12; A47C 7/18; A47C 7/24; A47C 7/54
See application file for complete search history.

(56) **References Cited**

U.S. PATENT DOCUMENTS

3,841,704	A	*	10/1974	Platner	A47C 3/12 297/440.2
D233,809	S	*	12/1974	Platner	D6/366
D236,302	S	*	8/1975	Prizlow	D6/366
D245,378	S	*	8/1977	Roericht	D6/366
D245,886	S	*	9/1977	Wilson	D6/366
D259,155	S	*	5/1981	Buhk	D6/366
D260,205	S	*	8/1981	Buhk	D6/366
D288,388	S	*	2/1987	Ochsner	D6/366
D330,810	S	*	11/1992	Stafford	D6/366
D358,514	S	*	5/1995	Lovegrove	D6/375
D609,037	S	*	2/2010	Miller	D6/716

D648,158	S	*	11/2011	Kubryk	D6/716
D654,732	S	*	2/2012	Kubryk	D6/716
D660,054	S	*	5/2012	Kane	D6/716
D660,055	S	*	5/2012	Kane	D6/716
D664,381	S	*	7/2012	Kubryk	D6/366
D729,563	S	*	5/2015	Kubryk	D6/716
D730,097	S	*	5/2015	Kubryk	D6/716
D730,098	S	*	5/2015	Kubryk	D6/716
D730,099	S	*	5/2015	Kubryk	D6/716
D730,670	S	*	6/2015	Kubryk	D6/716

OTHER PUBLICATIONS

Allermuir EPA—Phoulds (2016).
Aston Conference / 4 Ways (2007).
Aston Direction / 4 Ways (2007).
Canadian Industrial Design Database—Reg. No. 162039 (2016).
The Dunas XL Collection—Sandler Seating (2016).

* cited by examiner

Primary Examiner — Mimosa De
(74) *Attorney, Agent, or Firm* — Dinsmore & Shohl LLP

(57) **CLAIM**

The ornamental design for a chair, as shown and described.

DESCRIPTION

FIG. 1 is a perspective view of a chair in accordance with the present invention;
FIG. 2 is a front view of the chair of FIG. 1;
FIG. 3 is a rear view of the chair of FIGS. 1-2;
FIG. 4 is a side view of the chair of FIGS. 1-3, the opposite side being a mirror image thereof;
FIG. 5 is a top view of the chair of FIGS. 1-4; and,
FIG. 6 is a bottom view of the chair of FIGS. 1-5.
The broken lines shown in the Figures are for environmental purposes only and form no part of the claimed design.
The dotted lines, shown on the seat, backrest and armrests in the drawing, are understood to represent stitching.

1 Claim, 6 Drawing Sheets

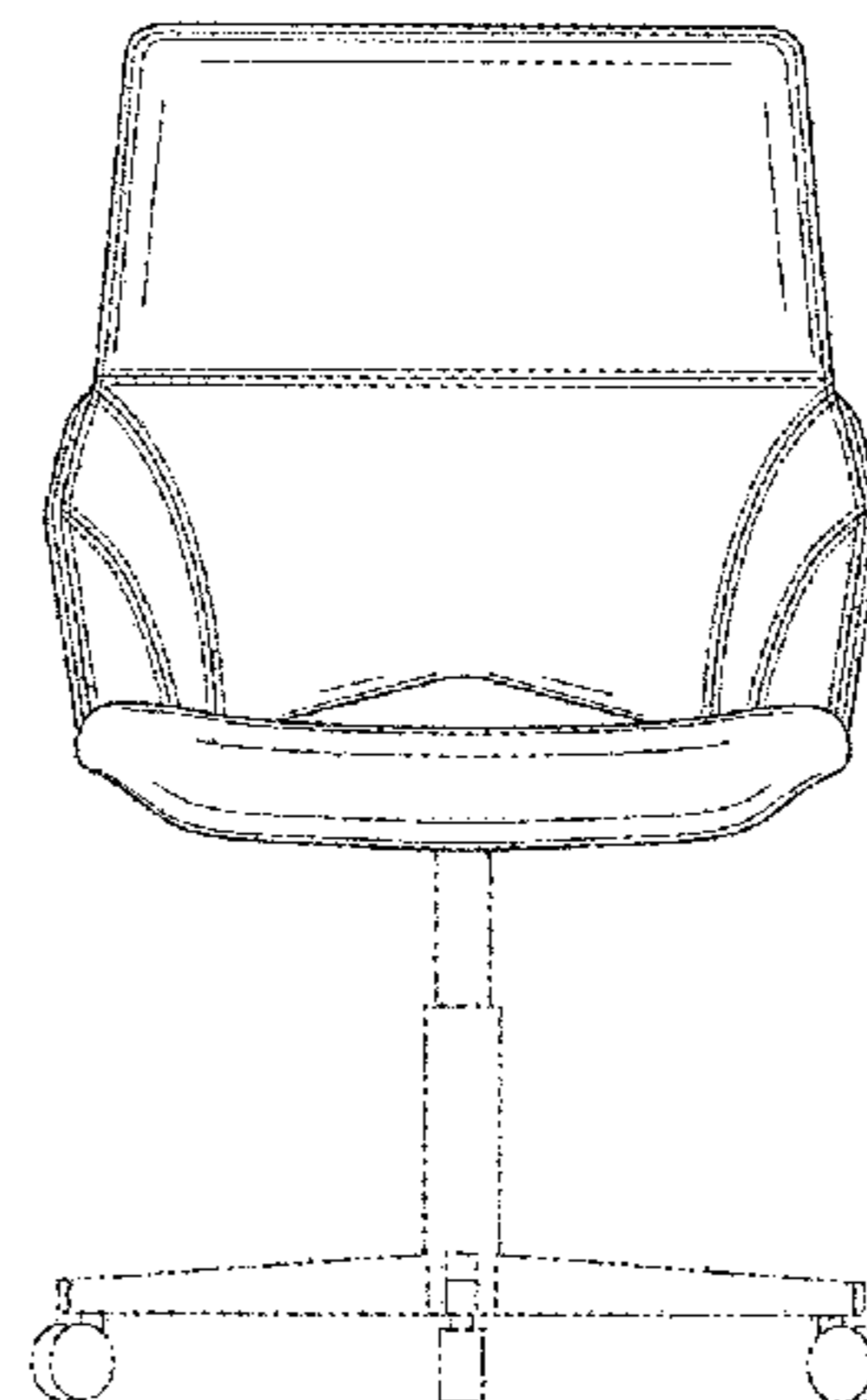
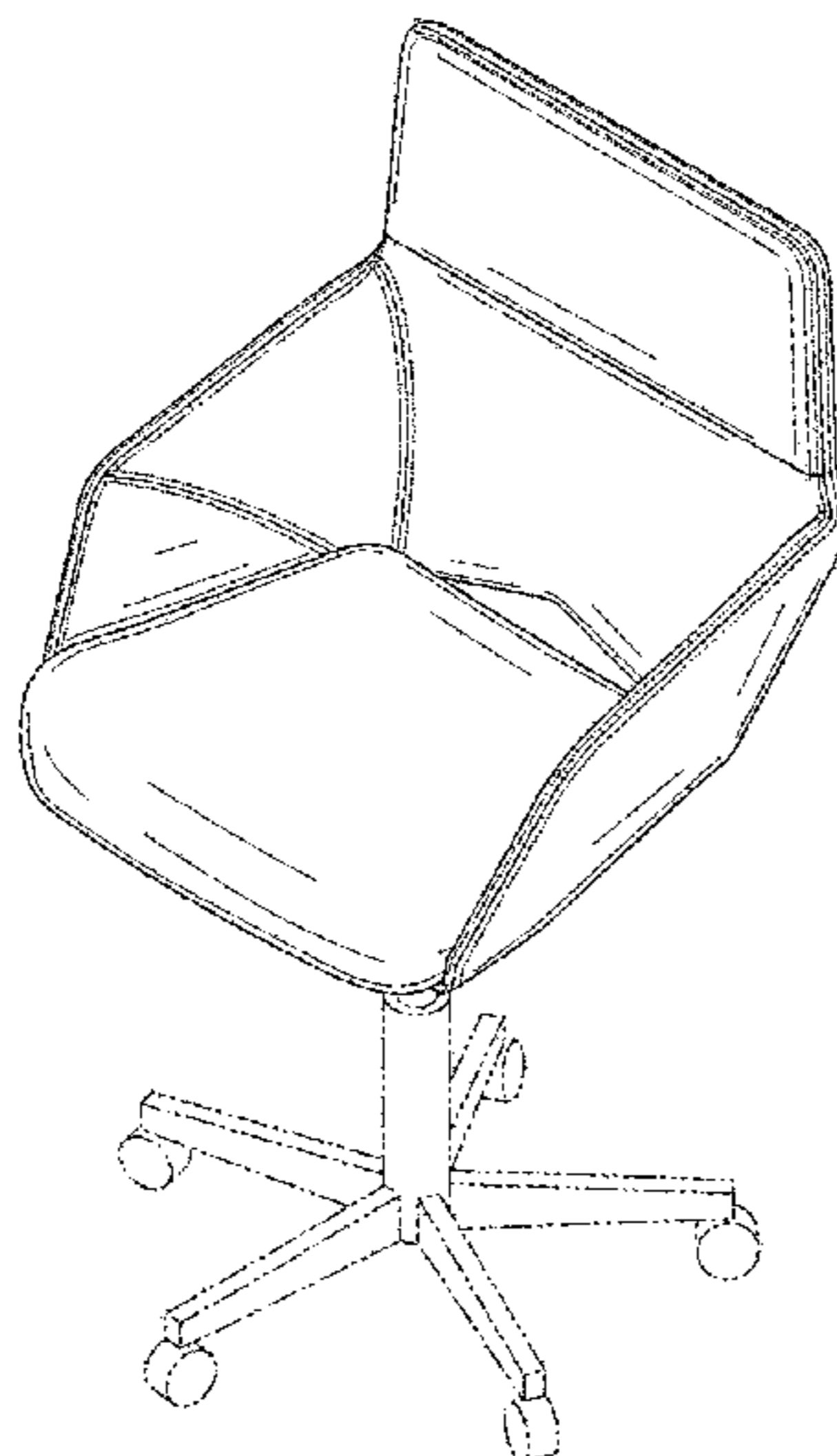
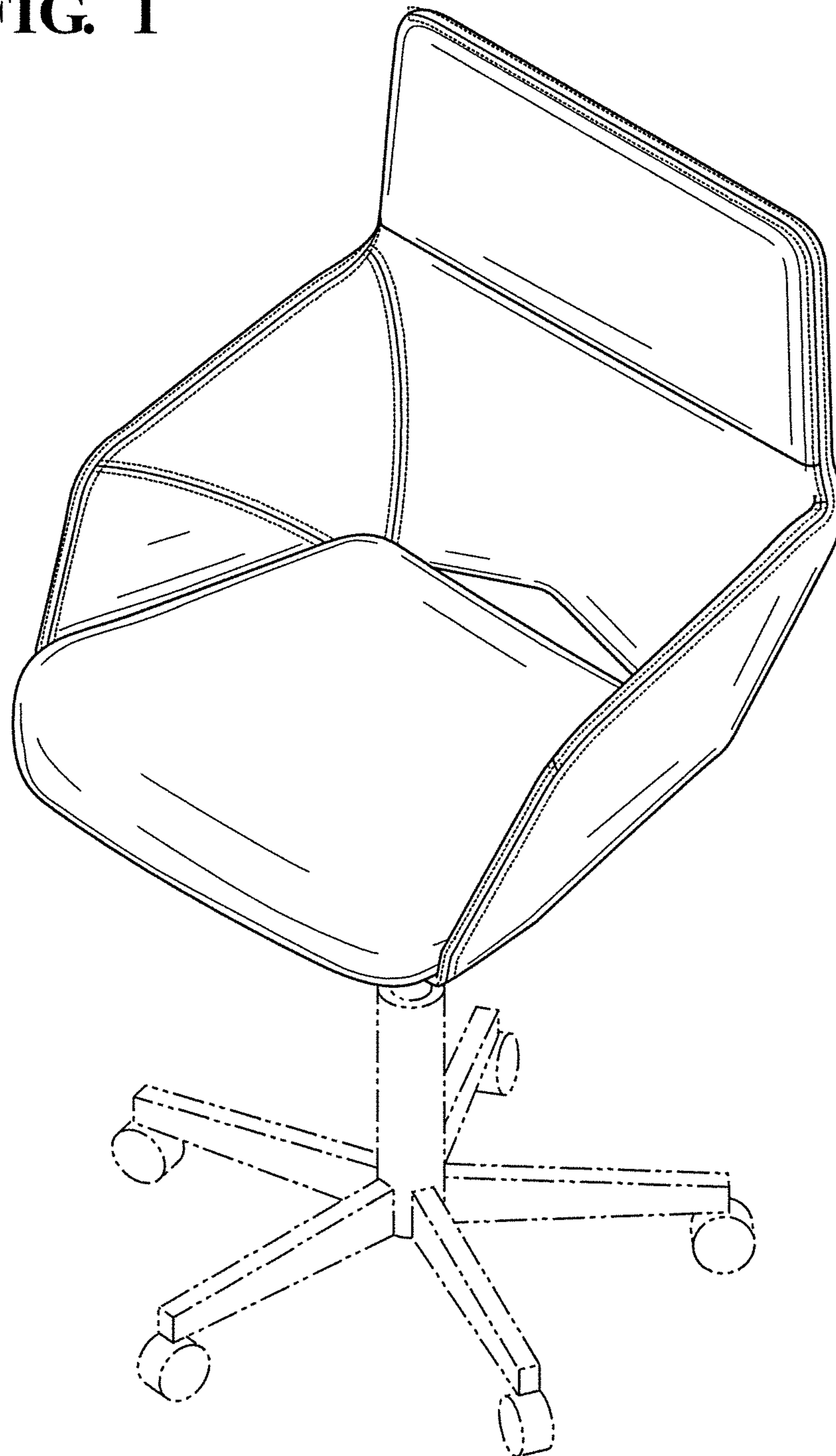


FIG. 1



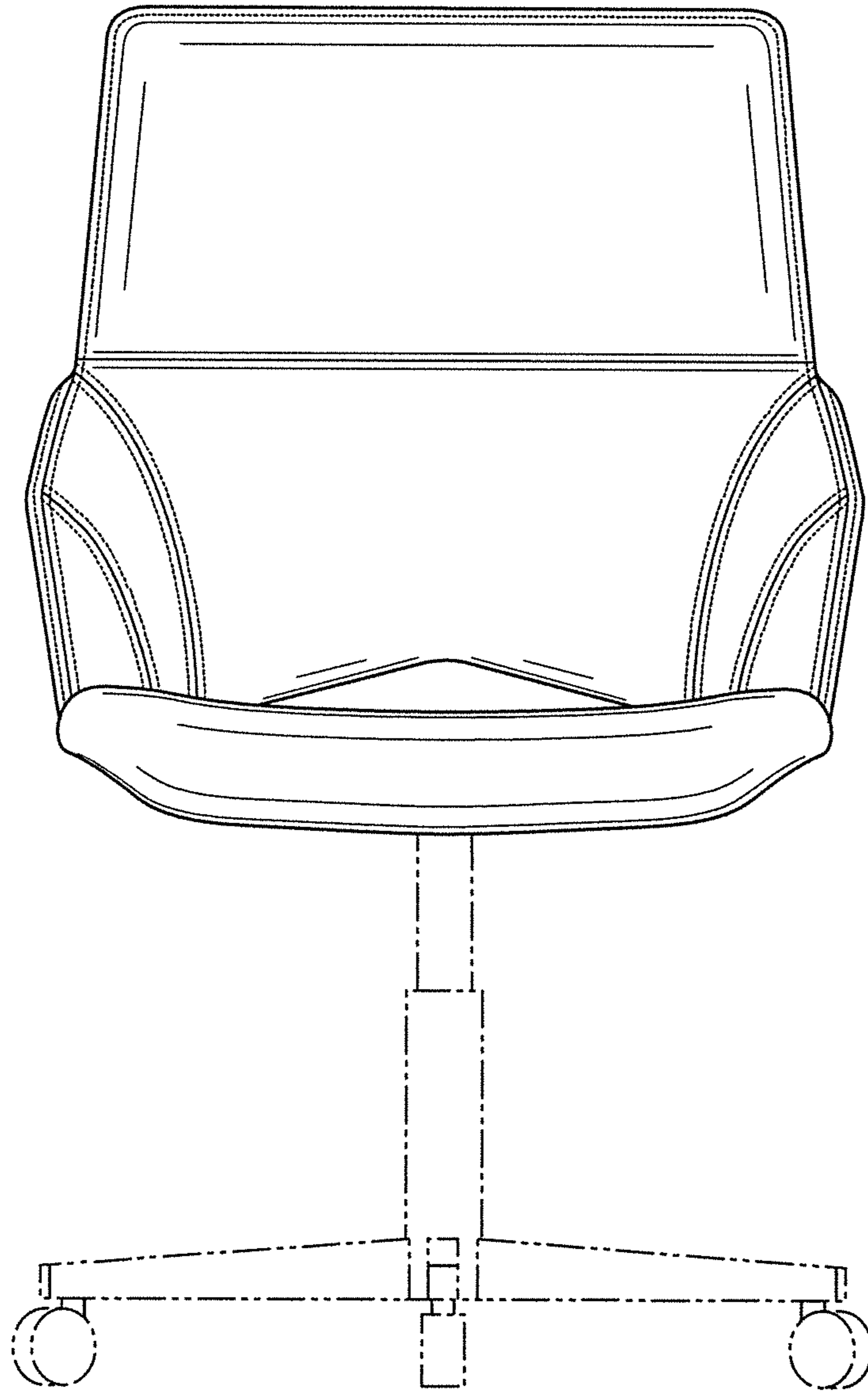


FIG. 2

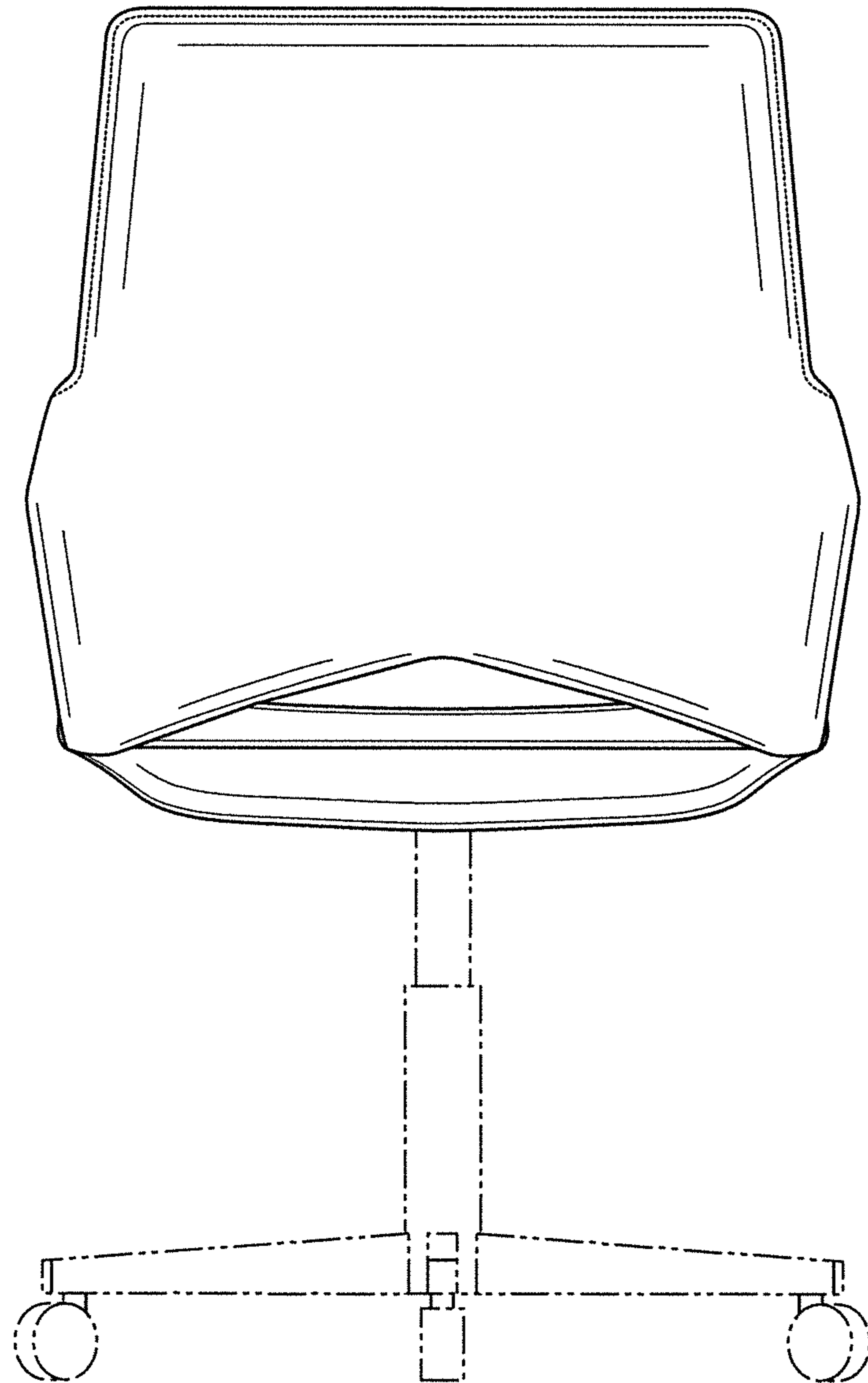


FIG. 3

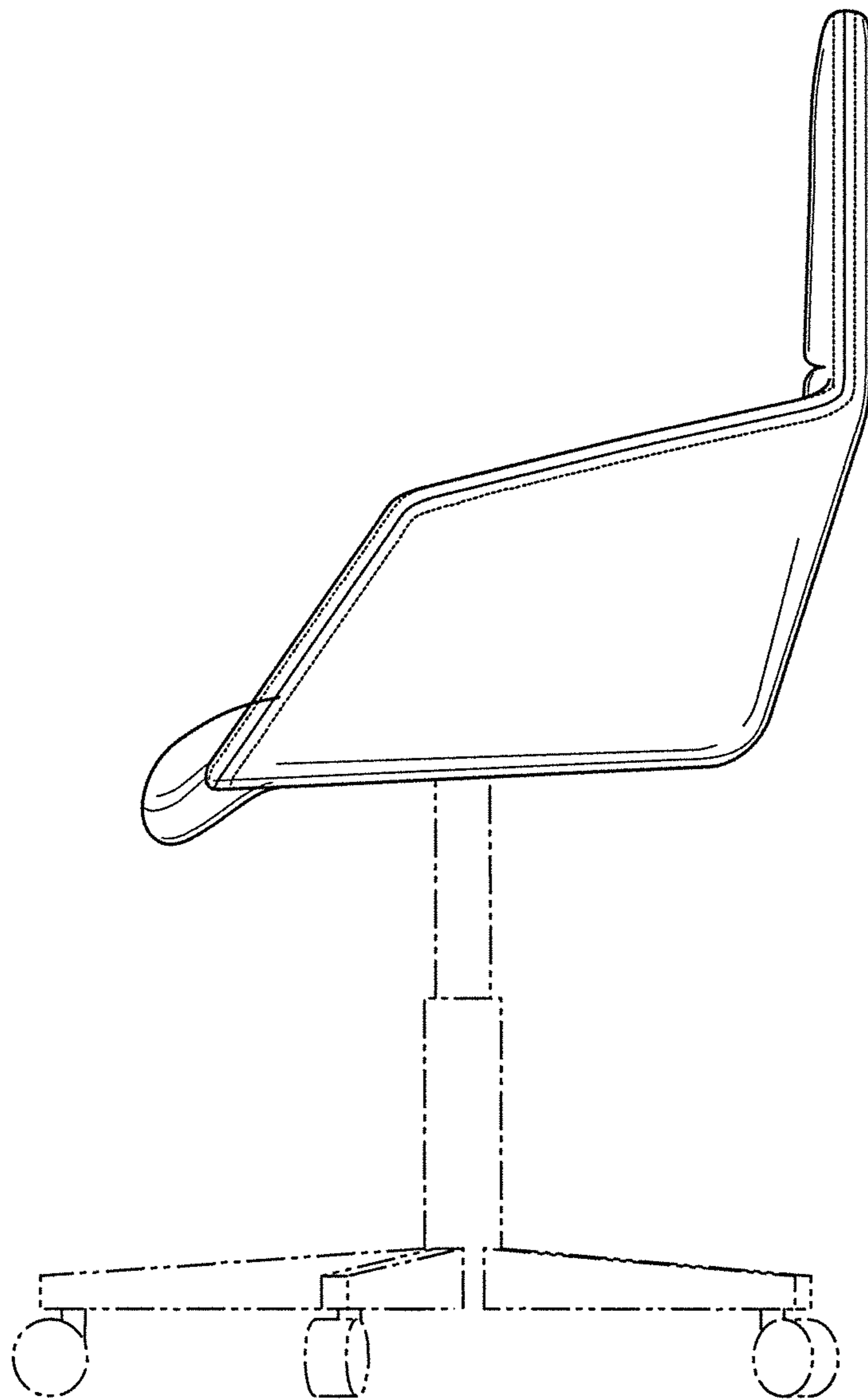


FIG. 4

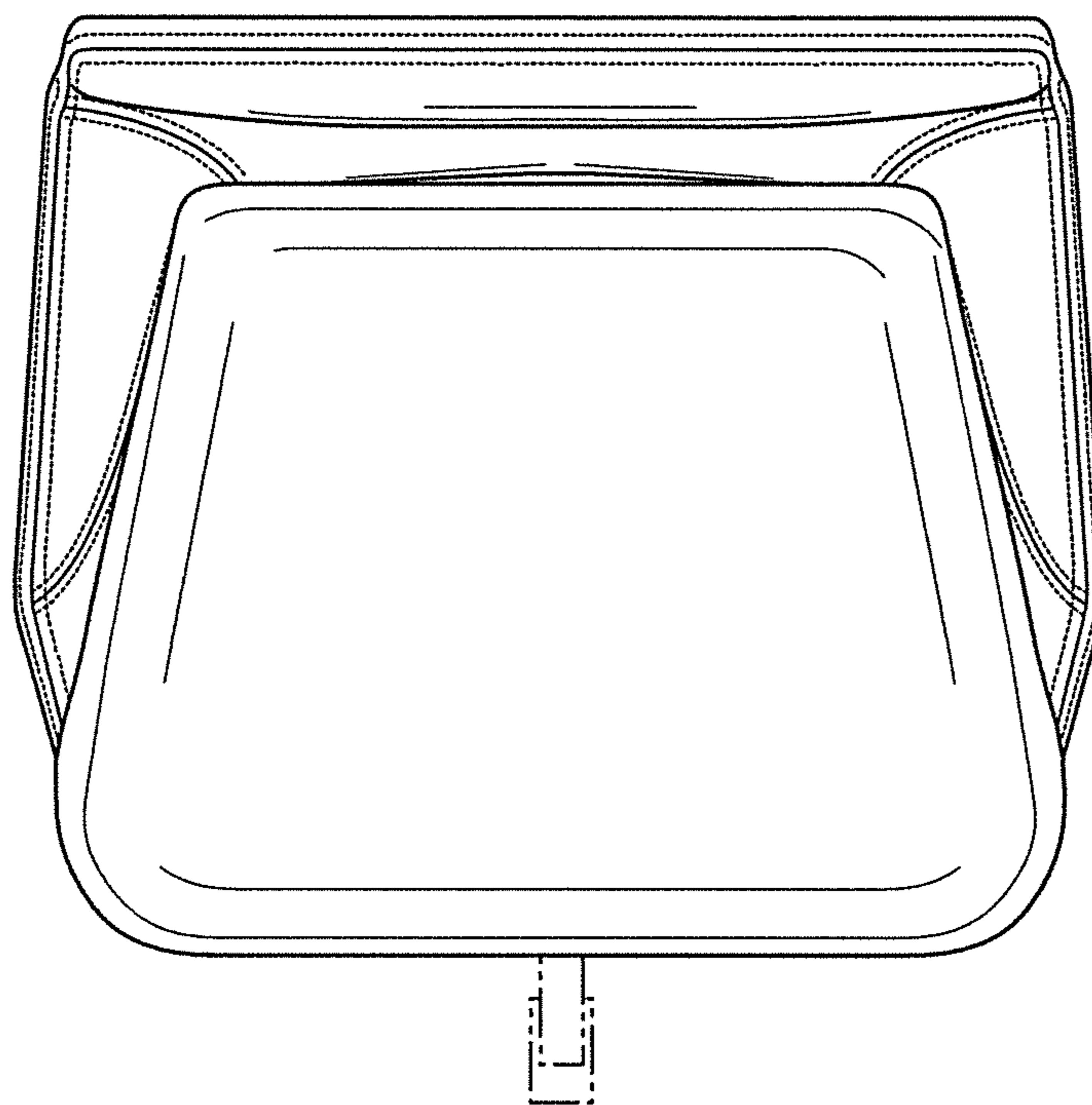


FIG. 5

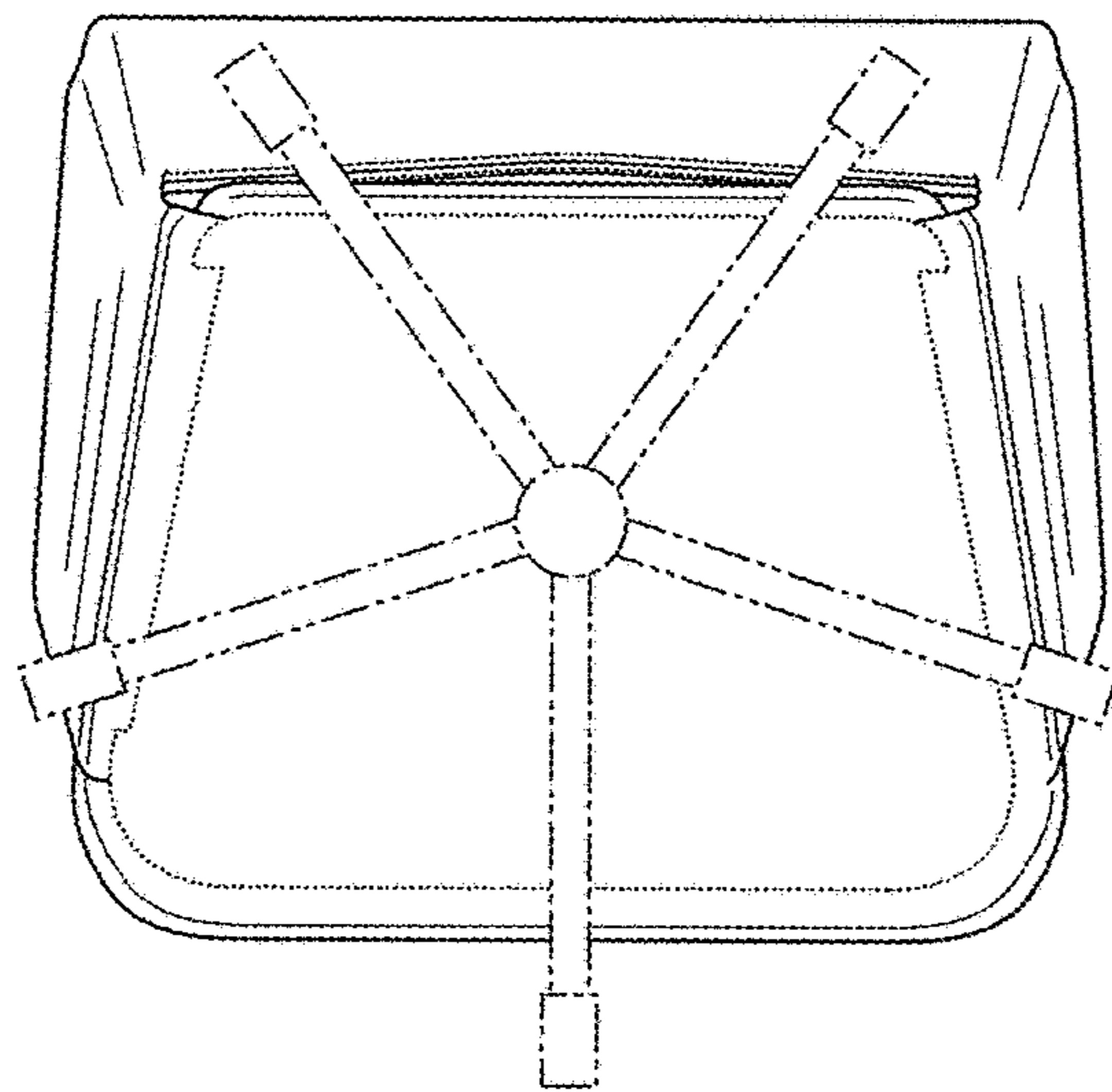


FIG. 6