

US00D794370S

(12) **United States Design Patent** (10) **Patent No.:** **US D794,370 S**  
Swy (45) **Date of Patent:** **\*\* Aug. 15, 2017**

(54) **CHAIR**

(71) Applicant: **Michigan Tube Swagers & Fabricators, Inc.**, Temperance, MI (US)

(72) Inventor: **Joshua Paul Swy**, Lambertville, MI (US)

(73) Assignee: **Michigan Tube Swagers & Fabricators, Inc.**, Temperance, MI (US)

(\*\*) Term: **15 Years**

(21) Appl. No.: **29/563,986**

(22) Filed: **May 10, 2016**

(51) **LOC (10) Cl.** ..... **06-01**

(52) **U.S. Cl.**  
USPC ..... **D6/716; D6/366**

(58) **Field of Classification Search**  
USPC ..... D6/334-336, 364, 365, 366, 371-375, D6/379, 380, 716, 716.1, 716.2, 716.4  
CPC .... A47C 3/12; A47C 4/02; A47C 4/03; A47C 5/12; A47C 7/18; A47C 7/24; A47C 7/54  
See application file for complete search history.

(56) **References Cited**

**U.S. PATENT DOCUMENTS**

3,841,704	A	*	10/1974	Platner	.....	A47C 3/12 297/440.2
D233,809	S	*	12/1974	Platner	.....	D6/375
D236,302	S	*	8/1975	Prizlow	.....	D6/366
D245,378	S	*	8/1977	Roericht	.....	D6/366
D245,886	S	*	9/1977	Wilson	.....	D6/366
D259,155	S	*	5/1981	Buhk	.....	D6/366
D260,205	S	*	8/1981	Buhk	.....	D6/366
D288,388	S	*	2/1987	Ochsner	.....	D6/366
D330,810	S	*	11/1992	Stafford	.....	D6/366
D358,514	S	*	5/1995	Lovegrove	.....	D6/375
D609,037	S	*	2/2010	Miller	.....	D6/716

D648,158	S	*	11/2011	Kubryk	.....	D6/716
D654,732	S	*	2/2012	Kubryk	.....	D6/716
D660,054	S	*	5/2012	Kane	.....	D6/716
D660,055	S	*	5/2012	Kane	.....	D6/716
D664,381	S	*	7/2012	Kubryk	.....	D6/366
D729,563	S	*	5/2015	Kubryk	.....	D6/716
D730,097	S	*	5/2015	Kubryk	.....	D6/716
D730,098	S	*	5/2015	Kubryk	.....	D6/716
D730,099	S	*	5/2015	Kubryk	.....	D6/716
D730,670	S	*	6/2015	Kubryk	.....	D6/716

**OTHER PUBLICATIONS**

Allermuir EPA—Phoulds (2016).  
Aston Conference / 4 Ways (2007).  
Aston Direction / 4 Ways (2007).  
Canadian industrial Design Database—Reg. No. 162039 (2016).  
The Dunas XL Collection—Sandler Seating (2016).

\* cited by examiner

*Primary Examiner* — Mimosa De  
(74) *Attorney, Agent, or Firm* — Dinsmore & Shohl LLP

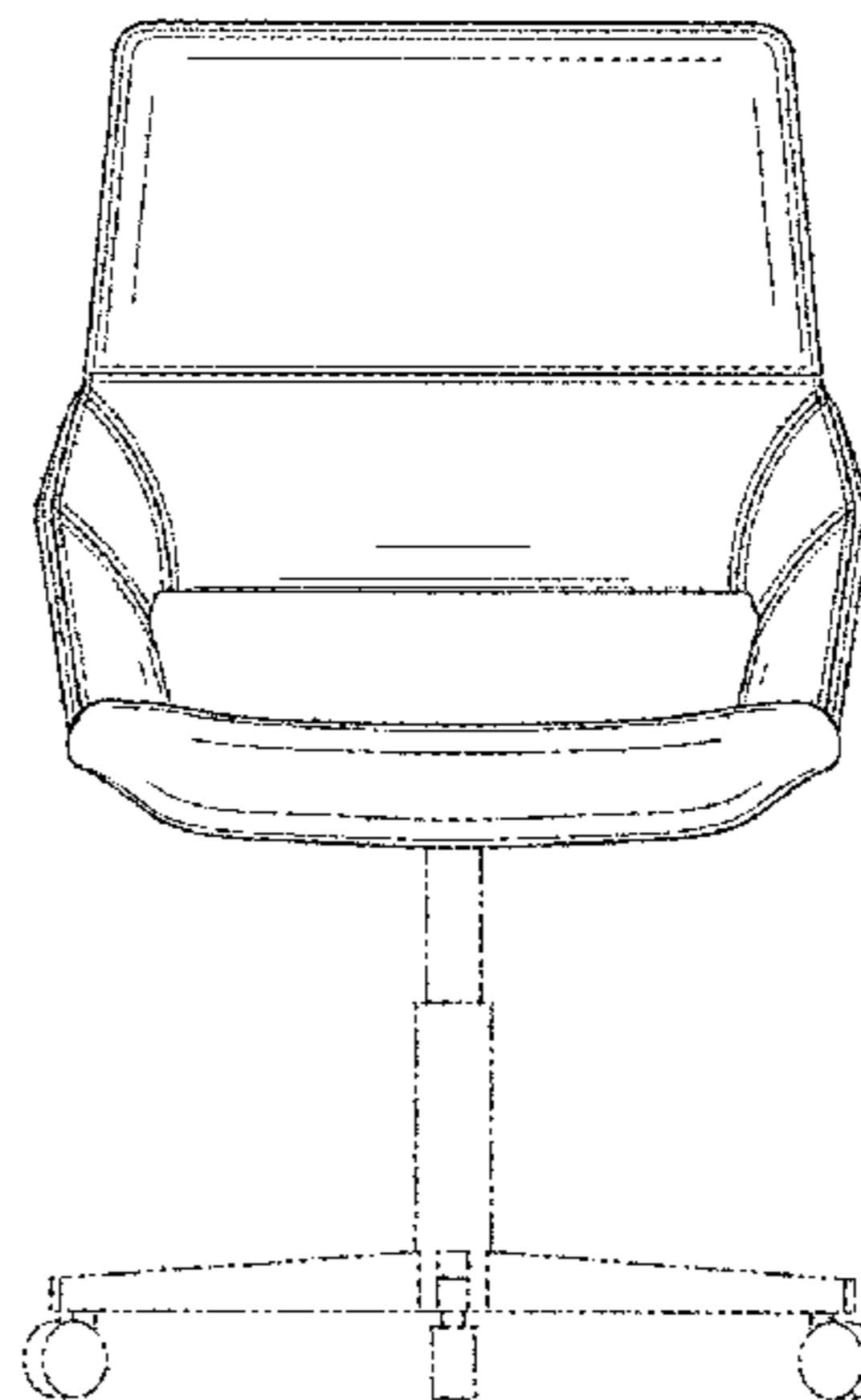
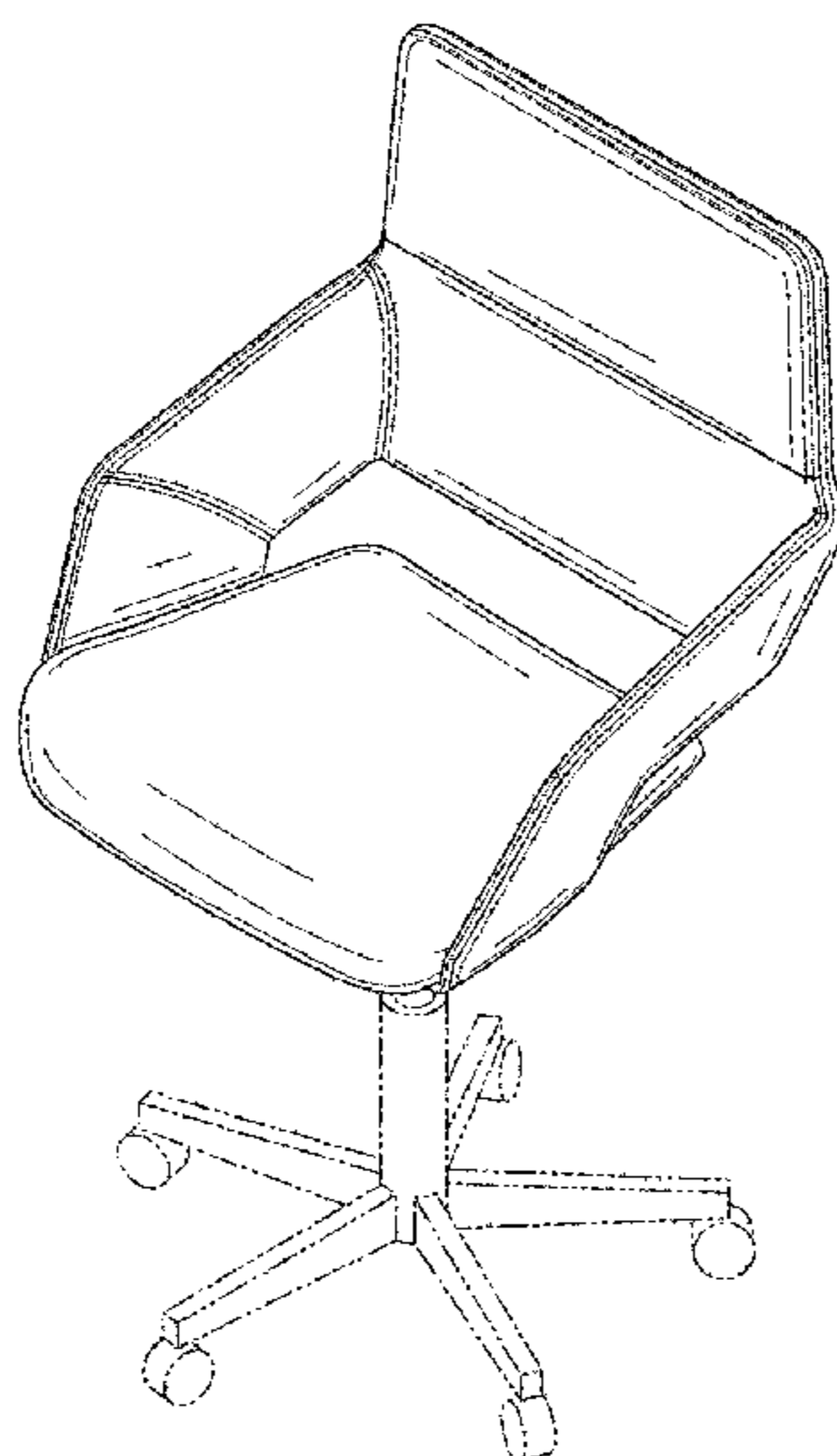
(57) **CLAIM**

The ornamental design for a chair, as shown and described.

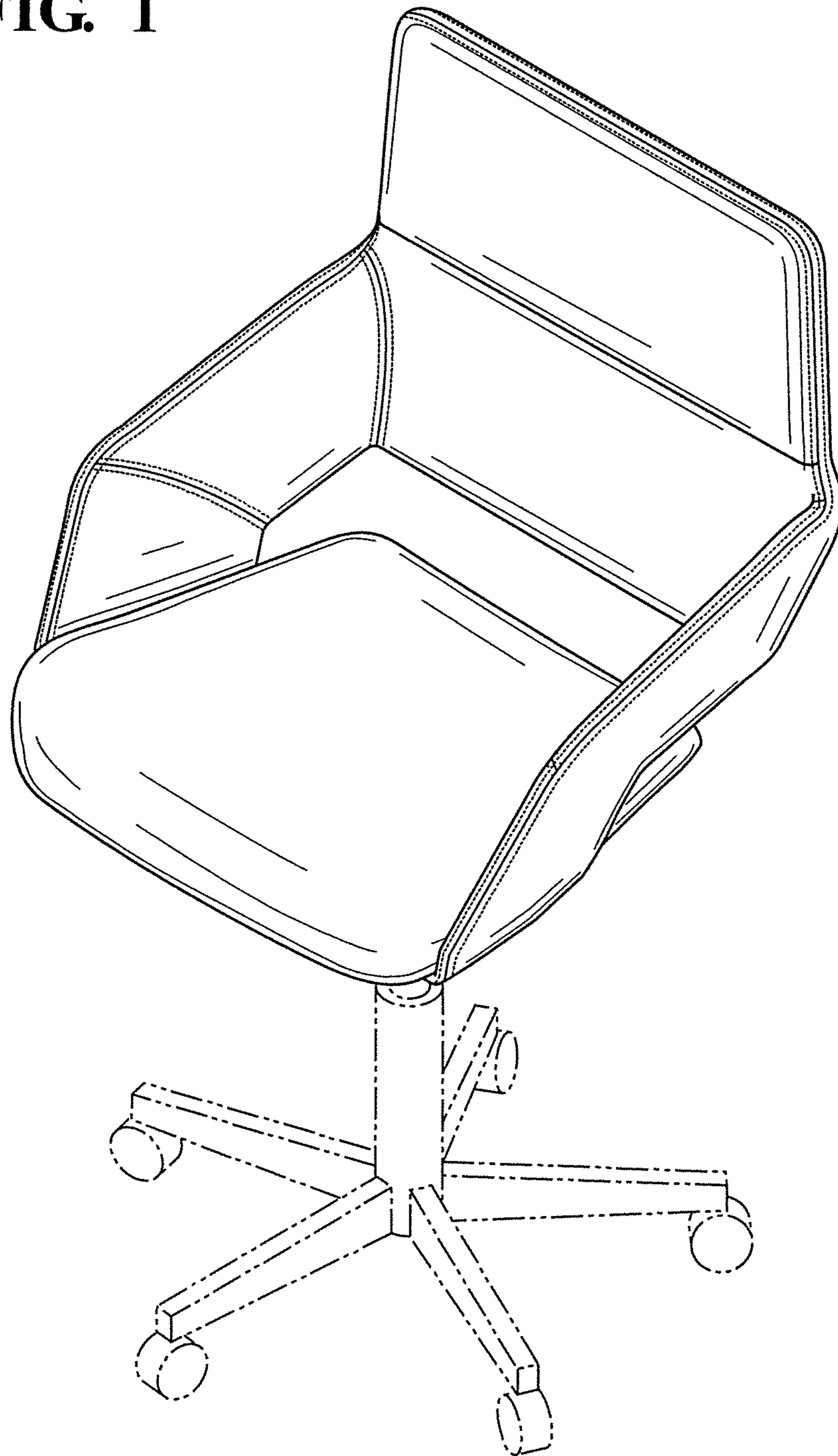
**DESCRIPTION**

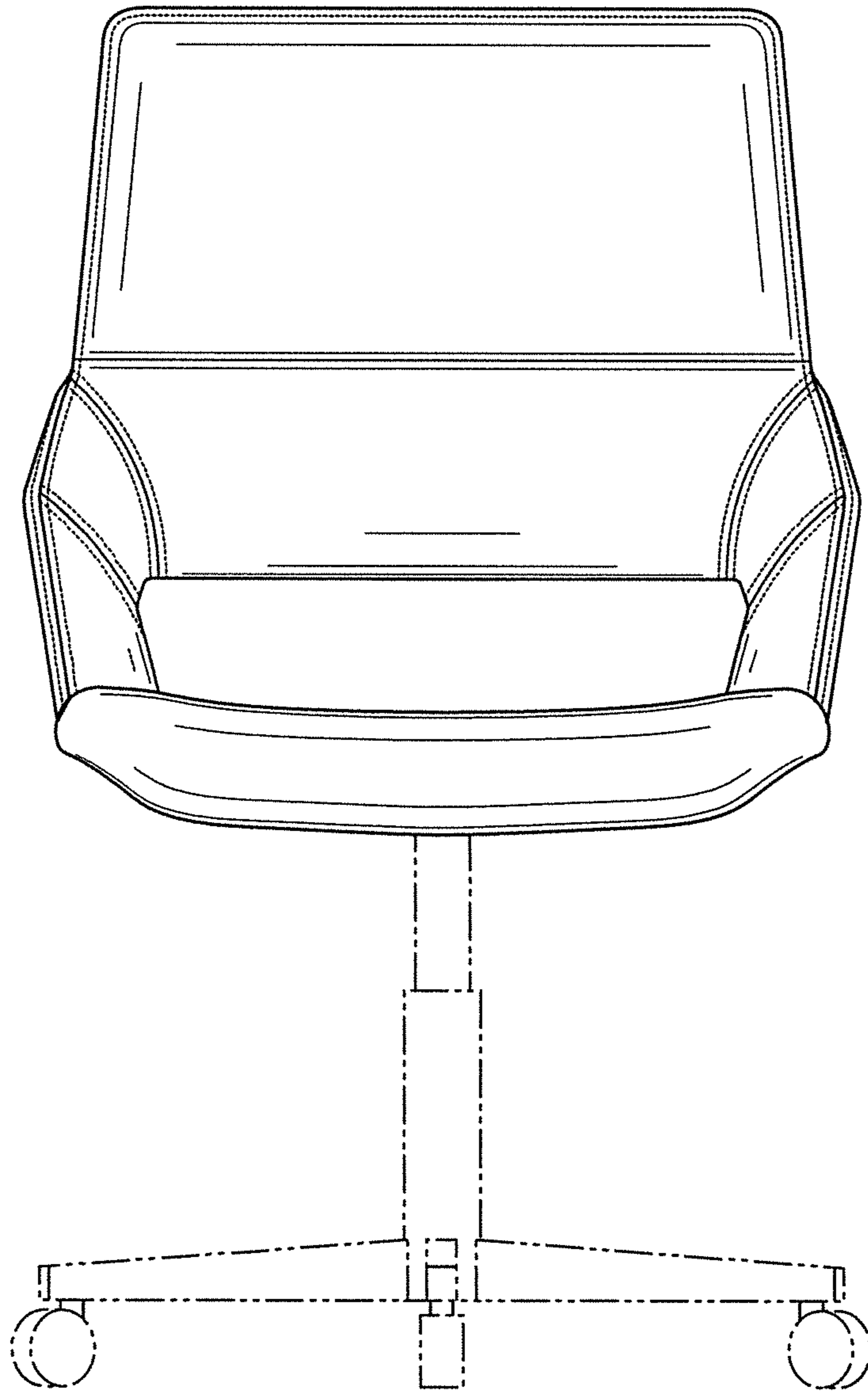
FIG. 1 is a perspective view of a chair in accordance with the present invention;  
FIG. 2 is a front view of the chair of FIG. 1;  
FIG. 3 is a rear view of the chair of FIGS. 1-2;  
FIG. 4 is a side view of the chair of FIGS. 1-3, the opposite side being a mirror image thereof;  
FIG. 5 is a top view of the chair of FIGS. 1-4; and,  
FIG. 6 is a bottom view of the chair of FIGS. 1-5.  
The broken lines shown in the Figures are for environmental purposes only and form no part of the claimed design.  
The dotted lines, shown on the seat, backrest and armrests in the drawing, are understood to represent stitching.

**1 Claim, 6 Drawing Sheets**



**FIG. 1**





**FIG. 2**

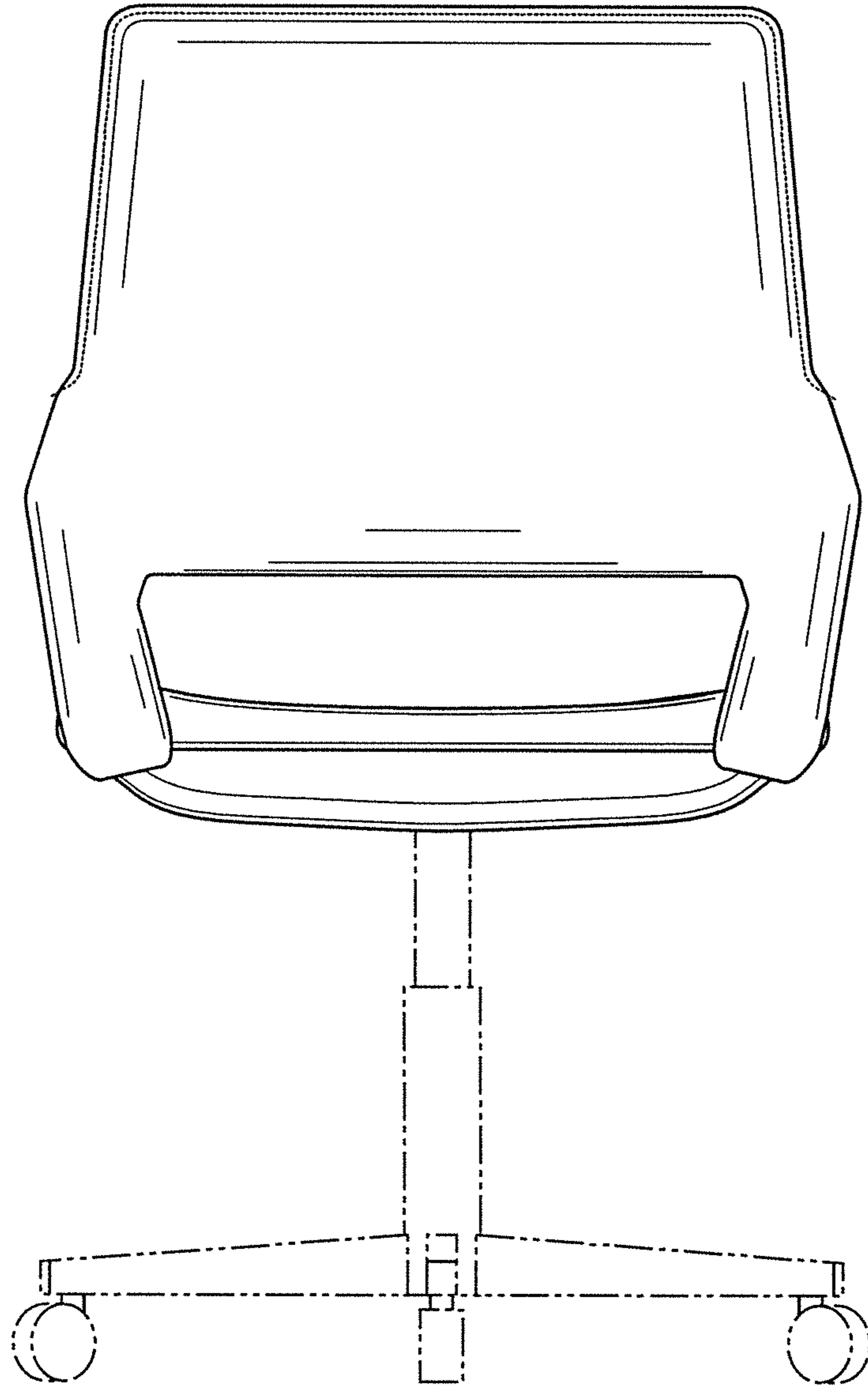
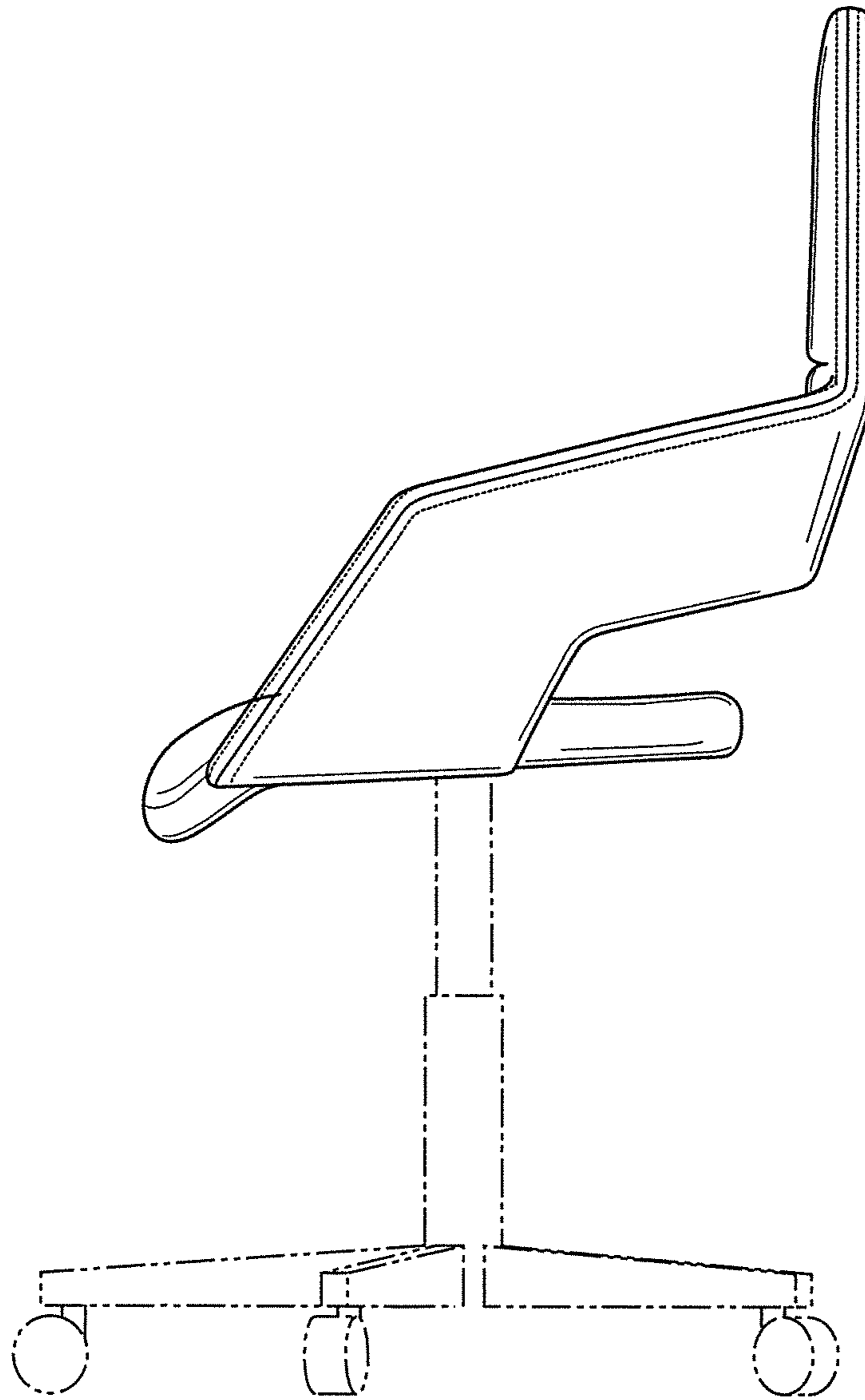
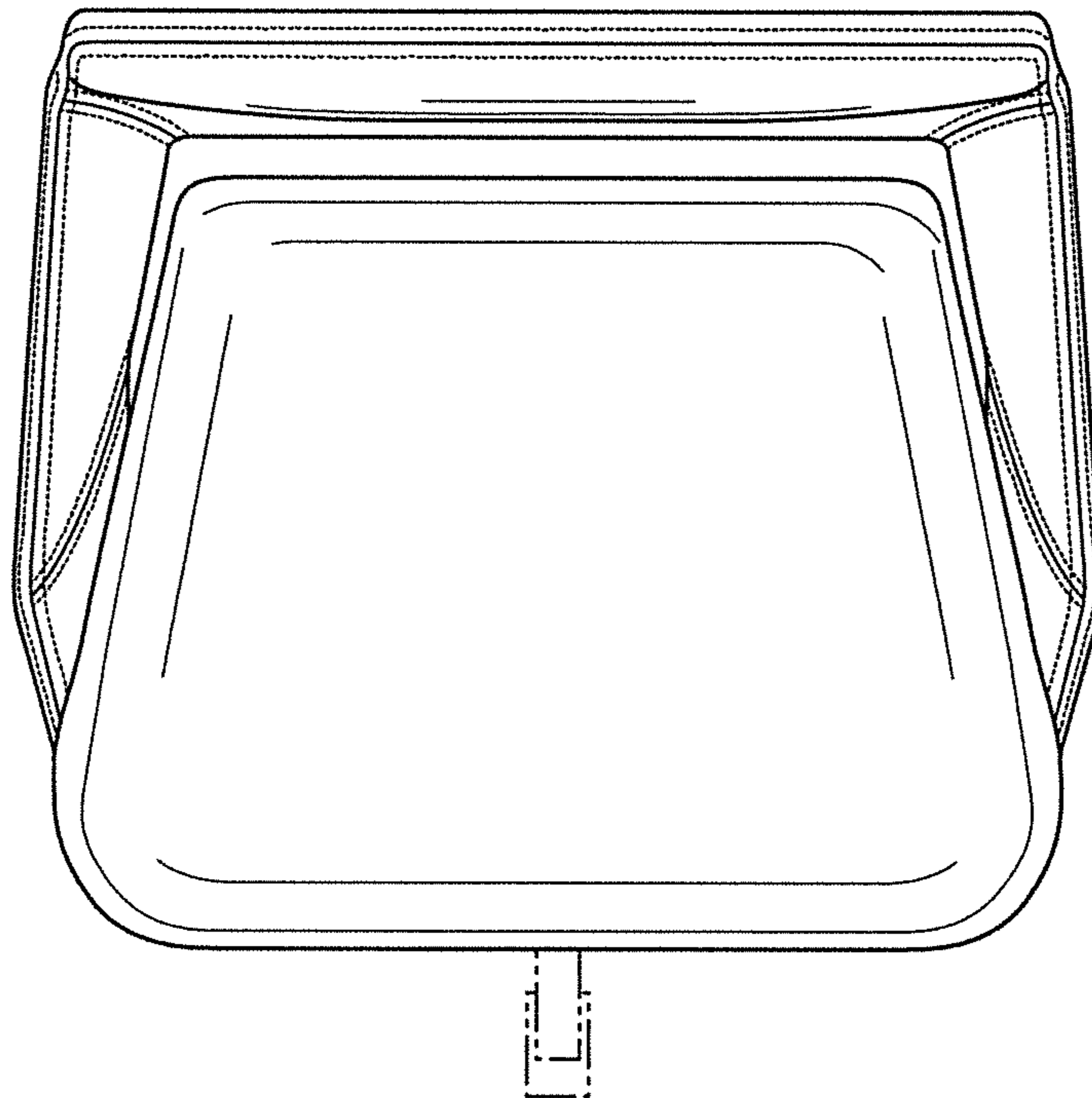


FIG. 3



**FIG. 4**



**FIG. 5**

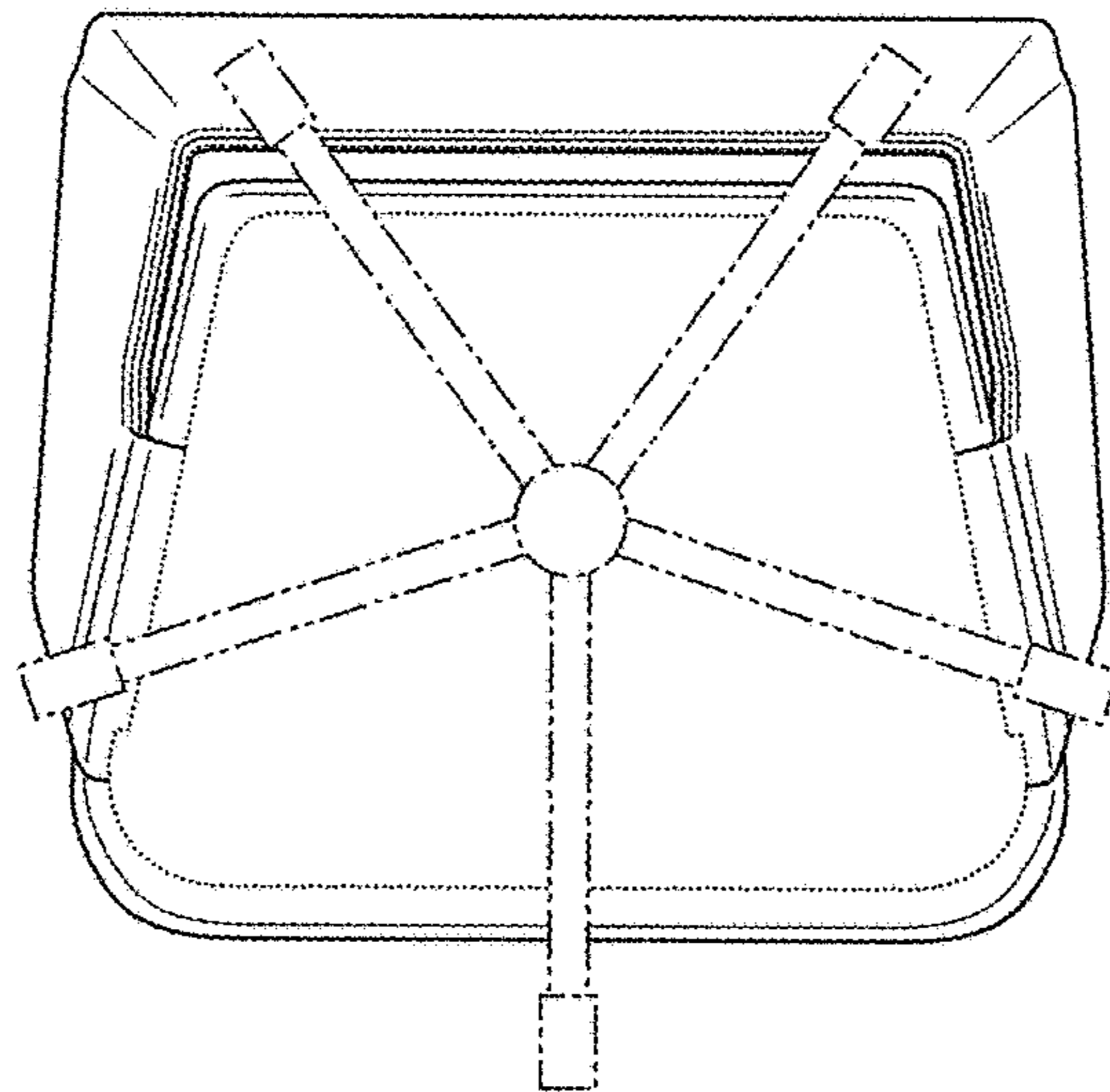


FIG. 6