



US00D794369S

(12) **United States Design Patent** (10) **Patent No.:** **US D794,369 S**
Swy (45) **Date of Patent:** **** Aug. 15, 2017**

(54) **CHAIR**
(71) Applicant: **Michigan Tube Swagers & Fabricators, Inc.**, Temperance, MI (US)
(72) Inventor: **Joshua Paul Swy**, Lambertville, MI (US)
(73) Assignee: **Michigan Tube Swagers & Fabricators, Inc.**, Temperance, MI (US)
(**) Term: **15 Years**
(21) Appl. No.: **29/563,985**
(22) Filed: **May 10, 2016**
(51) **LOC (10) Cl.** **06-01**
(52) **U.S. Cl.**
USPC **D6/716; D6/366**
(58) **Field of Classification Search**
USPC D6/334-336, 364, 365, 366, 371-375, D6/379, 380, 716, 716.1, 716.2, 716.4
CPC A47C 3/12; A47C 4/02; A47C 4/03; A47C 5/12; A47C 7/18; A47C 7/24; A47C 7/54
See application file for complete search history.

D730,098 S * 5/2015 Kubryk D6/716
D730,099 S * 5/2015 Kubryk D6/716
D730,670 S * 6/2015 Kubryk D6/716
D757,475 S * 5/2016 Lievore D6/716
D758,749 S * 6/2016 Lievore D6/366
D762,407 S * 8/2016 Kubryk D6/716
D766,638 S * 9/2016 Kubryk D6/716
D766,640 S * 9/2016 Kubryk D6/716
D767,318 S * 9/2016 Kubryk D6/716
D767,319 S * 9/2016 Kubryk D6/716
D768,421 S * 10/2016 Kubryk D6/716

OTHER PUBLICATIONS

Aston Conference / 4 Ways (2007).
Aston Direction / 4 Ways (2007).
Aston Office / 4 Ways (2006).
The Dunas XL Collection—Sandler Seating (2016).

* cited by examiner

Primary Examiner — Mimoso De
(74) *Attorney, Agent, or Firm* — Dinsmore & Shohl LLP

(57) **CLAIM**

The ornamental design for a chair, as shown and described.

DESCRIPTION

FIG. 1 is a perspective view of a chair in accordance with the present invention;
FIG. 2 is a front view of the chair of FIG. 1;
FIG. 3 is a rear view of the chair of FIGS. 1-2;
FIG. 4 is a side view of the chair of FIGS. 1-3, the opposite side being a mirror image thereof;
FIG. 5 is a top view of the chair of FIGS. 1-4; and,
FIG. 6 is a bottom view of the chair of FIGS. 1-5.
The broken lines shown in the Figures are for environmental purposes only and form no part of the claimed design.
The dotted lines, shown on the seat, backrest, and armrests in the drawing, are understood to represent stitching.

1 Claim, 6 Drawing Sheets

(56) **References Cited**
U.S. PATENT DOCUMENTS
D233,809 S * 12/1974 Platner D6/366
D245,886 S * 9/1977 Wilson D6/366
D281,840 S * 12/1985 Ogg D6/366
D297,986 S * 10/1988 Jenkins D6/366
D408,162 S * 4/1999 Olson D6/366
D609,037 S * 2/2010 Miller D6/366
D648,158 S * 11/2011 Kubryk D6/366
D654,732 S * 2/2012 Kubryk D6/366
D664,381 S * 7/2012 Kubryk D6/366
D729,563 S * 5/2015 Kubryk D6/716
D730,097 S * 5/2015 Kubryk D6/716

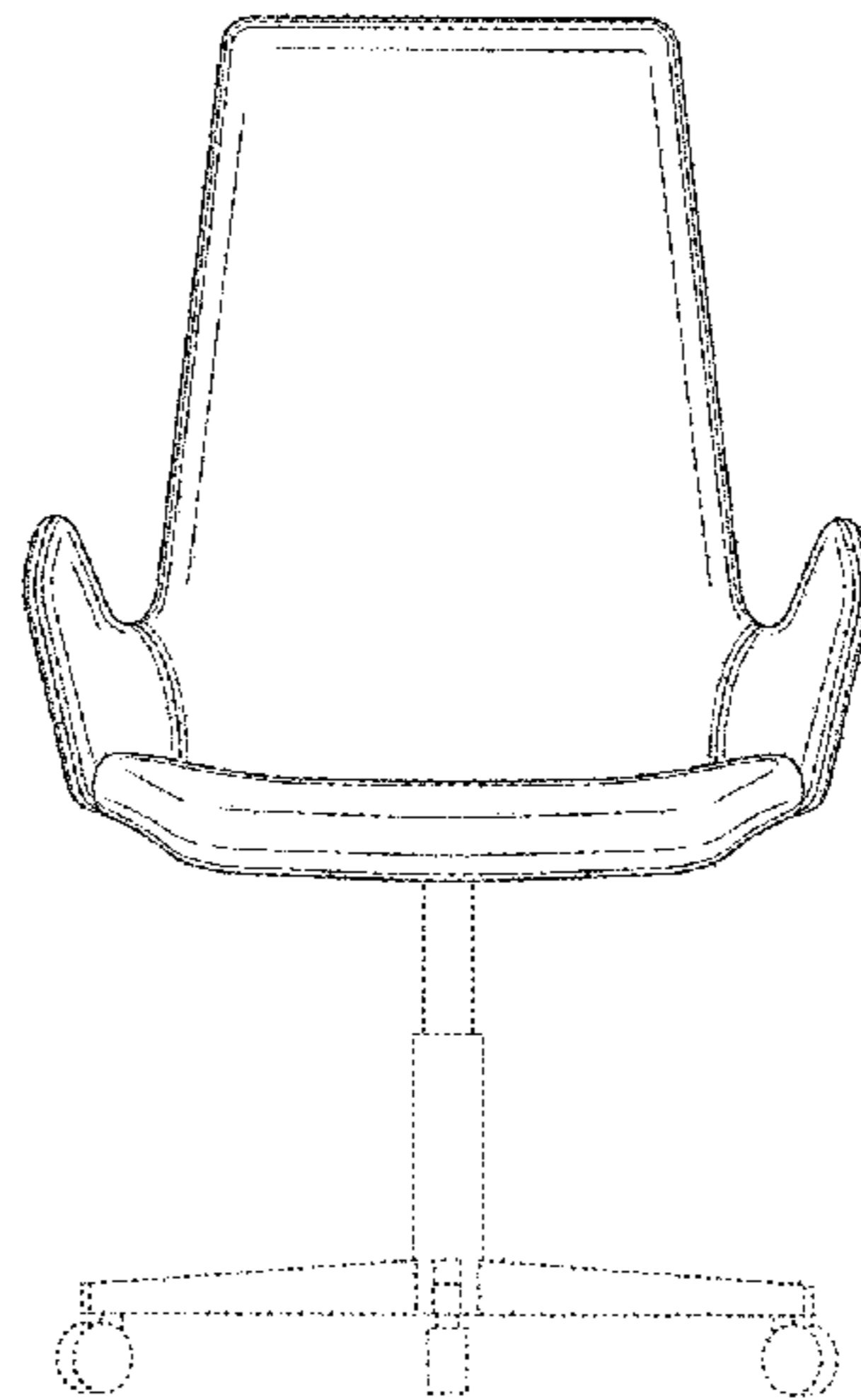
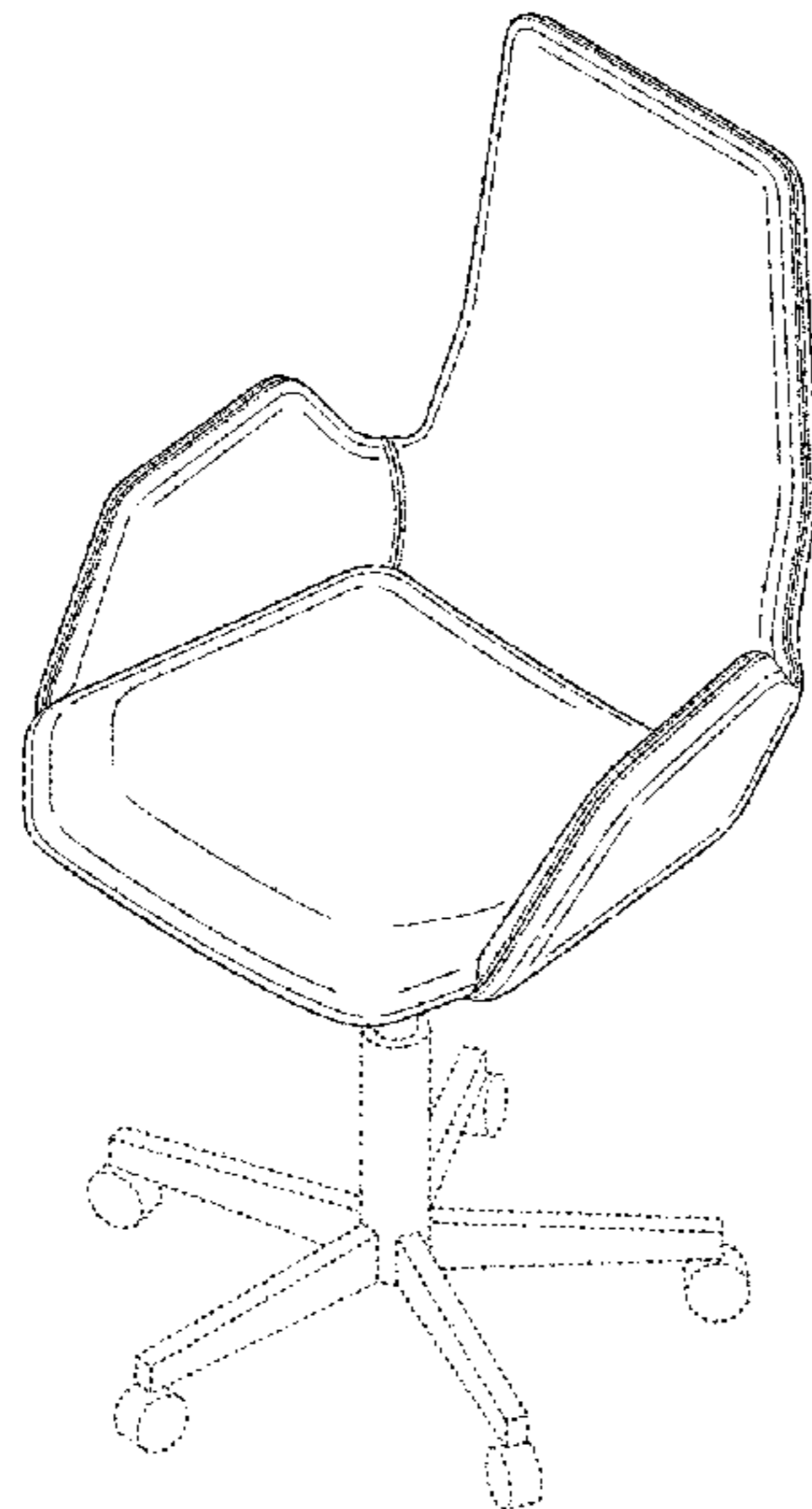
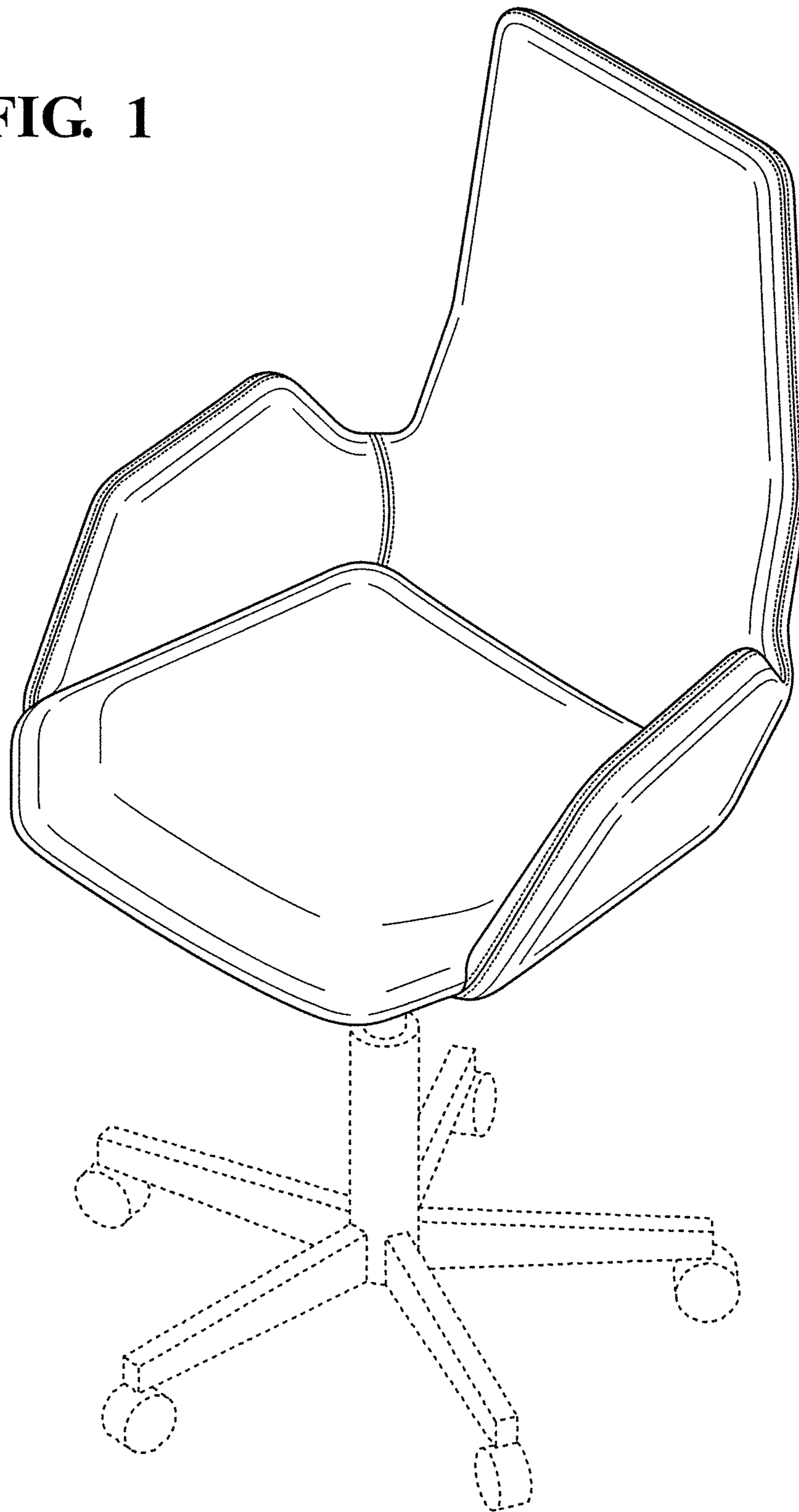


FIG. 1



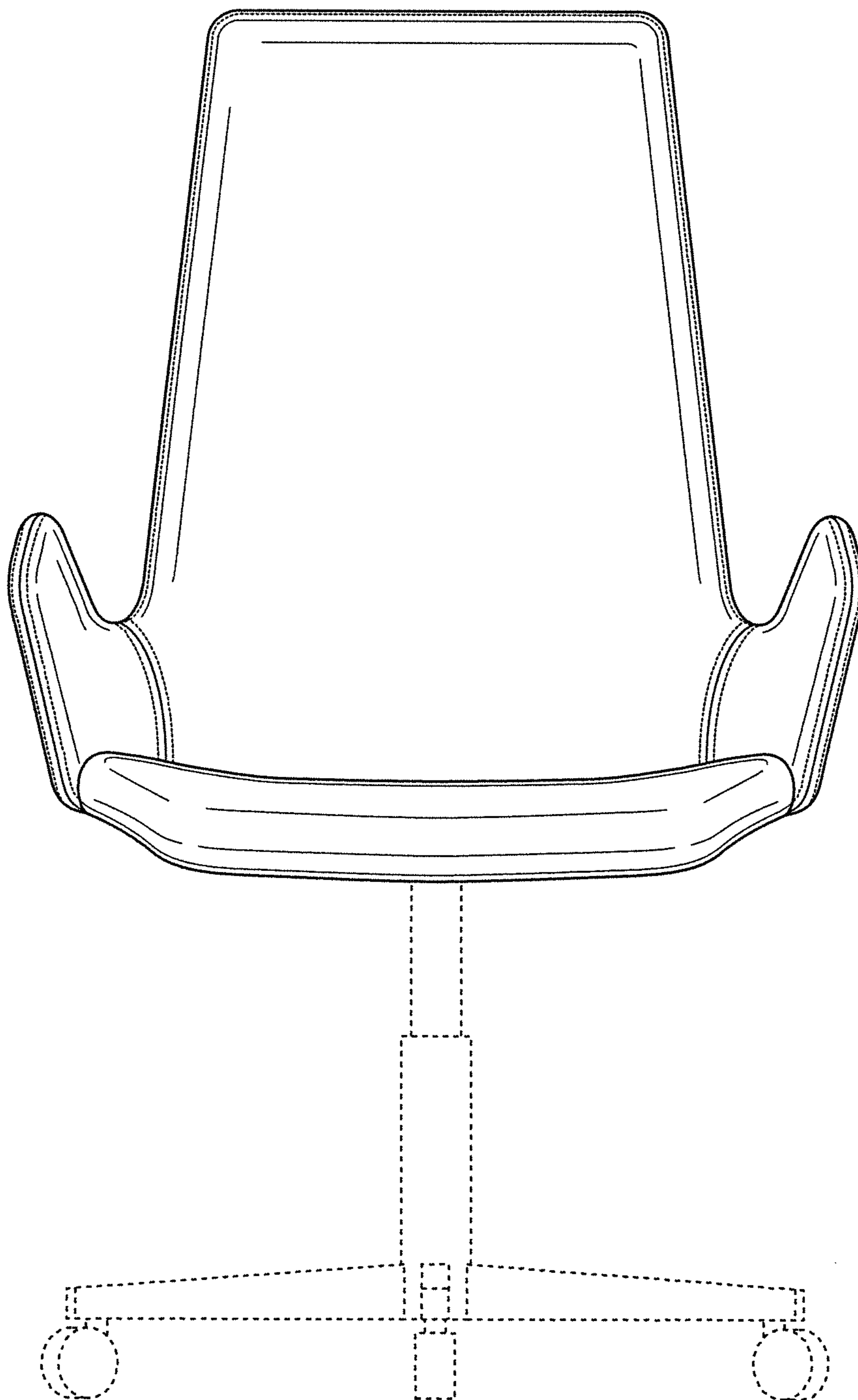


FIG. 2

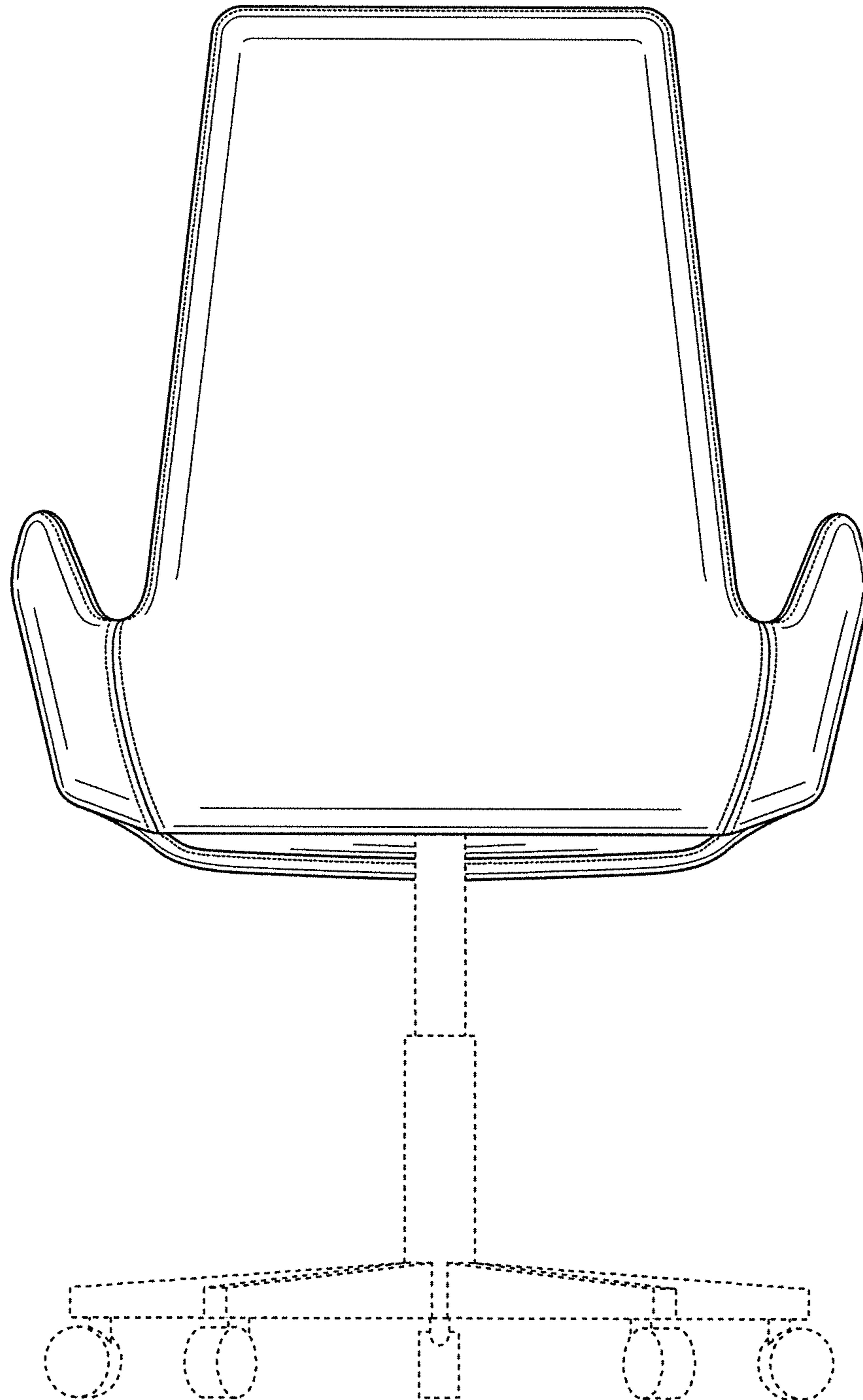


FIG. 3

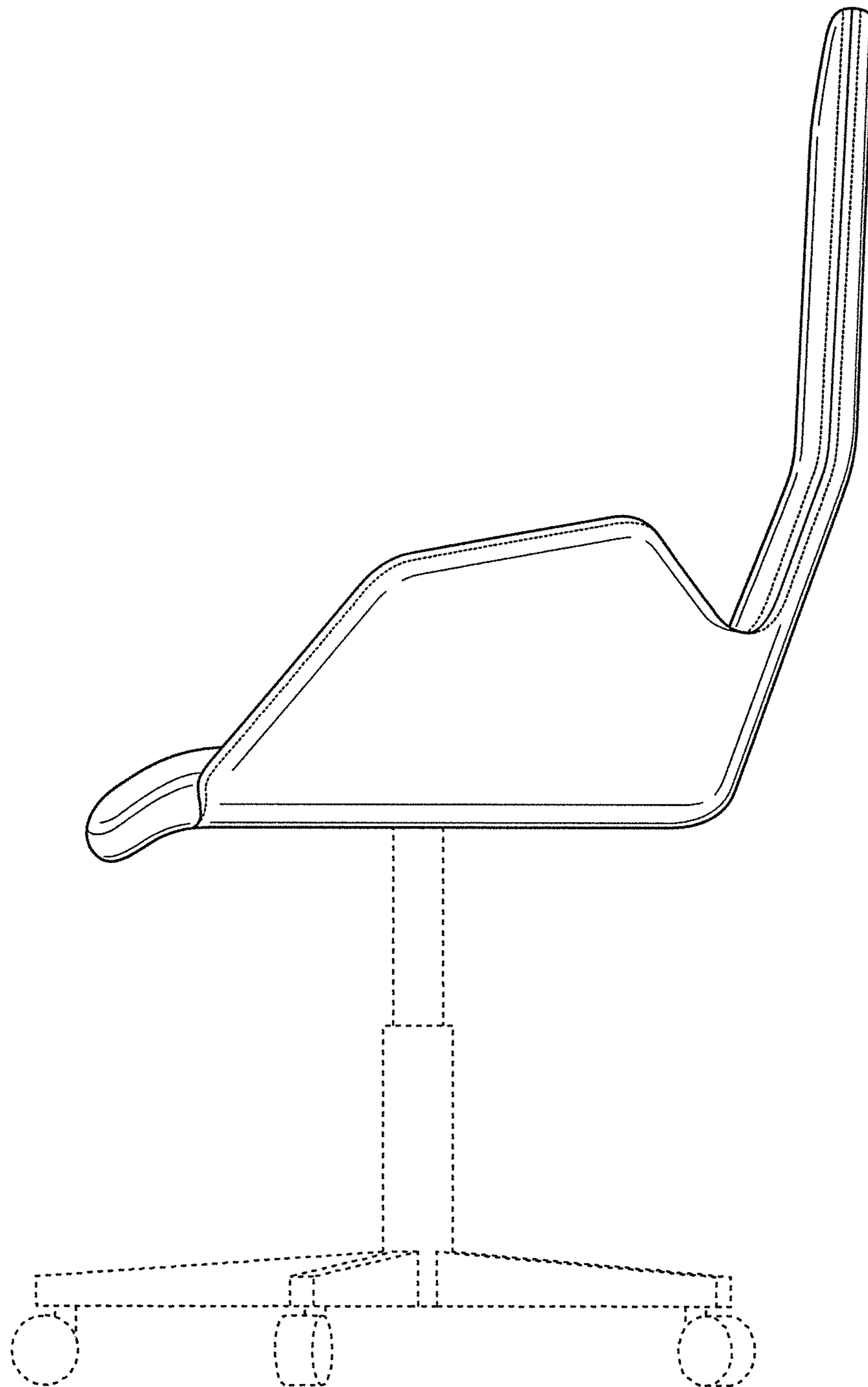


FIG. 4

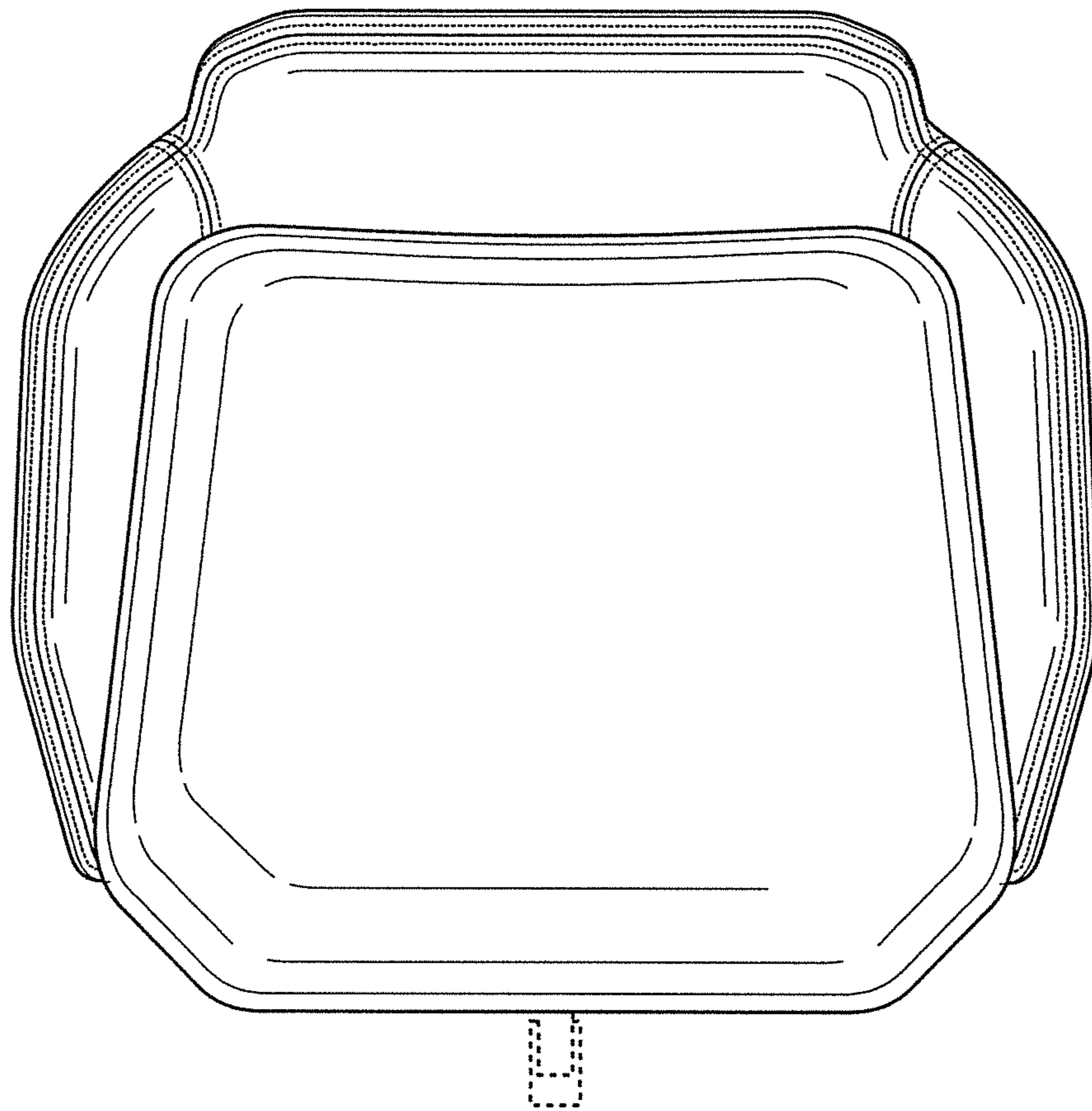


FIG. 5

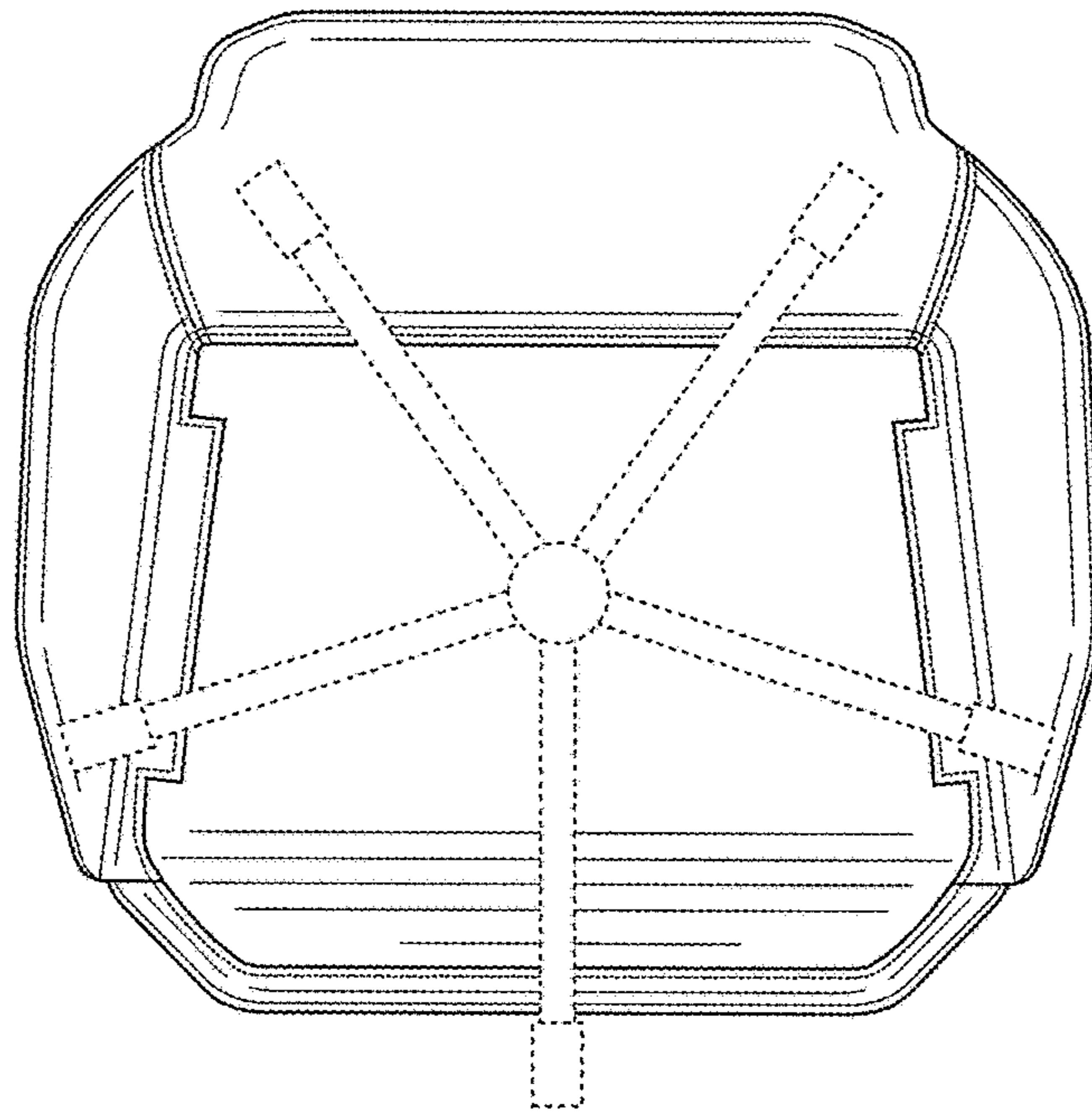


FIG. 6