



US00D794368S

(12) **United States Design Patent**
Swy et al.

(10) **Patent No.:** **US D794,368 S**

(45) **Date of Patent:** **** Aug. 15, 2017**

(54) **CHAIR**

(71) Applicant: **Michigan Tube Swagers & Fabricators, Inc.**, Temperance, MI (US)

(72) Inventors: **Joshua Paul Swy**, Lambertville, MI (US); **Frank Nagle**, Temperance, MI (US)

(73) Assignee: **Michigan Tube Swagers & Fabricators, Inc.**, Temperance, MI (US)

(**) Term: **15 Years**

(21) Appl. No.: **29/563,979**

(22) Filed: **May 10, 2016**

(51) **LOC (10) Cl.** **06-01**

(52) **U.S. Cl.**
USPC **D6/716; D6/366**

(58) **Field of Classification Search**
USPC D6/334-336, 364, 365, 366, 371-375, D6/379, 380, 716, 716.1, 716.2, 716.4
CPC A47C 3/12; A47C 4/02; A47C 4/03; A47C 5/12; A47C 7/18; A47C 7/24; A47C 7/54
See application file for complete search history.

(56) **References Cited**

U.S. PATENT DOCUMENTS

D233,809 S *	12/1974	Platner	D6/375
D245,886 S *	9/1977	Wilson	D6/366
D281,840 S *	12/1985	Ogg	D6/366
D297,986 S *	10/1988	Jenkins	D6/366
D408,162 S *	4/1999	Olson	D6/366
D609,037 S *	2/2010	Miller	D6/366
D648,158 S *	11/2011	Kubryk	D6/716
D654,732 S *	2/2012	Kubryk	D6/366
D664,381 S *	7/2012	Kubryk	D6/366

D729,563 S *	5/2015	Kubryk	D6/716
D730,097 S *	5/2015	Kubryk	D6/716
D730,098 S *	5/2015	Kubryk	D6/716
D730,099 S *	5/2015	Kubryk	D6/716
D730,670 S *	6/2015	Kubryk	D6/716
D757,475 S *	5/2016	Lievore	D6/716
D758,749 S *	6/2016	Lievore	D6/366
D762,407 S *	8/2016	Kubryk	D6/716
D766,638 S *	9/2016	Kubryk	D6/716
D766,640 S *	9/2016	Kubryk	D6/716
D767,318 S *	9/2016	Kubryk	D6/716
D767,319 S *	9/2016	Kubryk	D6/716

(Continued)

OTHER PUBLICATIONS

Aston Conference / 4 Ways (2007).

(Continued)

Primary Examiner — Mimoso De

(74) *Attorney, Agent, or Firm* — Dinsmore & Shohl LLP

(57) **CLAIM**

The ornamental design for a chair, as shown and described.

DESCRIPTION

FIG. 1 is a perspective view of a chair in accordance with the present invention;

FIG. 2 is a front view of the chair of FIG. 1;

FIG. 3 is a rear view of the chair of FIGS. 1-2;

FIG. 4 is a side view of the chair of FIGS. 1-3, the opposite side being a mirror image thereof;

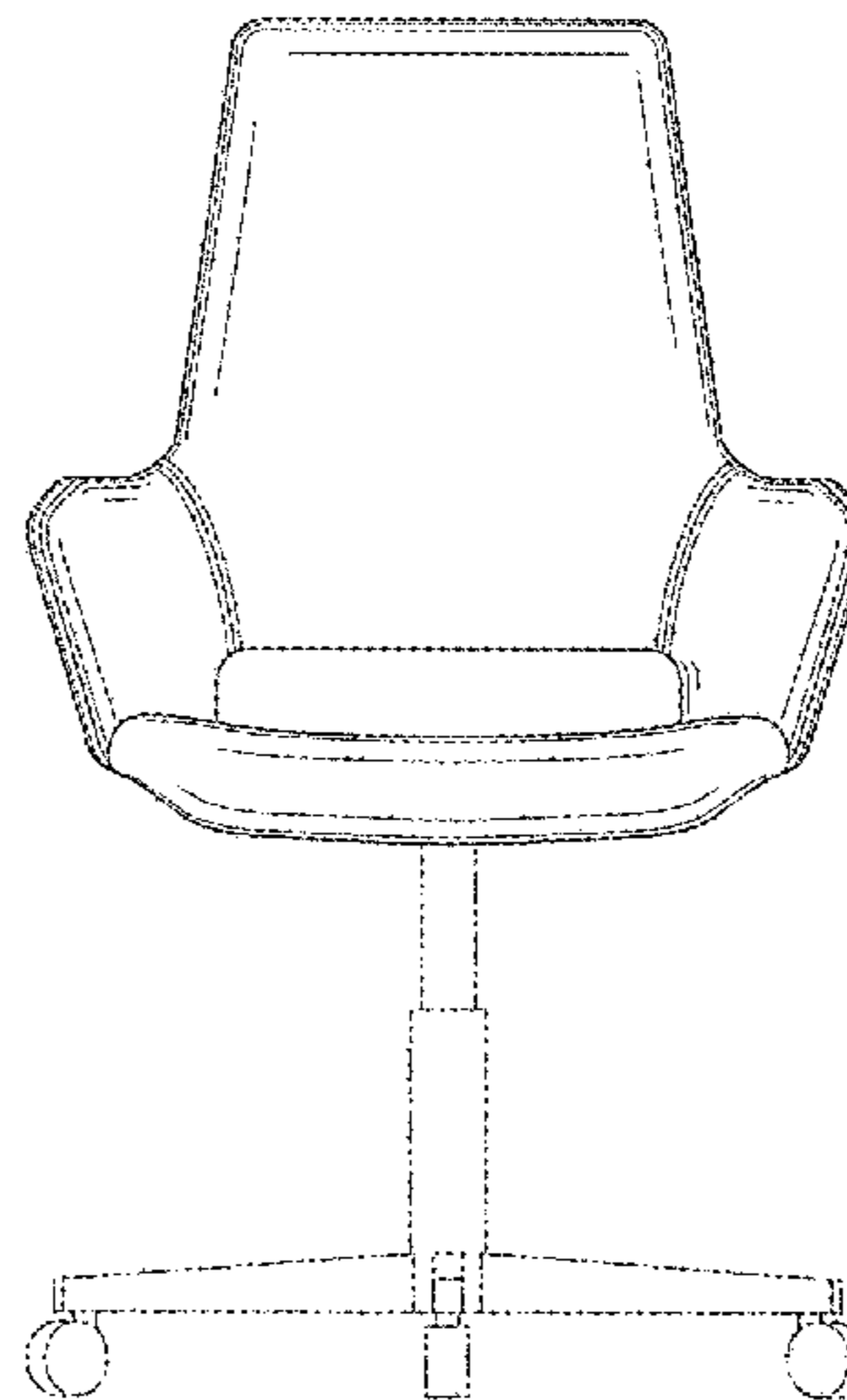
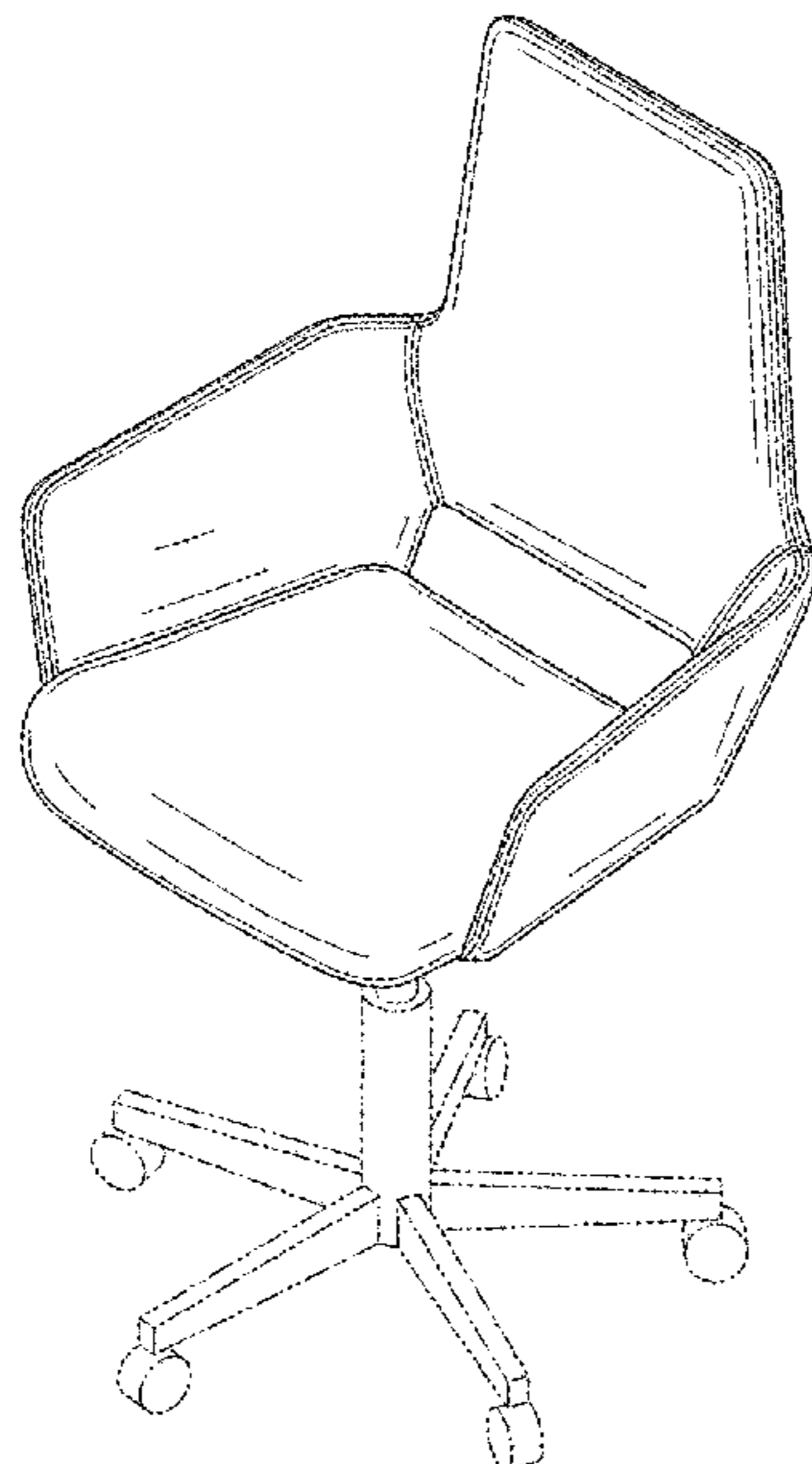
FIG. 5 is a top view of the chair of FIGS. 1-4; and,

FIG. 6 is a bottom view of the chair of FIGS. 1-5.

The broken lines shown in the Figures are for environmental purposes only and form no part of the claimed design.

The dotted lines, shown on the seat, backrest, and armrests in the drawing, are understood to represent stitching.

1 Claim, 6 Drawing Sheets



(56)

References Cited

U.S. PATENT DOCUMENTS

D768,421 S * 10/2016 Kubryk D6/716

OTHER PUBLICATIONS

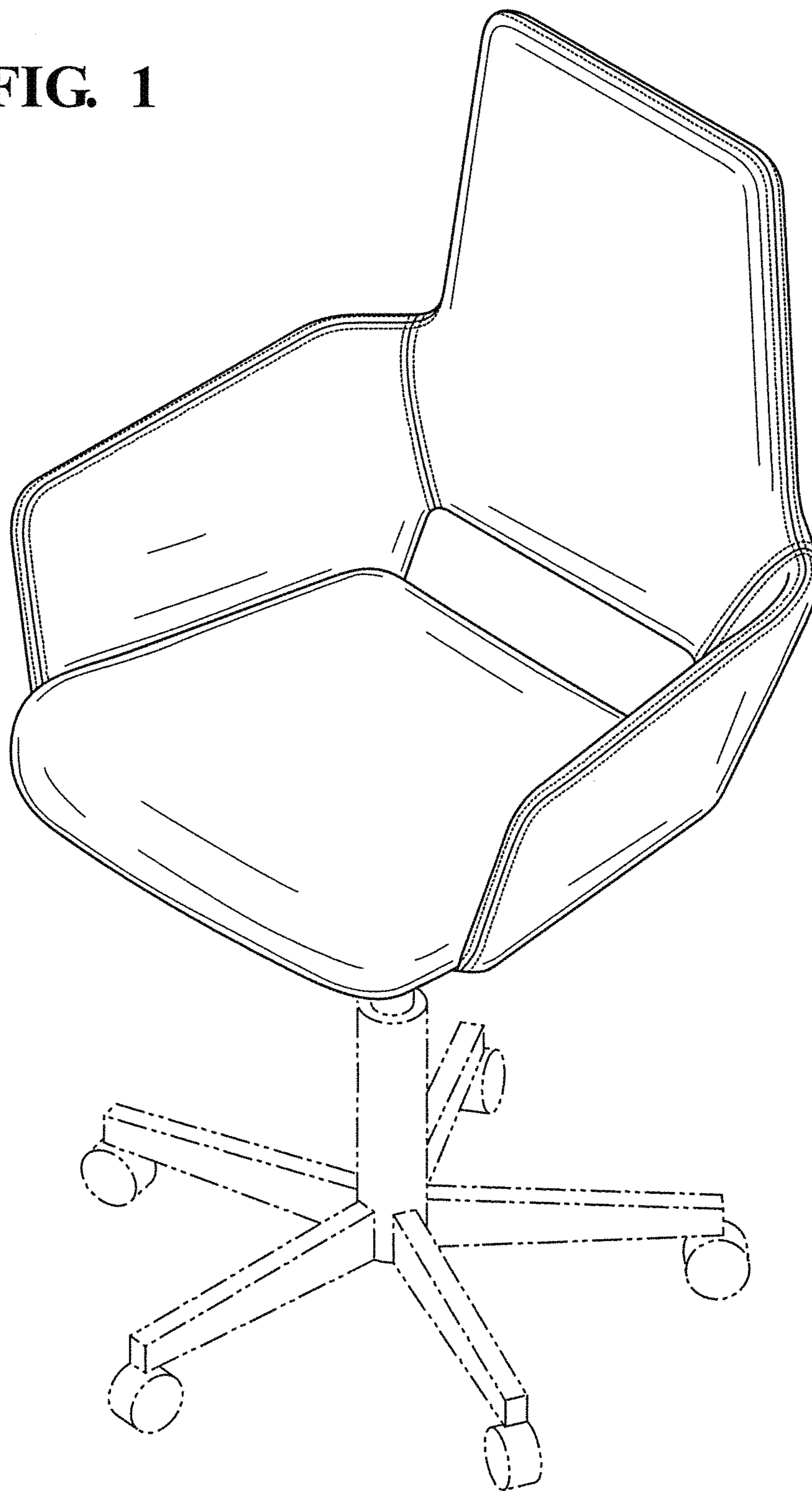
Aston Direction / 4 Ways (2007).

Aston Office / 4 Ways (2006).

The Dunas XL Collection—Sandler Seating (2016).

* cited by examiner

FIG. 1



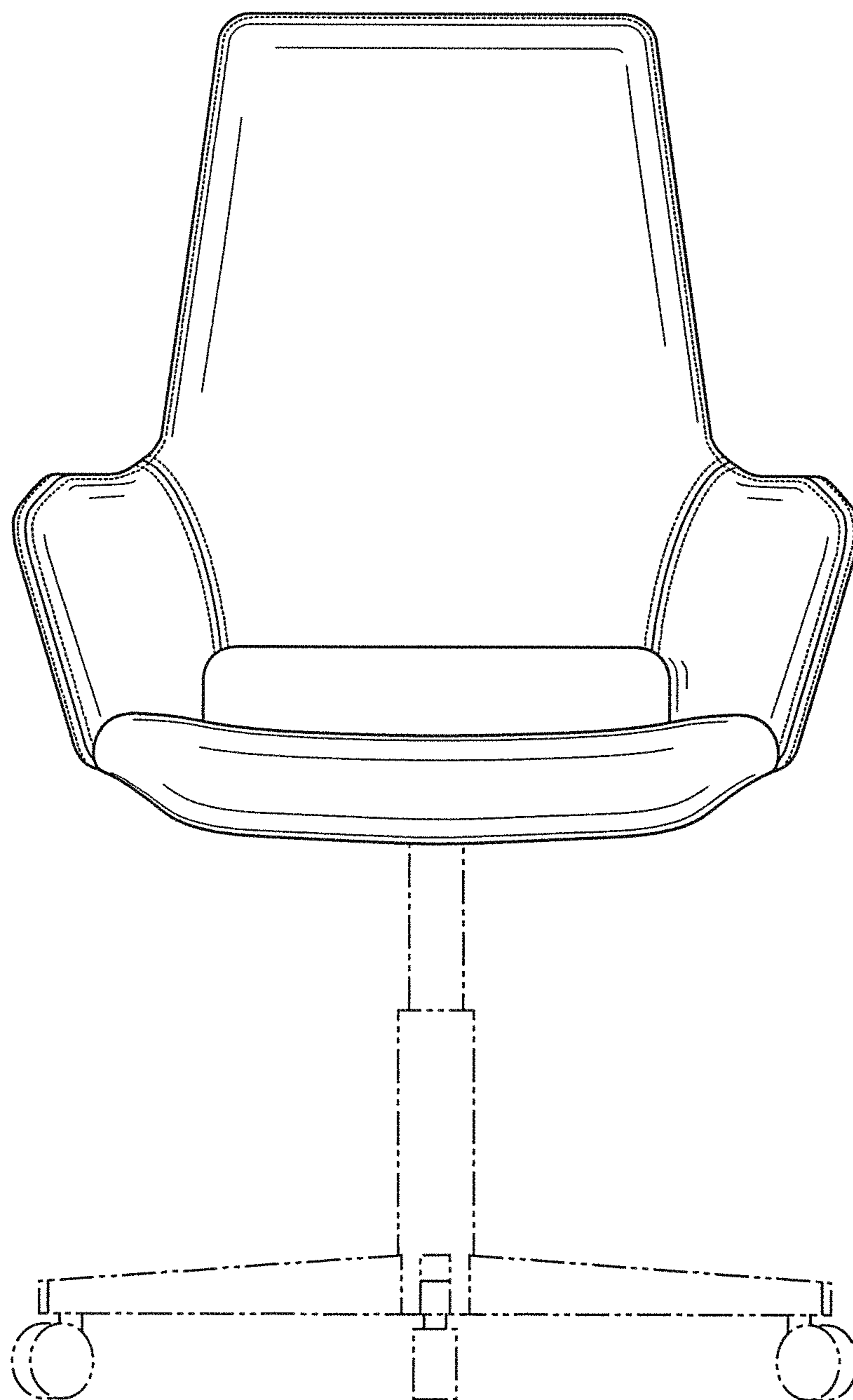


FIG. 2

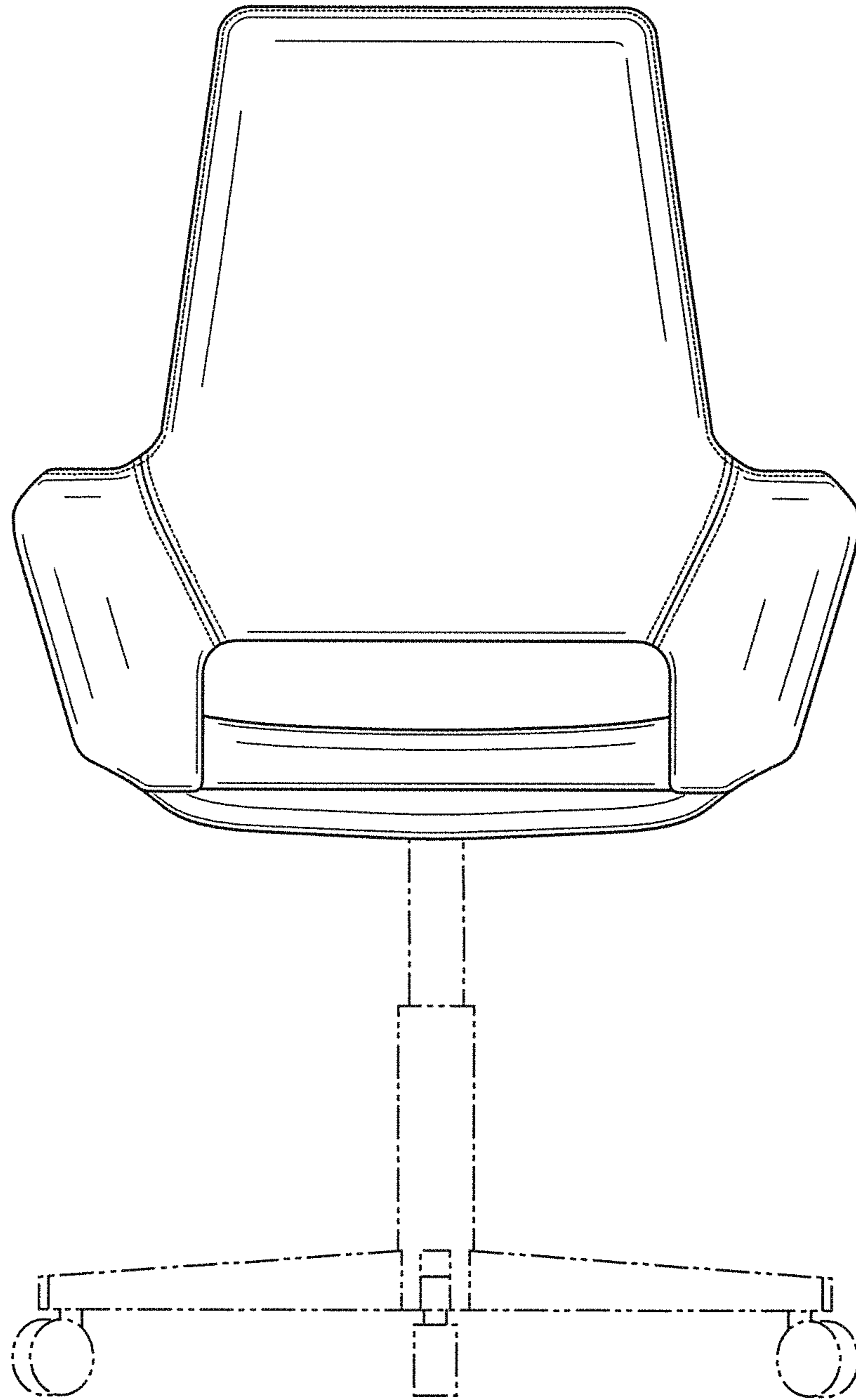


FIG. 3

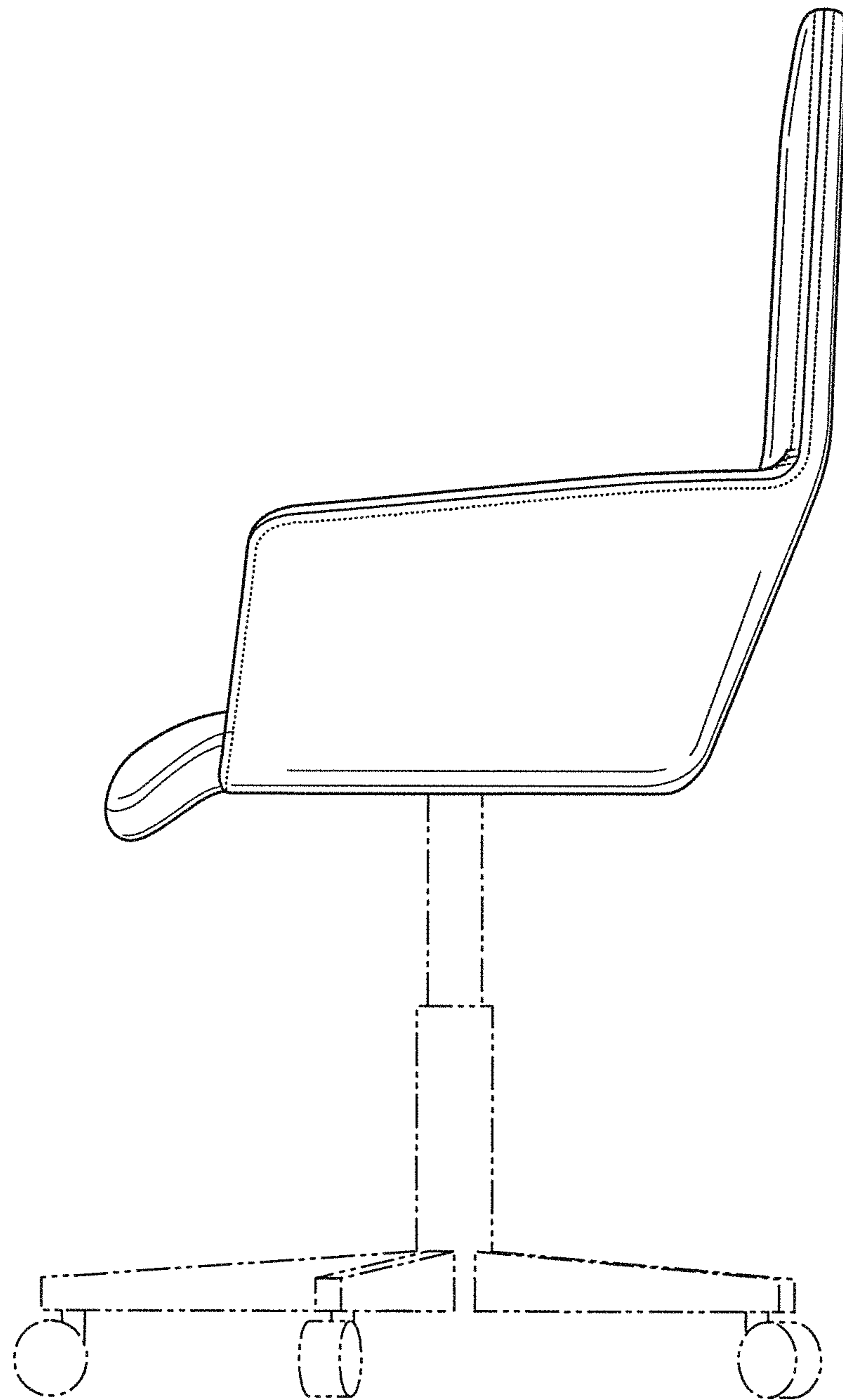


FIG. 4

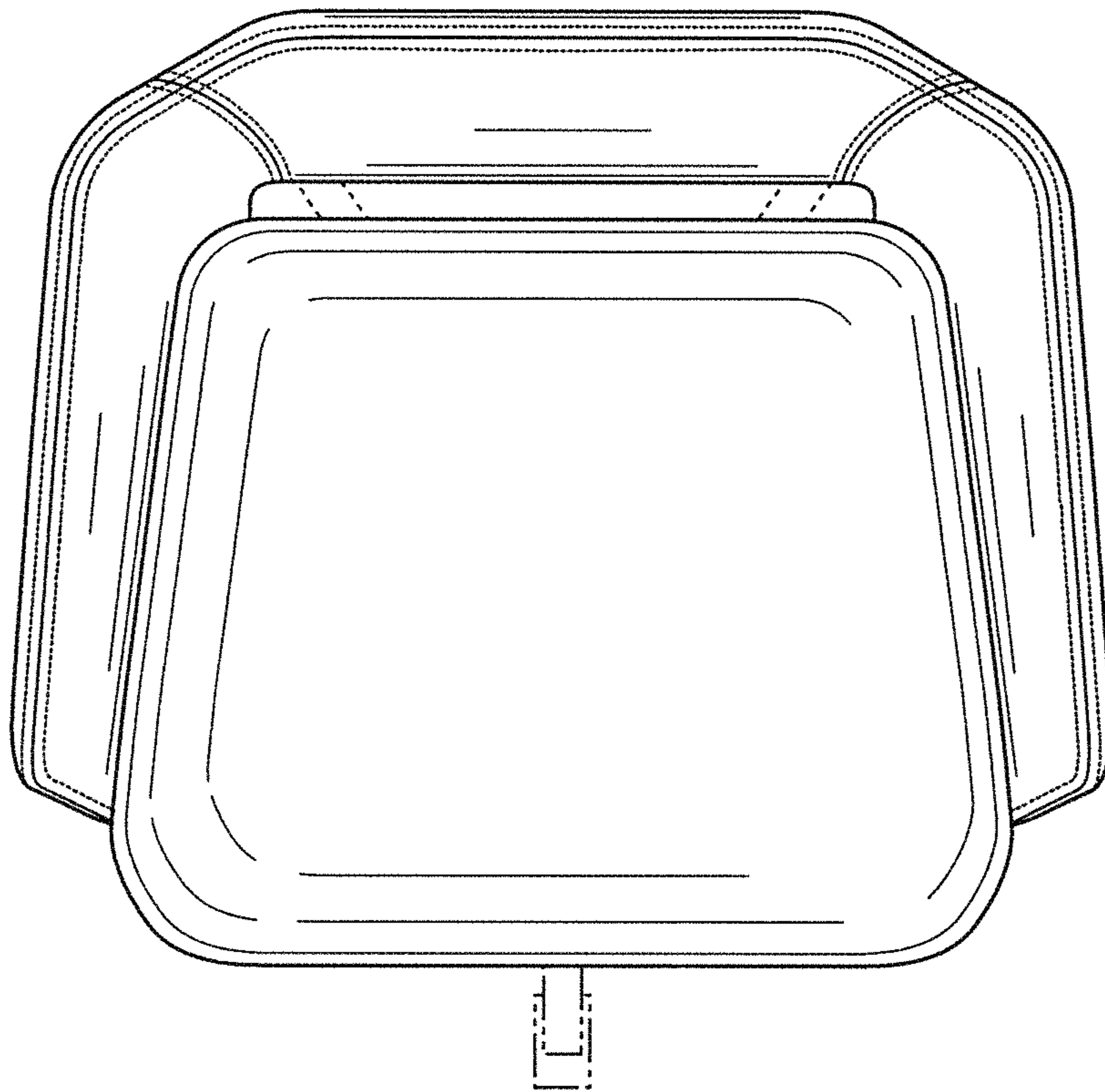


FIG. 5

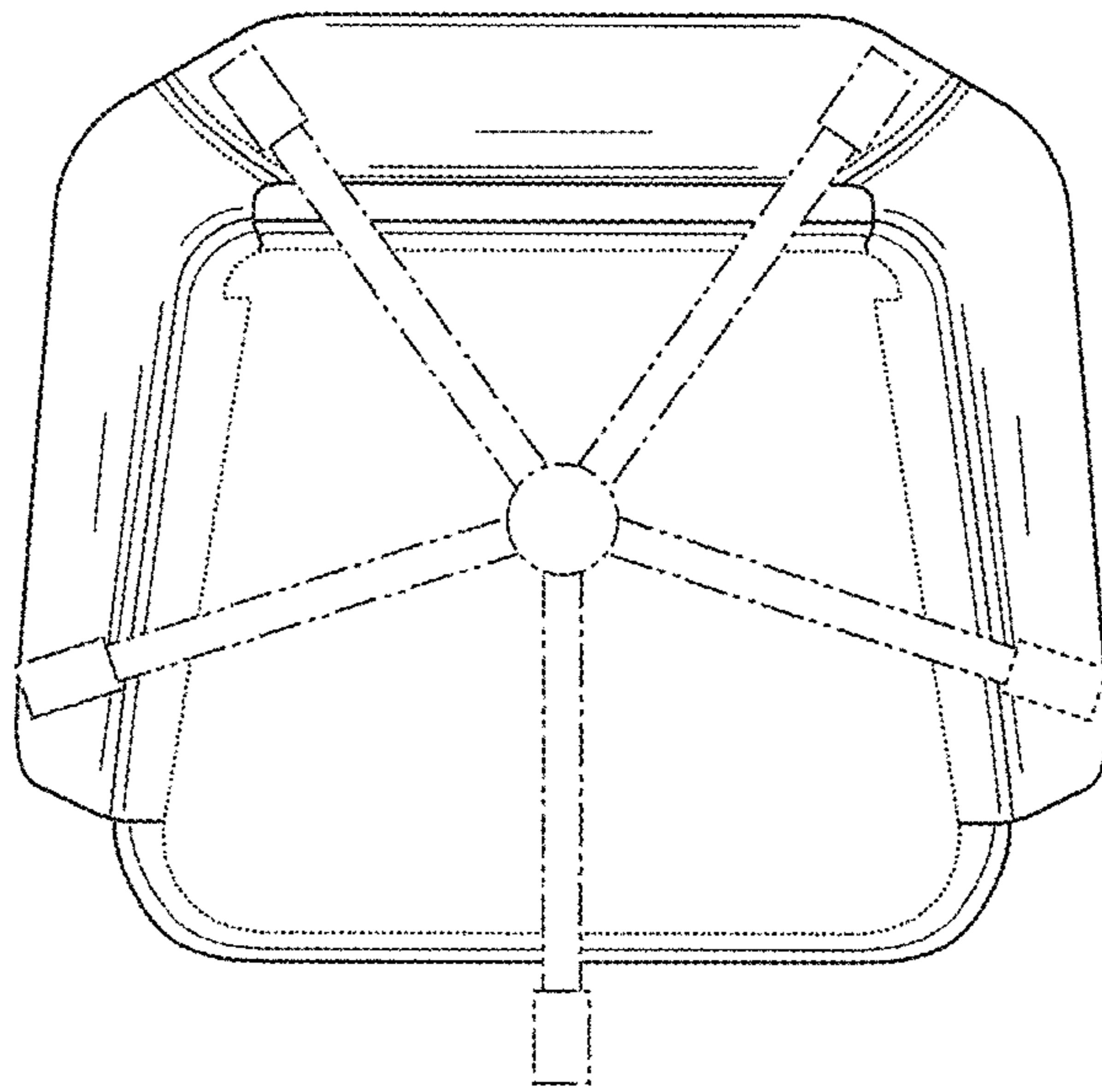


FIG. 6