



US00D794367S

(12) **United States Design Patent** (10) **Patent No.:** **US D794,367 S**
Cheng (45) **Date of Patent:** **** Aug. 15, 2017**

(54) **TELESCOPING ADJUSTABLE LEG**
(71) Applicant: **Jenny Cheng**, South Planfield, NJ (US)
(72) Inventor: **Jenny Cheng**, South Planfield, NJ (US)
(73) Assignee: **Component Hardware Group, Inc.**, Lakewood, NJ (US)
(**) Term: **15 Years**

(21) Appl. No.: **29/554,187**
(22) Filed: **Feb. 9, 2016**
(51) **LOC (10) Cl.** **06-06**
(52) **U.S. Cl.**
USPC **D6/709.21**
(58) **Field of Classification Search**
USPC D6/641, 671, 675, 677, 685, 687, 690,
D6/691, 691.1, 691.2, 691.3, 691.4,
D6/691.5, 691.9, 693, 695, 695.2, 696,
D6/696.1, 697, 698, 699, 699.2, 703, 707,
D6/708, 709, 709.2, 709.21
CPC A47B 7/00; A47B 13/08; A47B 13/10;
A47B 21/00; A47B 2009/006; A47B
11/00; A47B 91/022; A47B 91/024
See application file for complete search history.

(56) **References Cited**
U.S. PATENT DOCUMENTS
D171,693 S * 3/1954 Fisher D6/709
2,852,883 A * 9/1958 Walsh A47B 91/04
126/304 R
3,080,601 A * 3/1963 Kramcsak, Jr. A47B 91/06
16/42 R
3,150,853 A * 9/1964 Lisbin A47B 91/024
248/188.4
D206,905 S * 2/1967 Noyes D6/677
4,313,586 A * 2/1982 Grzesnikowski A47B 91/024
248/188.4
4,470,527 A * 9/1984 Middleton F16B 7/10
223/66

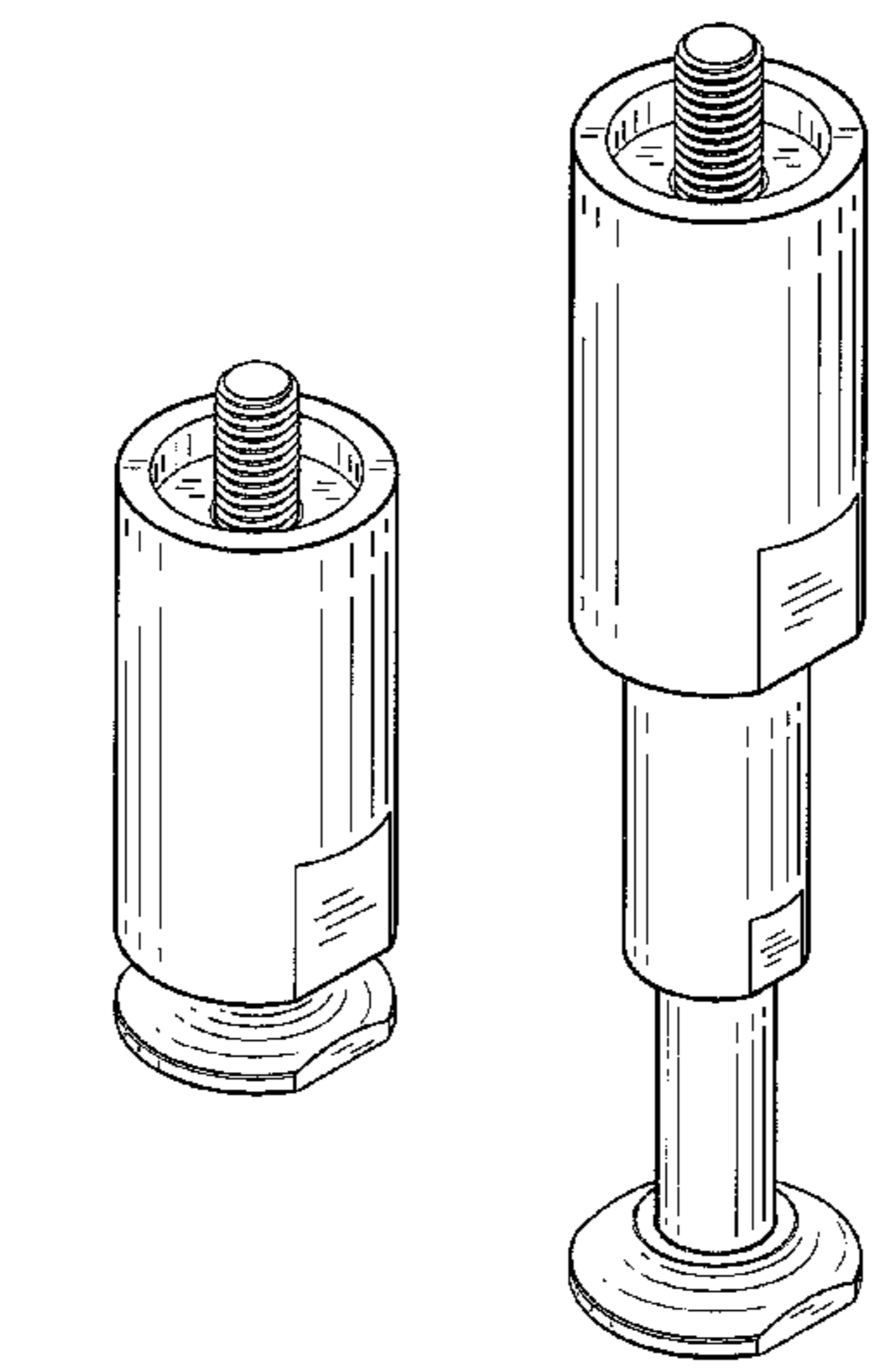
D278,775 S * 5/1985 Walpin D6/709
D418,699 S * 1/2000 Burns D6/709.21
D450,951 S * 11/2001 Sikora D6/710
D572,507 S * 7/2008 Eul D6/709
(Continued)

Primary Examiner — Mary Ann Calabrese
Assistant Examiner — Sloan Rozin
(74) *Attorney, Agent, or Firm* — Francis C. Hand;
Carella, Byrne et al.

(57) **CLAIM**
The ornamental design of a telescoping adjustable leg, as shown and described.

DESCRIPTION
FIG. 1 illustrates a perspective view of a telescoping adjustable leg in a collapsed condition in accordance with the invention;
FIG. 2 illustrates a left hand side view of the telescoping adjustable leg of FIG. 1, the right hand side view is identical;
FIG. 3 illustrates a front view of the telescoping adjustable leg of FIG. 1, the back view is identical;
FIG. 4 illustrates a top view of the telescoping adjustable leg of FIG. 1;
FIG. 5 illustrates a bottom view of the telescoping adjustable leg of FIG. 1;
FIG. 6 illustrates a perspective view of a telescoping adjustable leg in a fully extended position in accordance with the invention;
FIG. 7 illustrates a left hand side view of the telescoping adjustable leg of FIG. 6, the right hand side view is identical;
FIG. 8 illustrates a front view of the telescoping adjustable leg of FIG. 6, the back view is identical;
FIG. 9 illustrates a top view of the telescoping adjustable leg of FIG. 6; and,
FIG. 10 illustrates a bottom view of the telescoping adjustable leg of FIG. 6.

1 Claim, 5 Drawing Sheets



(56)

References Cited

U.S. PATENT DOCUMENTS

D653,532 S * 2/2012 Vu D6/709
D665,248 S * 8/2012 Vu D6/709

* cited by examiner

FIG. 1

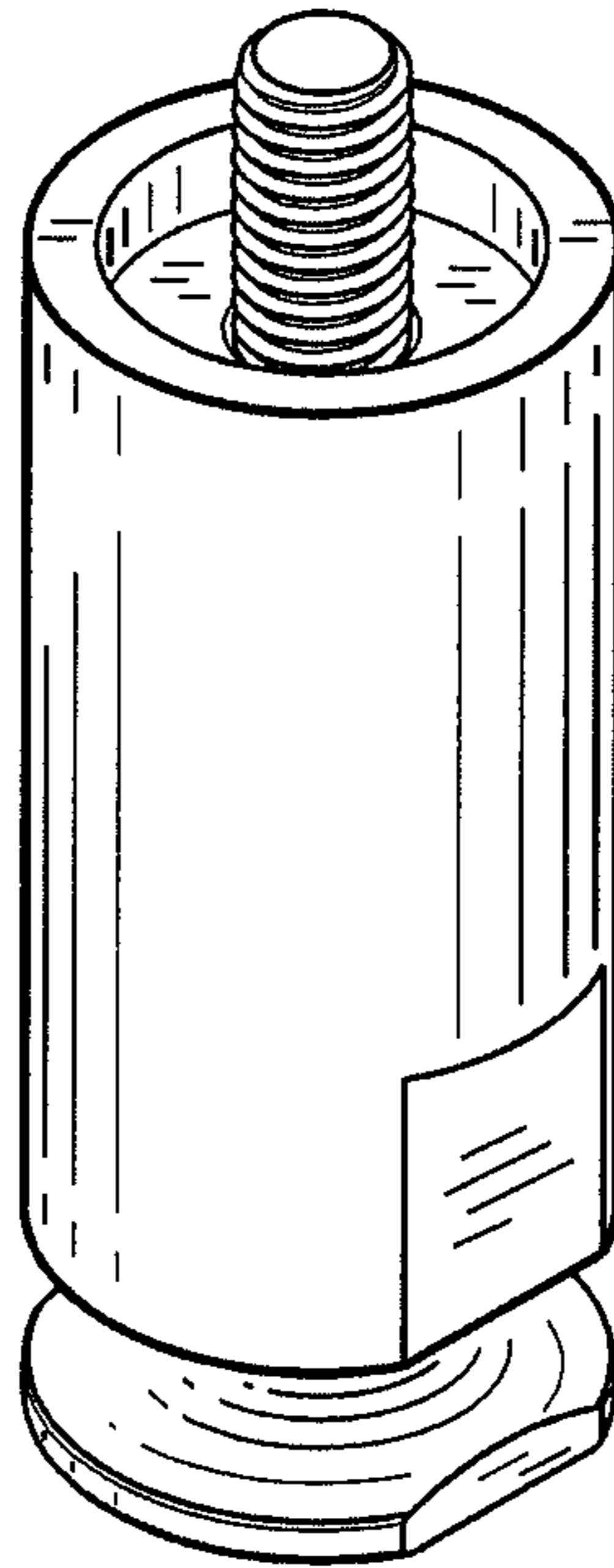


FIG. 2

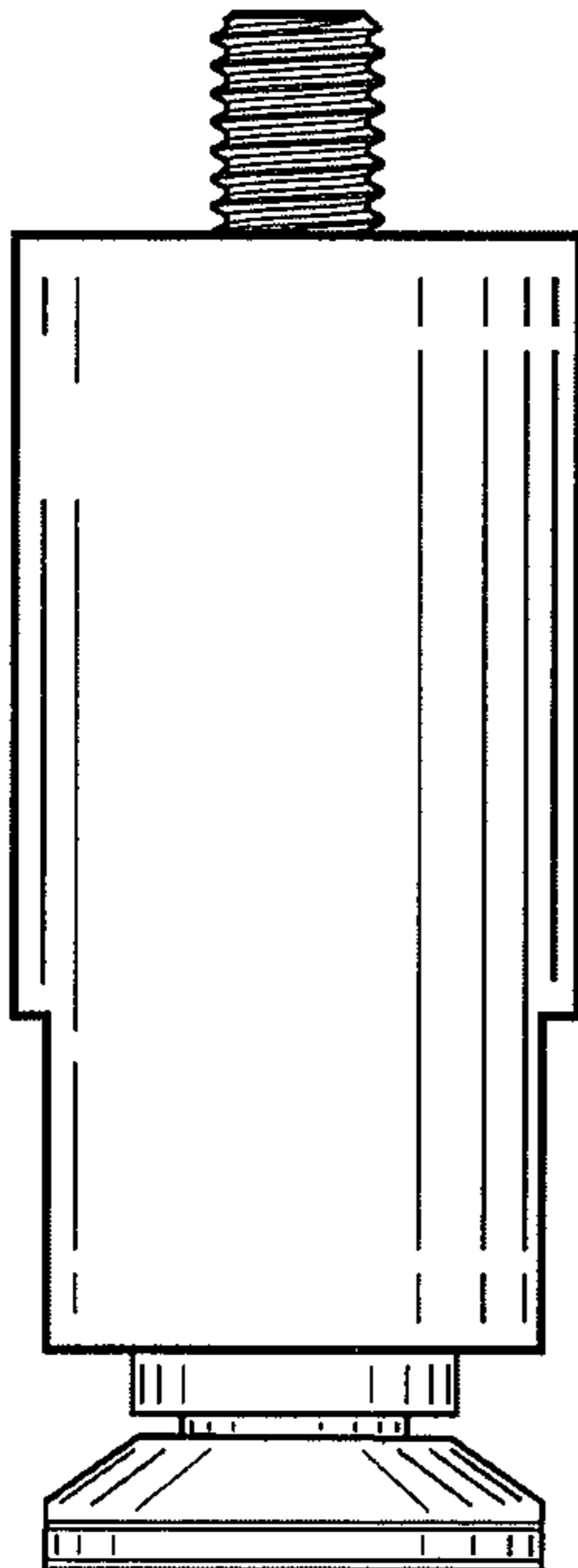


FIG. 3

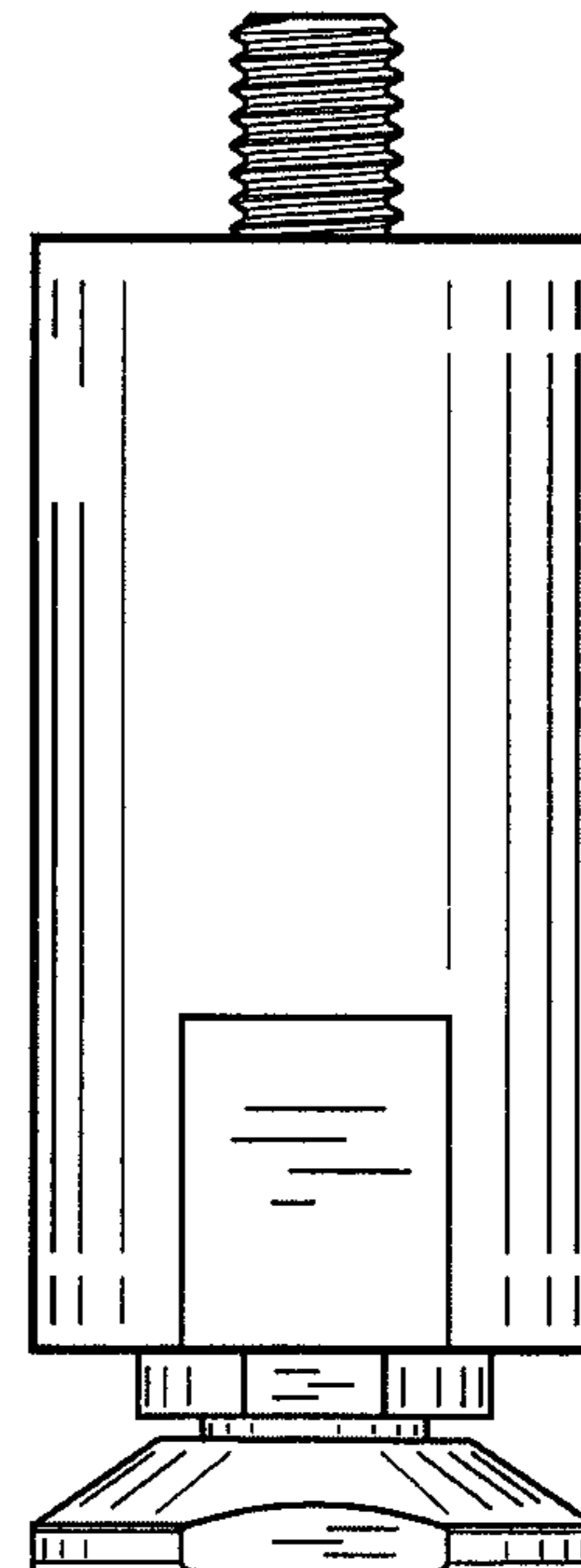


FIG. 4

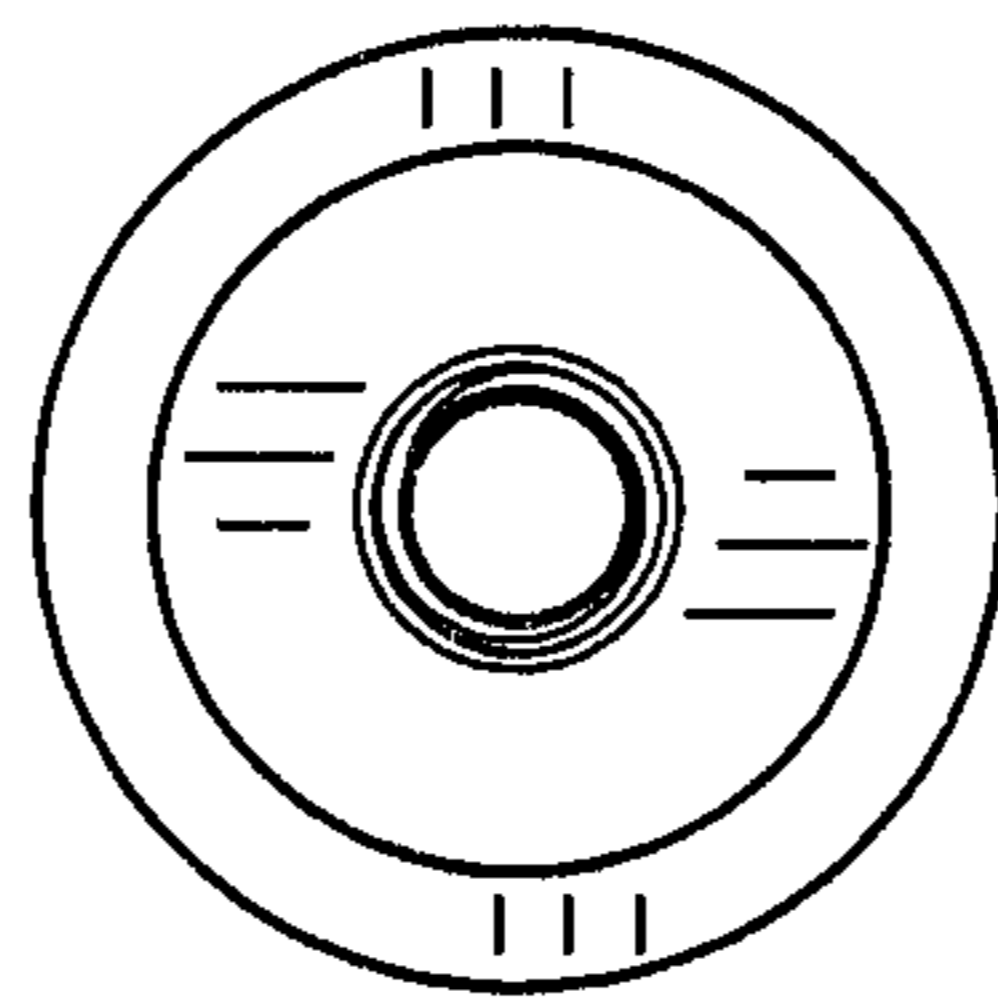


FIG. 5

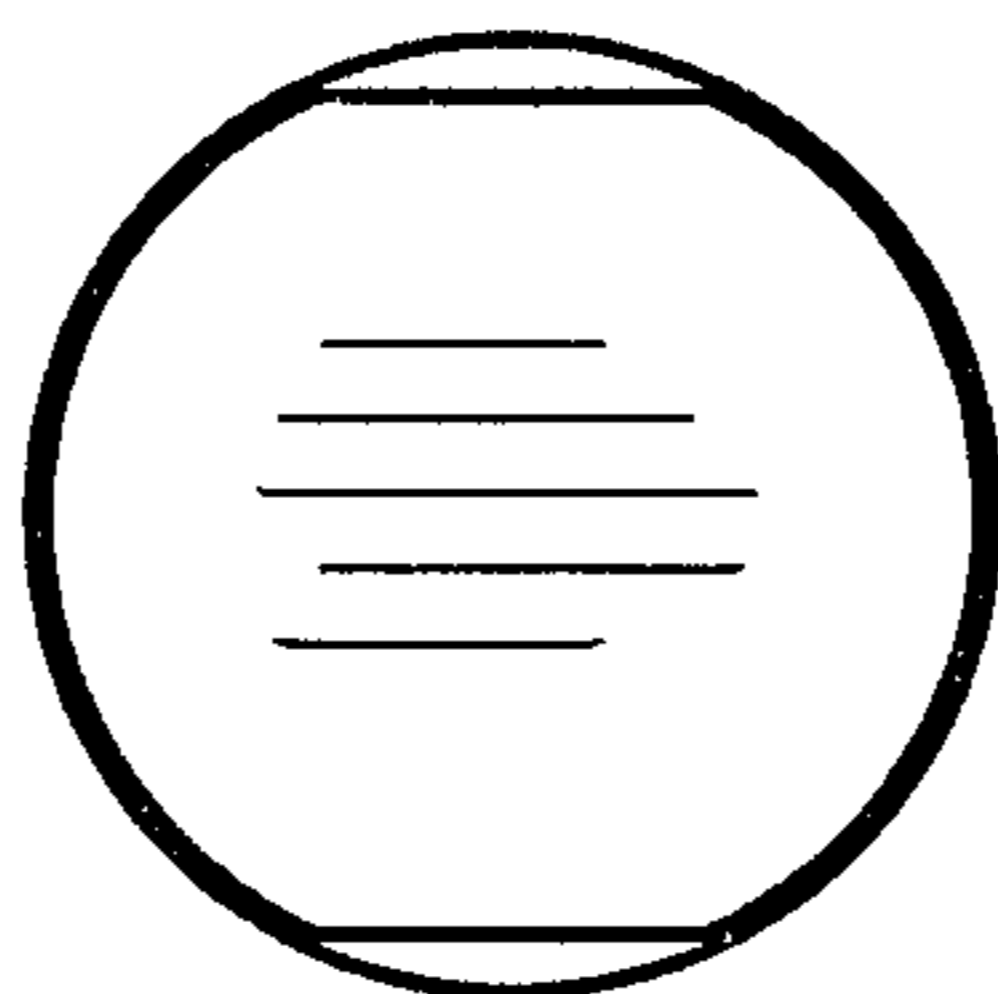


FIG. 6

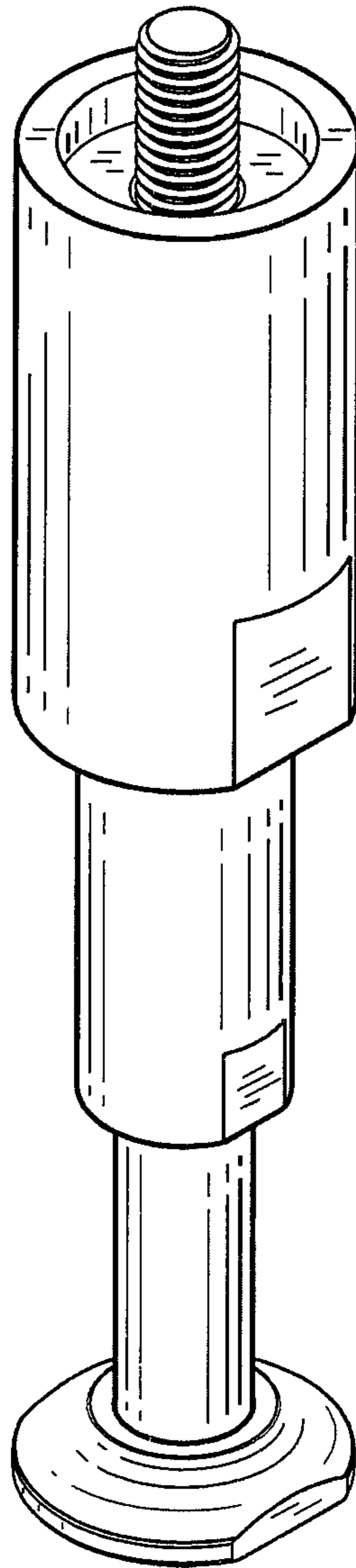


FIG. 7

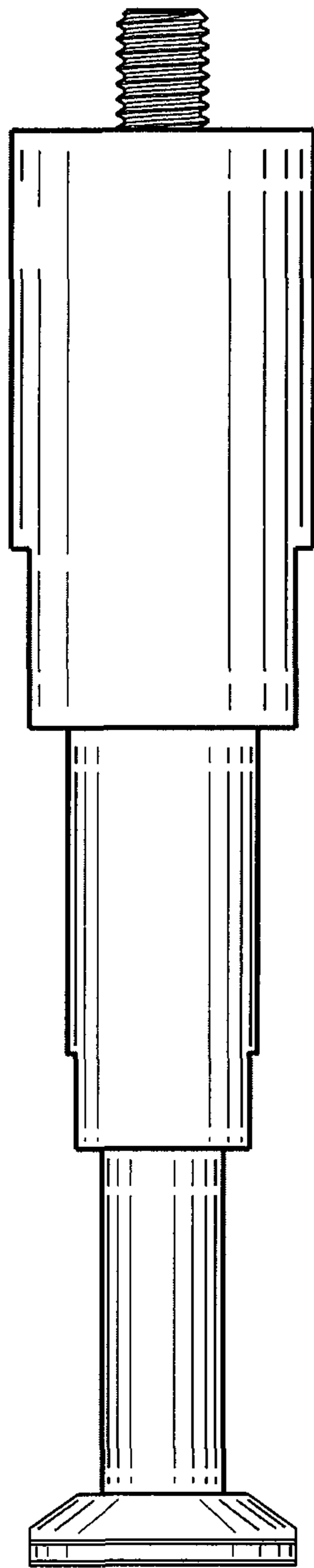


FIG. 8

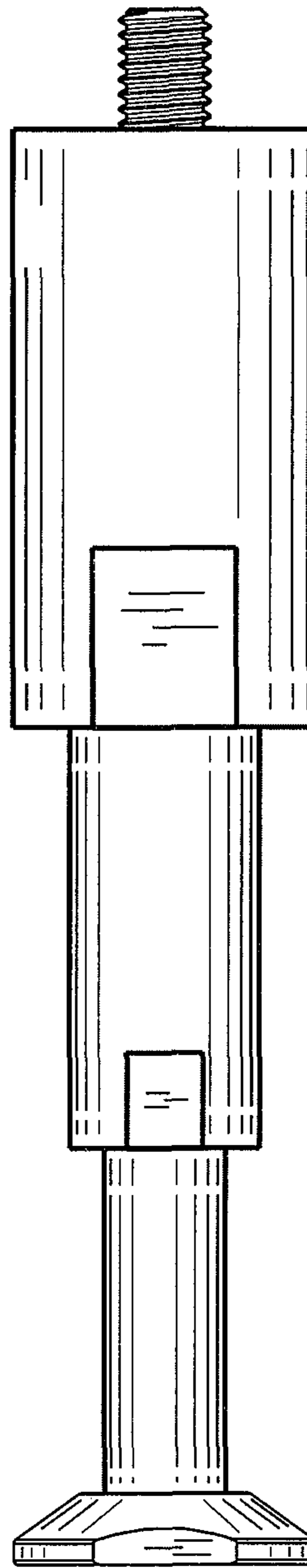


FIG. 9

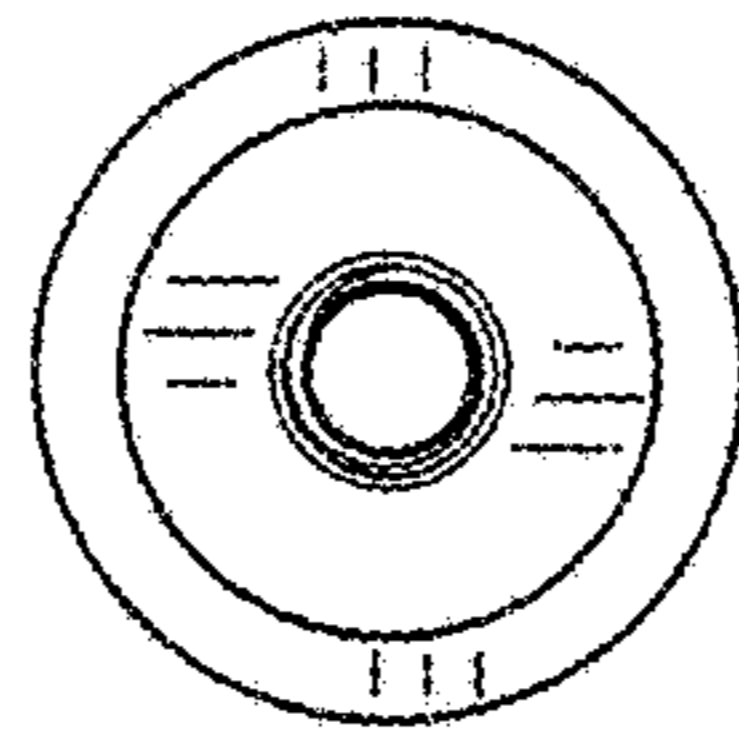


FIG. 10

