



US00D794366S

(12) **United States Design Patent**
Tsuchiyama

(10) **Patent No.:** **US D794,366 S**

(45) **Date of Patent:** **** Aug. 15, 2017**

(54) **TABLE**

- (71) Applicant: **OKAMURA CORPORATION**,
Yokohama-shi, Kanagawa (JP)
- (72) Inventor: **Waku Tsuchiyama**, Yokohama (JP)
- (73) Assignee: **Okamura Corporation**, Yokohama-shi,
Kanagawa (JP)
- (**) Term: **14 Years**
- (21) Appl. No.: **29/522,428**
- (22) Filed: **Mar. 31, 2015**
- (30) **Foreign Application Priority Data**

Oct. 3, 2014 (JP) 2014-022111

(51) **LOC (10) Cl.** **06-06**

(52) **U.S. Cl.**
USPC **D6/709**

(58) **Field of Classification Search**
 USPC D6/480, 481, 482, 483, 484, 485, 486,
 D6/487, 488, 489, 495, 496, 497, 498,
 D6/499, 685, 686, 687, 688, 688.1,
 D6/688.15, 688.16, 688.24, 689-691,
 D6/691.4, 691.6, 691.7, 692, 692.2,
 D6/692.4, 692.5, 693, 693.1, 693.2,
 D6/694.1, 695, 695.2, 695.4, 695.5,
 D6/695.8, 696, 696.1, 696.3, 696.4,
 D6/696.7, 697, 697.1, 697.2, 698, 708,
 D6/708.16, 708.17, 708.23, 709.2,
 D6/709.22; 108/153.1, 156, 157.1, 50.02,
 108/161; 248/188, 188.1, 188.8
 CPC A47B 3/02; A47B 3/00; A47B 3/0818;
 A47B 3/087; A47B 2200/001; A47B
 2200/11; A47B 13/02; A47B 13/04; A47B
 13/06; A47B 7/00; A47B 91/005; A47B
 17/00

See application file for complete search history.

(56) **References Cited**

U.S. PATENT DOCUMENTS

1,094,900	A *	4/1914	Hoit	F16B 7/0466	108/156
1,154,692	A *	9/1915	Dehullu	A47B 3/04	108/156
1,675,827	A *	7/1928	Shrader	A47B 3/12	108/156
D367,193	S *	2/1996	Dame	D6/708	
D575,968	S *	9/2008	Saffell	D6/709.21	
D595,967	S *	7/2009	Parsons	D6/335	
D649,810	S *	12/2011	Martin	D6/702	
D649,812	S *	12/2011	Martin	D6/709	
D650,612	S *	12/2011	Frinier	D6/691.3	
D651,430	S *	1/2012	Martin	D6/708	
D651,431	S *	1/2012	Udagawa	D6/708	
D659,451	S *	5/2012	Hattenbach	D6/707.23	
D661,129	S *	6/2012	Schweikarth	D6/349	

(Continued)

Primary Examiner — Karen Kearney

Assistant Examiner — Christopher J Matthews

(74) *Attorney, Agent, or Firm* — Sughrue Mion, PLLC

(57) **CLAIM**

The ornamental design for a table, as shown and described.

DESCRIPTION

FIG. 1 is a perspective view of a table.

FIG. 2 is a front elevation view thereof.

FIG. 3 is a rear elevation view thereof.

FIG. 4 is a right side elevation view thereof.

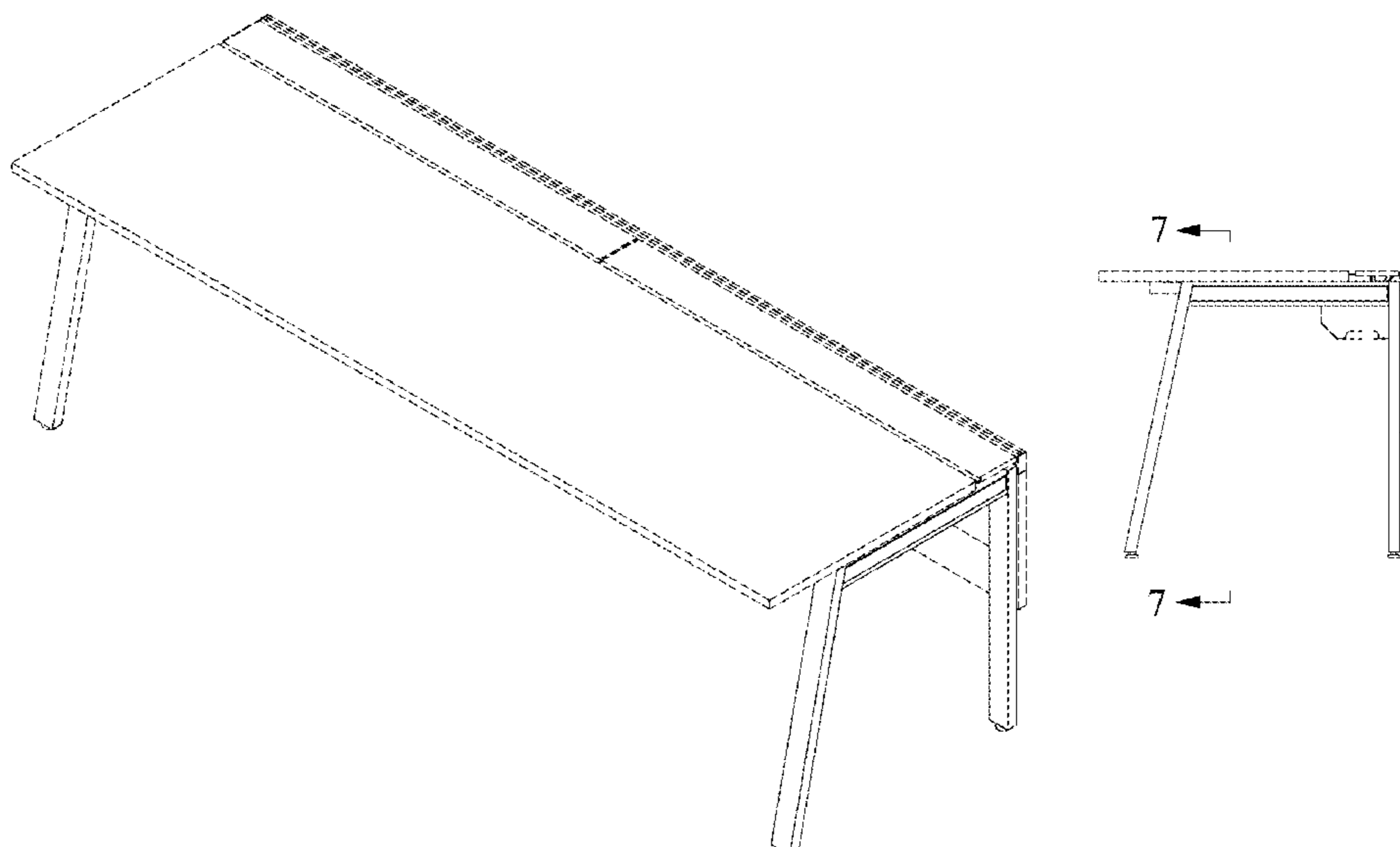
FIG. 5 is a bottom plan view thereof.

FIG. 6 is a cross-sectional view taken along the line 6-6 in FIG. 2; and,

FIG. 7 is a cross-sectional view taken along the line 7-7 in FIG. 4.

The broken lines shown in the drawings illustrate portions of the table that form no part of the claimed design.

1 Claim, 7 Drawing Sheets



(56)

References Cited

U.S. PATENT DOCUMENTS

D662,336	S *	6/2012	Martin	D6/656
D662,731	S *	7/2012	Martin	D6/656
D673,793	S *	1/2013	McKsymick	D6/691.6
D674,625	S *	1/2013	Mecherle	D6/691
D675,462	S *	2/2013	Petrovich	D6/691.8
D683,161	S *	5/2013	Polloni	D6/691.8
D684,414	S *	6/2013	Tsuchiyama	D6/709
D716,073	S *	10/2014	Hsu	D6/654.17
D717,572	S *	11/2014	Morrison	D6/647
D719,379	S *	12/2014	Tsuchiyama	D6/656
D720,547	S *	1/2015	Li	D6/349
D721,525	S *	1/2015	Huang	D6/691.9
D721,908	S *	2/2015	Hughes	D6/691.9
D723,840	S *	3/2015	Scharer	D6/656.13
D728,974	S *	5/2015	Vats	D14/305
D730,659	S *	6/2015	Sakurai	D6/656.13
2009/0114127	A1 *	5/2009	Wright	A47C 7/56
					108/35
2012/0237142	A1 *	9/2012	Derkoski	A47B 3/06
					383/6

* cited by examiner

FIG. 1

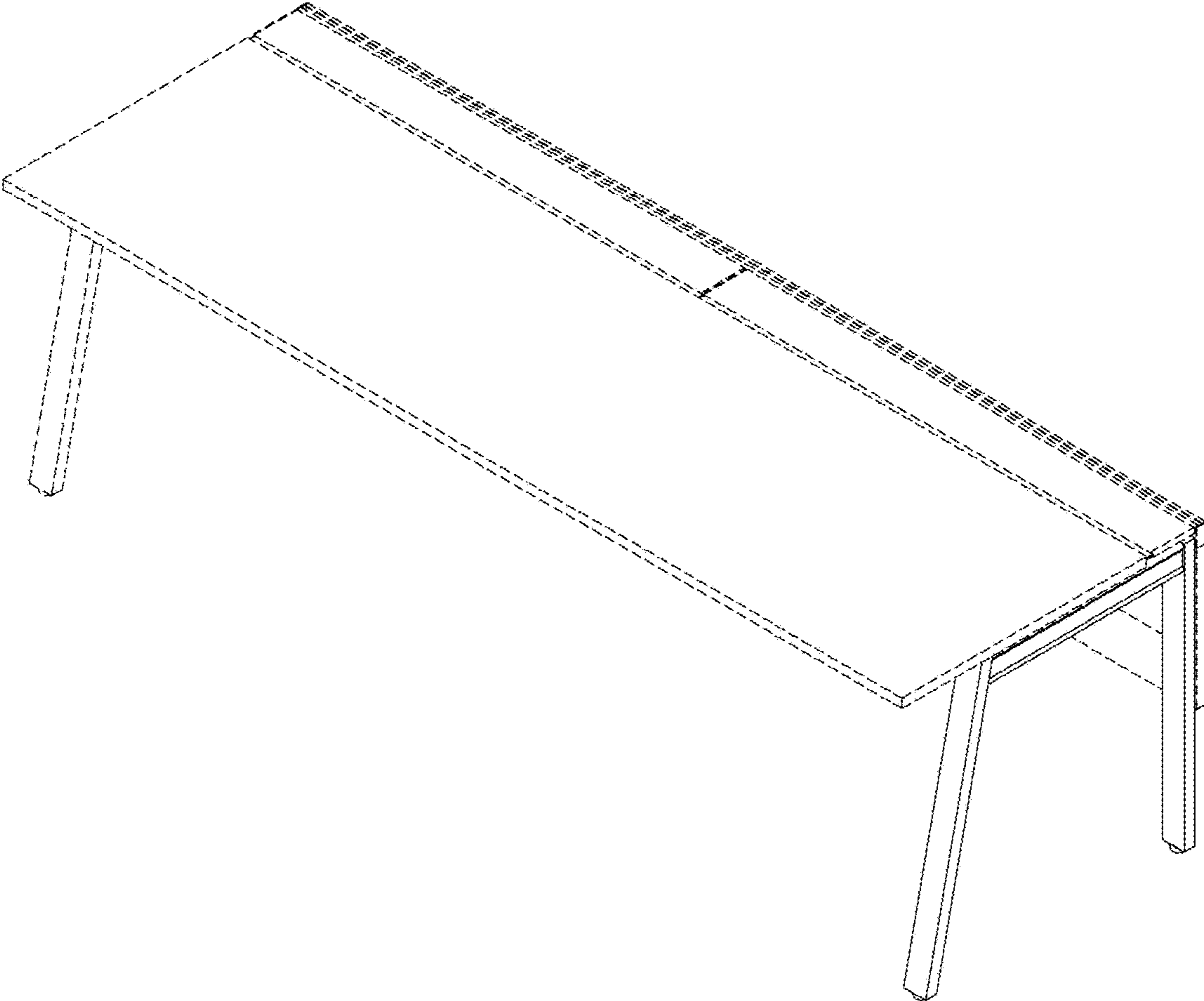


FIG. 2

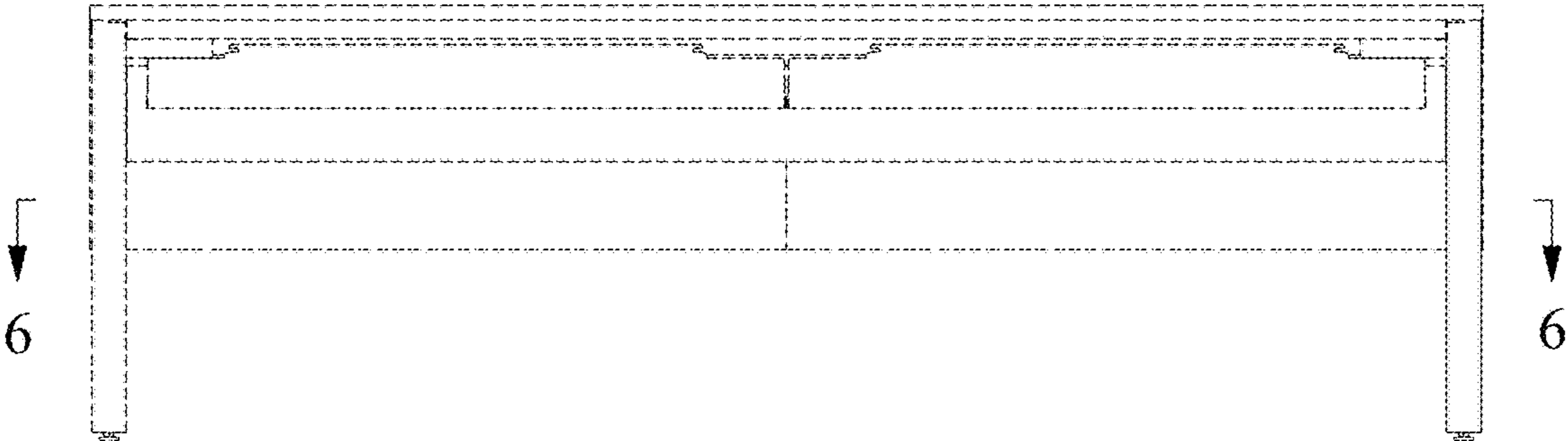


FIG. 3

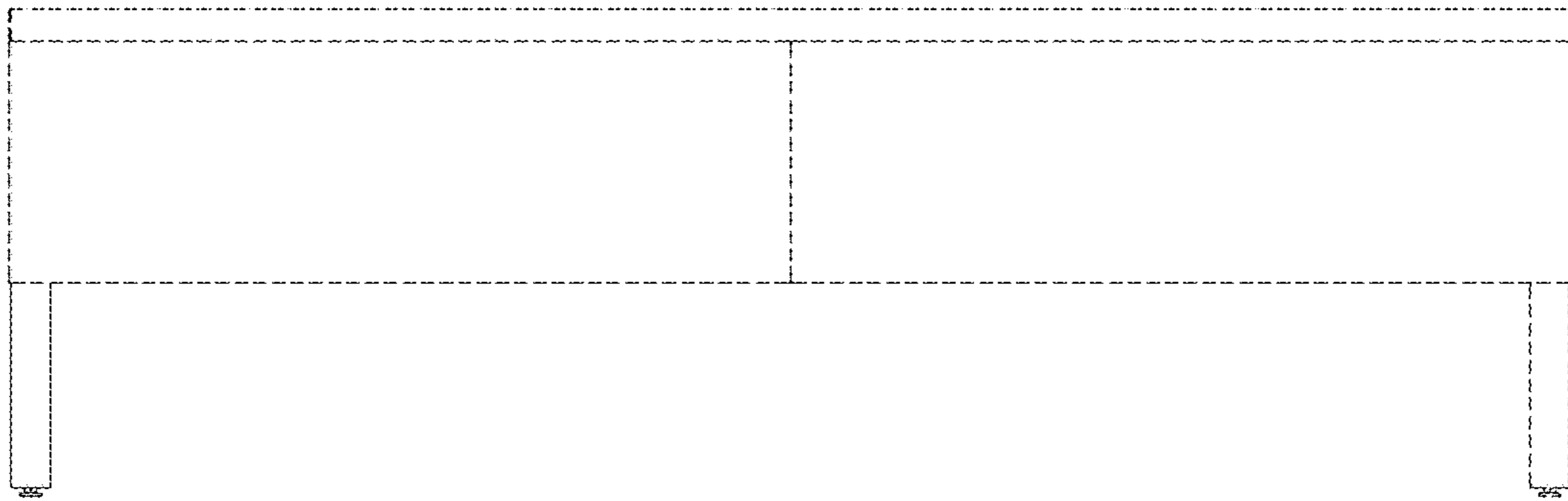


FIG. 4

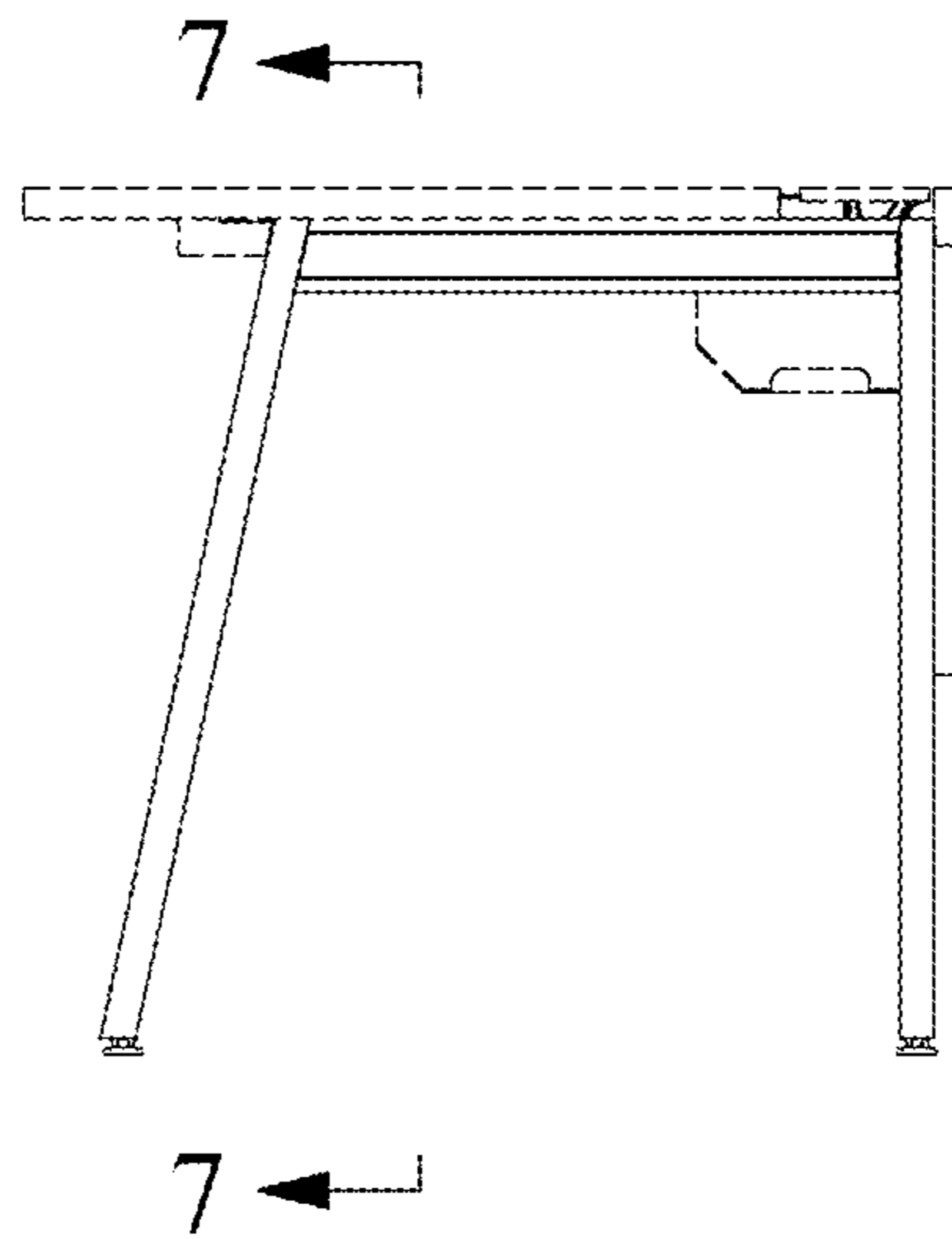


FIG. 5

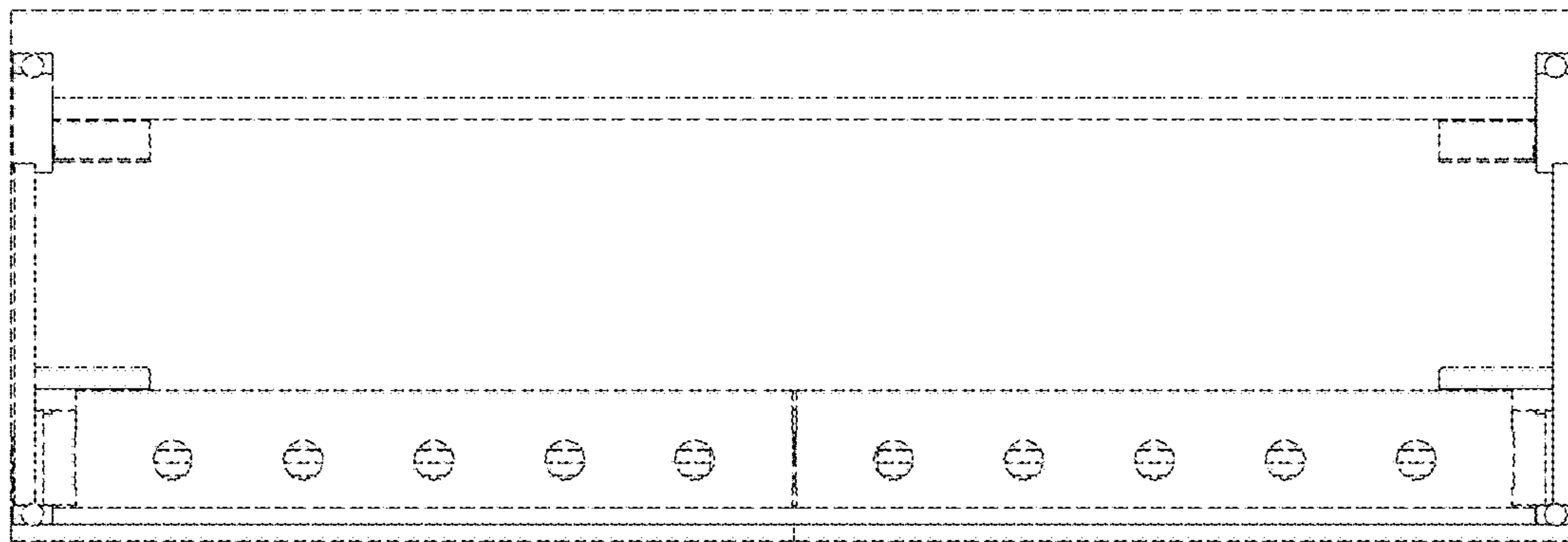


FIG. 6

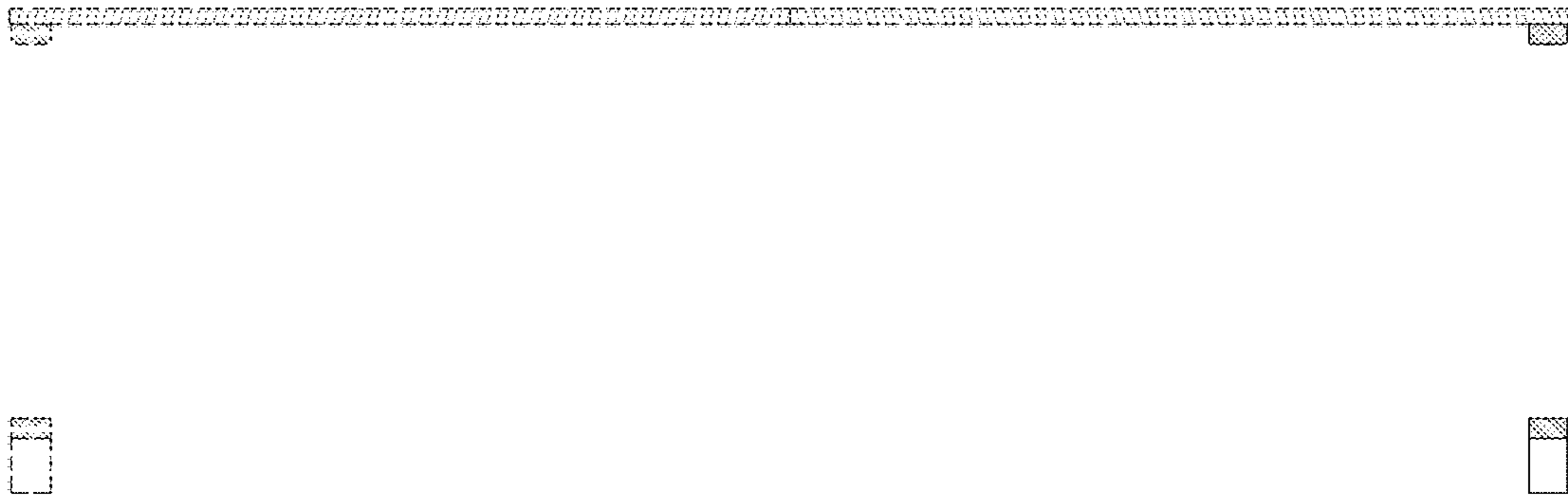


FIG. 7

