



US00D794365S

(12) **United States Design Patent** (10) **Patent No.:** **US D794,365 S**  
**Izawa** (45) **Date of Patent:** **\*\* Aug. 15, 2017**

(54) **CHAIR**

(71) Applicant: **Okamura Corporation**, Yokohama-shi,  
Kanagawa (JP)

(72) Inventor: **Syouichi Izawa**, Yokohama (JP)

(73) Assignee: **Okamura Corporation**, Yokohama-shi,  
Kanagawa (JP)

(\*\*) Term: **15 Years**

(21) Appl. No.: **29/555,427**

(22) Filed: **Feb. 22, 2016**

(30) **Foreign Application Priority Data**

Sep. 28, 2015 (JP) ..... 2015-021251

(51) **LOC (10) Cl.** ..... **06-01**

(52) **U.S. Cl.**  
USPC ..... **D6/708.23**

(58) **Field of Classification Search**  
USPC ..... D6/334–336, 364, 365, 366, 708.23,  
D6/708.24, 708.25

CPC ..... A47C 7/002; A47C 7/004; A47C 7/006;  
A47C 7/48; A47C 3/20; A47C 3/24

See application file for complete search history.

(56) **References Cited**

**U.S. PATENT DOCUMENTS**

D192,143 S \* 1/1962 Anderson ..... D6/708.23  
3,593,954 A \* 7/1971 Ritchie ..... A47C 7/004  
248/215

D507,436 S \* 7/2005 Chao ..... D6/366  
D520,764 S \* 5/2006 Kinoshita ..... D6/366  
D521,755 S \* 5/2006 Kinoshita ..... D6/366  
D541,062 S \* 4/2007 Su ..... D6/366  
D541,063 S \* 4/2007 Su ..... D6/366  
D557,027 S \* 12/2007 Hara ..... D6/366  
D567,523 S \* 4/2008 Hara ..... D6/366  
D575,084 S \* 8/2008 Jehs ..... D6/708.23  
D652,647 S \* 1/2012 Schaack ..... D6/366  
9,380,879 B2 \* 7/2016 Hector ..... A47C 7/48  
D762,996 S \* 8/2016 Fancelli ..... D6/366

\* cited by examiner

*Primary Examiner* — Mimosa De

(74) *Attorney, Agent, or Firm* — Sughrue Mion, PLLC

(57) **CLAIM**

The ornamental design for a chair, as shown and described.

**DESCRIPTION**

FIG. 1 is a perspective view from the front side of a chair.  
FIG. 2 is a perspective view from the rear side thereof.  
FIG. 3 is a front elevation view thereof.  
FIG. 4 is a rear elevation view thereof.  
FIG. 5 is a right side elevation view thereof.  
FIG. 6 is a left side elevation view thereof.  
FIG. 7 is a top plan view thereof; and,  
FIG. 8 is a bottom plan view thereof.  
The broken lines shown in the drawings illustrate portions of  
the chair that form no part of the claimed design.

**1 Claim, 8 Drawing Sheets**

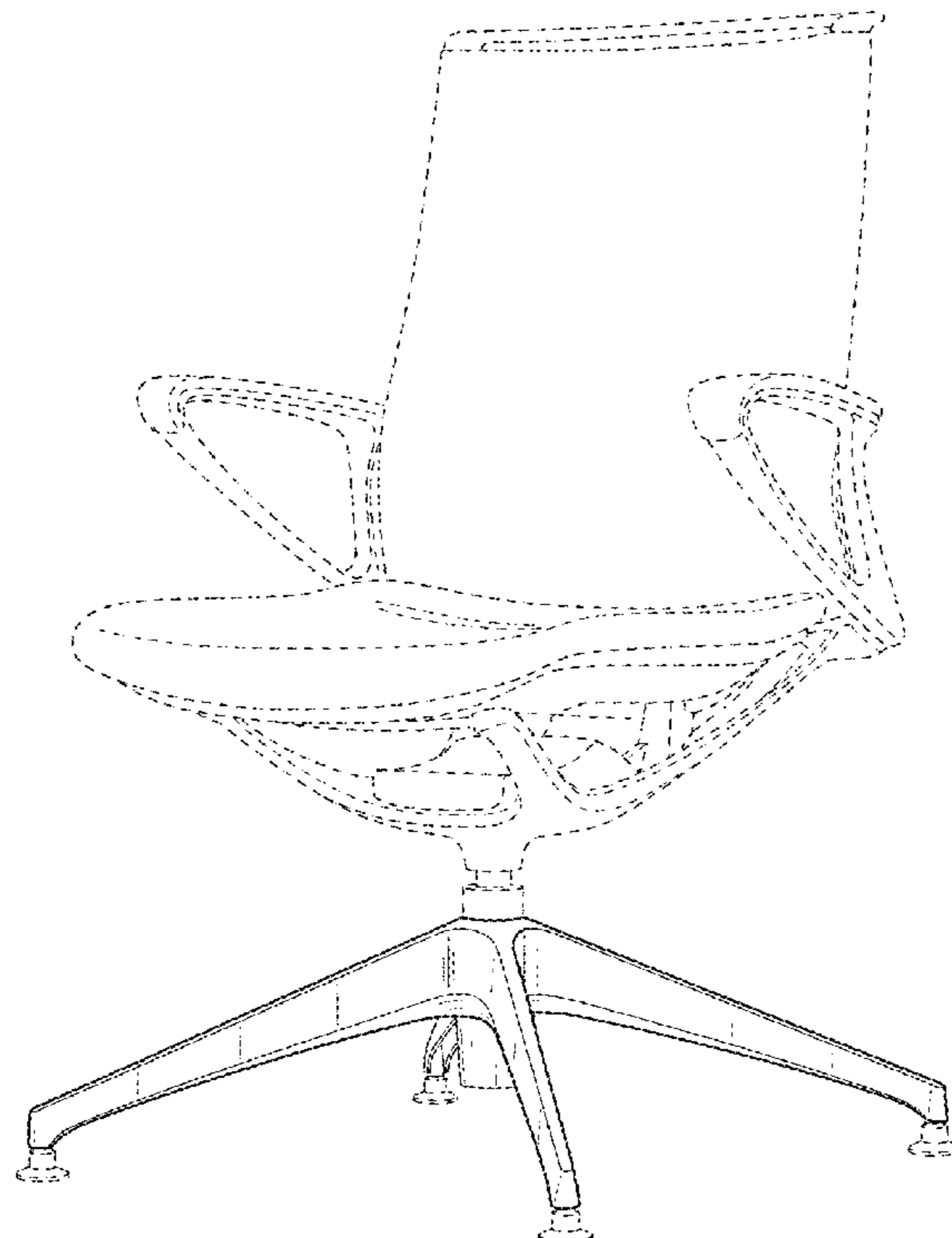


FIG. 1

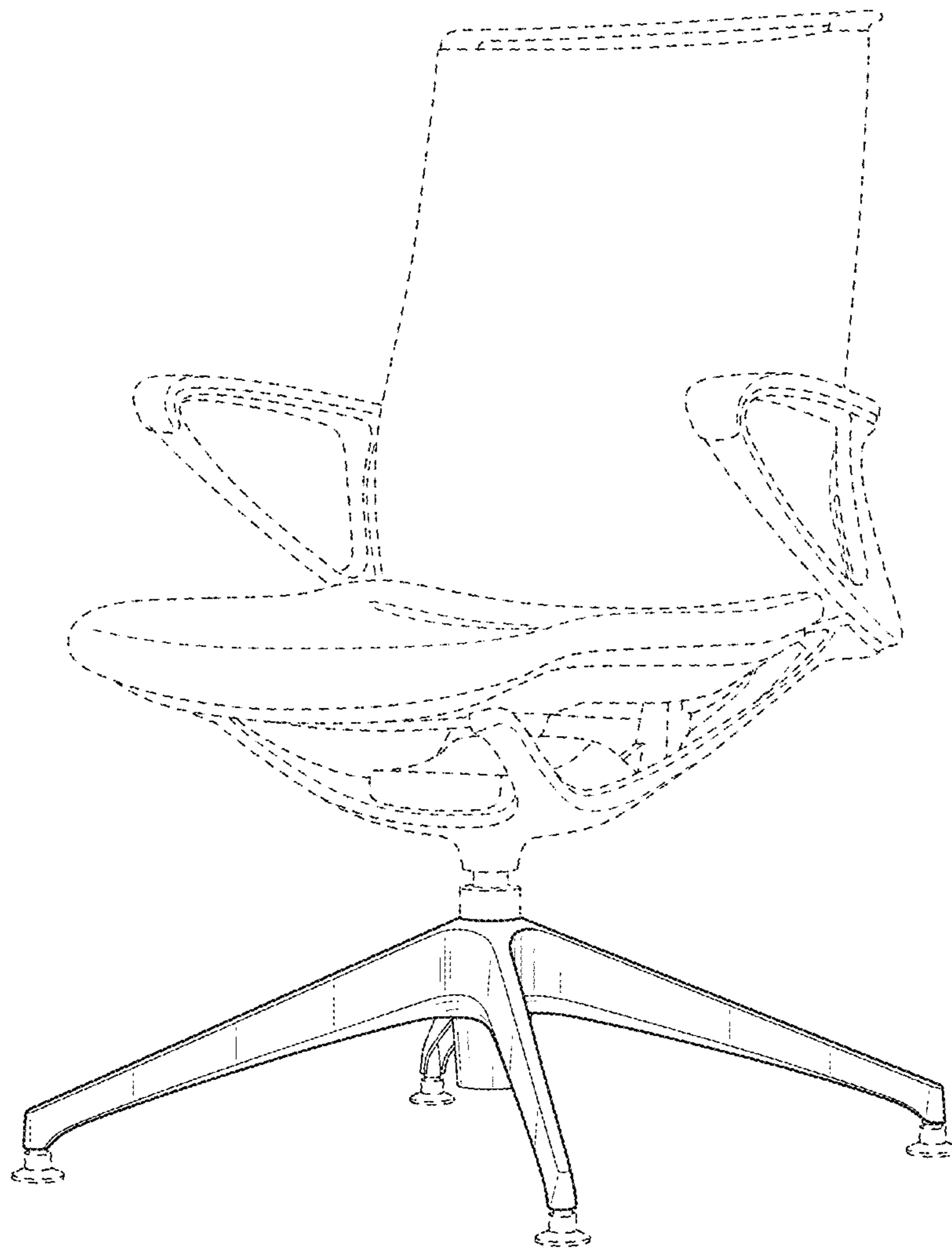


FIG. 2

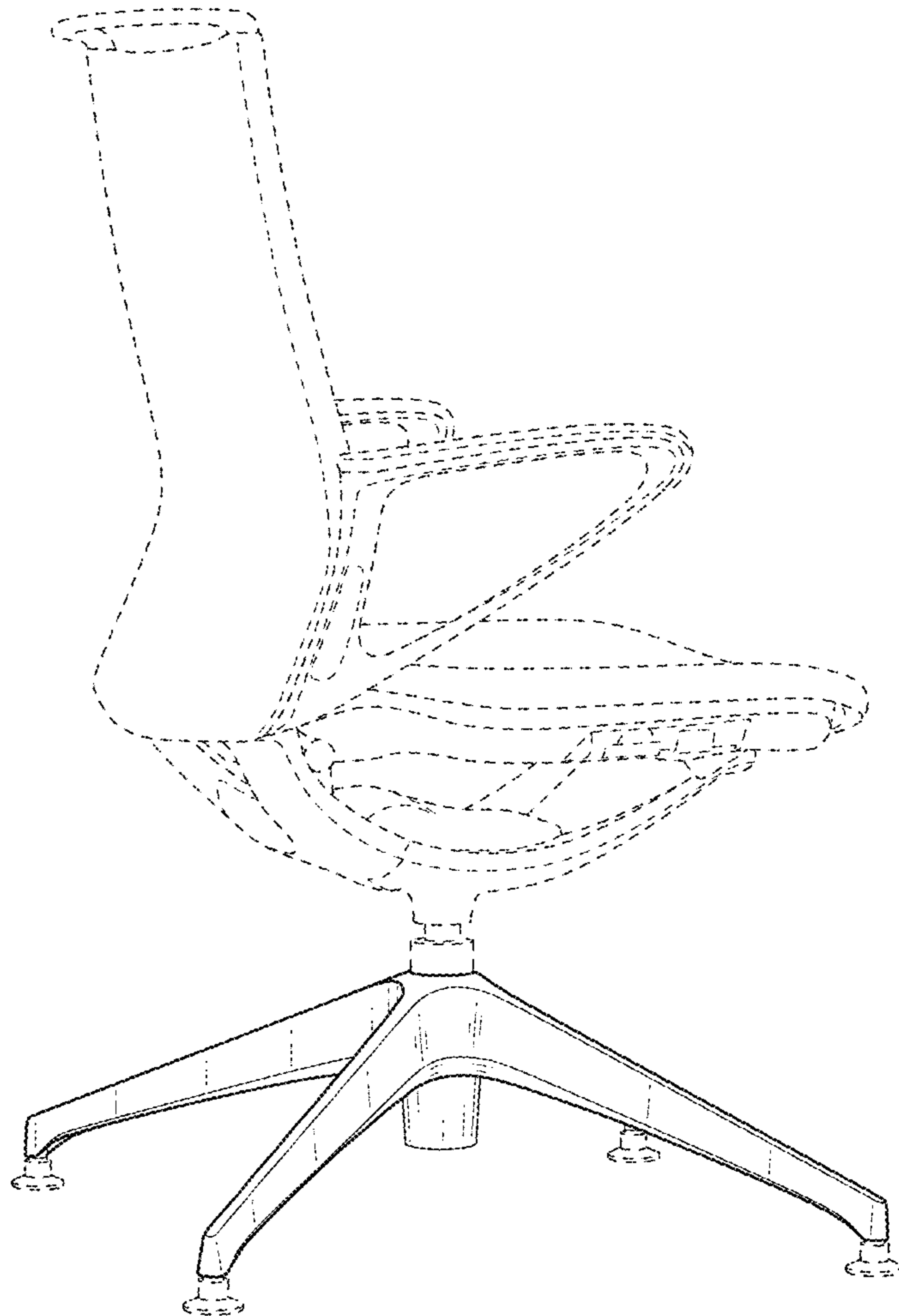


FIG. 3

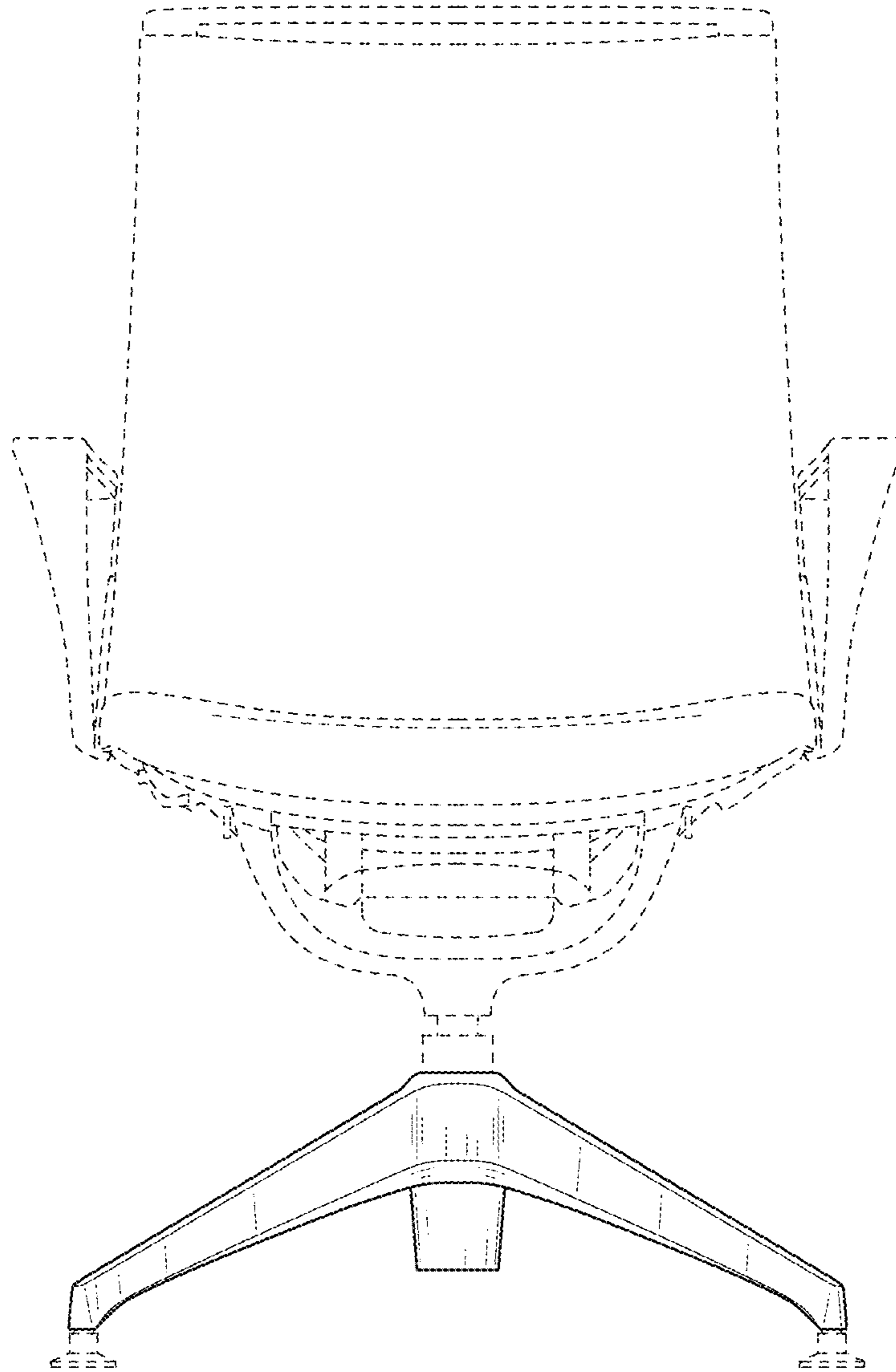


FIG. 4

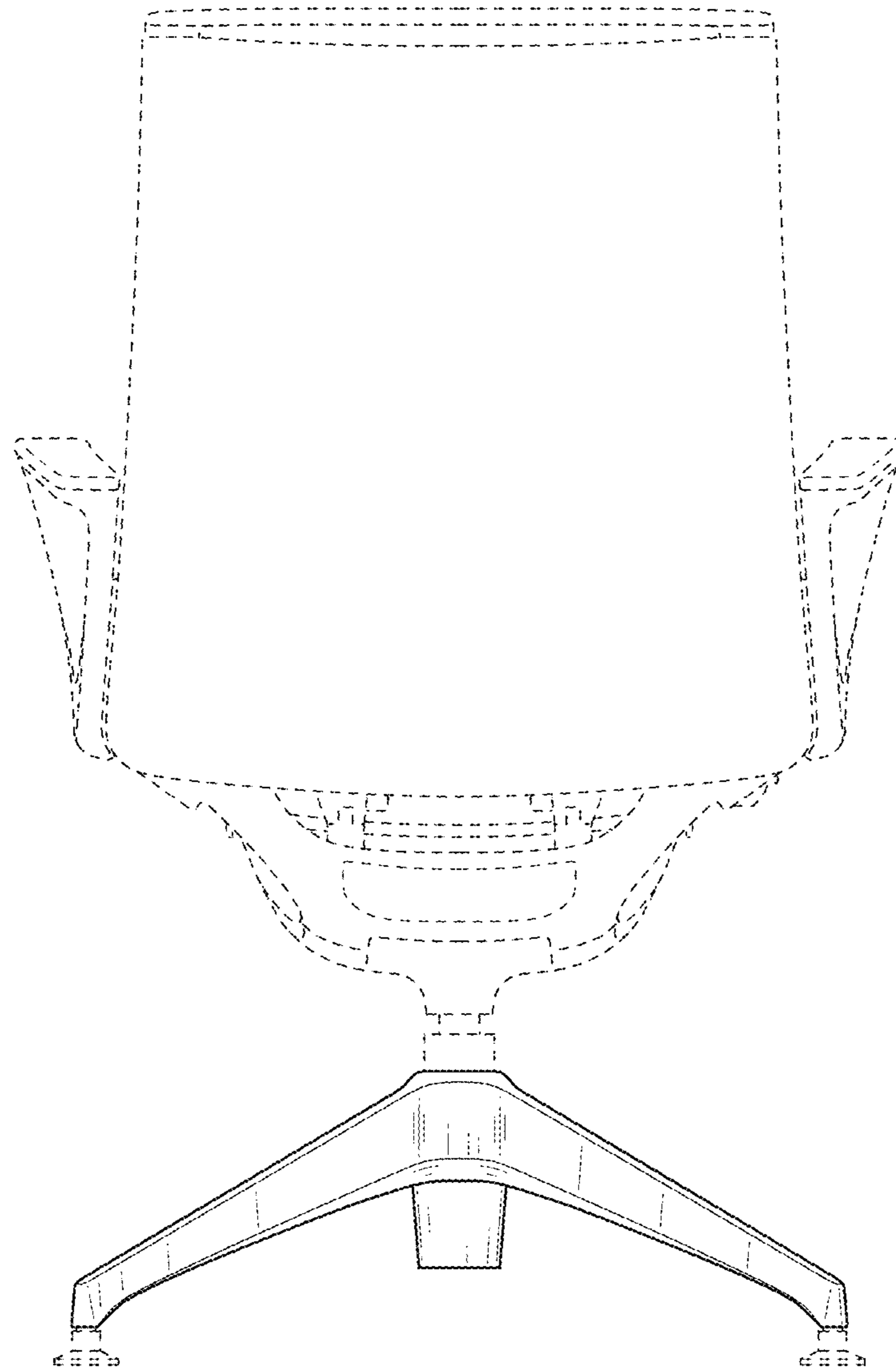


FIG. 5

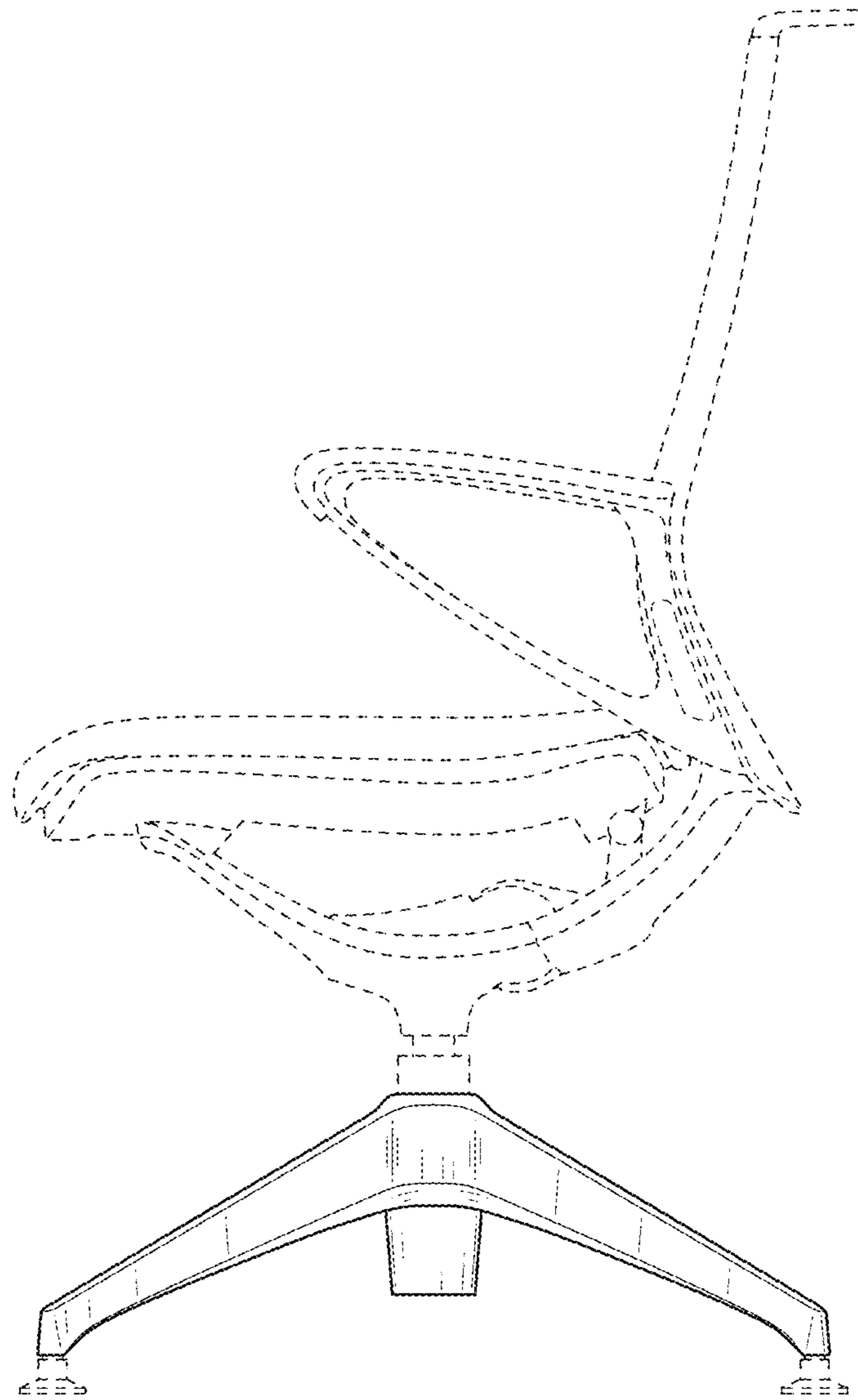


FIG. 6

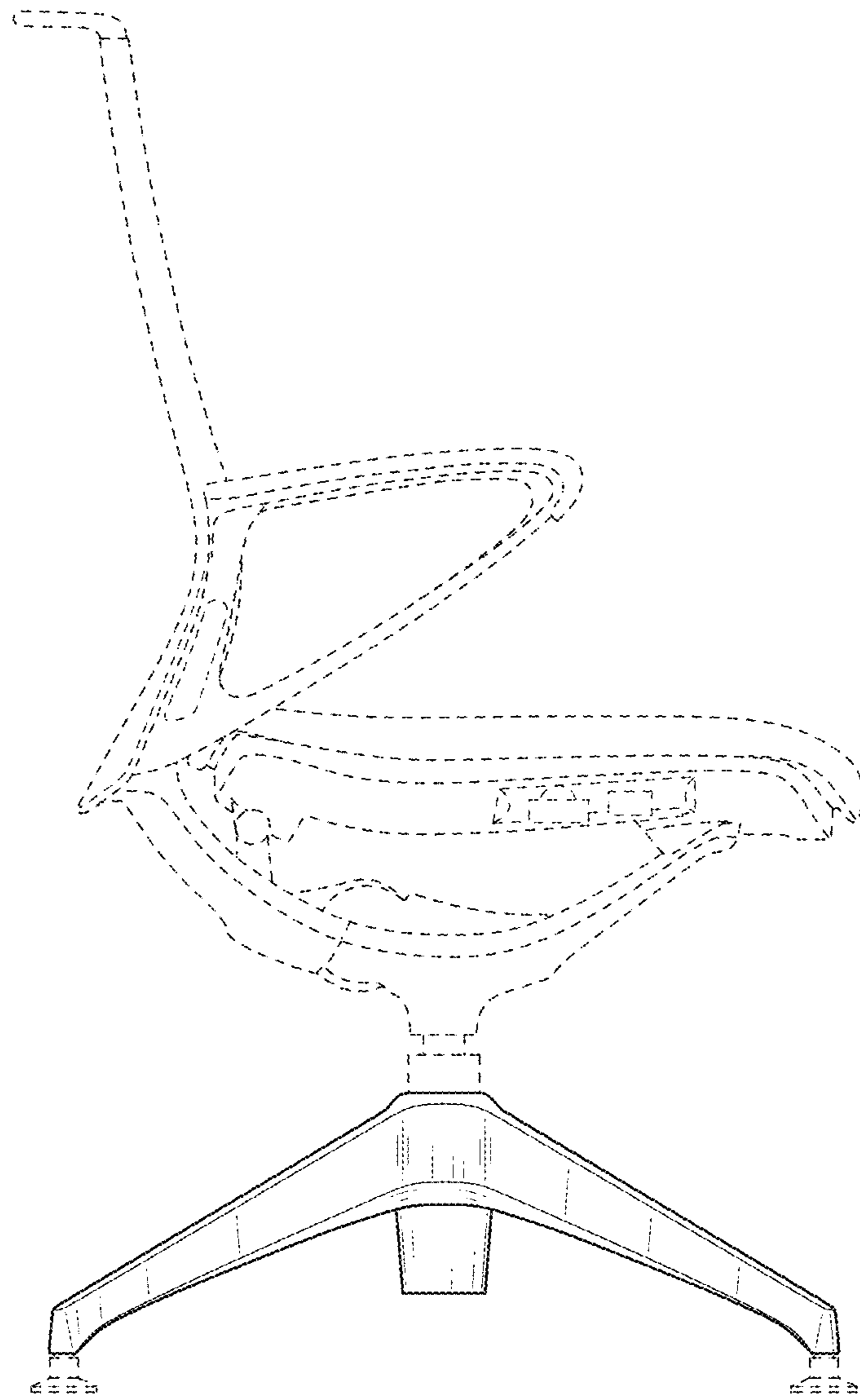


FIG. 7





FIG. 8

