



US00D794364S

(12) **United States Design Patent** (10) **Patent No.:** **US D794,364 S**  
**Tsuchiyama** (45) **Date of Patent:** **\*\* Aug. 15, 2017**

(54) **TABLE**  
(71) Applicant: **OKAMURA CORPORATION**,  
Yokohama-shi, Kanagawa (JP)  
(72) Inventor: **Waku Tsuchiyama**, Yokohama (JP)  
(73) Assignee: **Okamura Corporation**, Yokohama-shi,  
Kanagawa (JP)  
(\*\*) Term: **14 Years**  
(21) Appl. No.: **29/522,426**  
(22) Filed: **Mar. 31, 2015**

D220,704 S \* 5/1971 Kramer ..... D6/691.8  
D244,114 S \* 4/1977 Neff ..... D6/691.8  
D281,555 S \* 12/1985 Levy ..... D6/406.6  
D510,492 S \* 10/2005 Sakurai ..... D6/709  
D530,548 S \* 10/2006 McCurry ..... D6/708  
D532,210 S \* 11/2006 McCurry ..... D6/349  
D532,983 S \* 12/2006 McCurry ..... D6/349  
D558,490 S \* 1/2008 Christensen ..... D6/691.5  
D588,380 S \* 3/2009 Bucholz ..... D6/691.5  
D593,342 S \* 6/2009 Pessa ..... D6/702  
D608,568 S \* 1/2010 Manz ..... D6/691.5  
D611,734 S \* 3/2010 Stukenberg ..... D6/691.8  
D611,735 S \* 3/2010 Stukenberg ..... D6/691.8  
D614,889 S \* 5/2010 Van Duysen ..... D6/691.5  
D630,658 S \* 1/2011 Sims ..... D15/145  
D637,836 S \* 5/2011 Cortivo ..... D6/656  
D669,695 S \* 10/2012 McCurry ..... D6/349  
D686,438 S \* 7/2013 Denby ..... D6/687

(Continued)

(30) **Foreign Application Priority Data**

Oct. 3, 2014 (JP) ..... 2014-022109

(51) **LOC (10) Cl.** ..... **06-04**

(52) **U.S. Cl.**  
USPC ..... **D6/708**

(58) **Field of Classification Search**  
USPC ..... D6/349, 641, 656, 671, 675, 677, 685,  
D6/687, 690, 691, 691.1, 691.2, 691.3,  
D6/691.4, 691.5, 691.9, 693, 695, 695.2,  
D6/696, 696.1, 697, 697.1, 698, 699,  
D6/699.2, 703, 707, 708, 709, 709.2,  
D6/709.21; D25/62, 63, 64, 66, 67, 68,  
D25/69  
CPC ..... A47B 7/00; A47B 13/08; A47B 13/10;  
A47B 21/00; A47B 2009/006; A47B  
11/00; A47B 2200/002  
See application file for complete search history.

(56) **References Cited**

**U.S. PATENT DOCUMENTS**

2,615,770 A \* 10/1952 Curtis ..... A47B 3/06  
108/155  
D217,261 S \* 4/1970 Gianfagna ..... D6/691.8

*Primary Examiner* — Mary Ann Calabrese

*Assistant Examiner* — Sloan Rozin

(74) *Attorney, Agent, or Firm* — Sughrue Mion, PLLC

(57) **CLAIM**

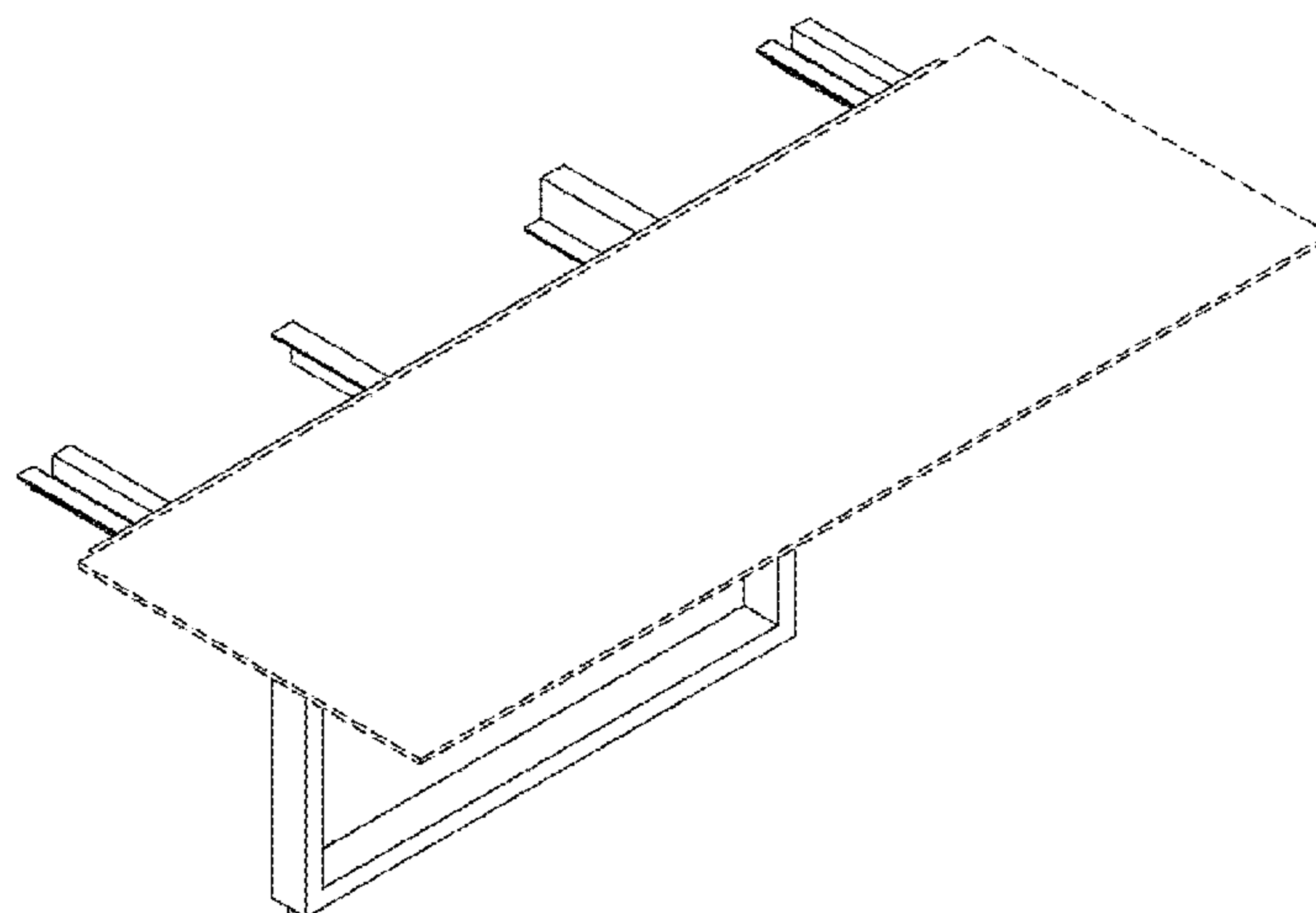
The ornamental design for a table, as shown and described.

**DESCRIPTION**

FIG. 1 is a perspective view of a table.  
FIG. 2 is a front elevation view thereof. A rear elevation view is a mirror image of the front elevation view.  
FIG. 3 is a right side elevation view thereof.  
FIG. 4 is a left side elevation view thereof.  
FIG. 5 is a top plan view thereof.  
FIG. 6 is a bottom plan view thereof.  
FIG. 7 is an enlarged cross-sectional view taken along the line 7-7 in FIG. 3; and,  
FIG. 8 is an enlarged cross-sectional view taken along the line 8-8 in FIG. 2.

The broken lines shown in the drawings illustrate portions of the table that form no part of the claimed design.

**1 Claim, 8 Drawing Sheets**



(56)

**References Cited**

U.S. PATENT DOCUMENTS

D711,670 S \* 8/2014 Woods ..... D6/681  
D721,245 S \* 1/2015 Agati ..... D6/709  
D743,707 S \* 11/2015 Simitian ..... D6/349  
D777,481 S \* 1/2017 Denby ..... D6/675.3  
D783,328 S \* 4/2017 Hollingsworth ..... D6/708  
D785,984 S \* 5/2017 Atzmon ..... D6/691  
2016/0273568 A1\* 9/2016 Choi ..... A47B 13/02

\* cited by examiner

FIG. 1

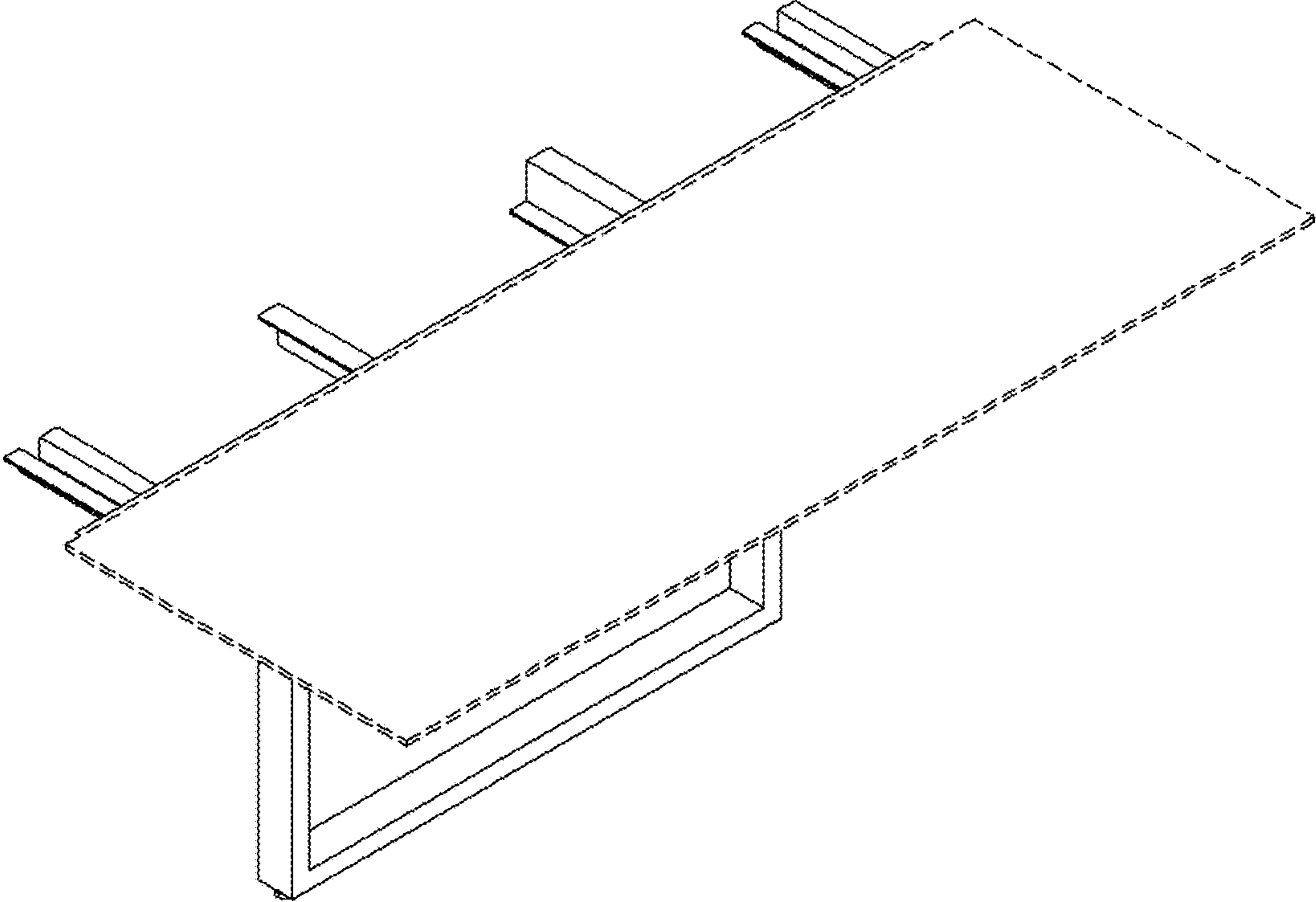


FIG. 2

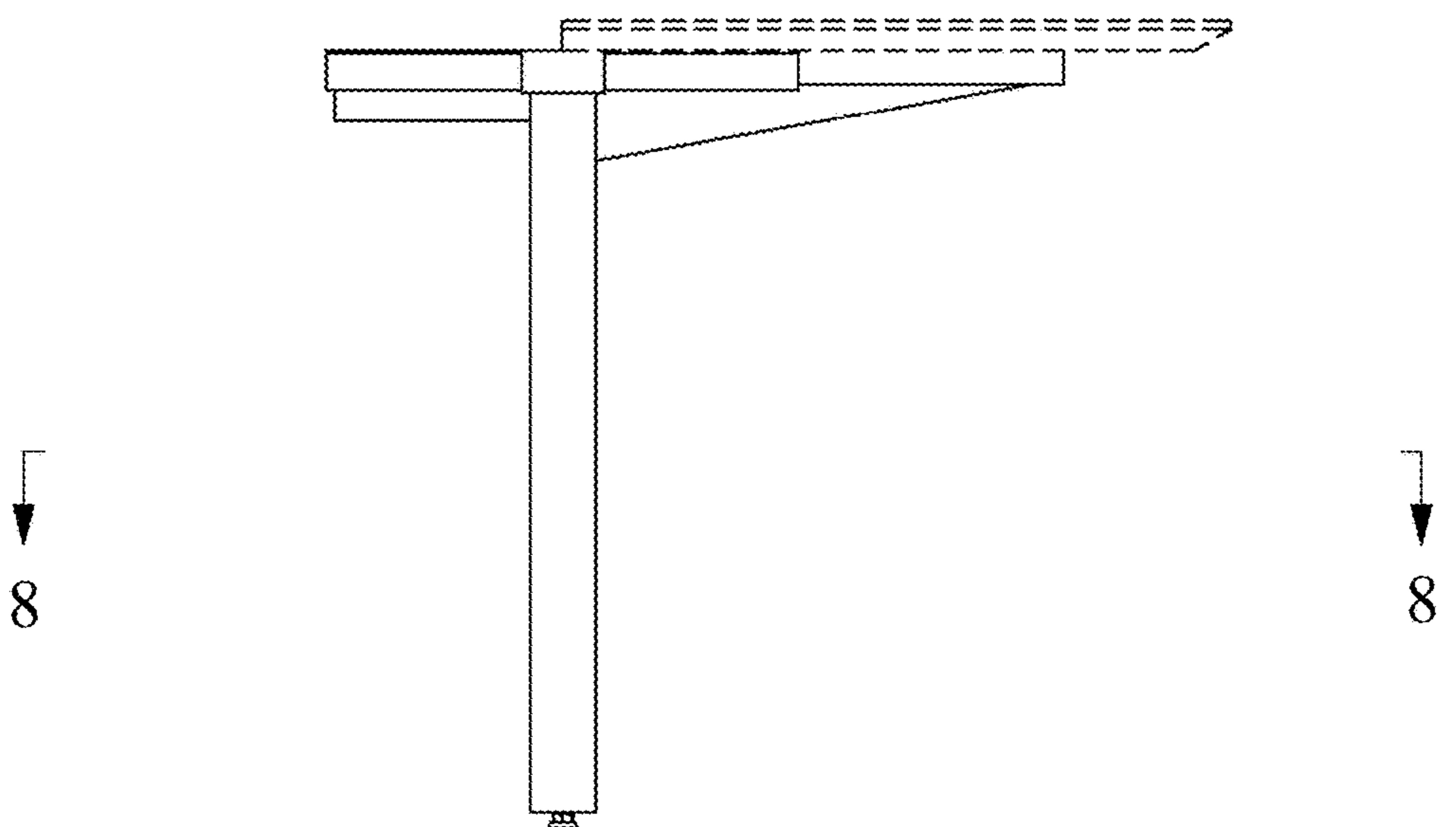


FIG. 3

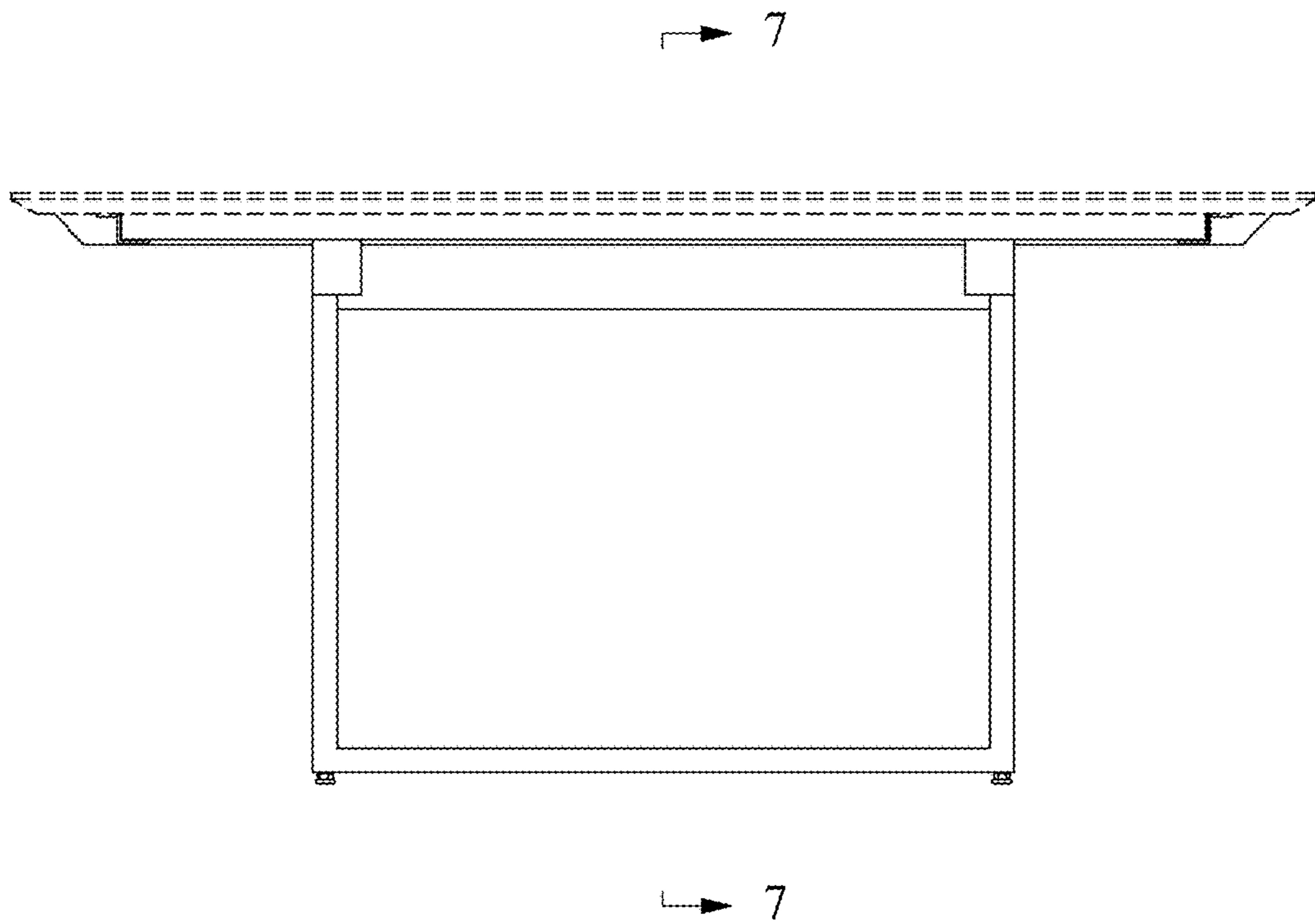


FIG. 4

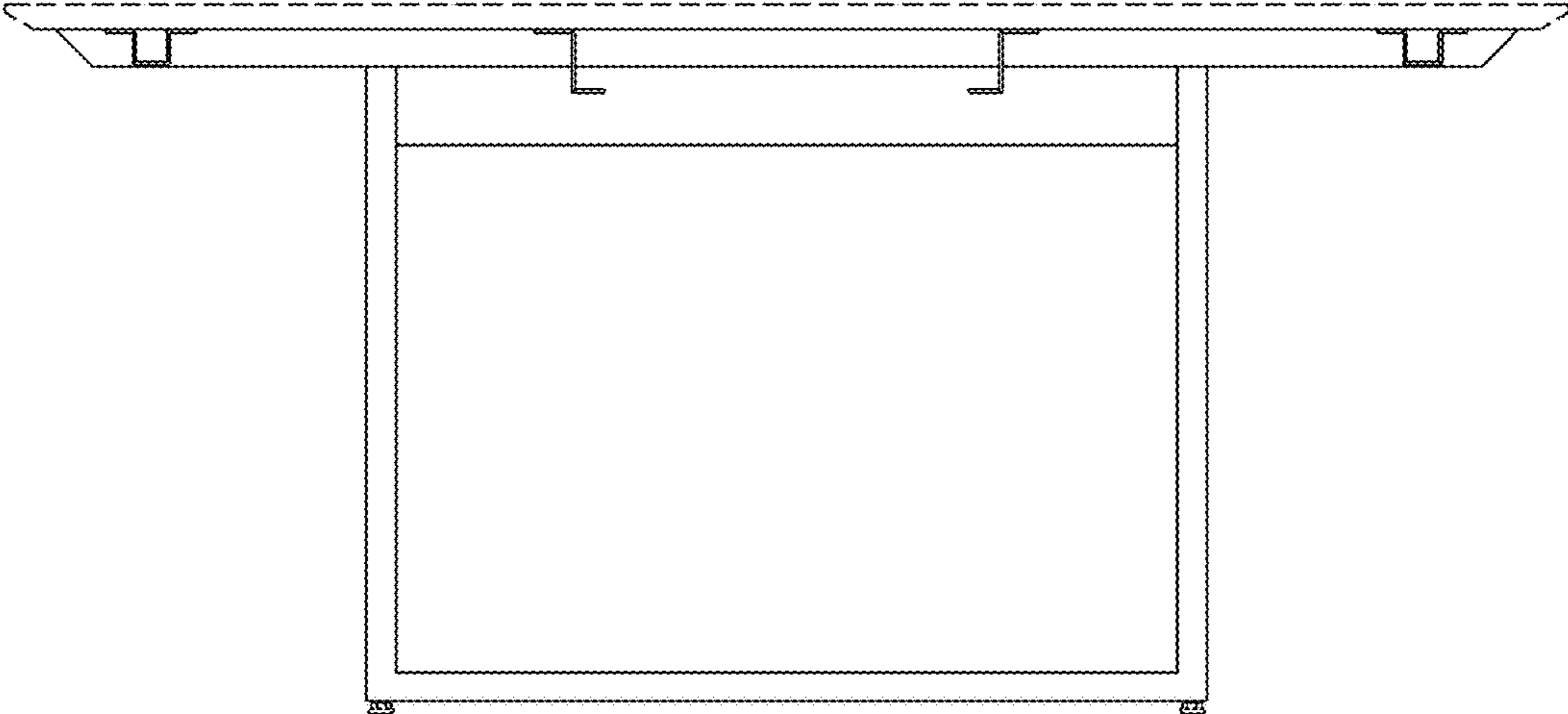


FIG. 5

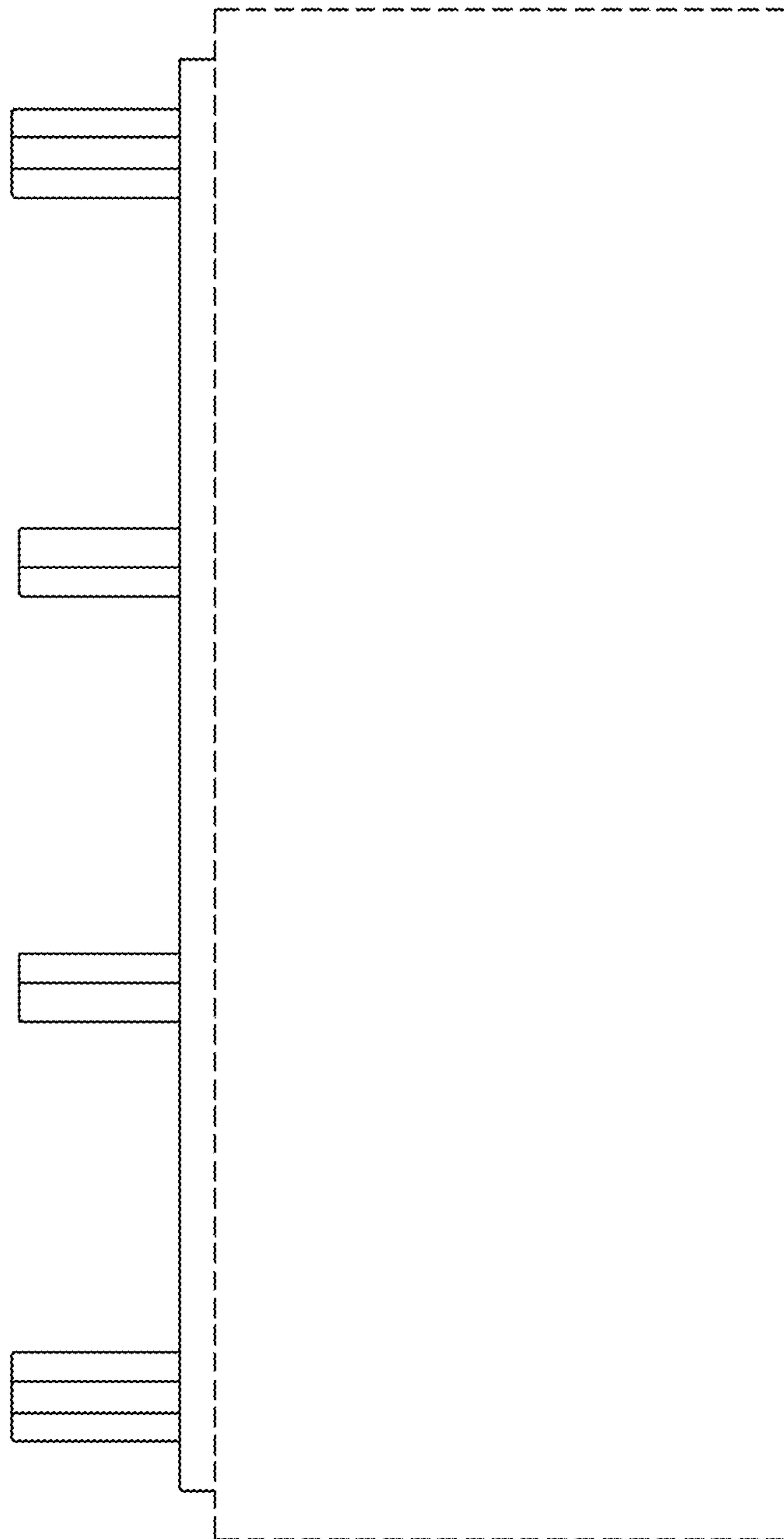


FIG. 6

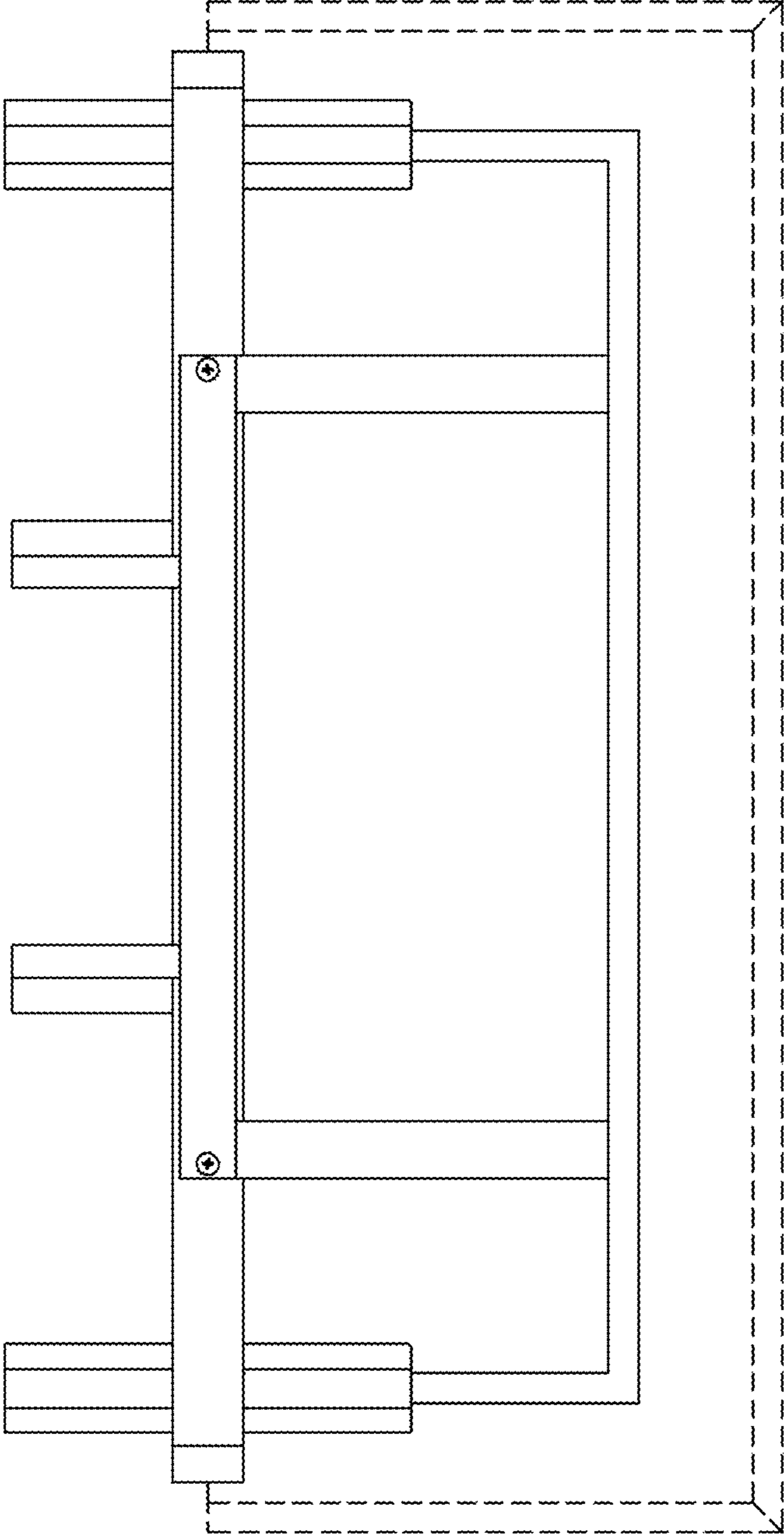




FIG. 7

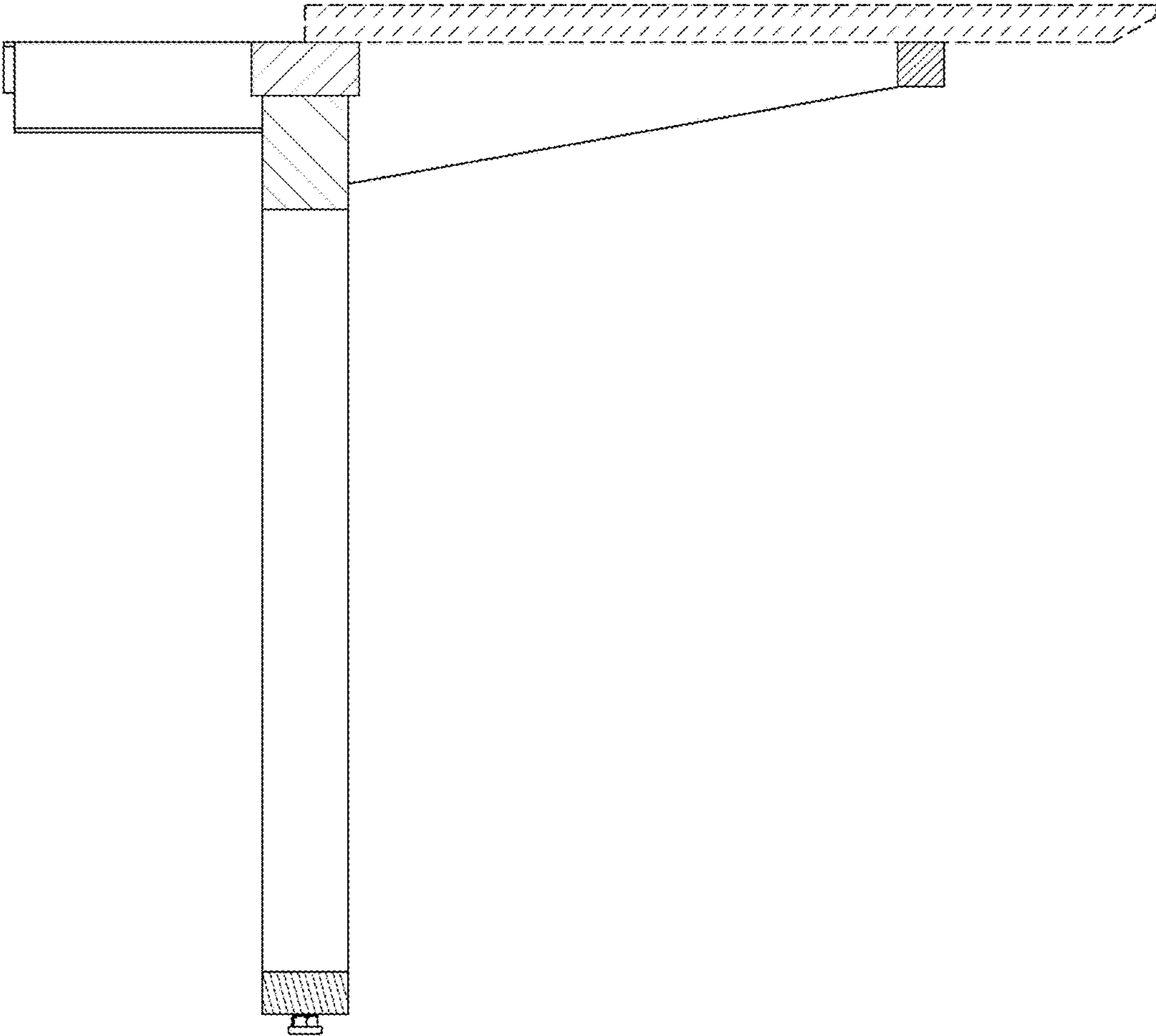


FIG. 8

