



US00D794363S

(12) **United States Design Patent** (10) **Patent No.:** **US D794,363 S**
Yoo et al. (45) **Date of Patent:** **** Aug. 15, 2017**

- (54) **PODIUM**
- (71) Applicant: **Steelcase Inc.**, Grand Rapids, MI (US)
- (72) Inventors: **Hyun Yoo**, Grand Rapids, MI (US);
Michael Held, Quarry Bay (HK); **Siu Cho Ho**, Fanling (HK); **Mark William Spoelhof**, Grand Rapids, MI (US)
- (73) Assignee: **Steelcase Inc.**, Grand Rapids, MI (US)
- (**) Term: **15 Years**
- (21) Appl. No.: **29/549,120**
- (22) Filed: **Dec. 18, 2015**
- (51) **LOC (10) Cl.** **06-04**
- (52) **U.S. Cl.**
USPC **D6/700**; D6/641; D6/685
- (58) **Field of Classification Search**
USPC D6/310, 353, 513, 656.13, 675.5, 692.3,
D6/700, 708.2; D8/354; D11/143;
D15/140; D19/88; D25/68; D34/31;
108/6, 7, 115-117
CPC A47B 19/00; A47B 19/06
See application file for complete search history.

(56) **References Cited**

U.S. PATENT DOCUMENTS

856,679 A	6/1907	Buckland et al.	
D8,882 S	12/1932	Parker	
D89,053 S *	1/1933	Mitchell et al.	D6/700
D148,838 S *	3/1948	Anderson et al.	D11/143
3,467,033 A *	9/1969	Remer	A47C 9/10 108/115
3,934,806 A	1/1976	Rady	
D250,920 S *	1/1979	Waters	D6/700
D276,779 S	12/1984	Gomez	
D285,507 S	9/1986	Middlemist	
D288,099 S *	2/1987	Abitz	D15/140
D323,752 S *	2/1992	Montagner	D19/88

D338,310 S *	8/1993	Clarke	D34/31
D350,888 S *	9/1994	Perry	D34/31
D360,777 S	8/1995	Glebe	
D365,223 S *	12/1995	Pryor	D6/700
D368,602 S	4/1996	Jordan	
D377,276 S	1/1997	Hirsch et al.	
D463,691 S *	10/2002	Porter	D6/708.2
D485,742 S *	1/2004	Heberle	D8/354
D531,839 S *	11/2006	Lade	D6/692.3
7,201,353 B1	4/2007	Freeman	
D581,704 S	12/2008	Hwang	
D592,822 S *	5/2009	Boucher	D34/31
D639,077 S *	6/2011	DeBretton Gordon	D6/310
D662,344 S *	6/2012	Cook	D6/513
D668,464 S *	10/2012	Du	D6/353
D713,056 S *	9/2014	Gulick	D25/68
D719,382 S *	12/2014	Sanderson	D6/675.5
D730,087 S *	5/2015	Strater	D6/656.13

(Continued)

FOREIGN PATENT DOCUMENTS

DE 102010012347 11/2010

Primary Examiner — Caron D Veynar

Assistant Examiner — Mehri Bajoul

(74) *Attorney, Agent, or Firm* — Price Heneveld LLP

(57) **CLAIM**

The ornamental design for the podium, as shown and described herein.

DESCRIPTION

FIG. 1 is a top perspective view of a podium embodying the present invention;

FIG. 2 is a bottom perspective view of the podium;

FIG. 3 is side elevational view of the podium;

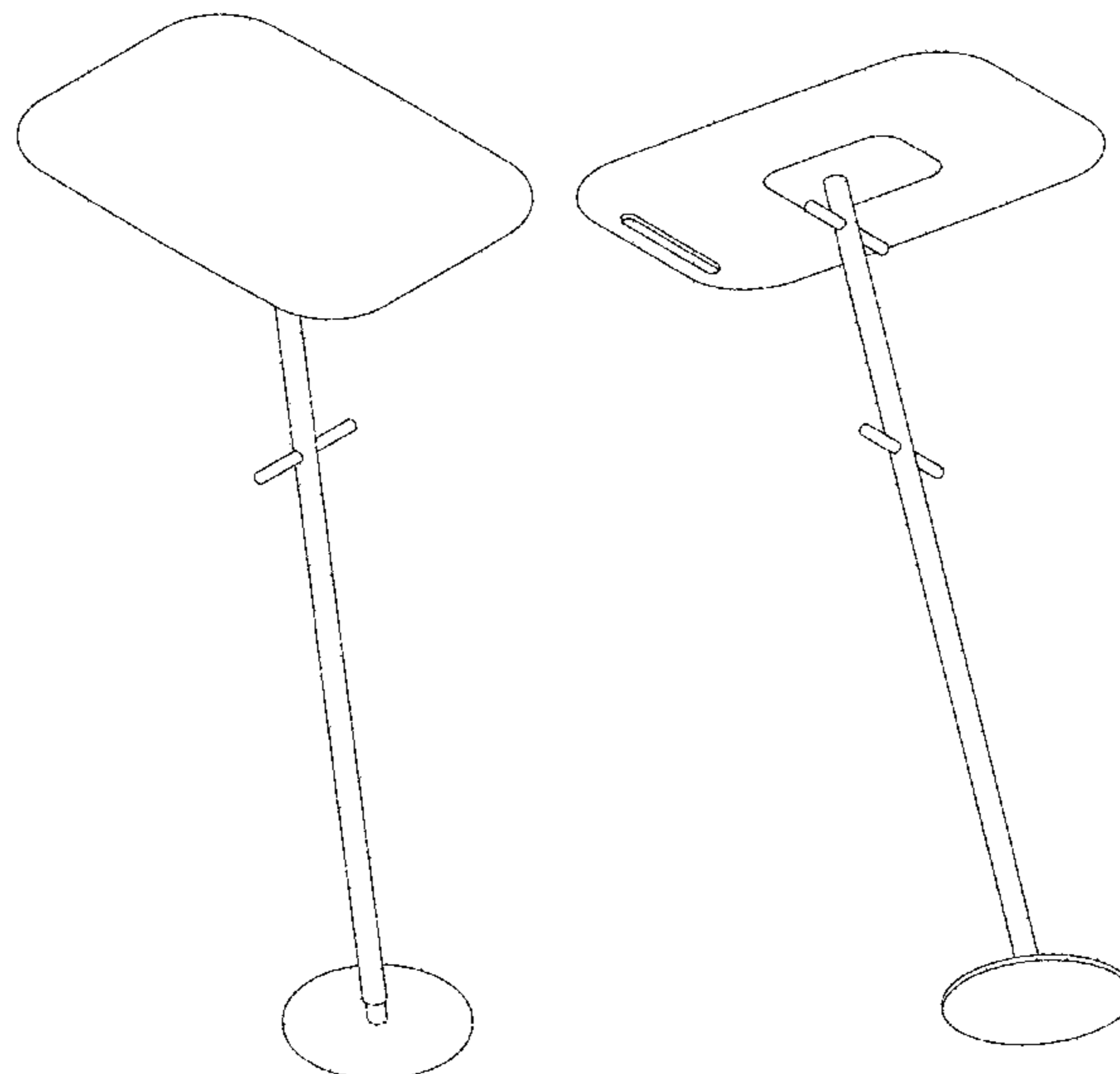
FIG. 4 is a front elevational view of the podium;

FIG. 5 is a rear elevational view of the podium;

FIG. 6 is a top plan view of the podium; and,

FIG. 7 is a bottom plan view of the podium.

1 Claim, 5 Drawing Sheets



(56)

References Cited

U.S. PATENT DOCUMENTS

2003/0042373 A1 3/2003 MacLeod
2012/0104191 A1 5/2012 Ye

* cited by examiner

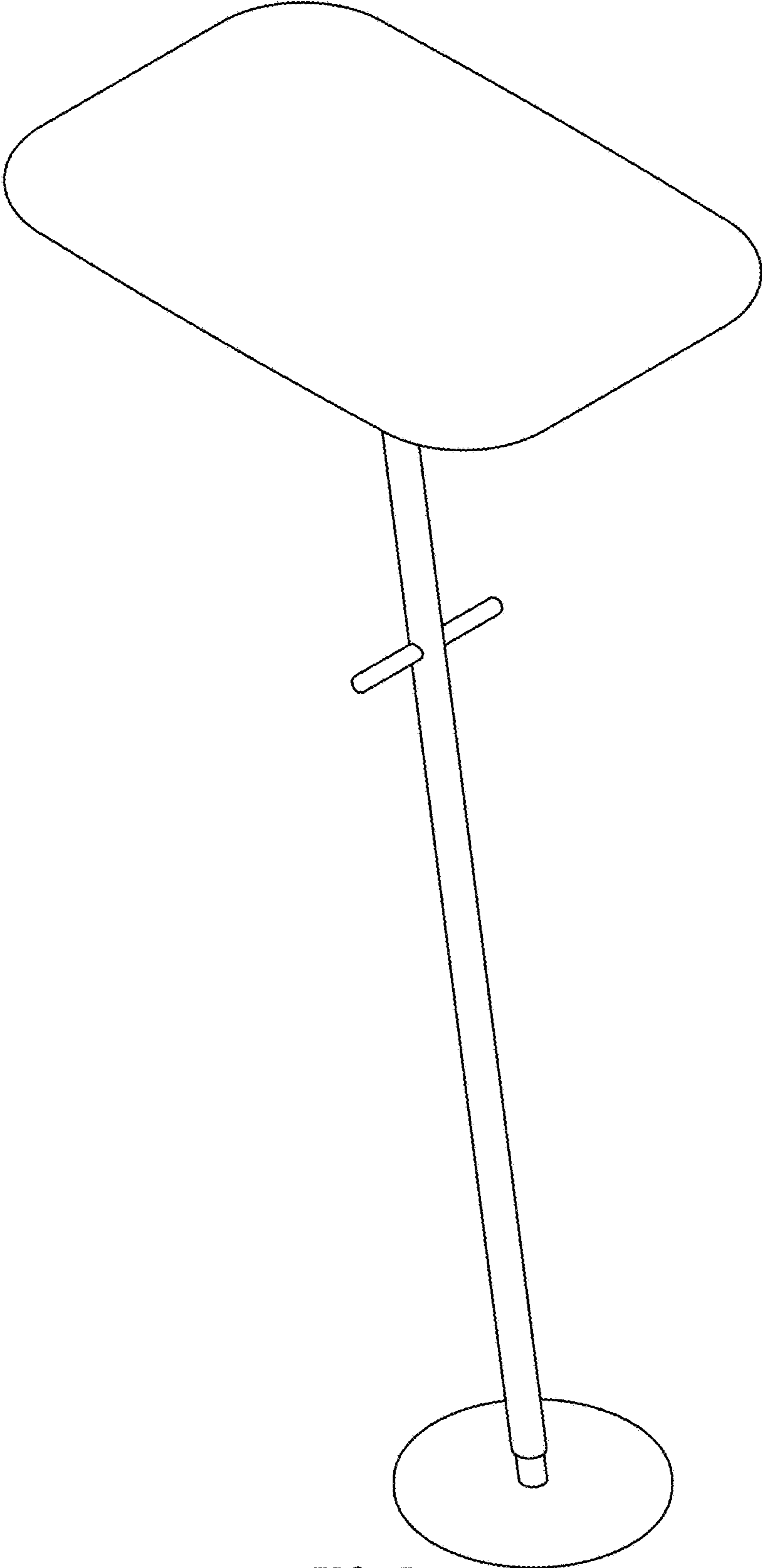


FIG. 1

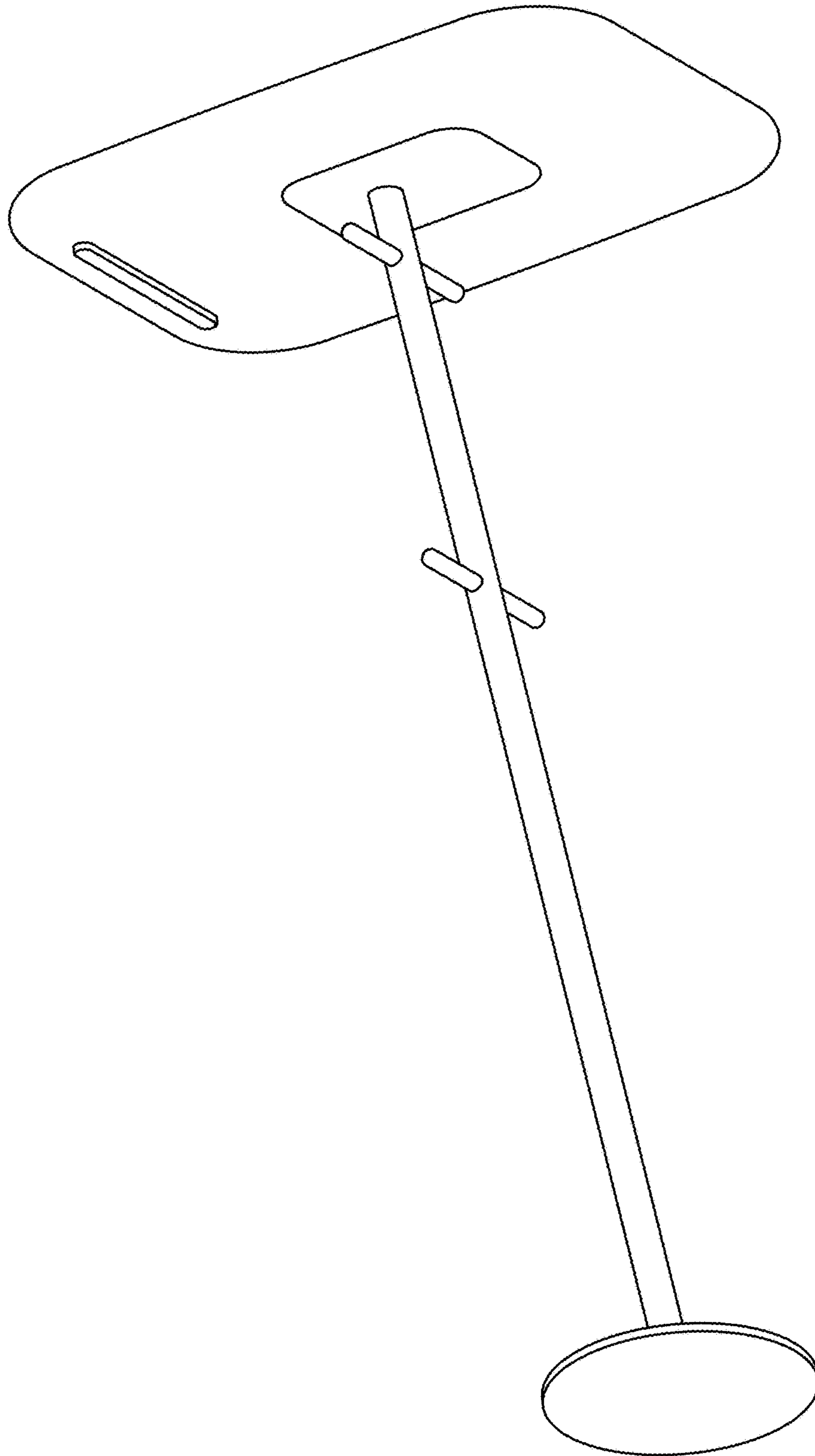


FIG. 2

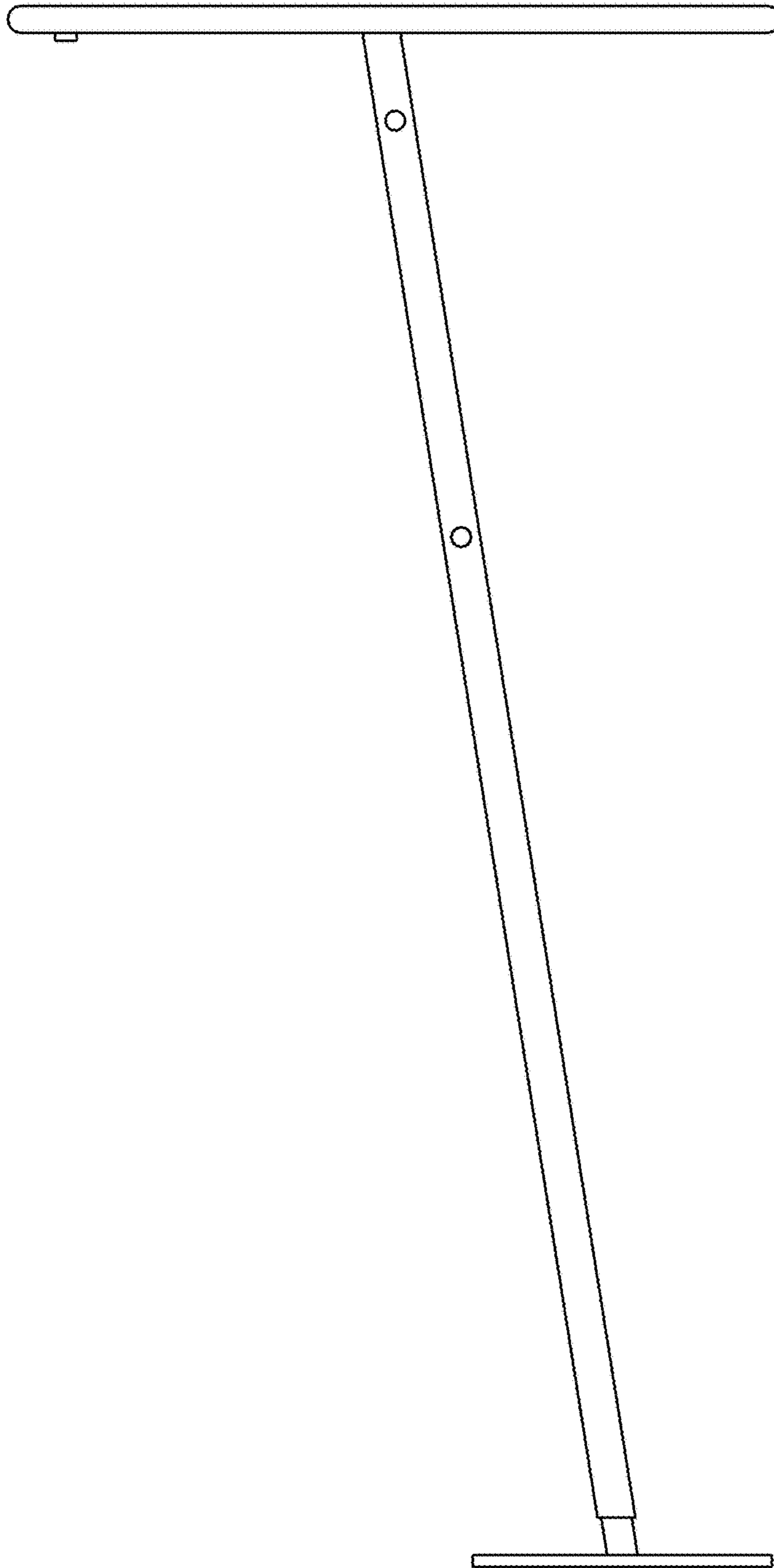


FIG. 3

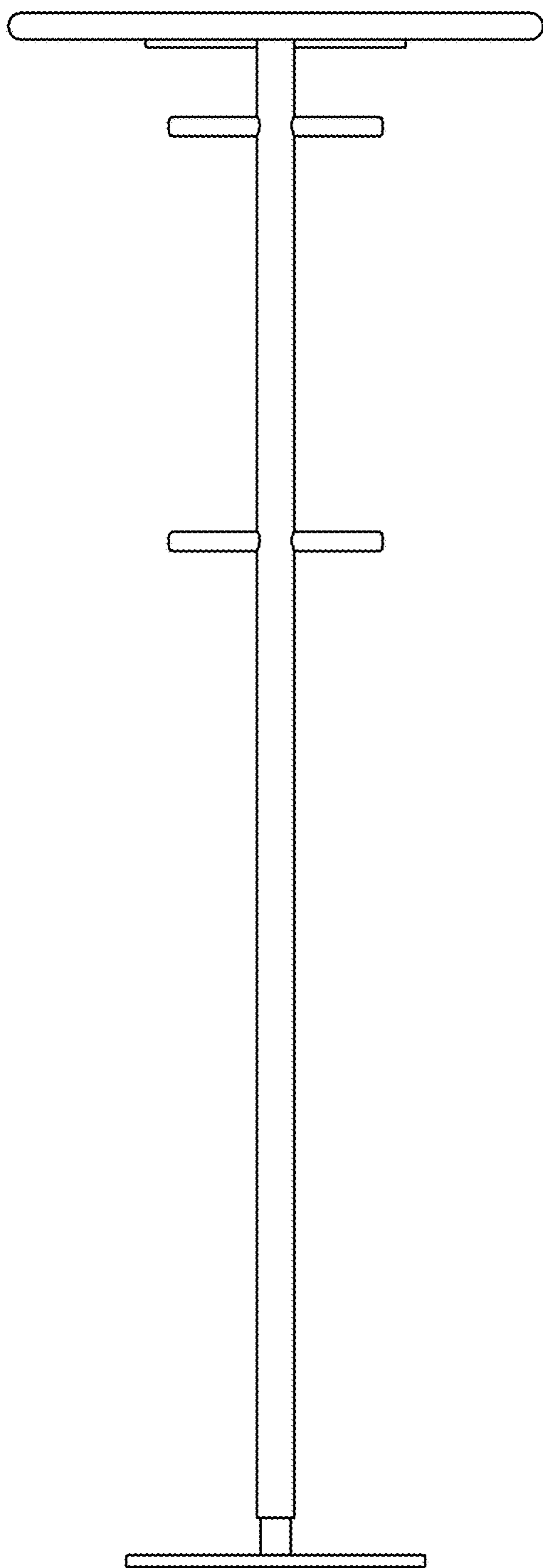


FIG. 4

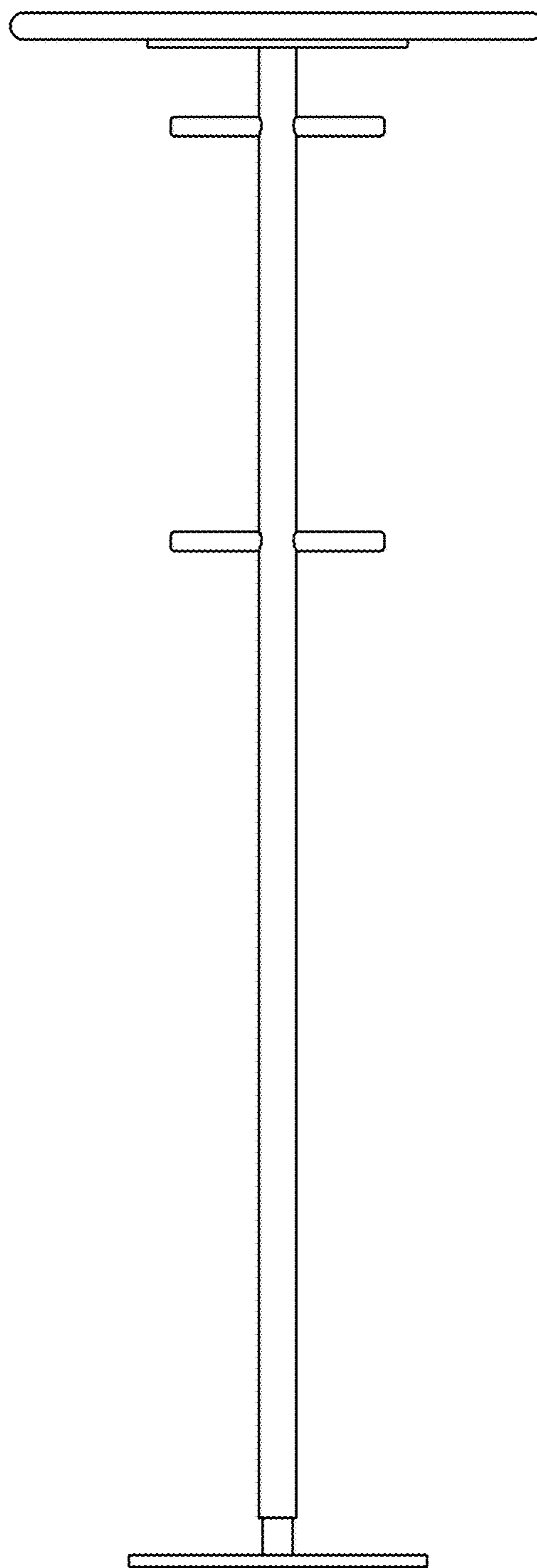


FIG. 5

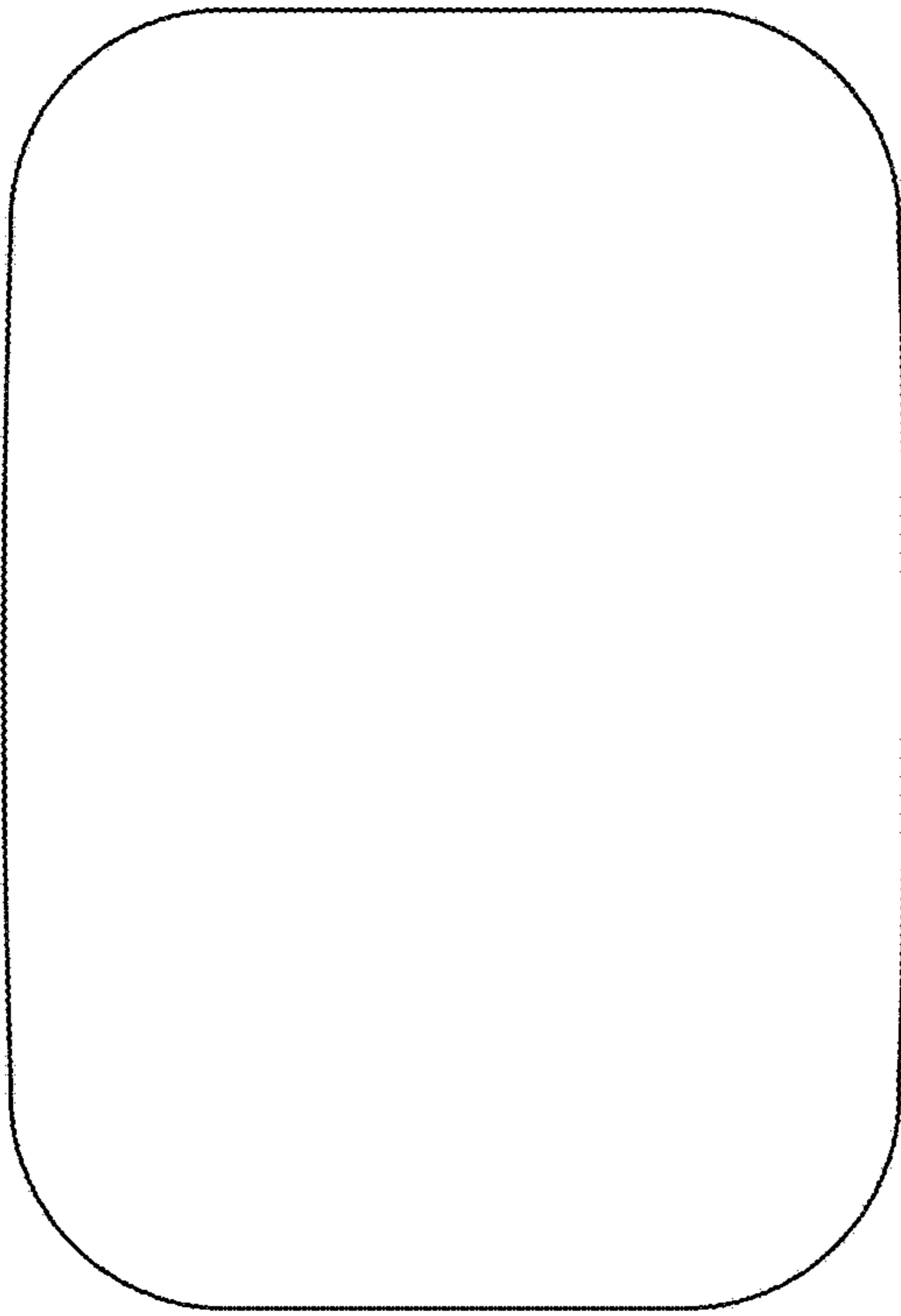


FIG. 6

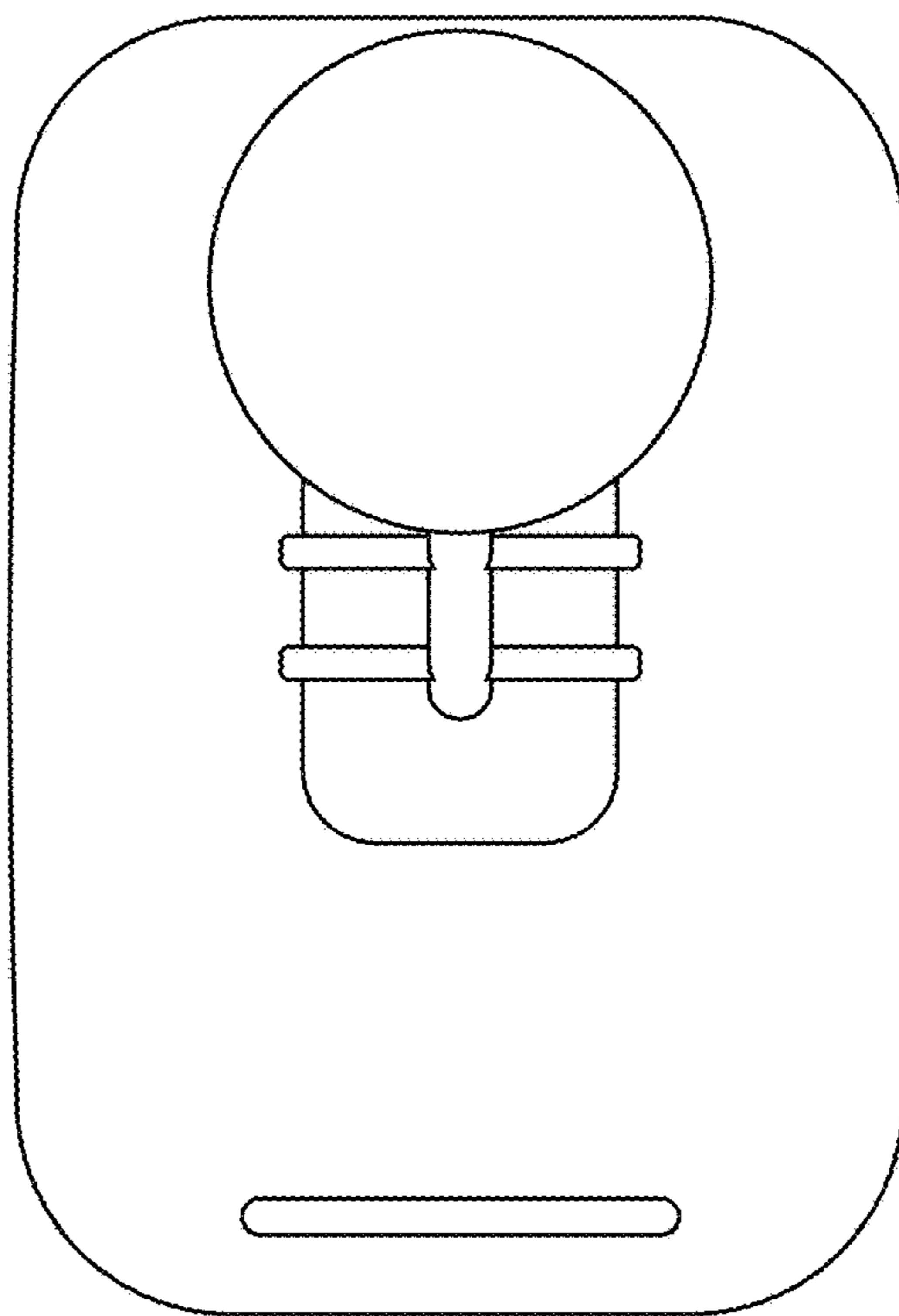


FIG. 7