

US00D794359S

(12) **United States Design Patent**  
**Yamamoto**

(10) **Patent No.:** **US D794,359 S**

(45) **Date of Patent:** **\*\* Aug. 15, 2017**

(54) **DESK**

(71) Applicant: **Okamura Corporation**, Yokohama-shi,  
Kanagawa (JP)

(72) Inventor: **Takayuki Yamamoto**, Yokohama (JP)

(73) Assignee: **Okamura Corporation**, Kanagawa (JP)

(\*\*) Term: **15 Years**

(21) Appl. No.: **29/560,684**

(22) Filed: **Apr. 8, 2016**

(30) **Foreign Application Priority Data**

Oct. 29, 2015 (JP) ..... 2015-024146

(51) **LOC (10) Cl.** ..... **06-03**

(52) **U.S. Cl.**  
USPC ..... **D6/656**

(58) **Field of Classification Search**  
USPC ..... D6/641, 656, 698, 708, 656.16, 656.17;  
D14/356, 347, 126, 362, 371  
CPC .. A47C 3/30; A47C 7/402; E05D 7/04; A47B  
1/00; A47B 1/08; A47B 9/00; A47B  
13/02; A47B 13/08; A47B 2200/0001;  
A47B 21/00; A47B 7/00; A47B 7/02;  
A47B 17/02; A47B 2200/0056; A47B  
9/10; A47B 9/20

See application file for complete search history.

(56) **References Cited**

**U.S. PATENT DOCUMENTS**

D263,139 S \* 2/1982 Petrie ..... D14/162  
D317,608 S \* 6/1991 Emmerling ..... D14/163  
5,214,548 A \* 5/1993 Nakanishi ..... G11B 23/08735  
360/96.51  
D532,390 S \* 11/2006 Knoedler-Bunte ..... D14/126  
D571,747 S \* 6/2008 Chu ..... D14/126

D610,625 S \* 2/2010 Guinchard ..... D21/333  
D637,601 S \* 5/2011 Symons ..... D14/447  
D648,722 S \* 11/2011 Meyerhoffer ..... D14/341  
D684,193 S \* 6/2013 Maier ..... D14/496  
D697,941 S \* 1/2014 Zhang ..... D14/496  
D716,049 S \* 10/2014 Fair ..... D3/303  
D742,880 S \* 11/2015 Linnemann ..... D14/432  
D743,333 S \* 11/2015 Nomi ..... D13/108  
D743,886 S \* 11/2015 Nomi ..... D13/108  
D760,834 S \* 7/2016 Takahashi ..... D18/19

(Continued)

*Primary Examiner* — Rosemary K Tarcza

*Assistant Examiner* — Alison Ofstun

(74) *Attorney, Agent, or Firm* — Sughrue Mion, PLLC

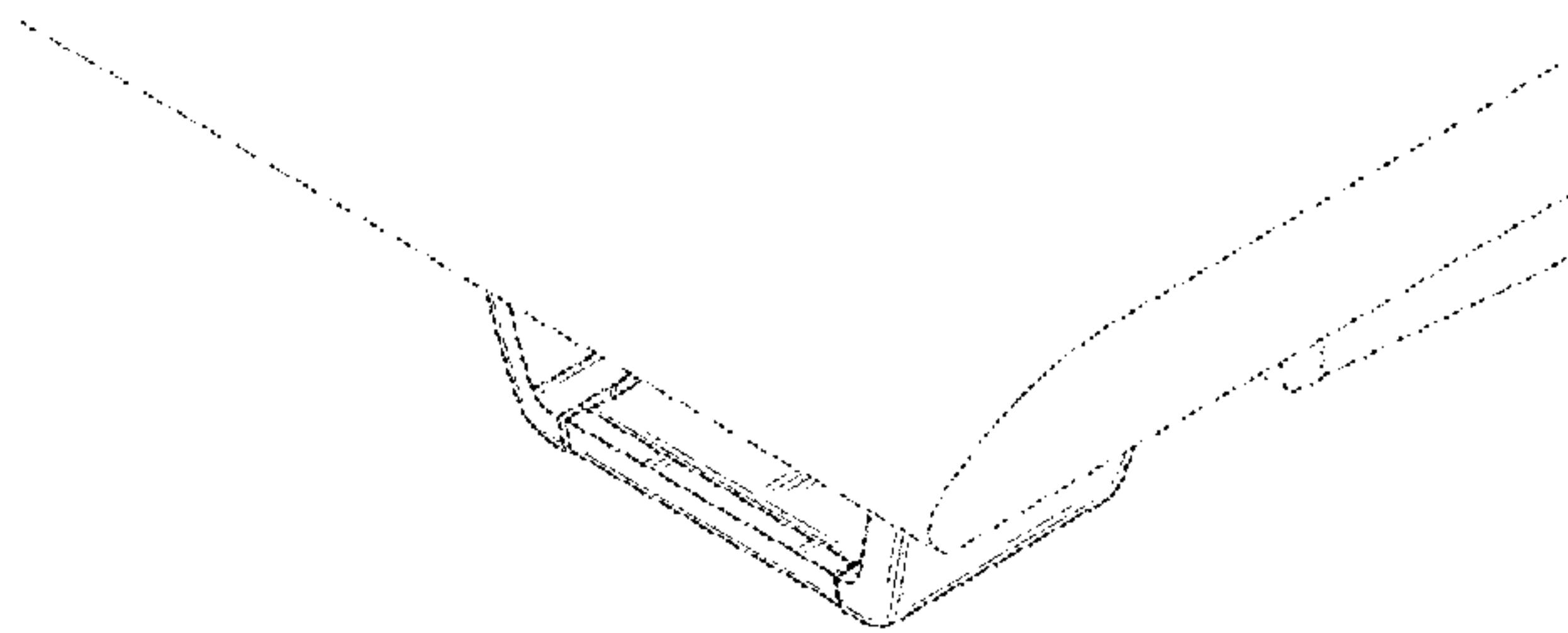
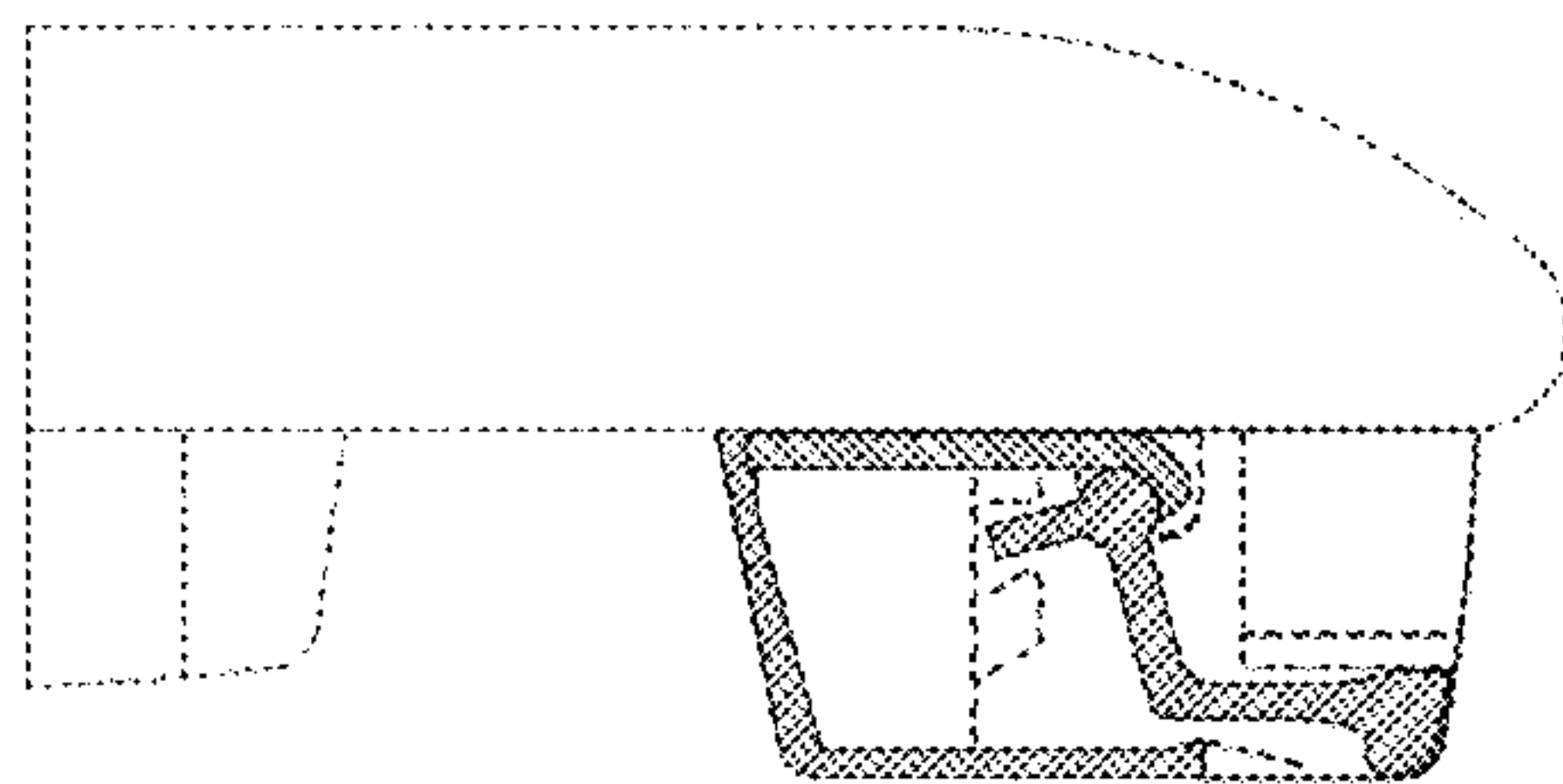
(57) **CLAIM**

The ornamental design for a desk, as shown and described.

**DESCRIPTION**

FIG. 1 is a perspective view of a desk.  
FIG. 2 is a front elevation view thereof.  
FIG. 3 is a rear elevation view thereof.  
FIG. 4 is a right side elevation view thereof. A left side elevation view is a mirror image of the right side elevation view.  
FIG. 5 is a top plan view thereof.  
FIG. 6 is a bottom plan view thereof.  
FIG. 7 is a cross-sectional view taken along the line 7-7 in FIG. 2.  
FIG. 8 is an enlarged view of the portion 8-8' in FIG. 7.  
FIG. 9 is a cross-sectional view taken along the line 9-9 in FIG. 8.  
FIG. 10 is a perspective view shown in an enlarged fragmentary view for ease of illustration; and,  
FIG. 11 is a perspective view of a desk, with the environment shown in an alternate position.  
The broken lines shown in the drawings illustrate portions of the desk that form no part of the claimed design.

**1 Claim, 11 Drawing Sheets**



(56)

**References Cited**

U.S. PATENT DOCUMENTS

D766,820 S *	9/2016	Geier .....	D13/103
2009/0078171 A1 *	3/2009	Frost .....	A47B 13/00
			108/50.02

\* cited by examiner

FIG. 1

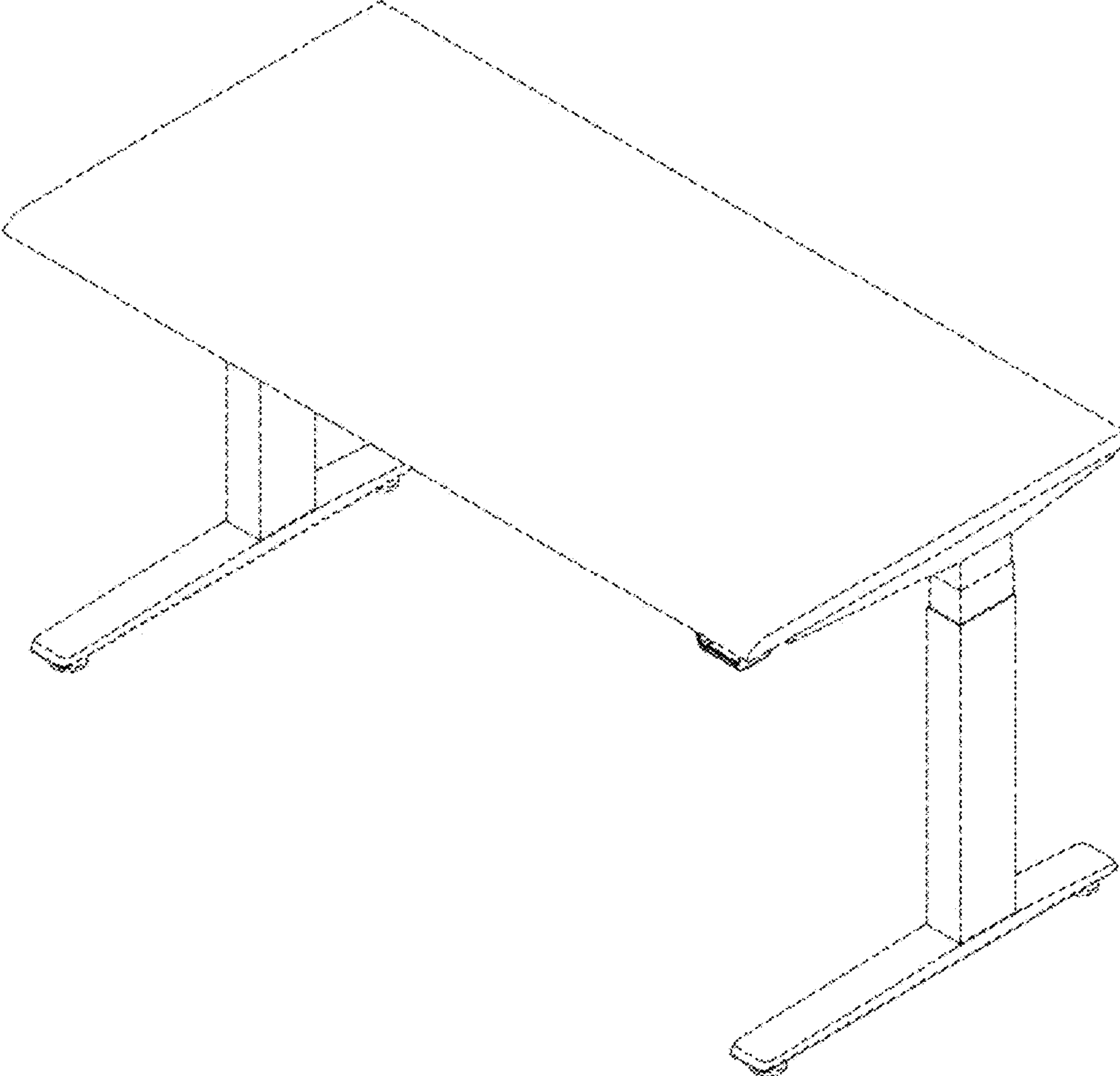


FIG. 2



FIG. 3

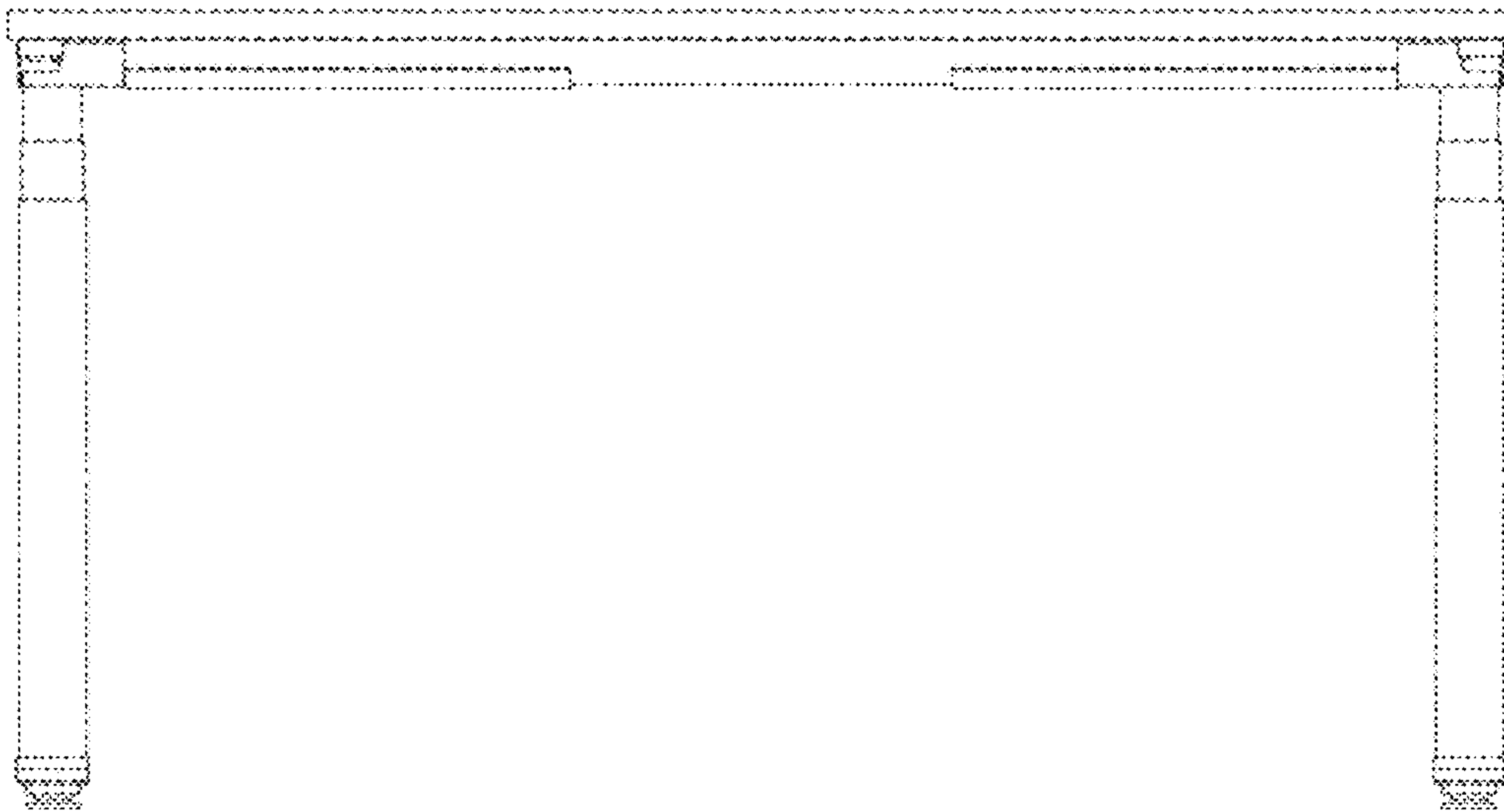


FIG. 4

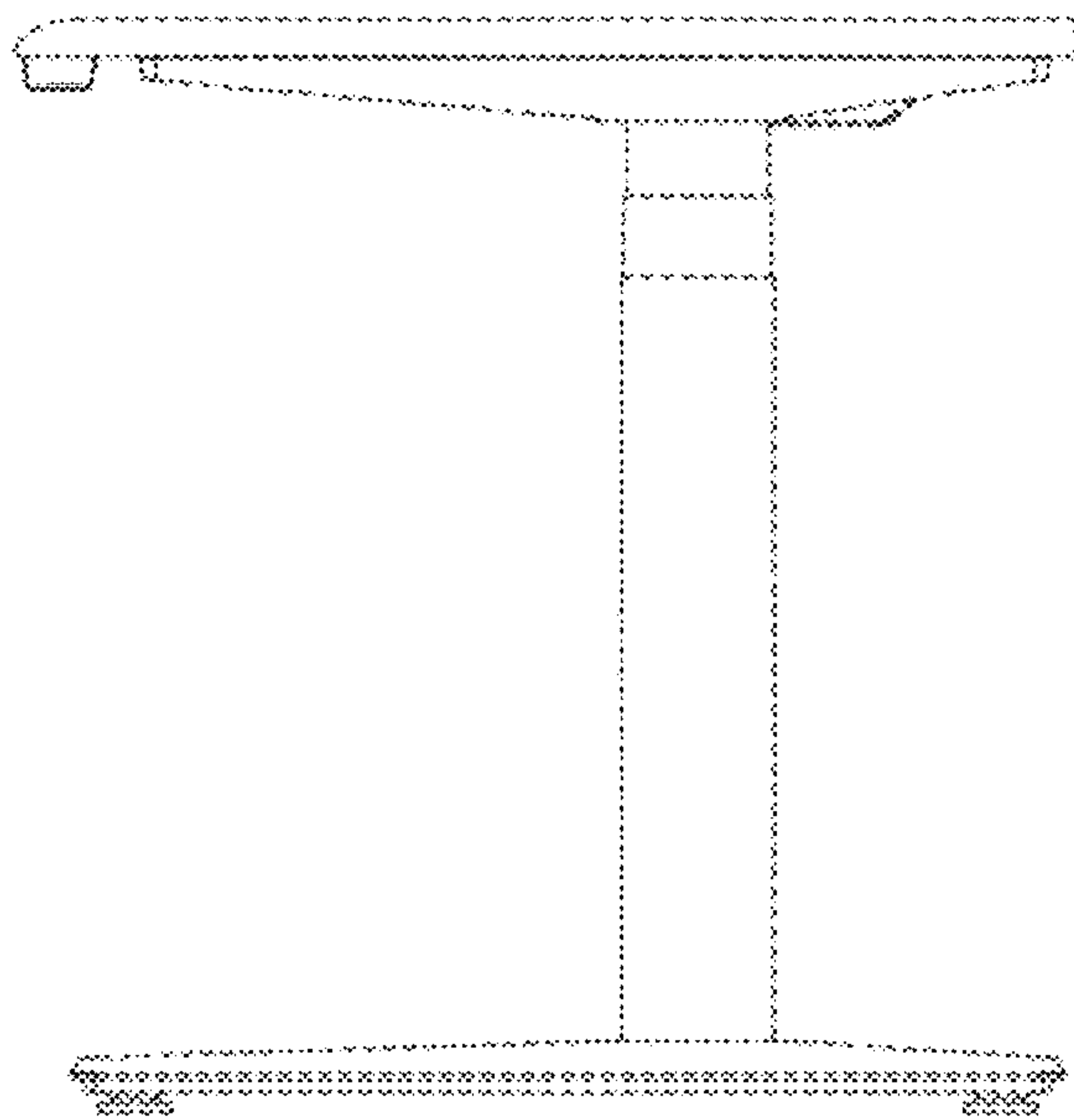


FIG. 5



FIG. 6

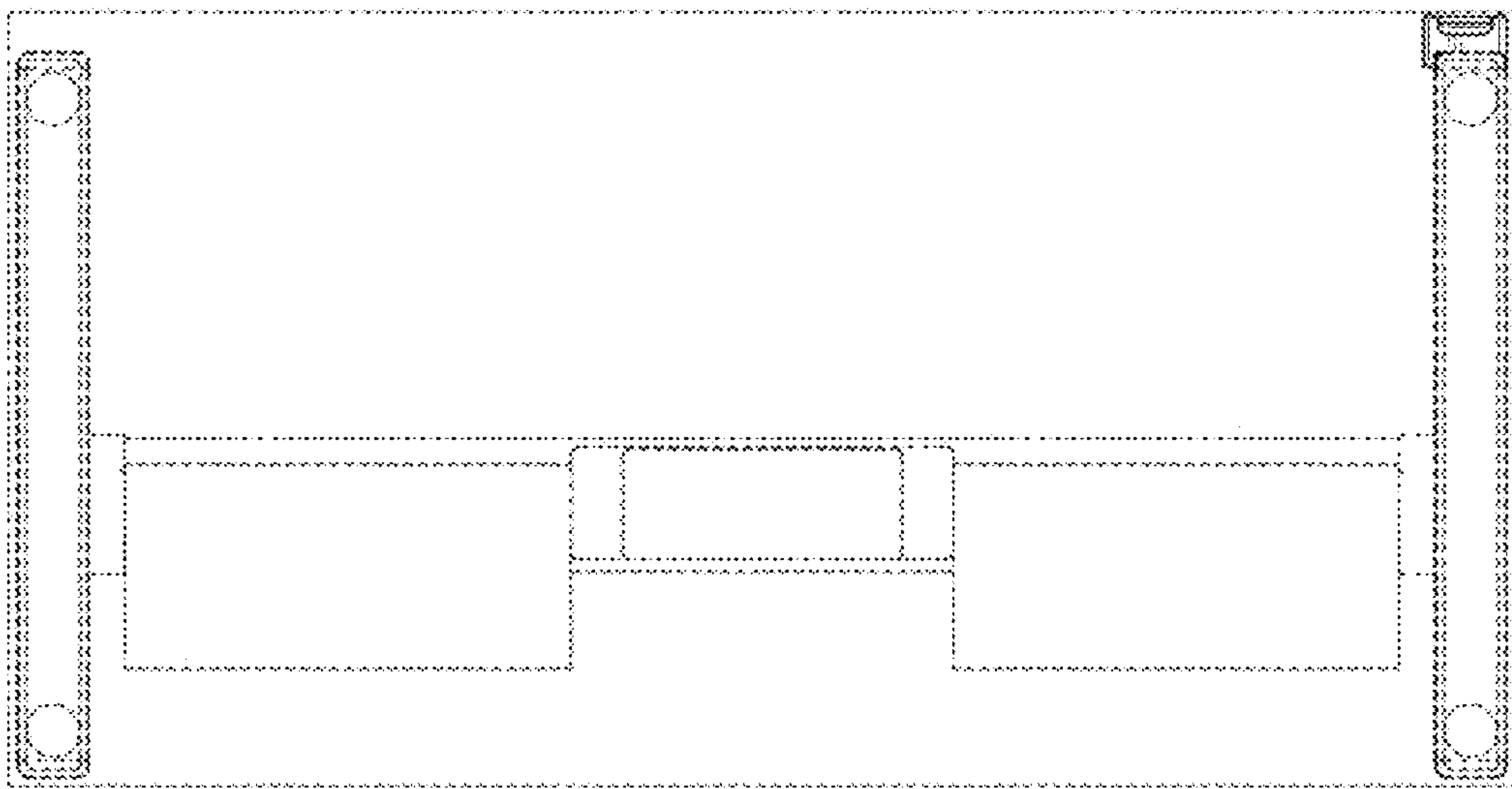




FIG. 7

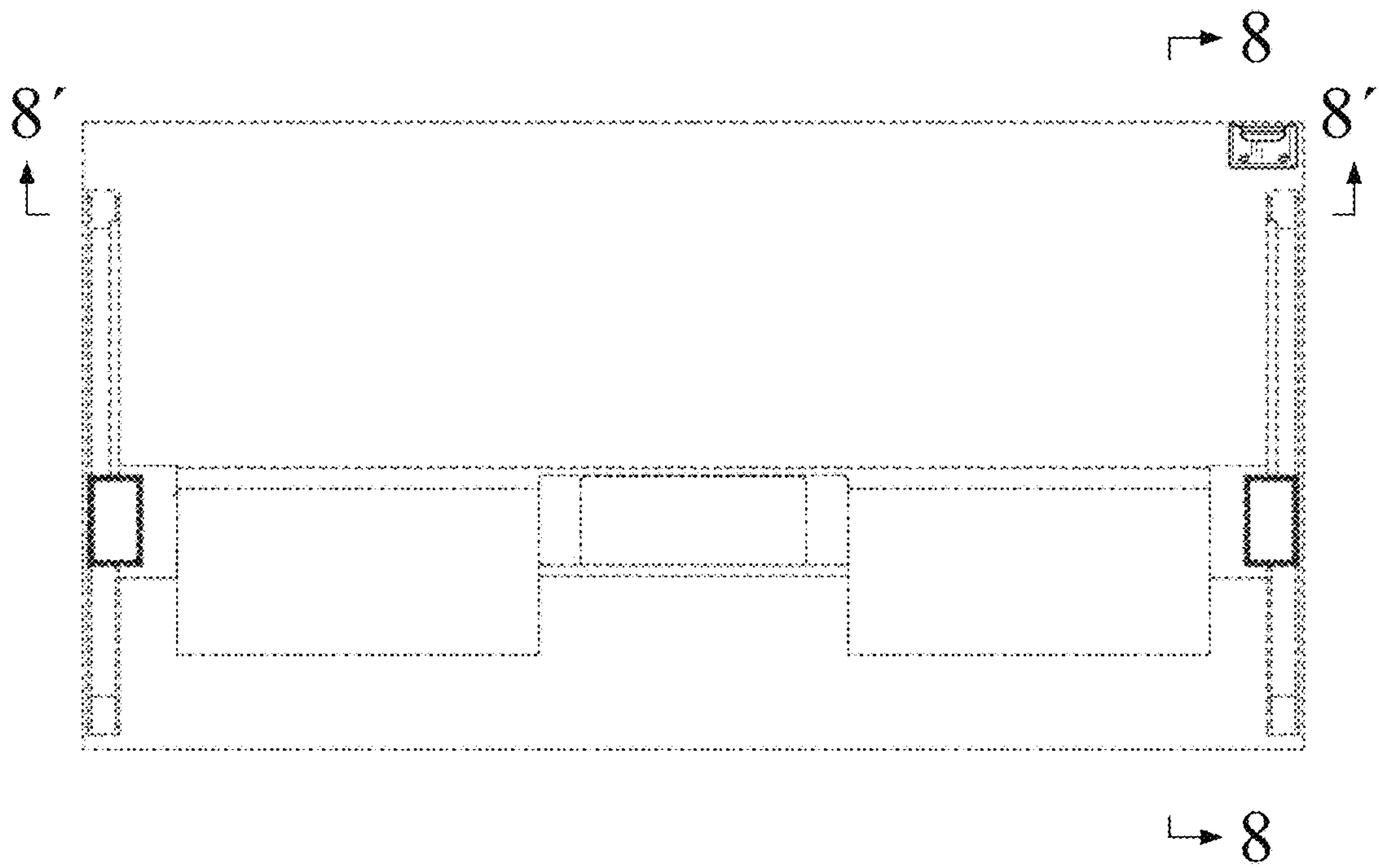


FIG. 8

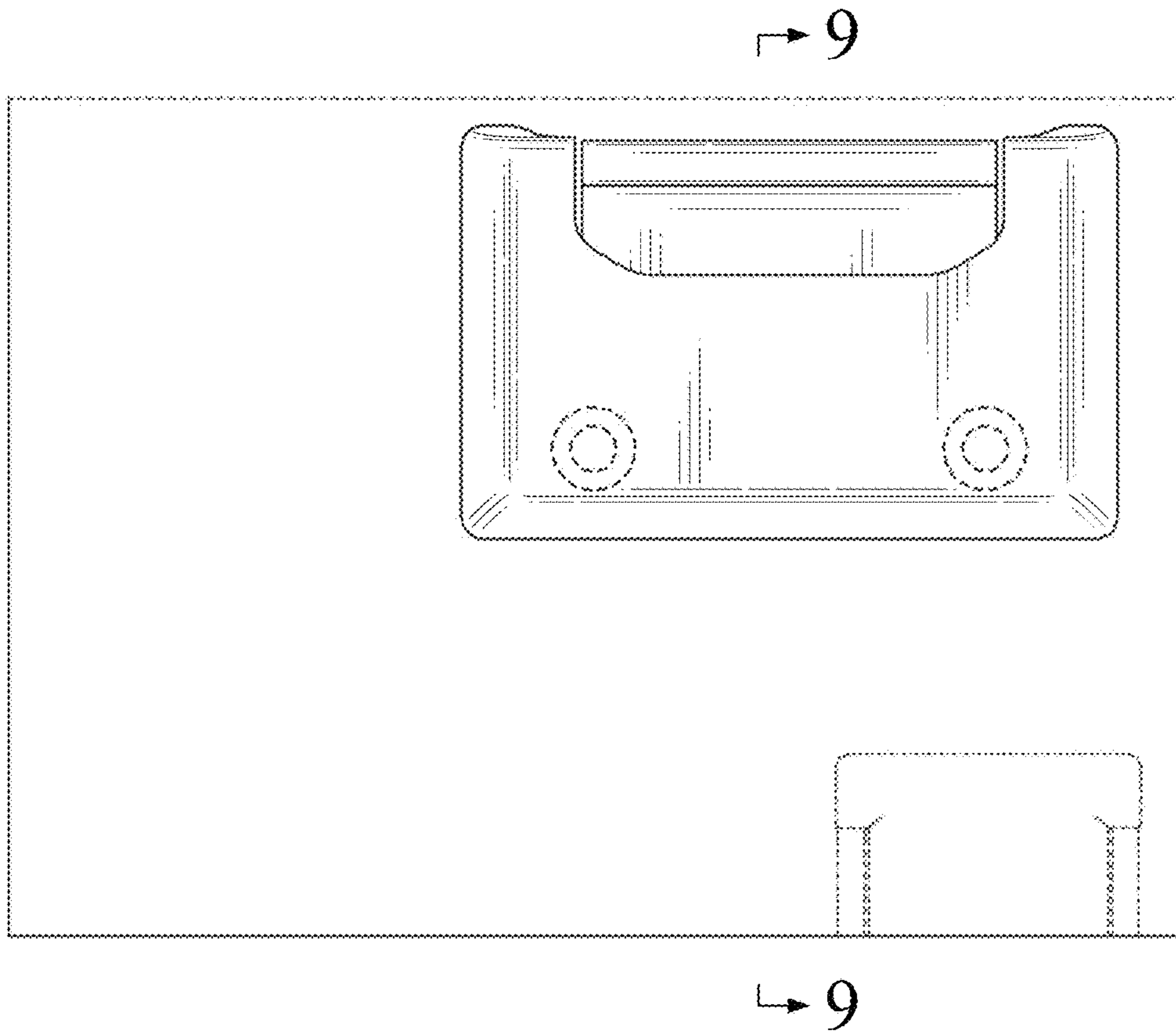


FIG. 9

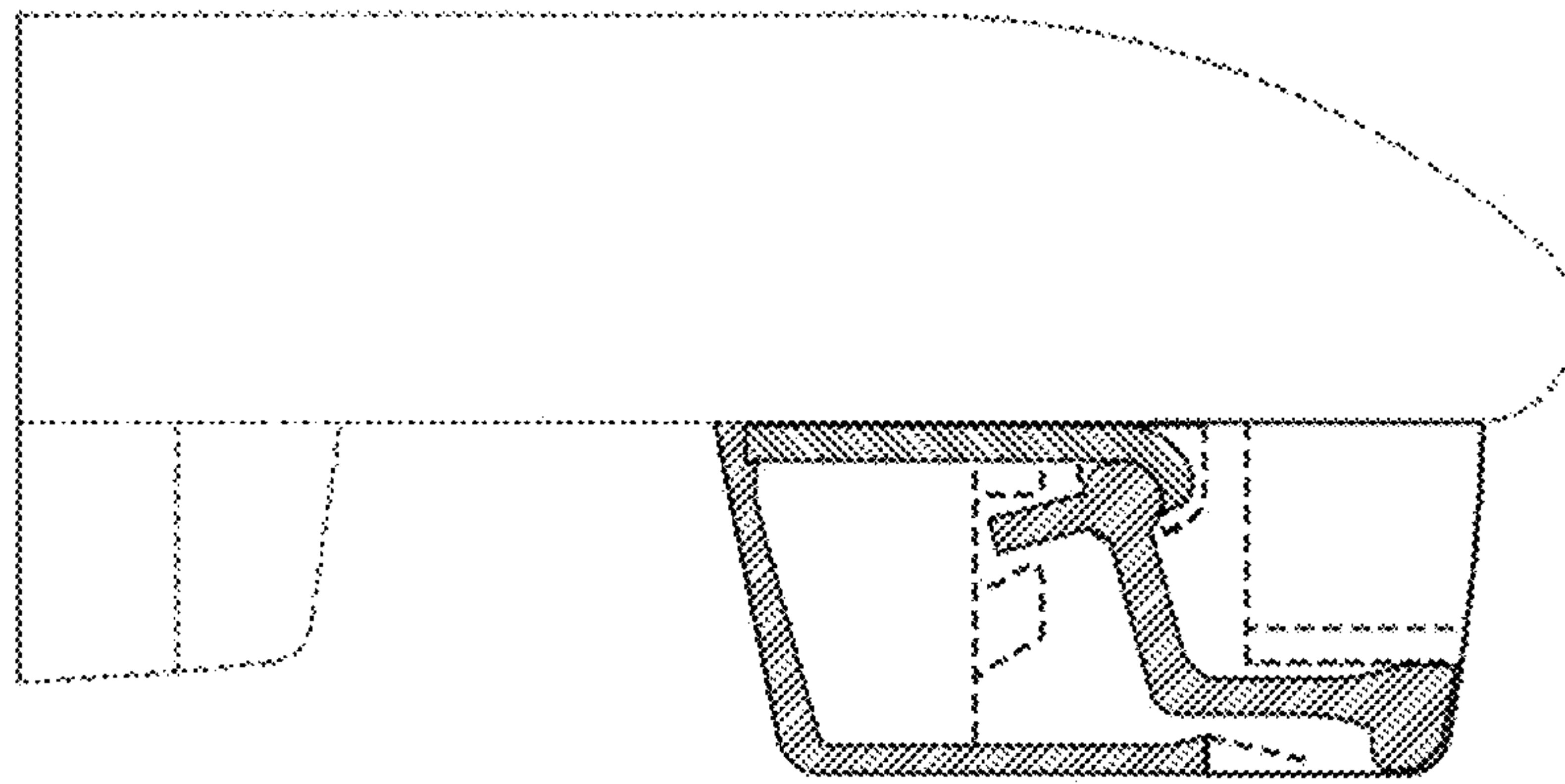


FIG. 10

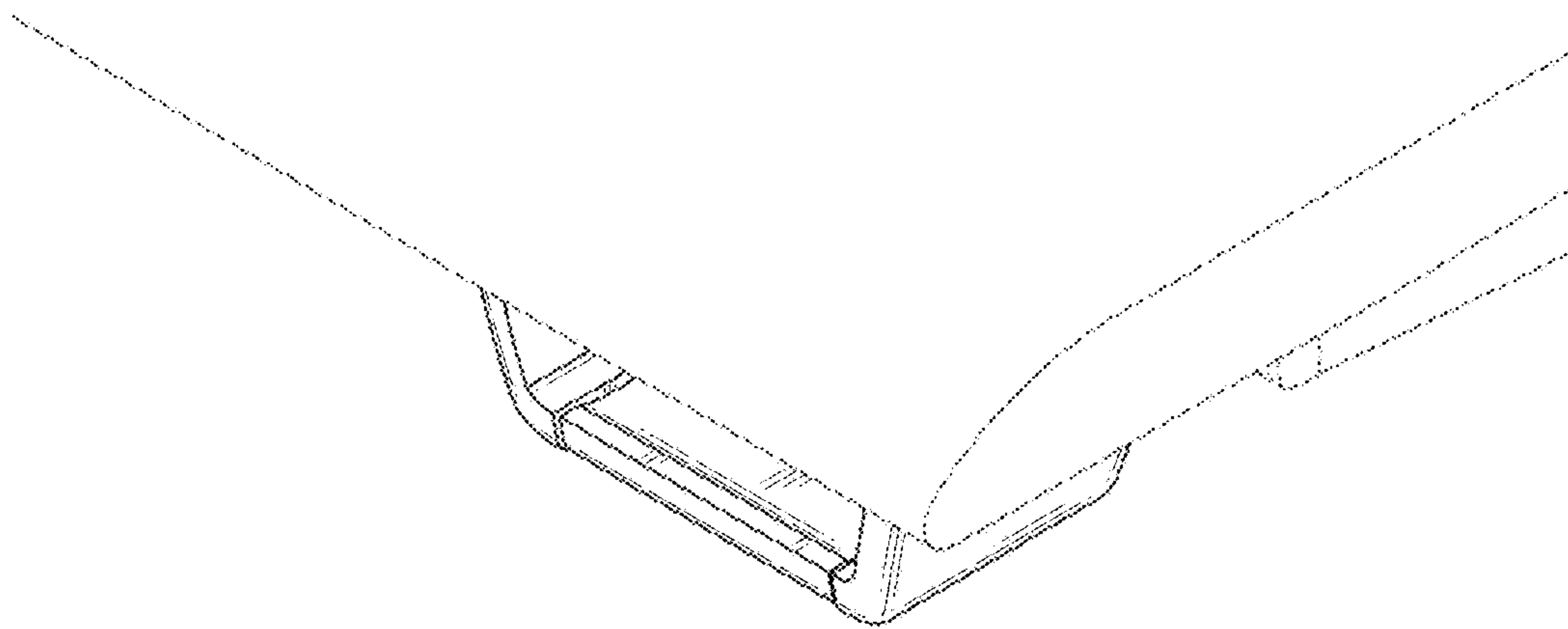


FIG. 11

