



US00D794358S

(12) **United States Design Patent** (10) **Patent No.:** **US D794,358 S**  
**Yamamoto** (45) **Date of Patent:** **\*\* Aug. 15, 2017**

(54) **DESK**  
(71) Applicant: **Okamura Corporation**, Yokohama-shi,  
Kanagawa (JP)  
(72) Inventor: **Takayuki Yamamoto**, Yokohama (JP)  
(73) Assignee: **Okamura Corporation**, Kanagawa (JP)  
(\*\*) Term: **15 Years**  
(21) Appl. No.: **29/560,670**  
(22) Filed: **Apr. 8, 2016**

(30) **Foreign Application Priority Data**

Oct. 19, 2015 (JP) ..... 2015-023012  
(51) **LOC (10) Cl.** ..... **06-03**  
(52) **U.S. Cl.**  
USPC ..... **D6/656**  
(58) **Field of Classification Search**  
USPC ..... D6/641, 656, 698, 708, 656.13, 656.17  
CPC ..... A47B 9/12; A47B 21/00; A47B 21/02;  
A47B 41/00; A47B 41/02; A47B 13/08;  
A47B 2200/0001; A47B 7/00; A47B  
7/02; A47B 9/00; A47B 13/02; A47B  
9/20

See application file for complete search history.

(56) **References Cited**

**U.S. PATENT DOCUMENTS**

D208,709 S \* 9/1967 Barecki ..... D16/232  
D311,833 S \* 11/1990 Newhouse ..... D6/656.16  
D334,103 S \* 3/1993 Koguma ..... D6/656.16  
D336,393 S \* 6/1993 Saotome ..... D6/656.17  
D339,481 S \* 9/1993 Stephens ..... D6/650  
5,337,657 A \* 8/1994 Diffrient ..... A47B 3/00  
108/115  
D372,812 S \* 8/1996 Graziano ..... D6/656.16  
D390,382 S \* 2/1998 Schwartz ..... D6/649

5,931,488 A \* 8/1999 Graziano ..... A47B 13/00  
108/127  
6,647,900 B1 \* 11/2003 Kopish ..... A47B 21/06  
108/115  
D536,193 S \* 2/2007 Sapp ..... D14/305  
D716,074 S \* 10/2014 Kitajima ..... D6/654.21  
D731,821 S \* 6/2015 Hosoya ..... D6/650  
2002/0145088 A1 \* 10/2002 Santoro ..... A47B 9/04  
248/188.2  
2015/0120238 A1 \* 4/2015 Marvit ..... A47B 9/00  
702/152  
2016/0260019 A1 \* 9/2016 Riquelme Ruiz .... A47B 21/007

\* cited by examiner

*Primary Examiner* — Rosemary K Tarcza

*Assistant Examiner* — Alison Ofstun

(74) *Attorney, Agent, or Firm* — Sughrue Mion, PLLC

(57) **CLAIM**

The ornamental design for a desk, as shown and described.

**DESCRIPTION**

FIG. 1 is a perspective view of a desk.  
FIG. 2 is a front elevation view thereof.  
FIG. 3 is a rear elevation view thereof.  
FIG. 4 is a right side elevation view thereof. A left side elevation view is a mirror image of the right side elevation view.  
FIG. 5 is a top plan view thereof.  
FIG. 6 is a bottom plan view thereof.  
FIG. 7 is a cross-sectional view taken along the line 7-7 in FIG. 2.  
FIG. 8 is a cross-sectional view taken along the line 8-8 in FIG. 2; and,  
FIG. 9 is a perspective view of the desk shown in an alternate position.  
The broken lines shown in the drawings are included for the purpose of illustrating unclaimed portions of the desk, and form no part of the claimed design.

**1 Claim, 9 Drawing Sheets**

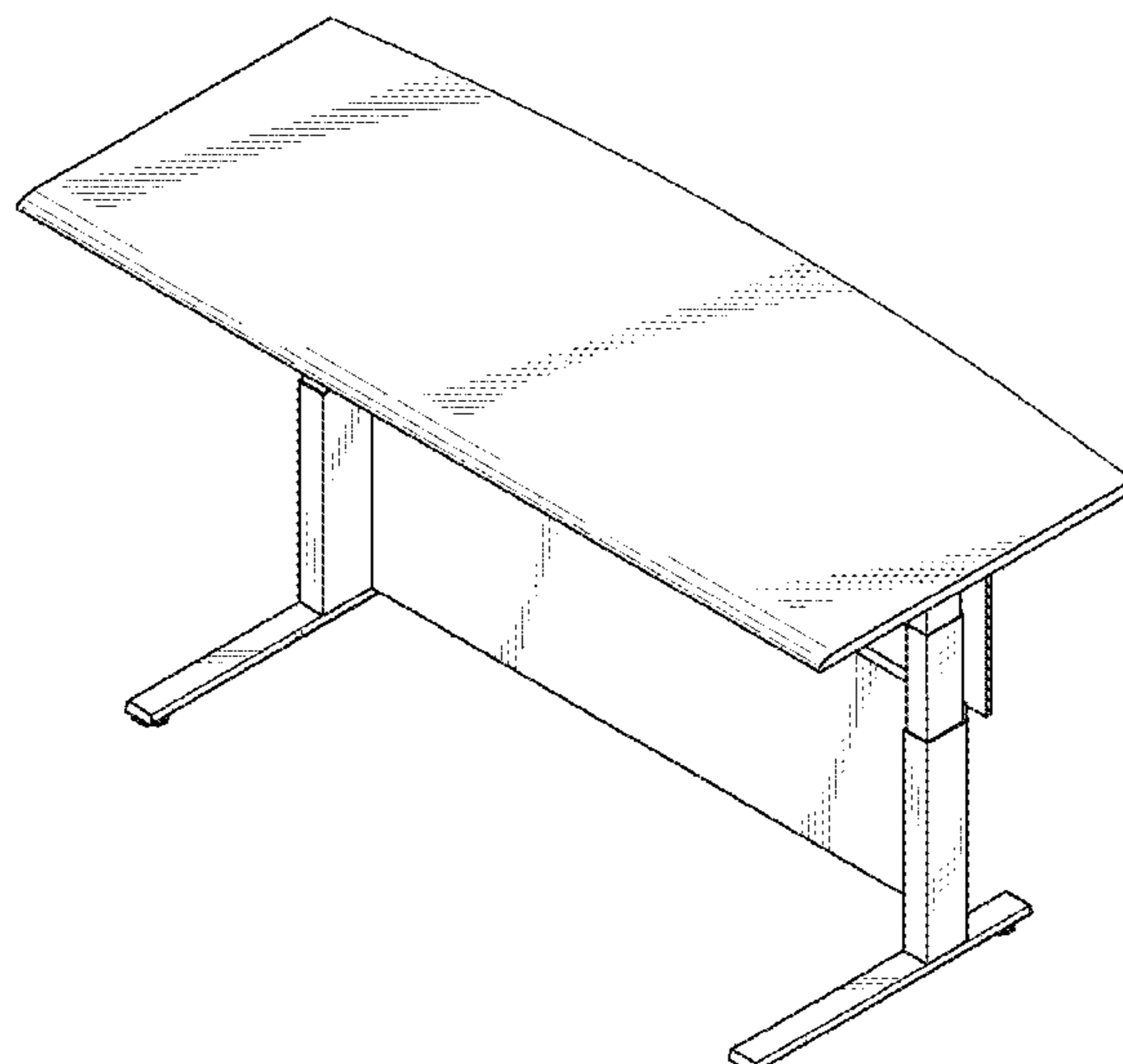


FIG. 1

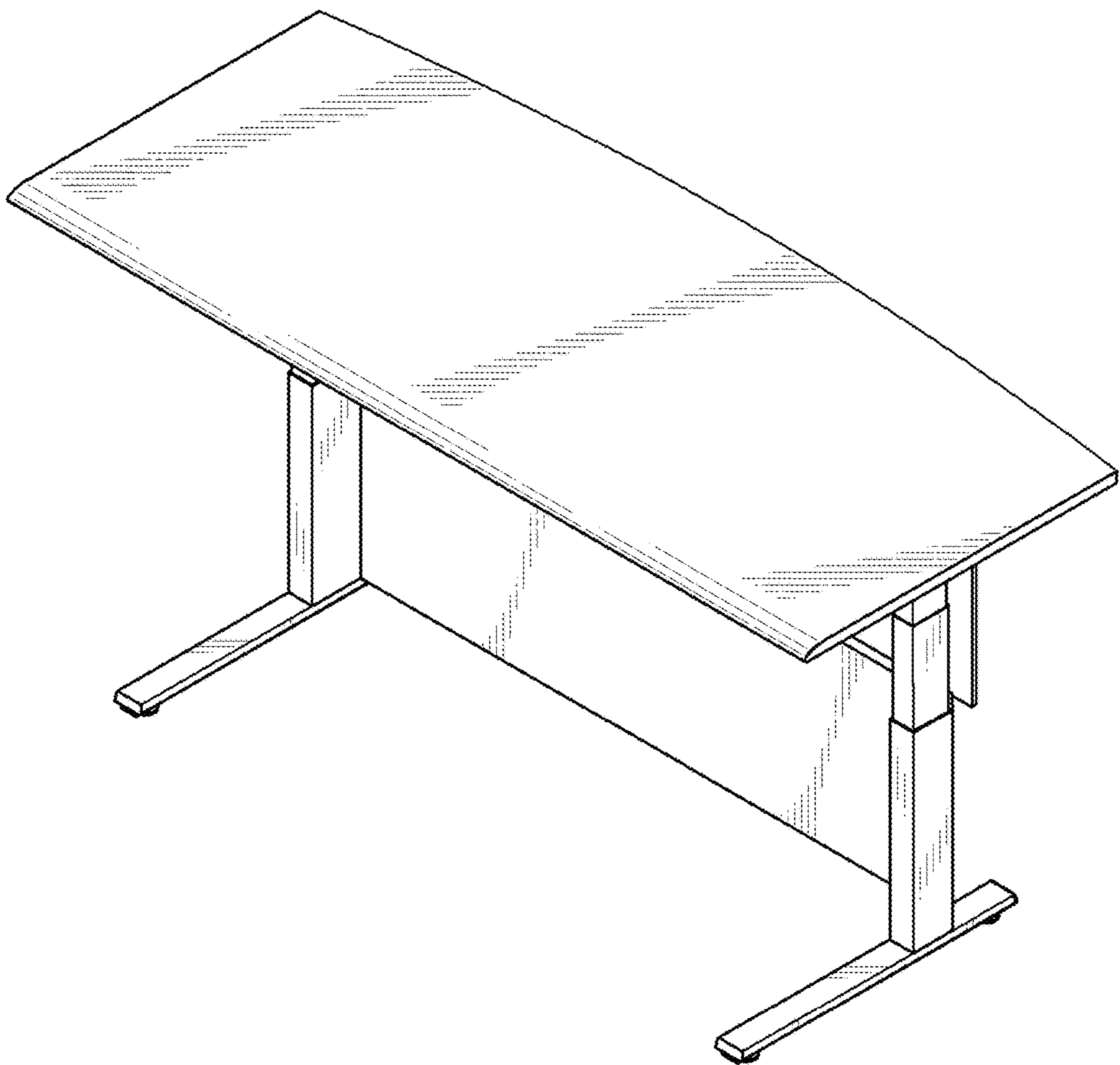


FIG. 2

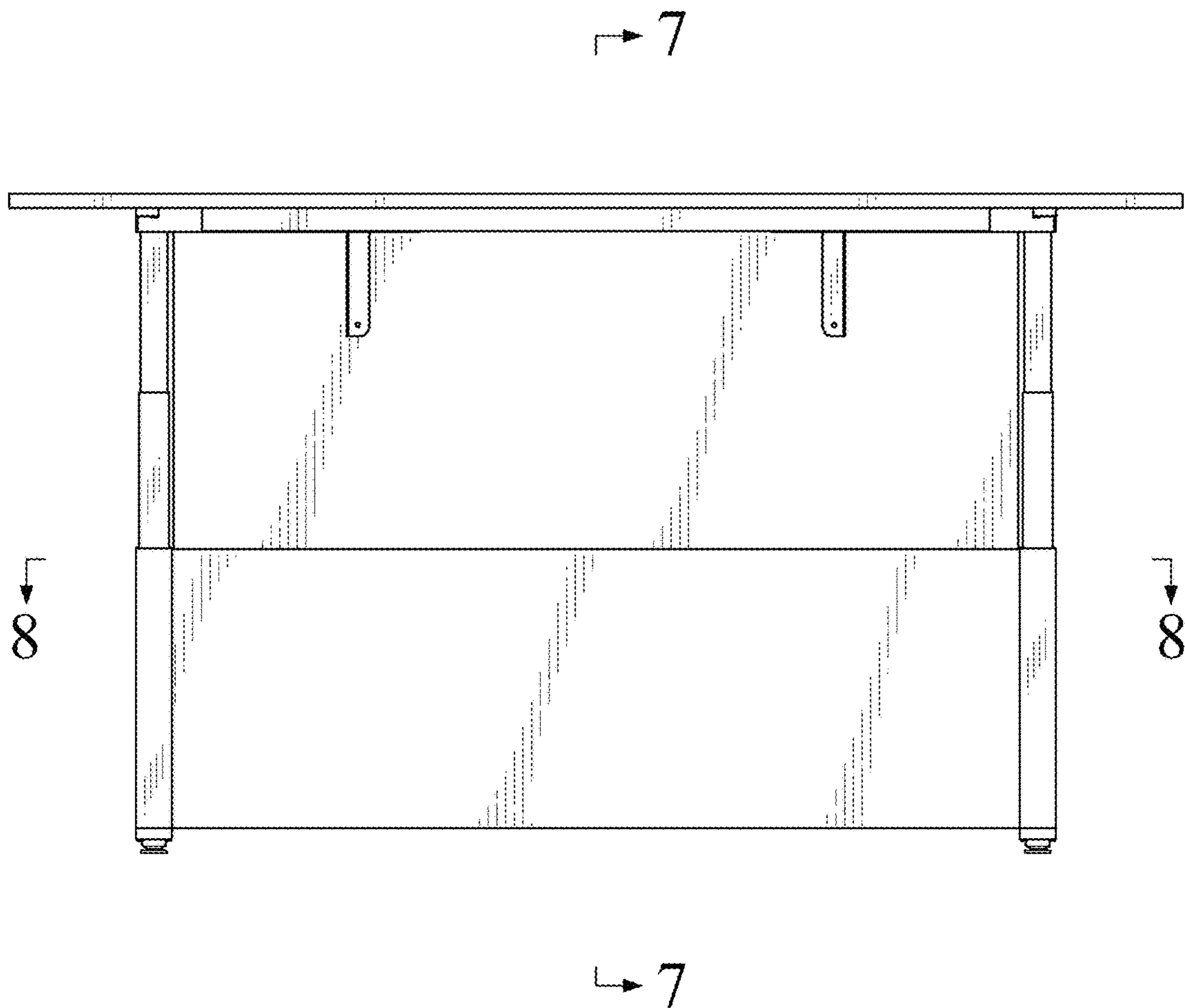


FIG. 3

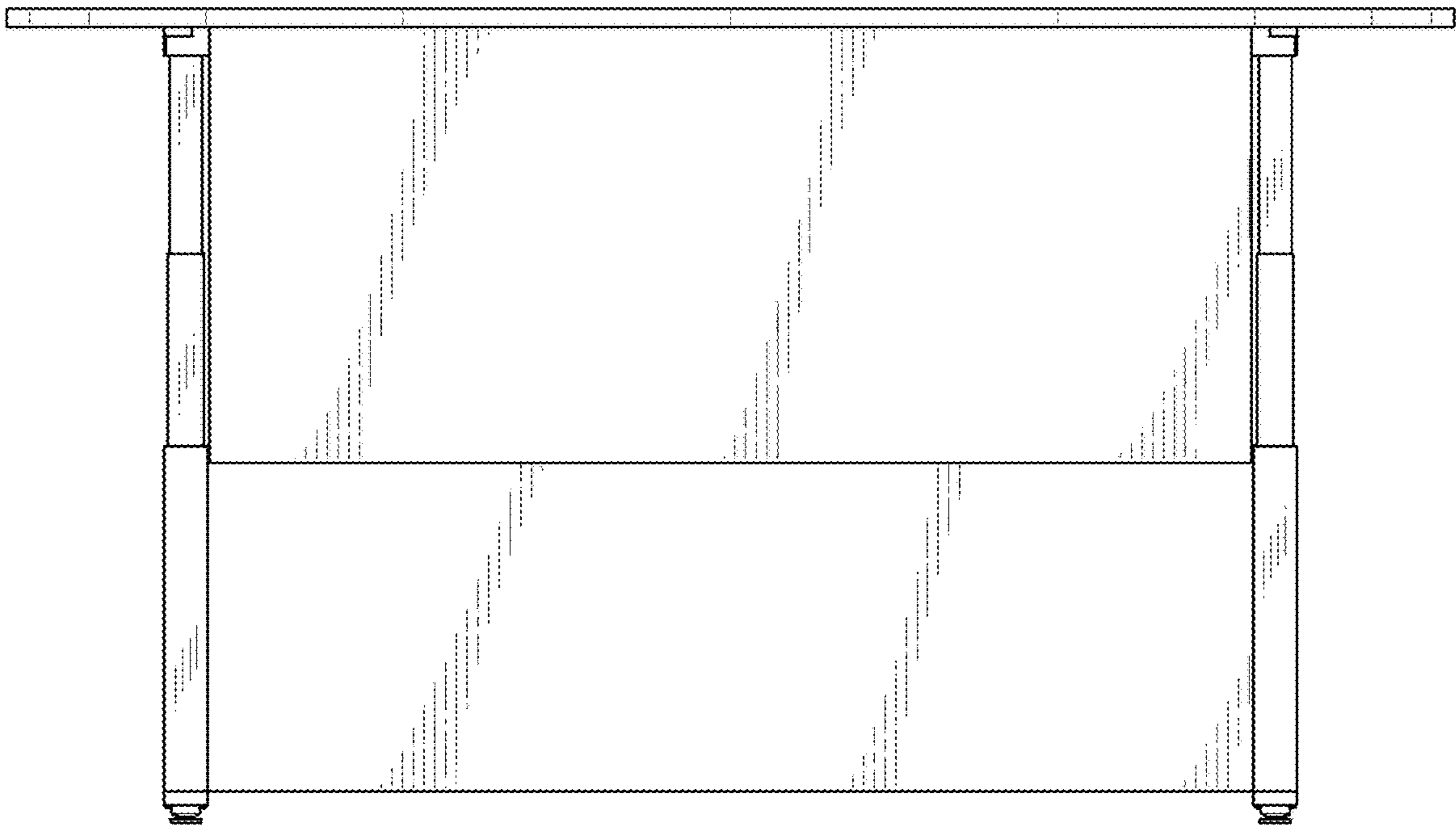


FIG. 4

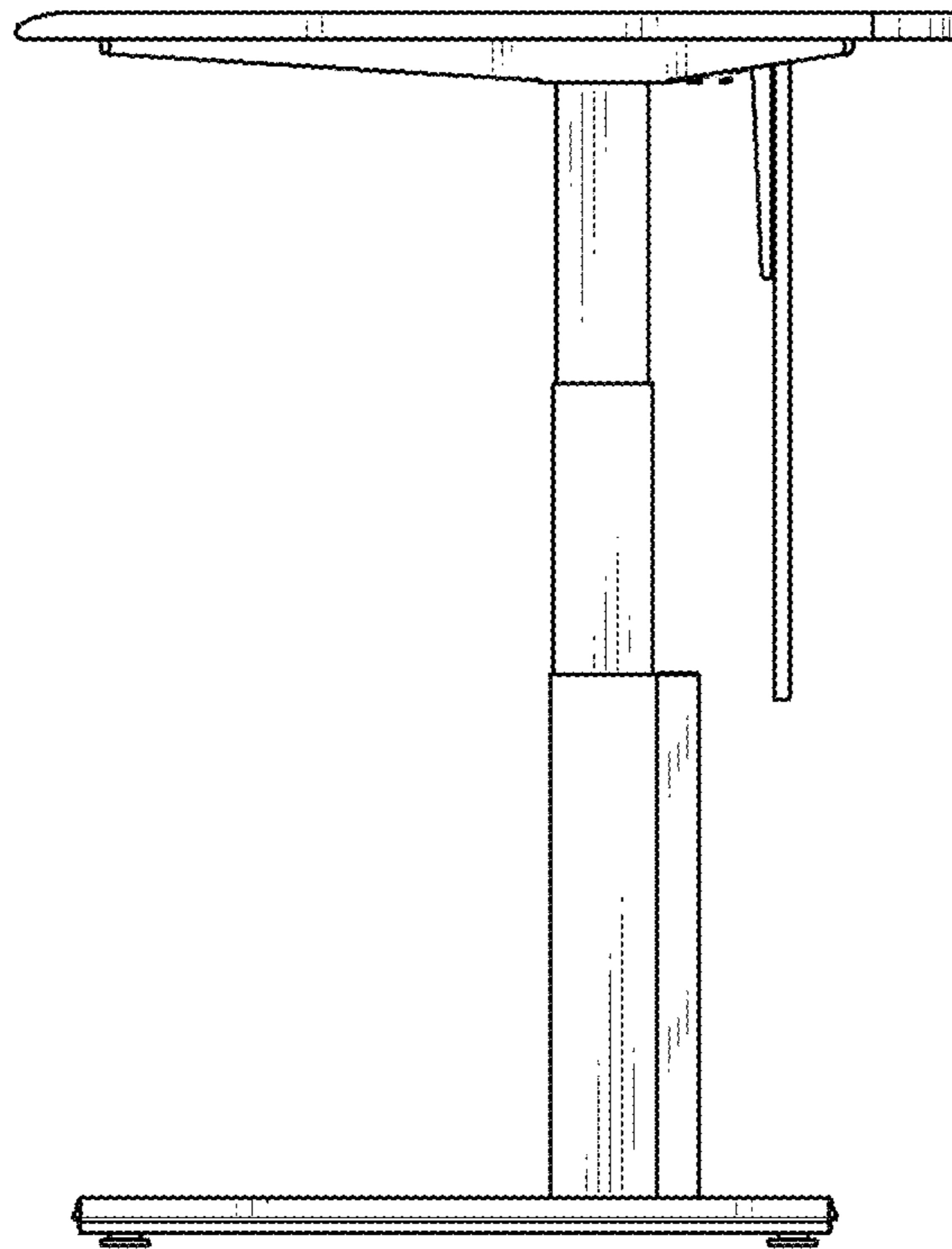


FIG. 5

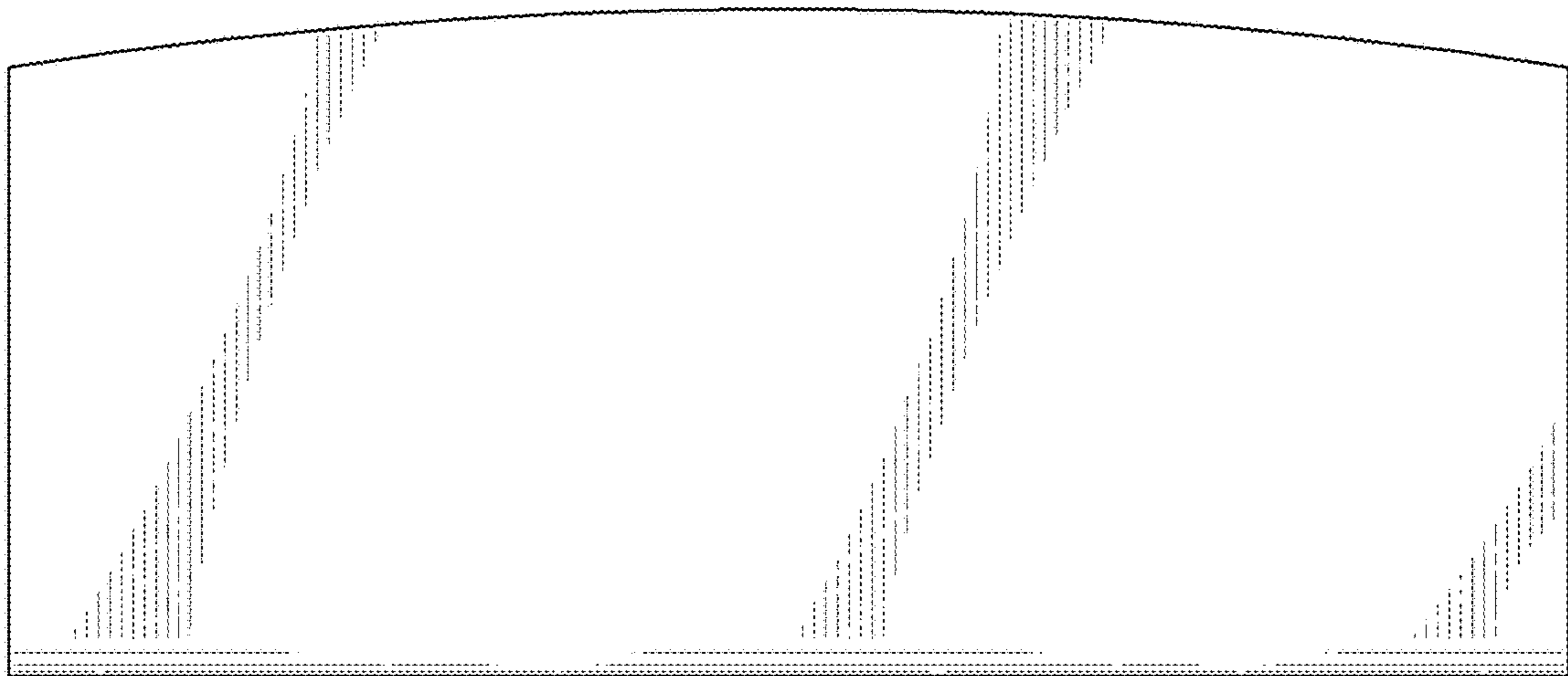


FIG. 6

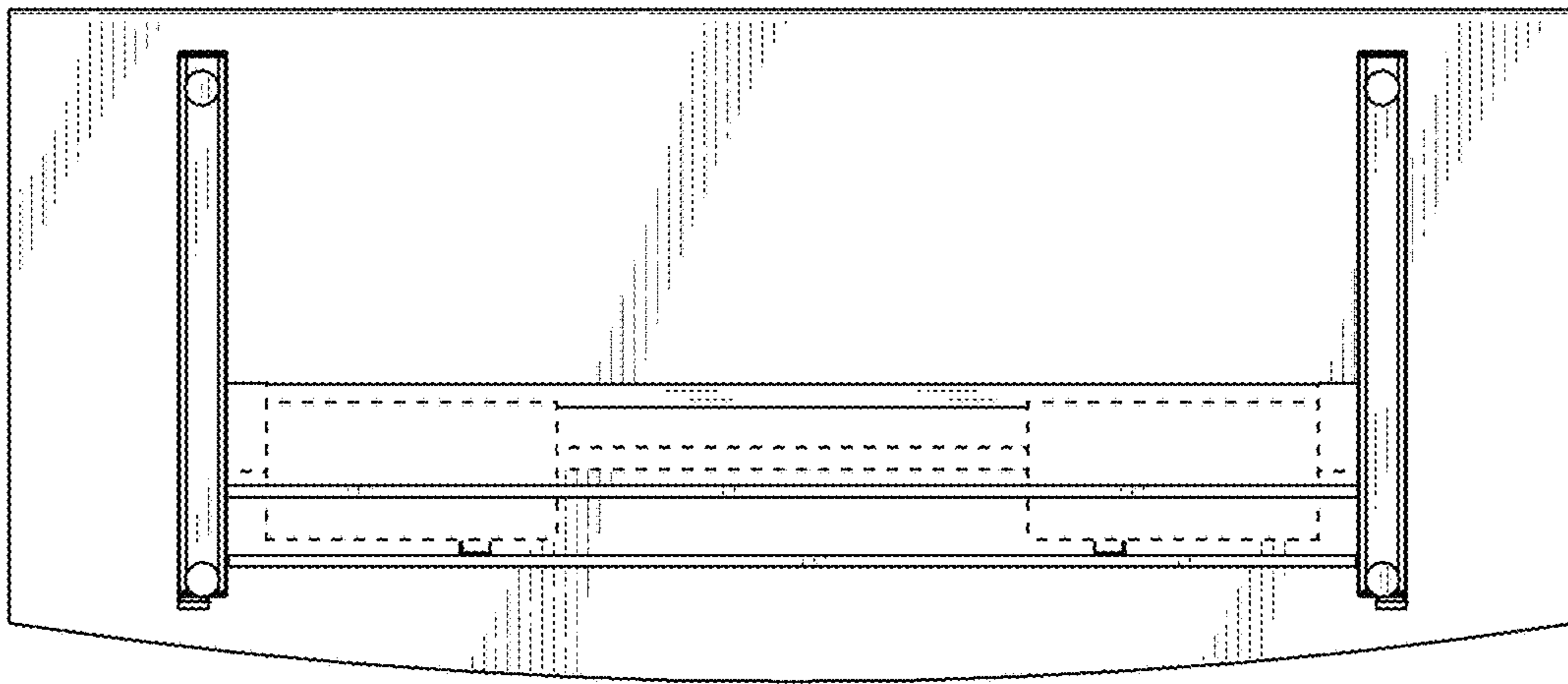


FIG. 7

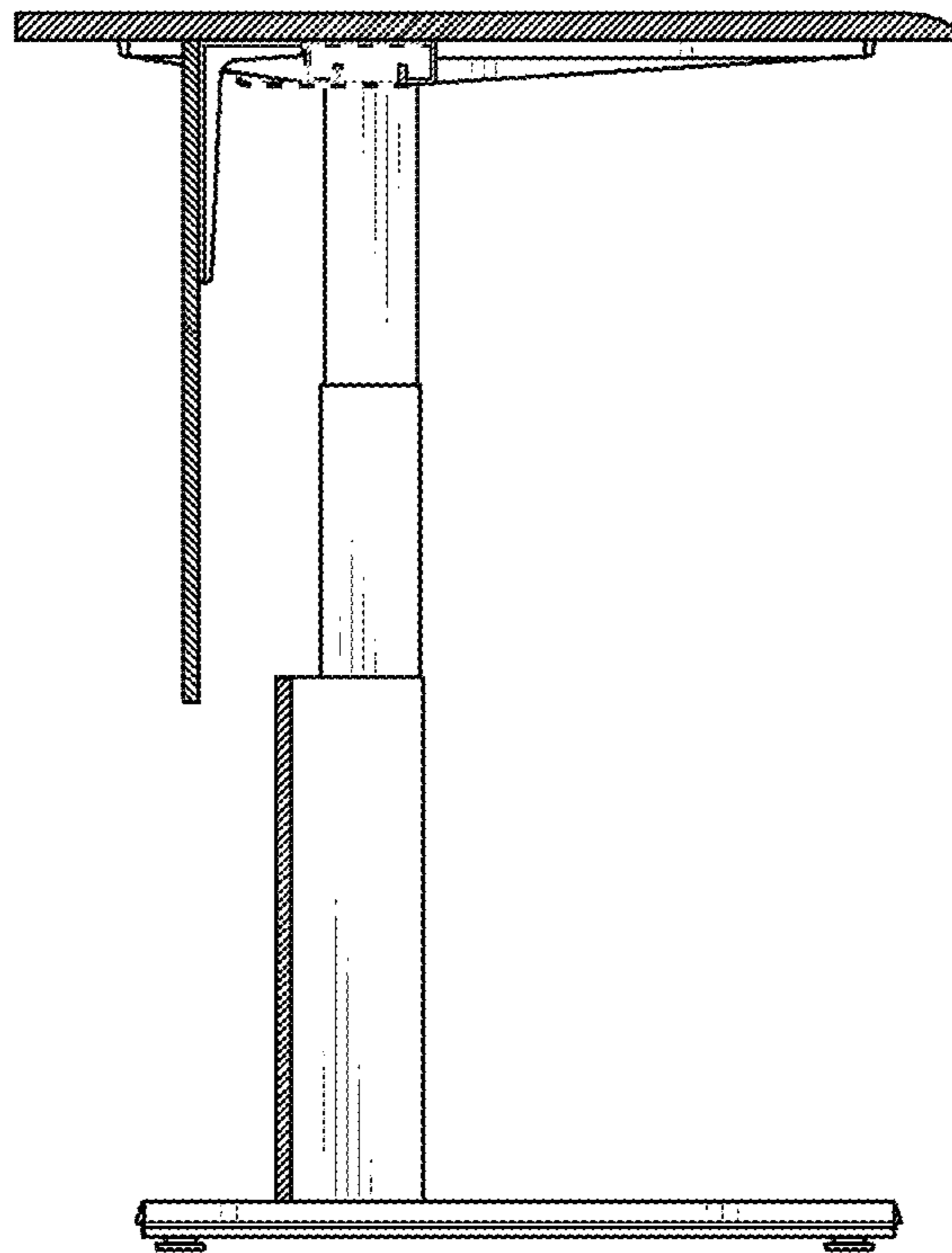




FIG. 8

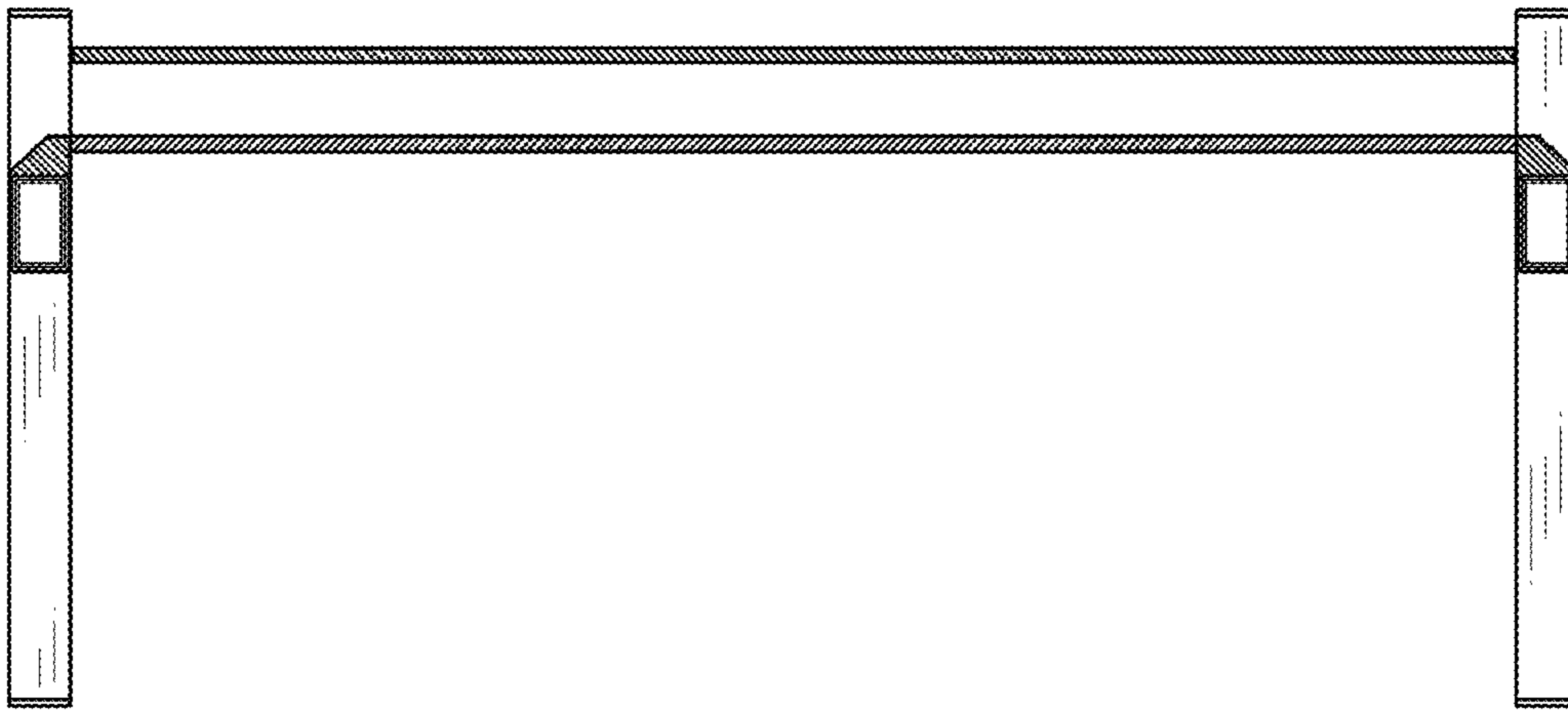


FIG. 9

