



US00D794354S

(12) **United States Design Patent** (10) **Patent No.:** **US D794,354 S**
Pan et al. (45) **Date of Patent:** **** Aug. 15, 2017**

(54) **TOWEL BAR**
(71) Applicant: **3M INNOVATIVE PROPERTIES COMPANY**, St. Paul, MN (US)
(72) Inventors: **Angela L. Pan**, Arden Hills, MN (US); **Craig D. Thompson**, Inver Grove Heights, MN (US)
(73) Assignee: **3M INNOVATIVE PROPERTIES COMPANY**, St. Paul, MN (US)
(**) Term: **15 Years**
(21) Appl. No.: **29/547,508**
(22) Filed: **Dec. 4, 2015**
(51) **LOC (10) Cl.** **06-04**
(52) **U.S. Cl.**
USPC **D6/549**
(58) **Field of Classification Search**
USPC D6/546-550, 512-525; 211/13.1, 16, 211/85.5, 86.01, 87.01, 88.04, 100, 105.1, 211/105.2, 106, 113, 123, 181.1, 211/182-183; 242/570, 590, 595-598; 248/49, 175, 176.1, 200, 201, 205.1, 251, 248/302, 309.1, 315; D8/300, 315-321, D8/354, 363, 373, 380; 108/28-29; D25/45
CPC A47K 10/3836; A47K 10/38
See application file for complete search history.

D492,529 S * 7/2004 Chen D6/549
D492,530 S * 7/2004 Chen D6/549
D503,061 S * 3/2005 Fuchs D6/549
D504,804 S * 5/2005 Chen D8/316
D516,349 S * 3/2006 Ferrer Beltran D6/549
D540,596 S * 4/2007 Duggan D6/549
D600,961 S * 9/2009 Krumpe D6/549

OTHER PUBLICATIONS

Amazon.com, Command Hand Towel Bar, Satin Nickel, 1-Towel Bar (BATH41-SN-ES),Feb. 24, 2016, https://www.amazon.com/Command-Towel-Nickel-1-Towel-BATH41-SN-ES/dp/B01C60C7FW/ref=sr_1_1?ie=UTF8&qid=1474996864&sr=8-1&keywords=3m+command+towel+bar.*

* cited by examiner

Primary Examiner — David Muller
Assistant Examiner — Nathan Johnston
(74) *Attorney, Agent, or Firm* — Irina Hass

(57) **CLAIM**

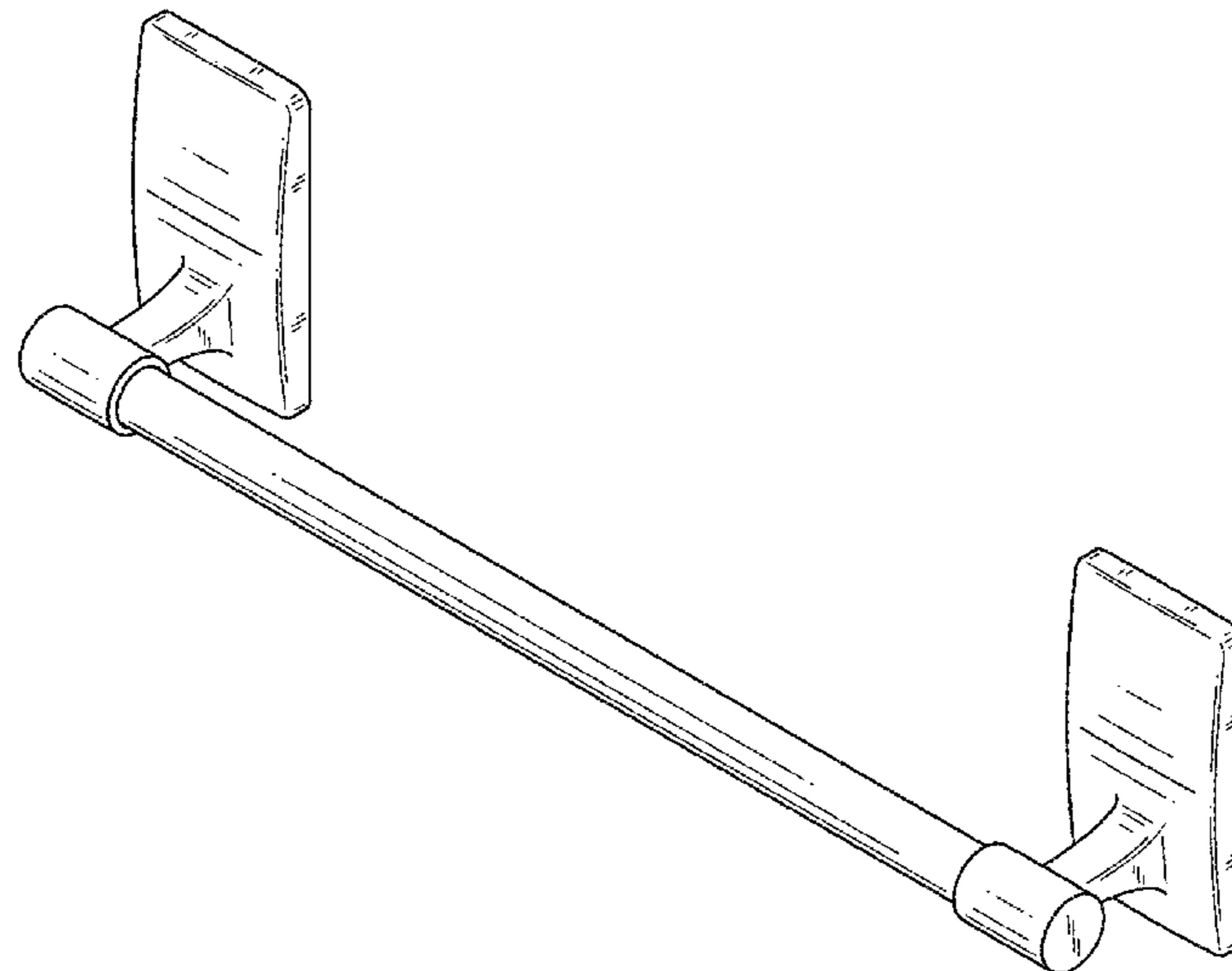
The ornamental design for a towel bar, as shown and described.

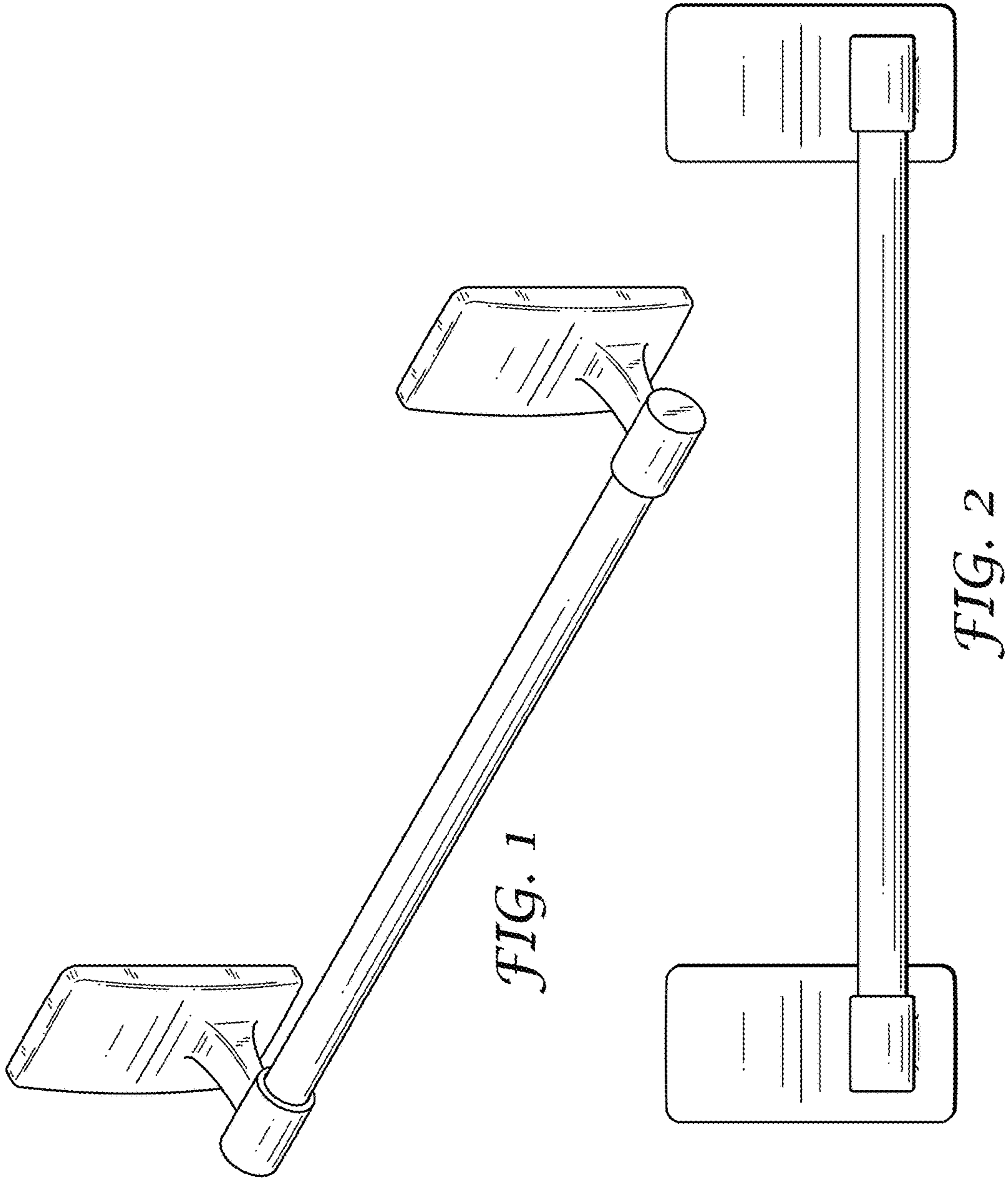
DESCRIPTION

FIG. 1 is a perspective view showing a new design for a towel bar;
FIG. 2 is a front elevation view thereof;
FIG. 3 is a top plan view thereof;
FIG. 4 is a bottom plan view thereof;
FIG. 5 is a rear elevation view thereof; and,
FIG. 6 is a right side elevation view thereof, a left side elevation view being a mirror image thereof.
The portions of the towel bar in FIG. 5 shown in broken lines are included to show features that form no part of the claimed design.

1 Claim, 3 Drawing Sheets

(56) **References Cited**
U.S. PATENT DOCUMENTS
D299,110 S * 12/1988 Jans D8/316
D426,095 S * 6/2000 Chen D6/549
D452,792 S * 1/2002 Gilbert D6/549
D455,592 S * 4/2002 Ou-Young D6/549
D473,742 S * 4/2003 Gilbert D6/549
D478,759 S * 8/2003 Hoernig D6/549





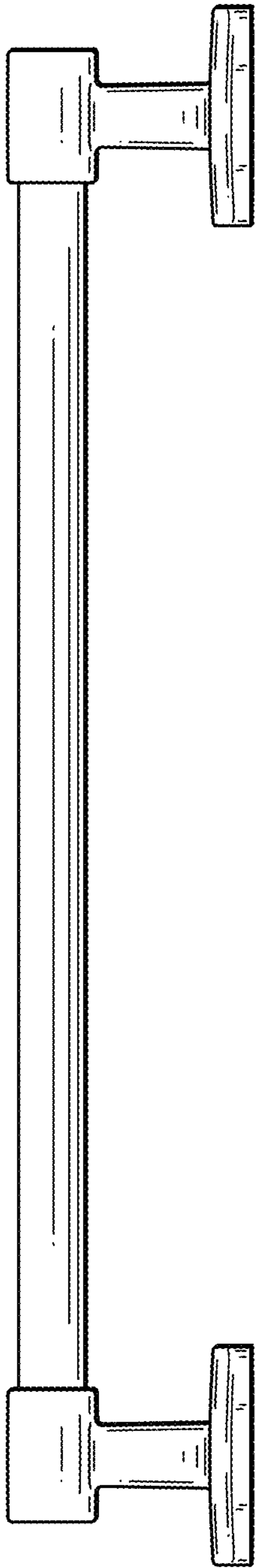


FIG. 3

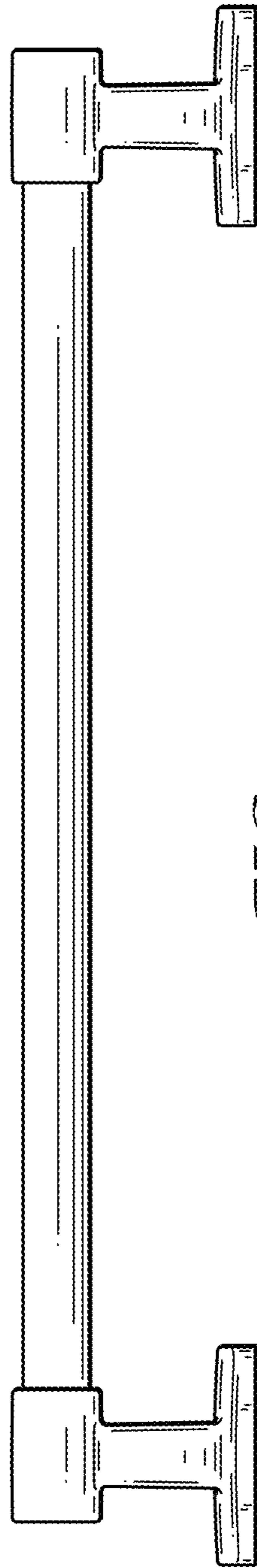


FIG. 4

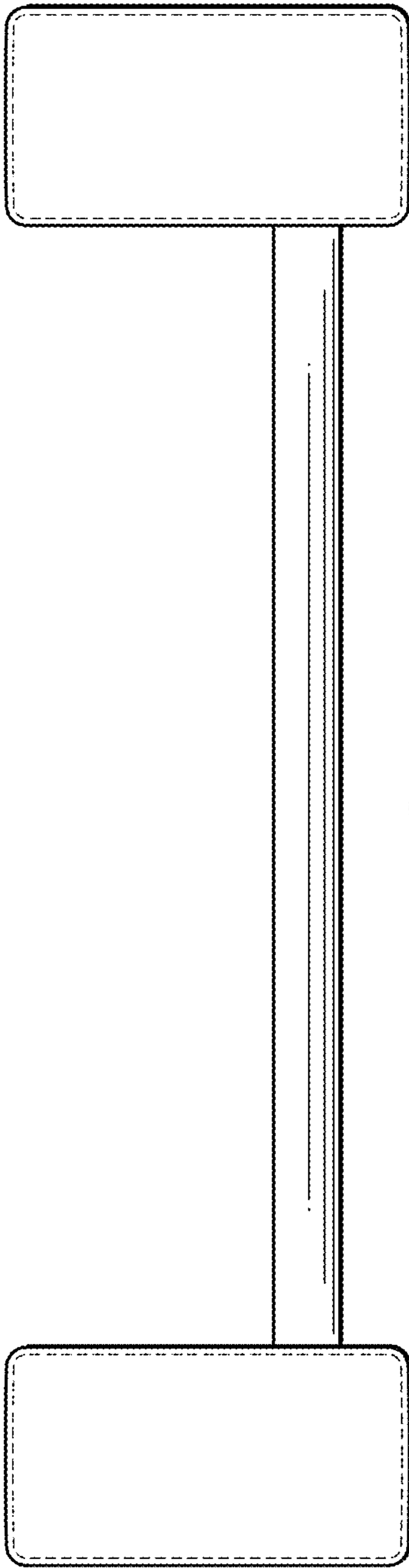


FIG. 5

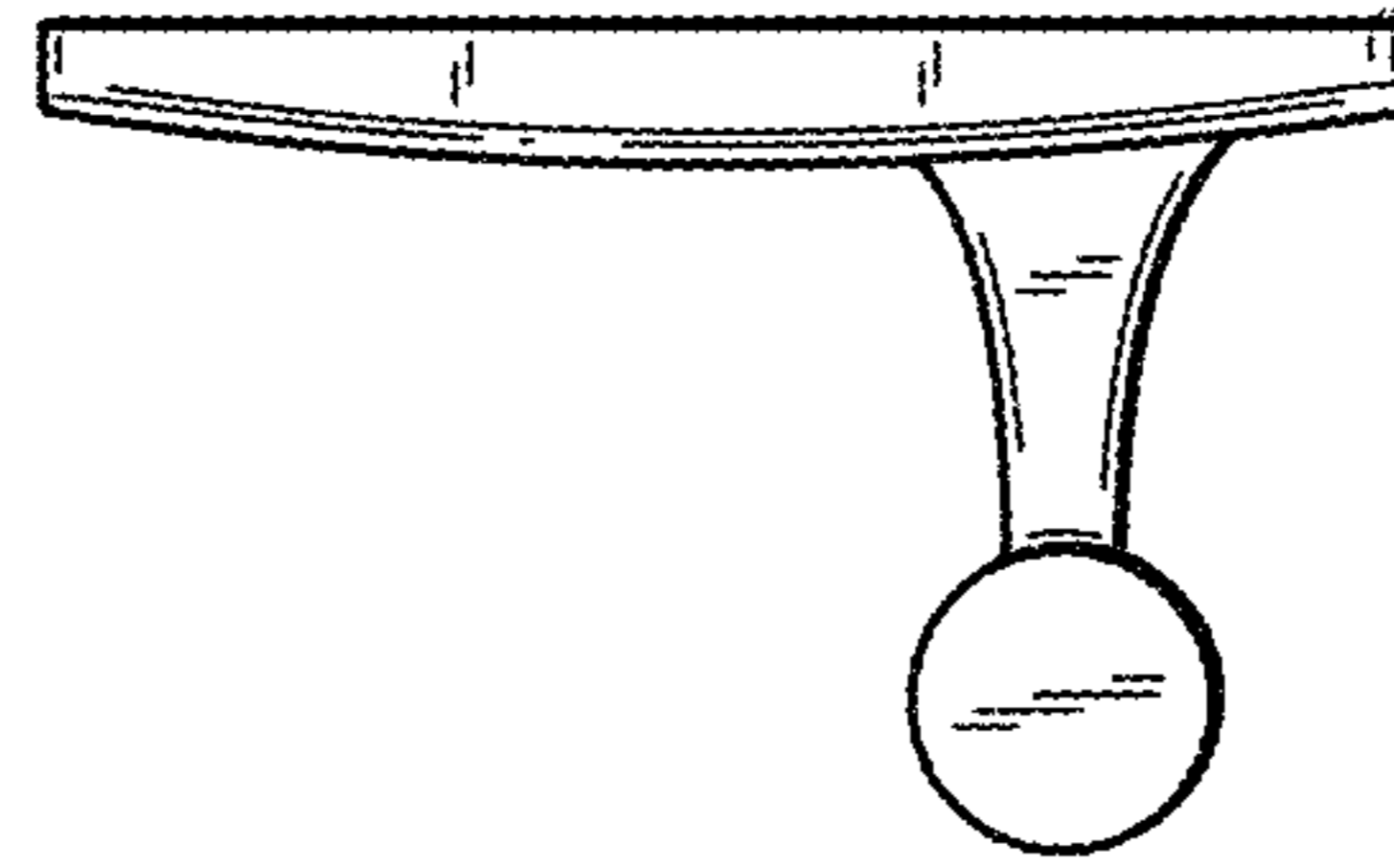


FIG. 6