



US00D794350S

(12) **United States Design Patent**
Dybdahl et al.

(10) **Patent No.:** **US D794,350 S**
(45) **Date of Patent:** **** Aug. 15, 2017**

(54) **BED ASSEMBLY**

(71) Applicant: **Dan Foam ApS**, Aarup (DK)

(72) Inventors: **Charlotte Dybdahl**, Middelfart (DK);
Dorthe Bang Iversen, Glamsbjerg (DK);
Tina Bang Nielsen, Randbol (DK);
Annette Hoejgaard Frausig, Middelfart (DK);
Kristina Skjoldemose Askloef, Nyborg (DK);
Jeanet Kit Holkenberg, Middelfart (DK)

(73) Assignee: **Dan Foam ApS**, Aarup (DK)

(**) Term: **14 Years**

(21) Appl. No.: **29/519,154**

(22) Filed: **Mar. 3, 2015**

(51) **LOC (10) Cl.** **06-02**

(52) **U.S. Cl.**
USPC **D6/384**

(58) **Field of Classification Search**
USPC D6/329, 331-335, 344, 347, 348, 354,
D6/360-362, 371-375, 377, 379,
(Continued)

(56) **References Cited**

U.S. PATENT DOCUMENTS

D95,017 S * 4/1935 Carlson 5/2.1
2,432,379 A * 12/1947 Butler A47B 87/0292
312/108

(Continued)

OTHER PUBLICATIONS

New Zeland Phoenix King Upholstered Storage Platform Bed
(available online Jul. 31, 2016) Retrieved from the internet Oct. 19,
2016, retrieved from the internet URL: <http://tshirtdesign-free.com/platform-bed/classic-linen-upholstered-platform-bed-king-contains-on-aurora-medium-wood-king-upholstered-platform-bed/>.*

Primary Examiner — Garth Rademaker
Assistant Examiner — Richard Kearney

(57) **CLAIM**

The ornamental design for a bed assembly, as shown and described.

DESCRIPTION

FIG. 1 is a perspective view of the bed assembly of the present invention
FIG. 2 is a front elevational view of the bed assembly of FIG. 1;
FIG. 3 is a rear elevational view of the bed assembly of FIG. 1;
FIG. 4 is a top view of the bed assembly of FIG. 1;
FIG. 5 is a bottom view of the bed assembly of FIG. 1
FIG. 6 is a left side elevational view of the bed assembly of FIG. 1;
FIG. 7 is a right side elevational view of the bed assembly of FIG. 1;
FIG. 8 is a perspective view of the bed assembly of the present invention in accordance with an alternative embodiment of the bed assembly;
FIG. 9 is a front elevational view of the bed assembly of FIG. 8;
FIG. 10 is a rear elevational view of the bed assembly of FIG. 8;
FIG. 11 is a top view of the bed assembly of FIG. 8;
FIG. 12 is a bottom view of the bed assembly of FIG. 8;
FIG. 13 is a left side elevational view of the bed assembly of FIG. 8;
FIG. 14 is a right side elevational view of the bed assembly of FIG. 8;
FIG. 15 is a perspective view of the bed assembly of the present invention in accordance with another alternative embodiment of the bed assembly;
FIG. 16 is a front elevational view of the bed assembly of FIG. 15;
FIG. 17 is a rear elevational view of the bed assembly of FIG. 15;
FIG. 18 is a top view of the bed assembly of FIG. 15;
FIG. 19 is a bottom view of the bed assembly of FIG. 15;
FIG. 20 is a left side elevational view of the bed assembly of FIG. 15; and,

(Continued)

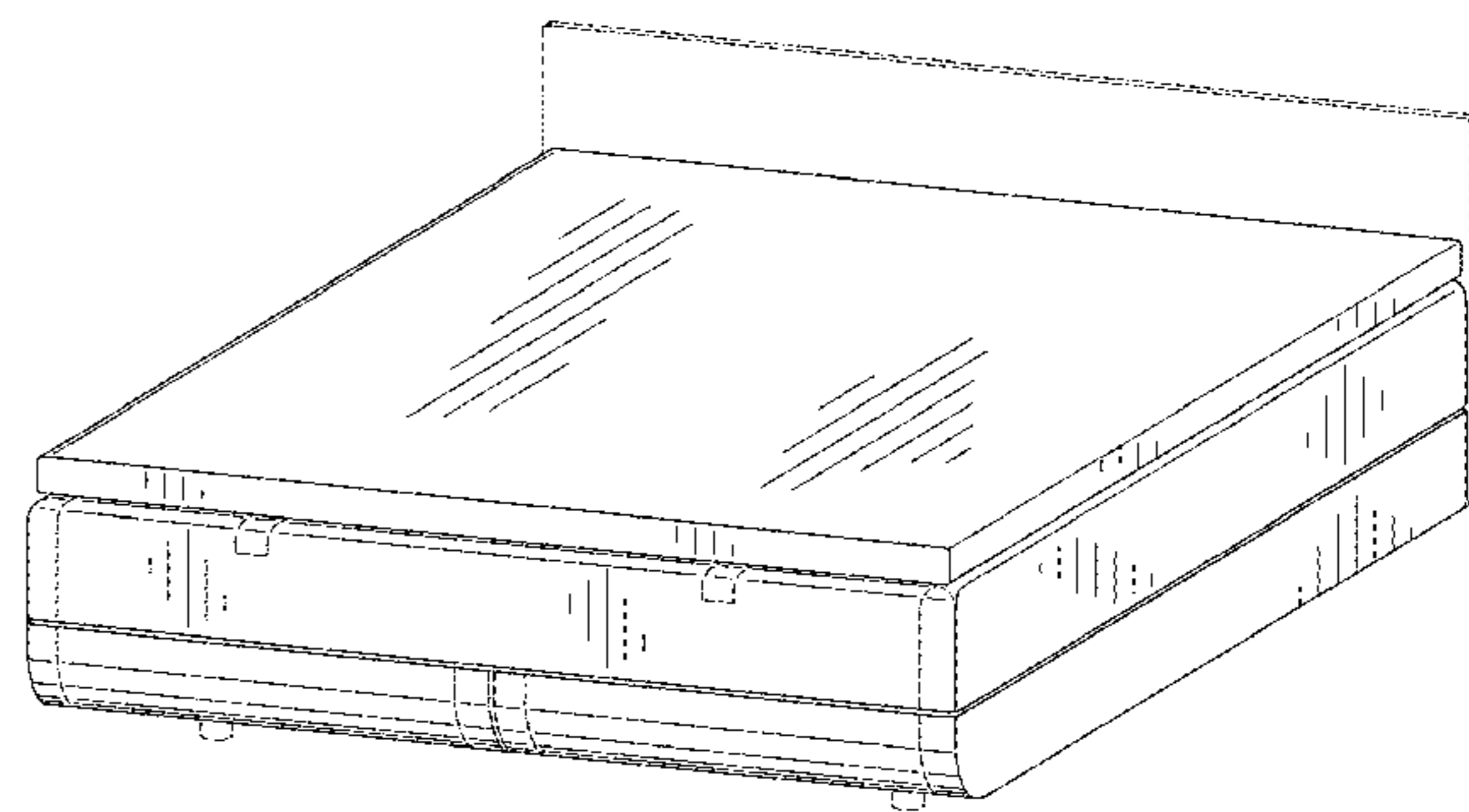
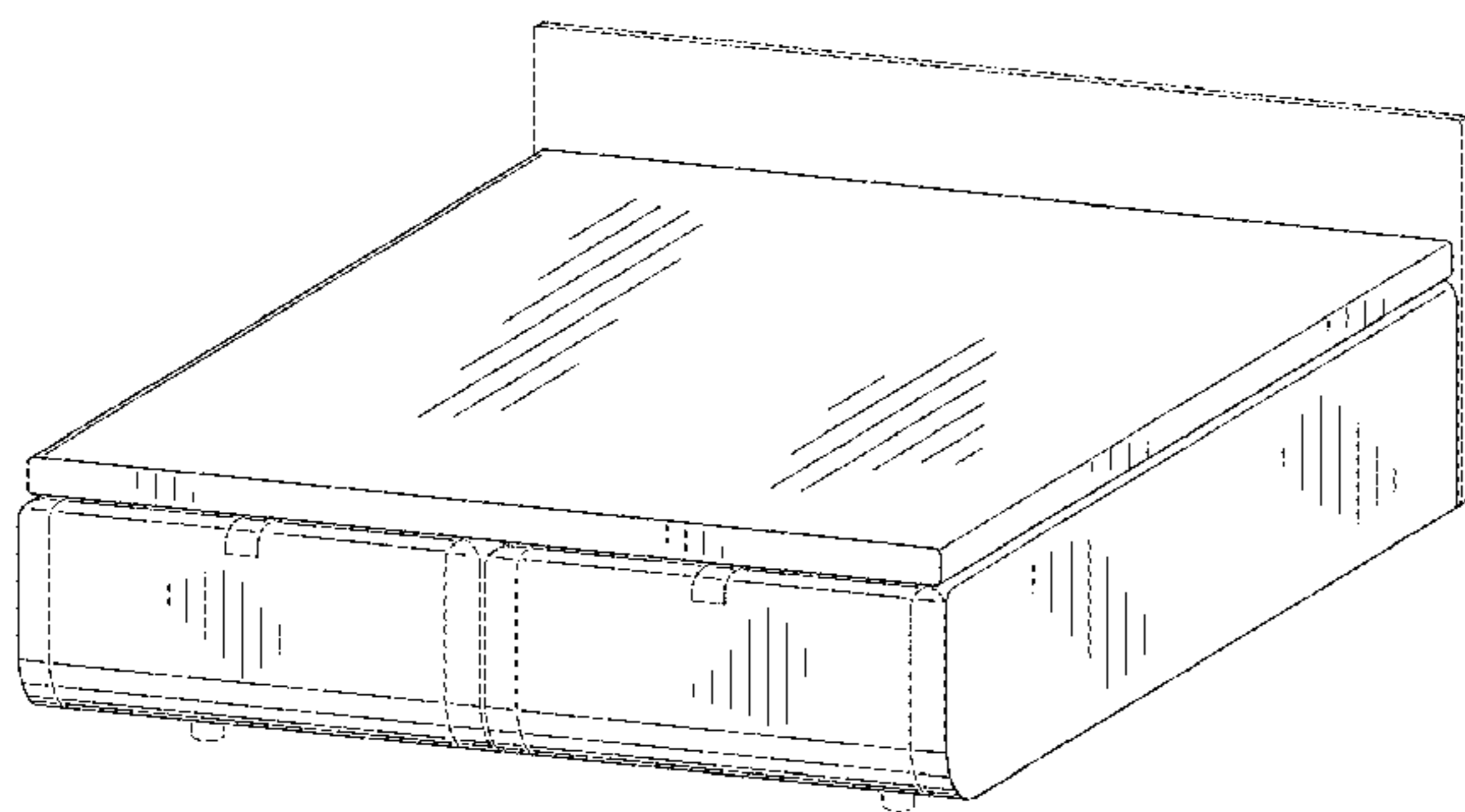


FIG. 21 is a right side elevational view of the bed assembly of FIG. 15.

The portions drawn in broken lines depict portions of the article and form no part of the claimed design.

1 Claim, 12 Drawing Sheets

(58) **Field of Classification Search**

USPC D6/382-395, 406.1, 406.2, 406.3, 406.6,
 D6/667, 673, 715, 716, 716.1, 716.4,
 D6/716.5, 716.6, 716.7, 716.8, 718.1,
 D6/718.11, 718.12, 718.13, 718.14,
 D6/718.21, 718.22, 718.23, 718.2, 718.26,
 D6/718.28, 718.29, 718.3
 CPC A47C 19/00; A47C 19/02; A47C 19/04;
 A47C 19/20; A47C 19/22; A47C 19/005;
 A47C 19/02; A47C 19/021; A47C

19/022; A47C 19/025; A47C 19/027;
 A47C 19/028; A47C 19/202

See application file for complete search history.

(56)

References Cited

U.S. PATENT DOCUMENTS

D200,191	S	*	2/1965	Bendell	D6/336
D369,247	S	*	4/1996	Anderson	D6/384
D450,471	S	*	11/2001	Dordoni	D6/393
D480,888	S	*	10/2003	Ogawa	D6/392
D495,160	S	*	8/2004	Dordoni	D6/384
D592,885	S	*	5/2009	Mainzer	D6/393
D608,562	S	*	1/2010	Chen	D6/384
7,805,781	B1	*	10/2010	Smith	A47C 17/86
					5/280
8,656,533	B2	*	2/2014	Grossman	A47B 95/002
					5/280
D710,627	S	*	8/2014	Rigal	D6/393
D718,070	S	*	11/2014	Everson	D6/393
9,089,222	B2	*	7/2015	Stewart	A47C 19/025
2016/0296029	A1	*	10/2016	Salin	A47C 17/26

* cited by examiner

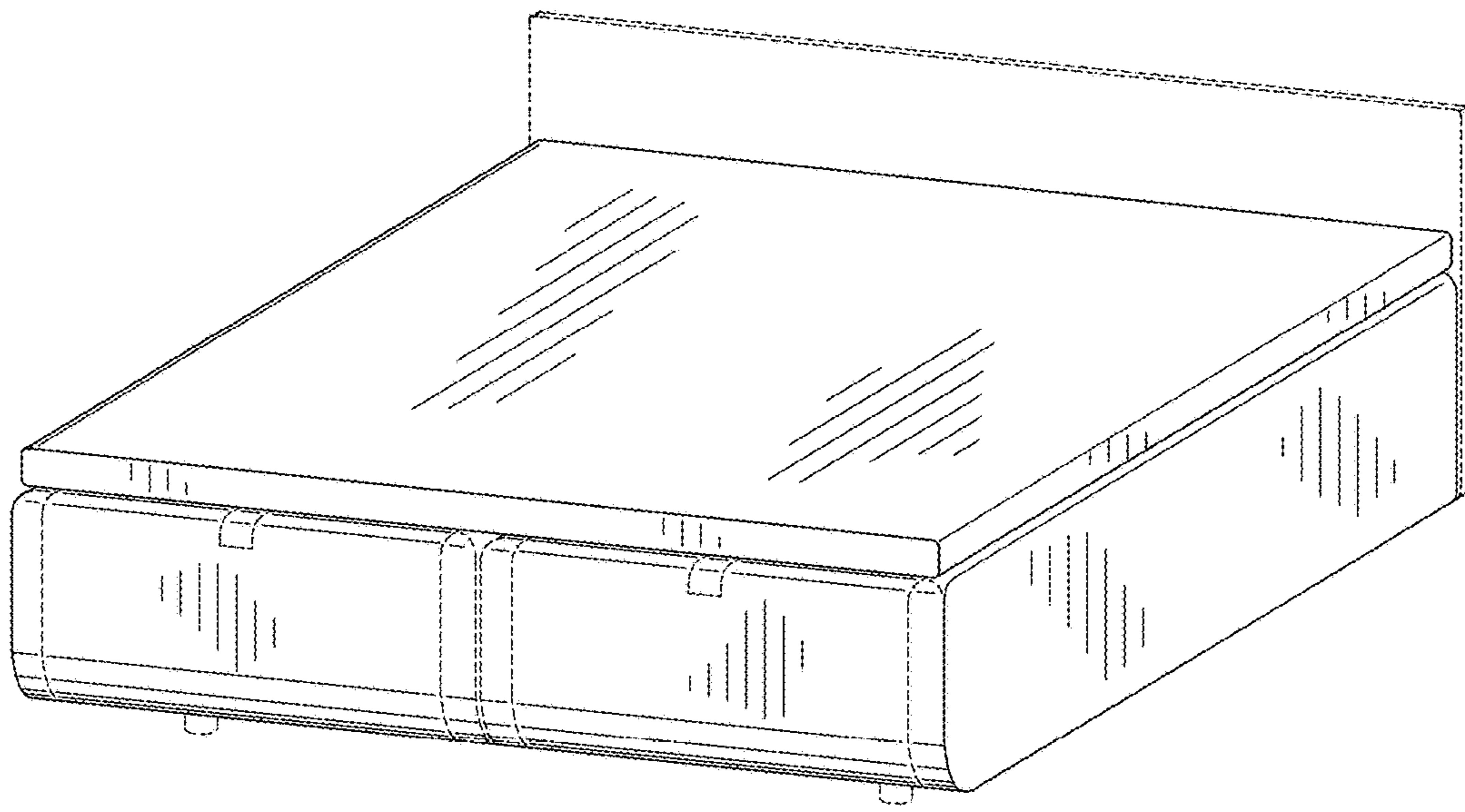


FIG. 1

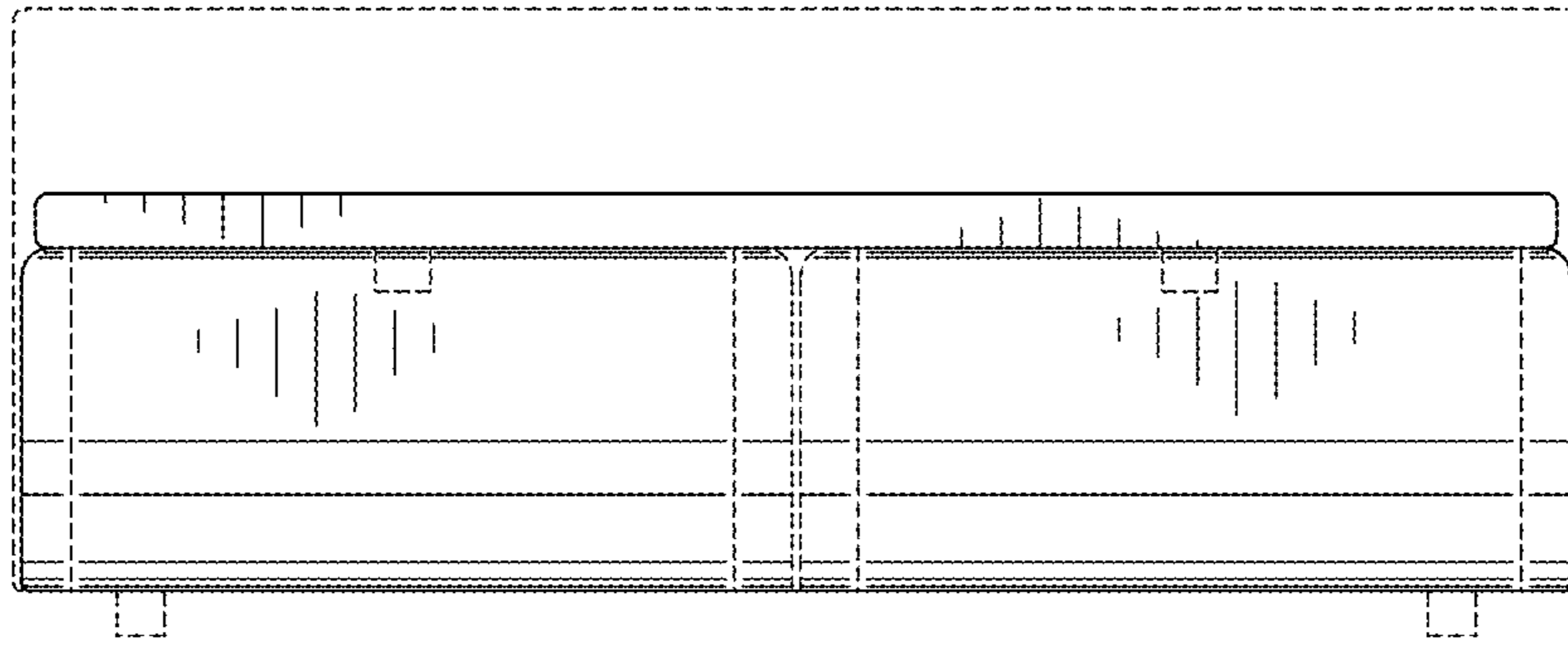


FIG. 2

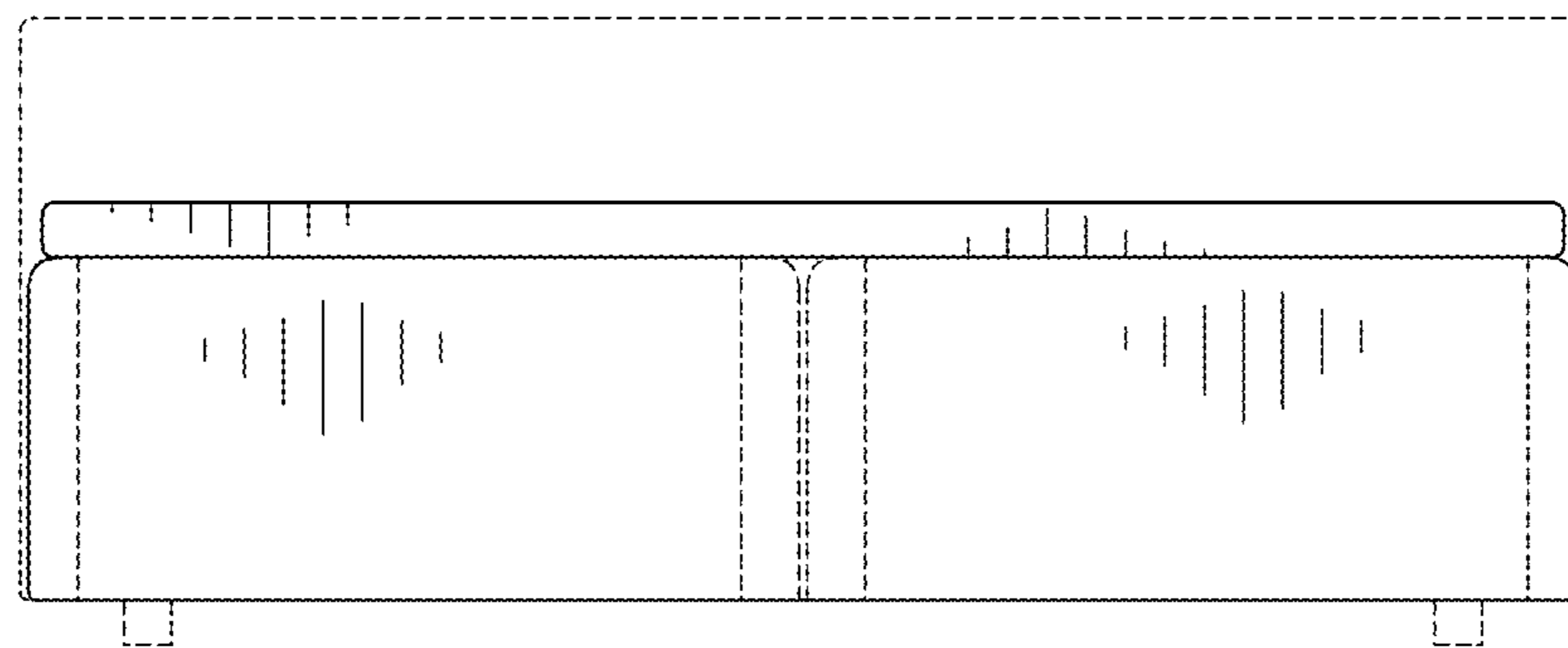


FIG. 3

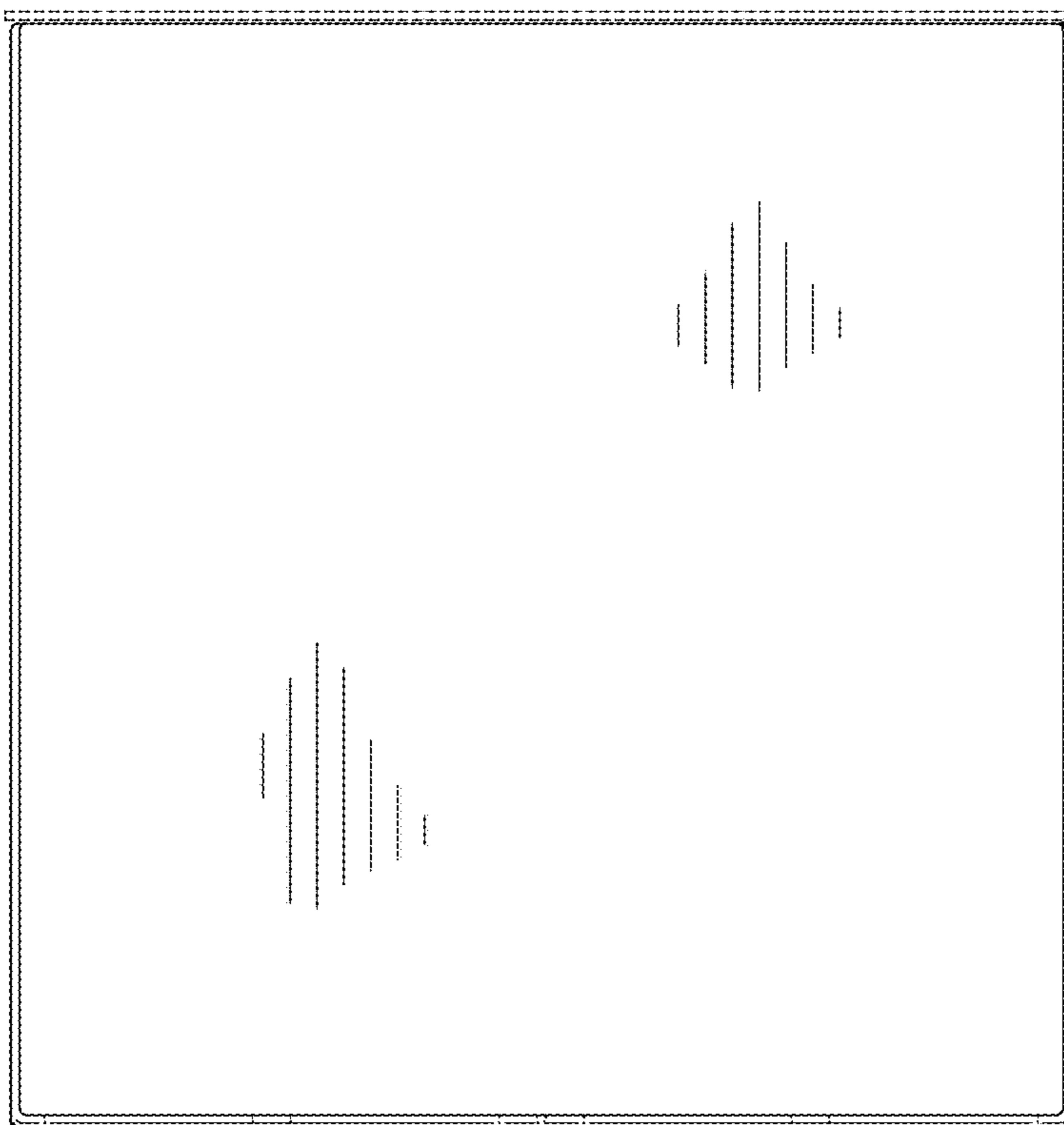


FIG. 4

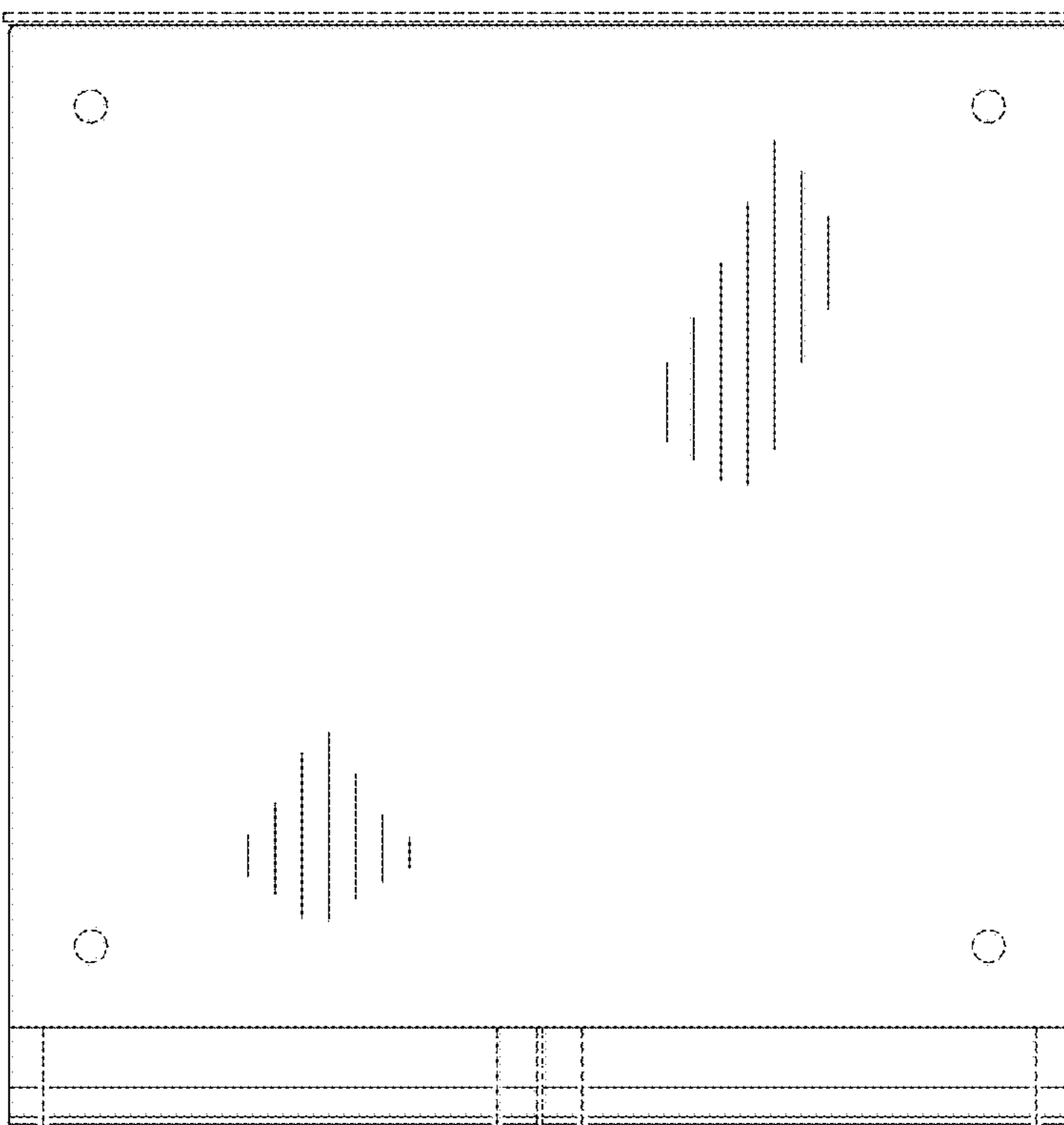


FIG. 5

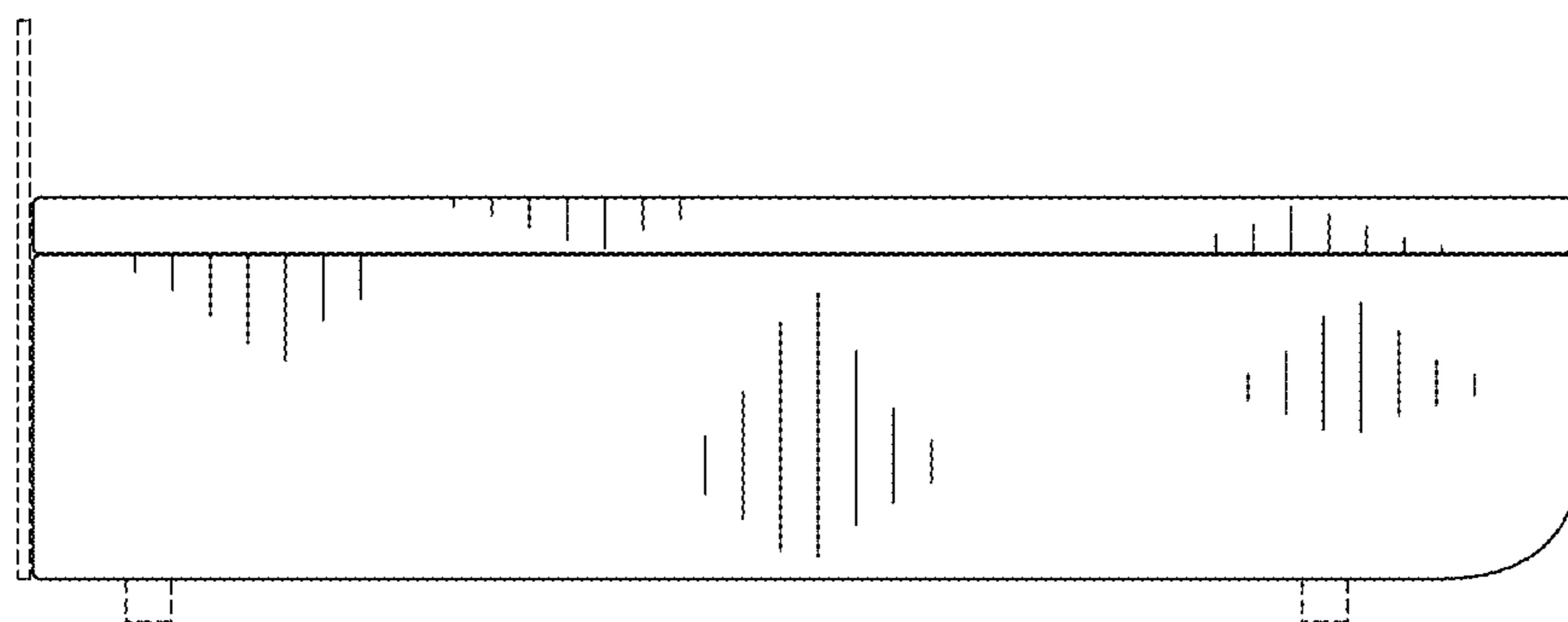


FIG. 6

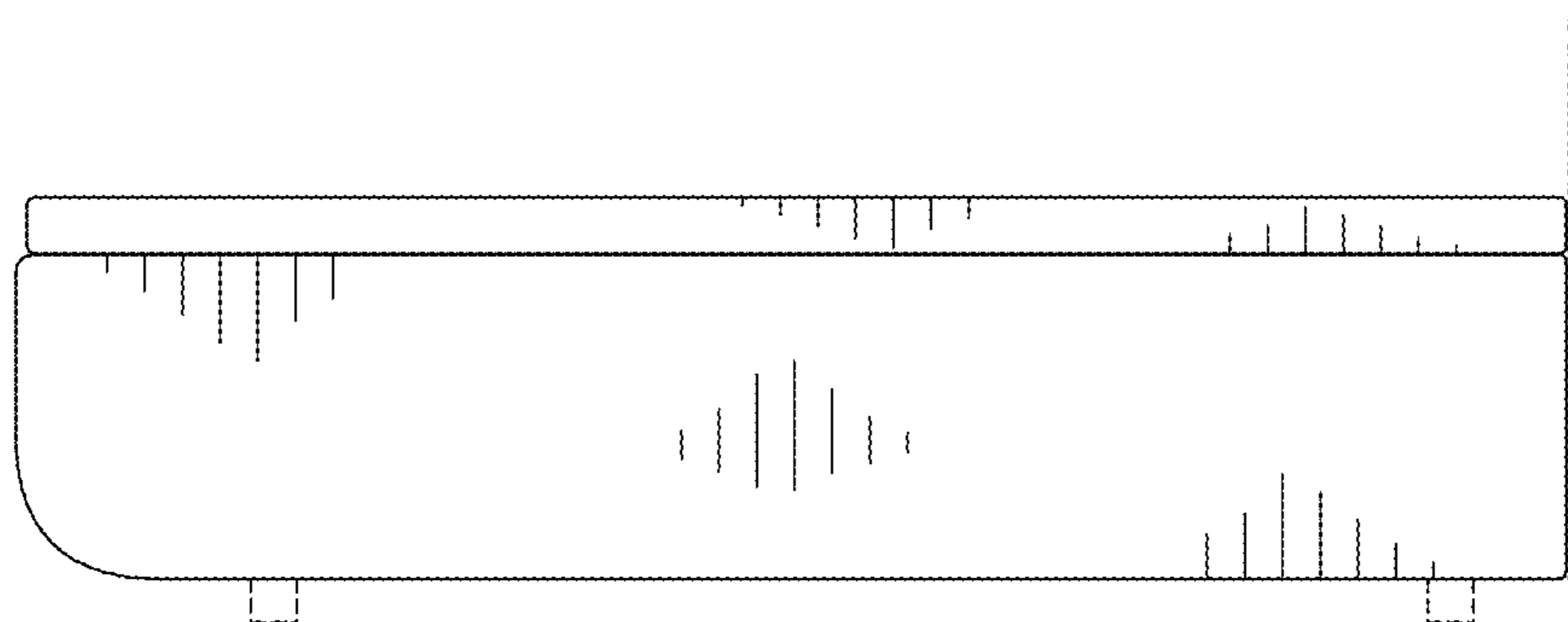


FIG. 7

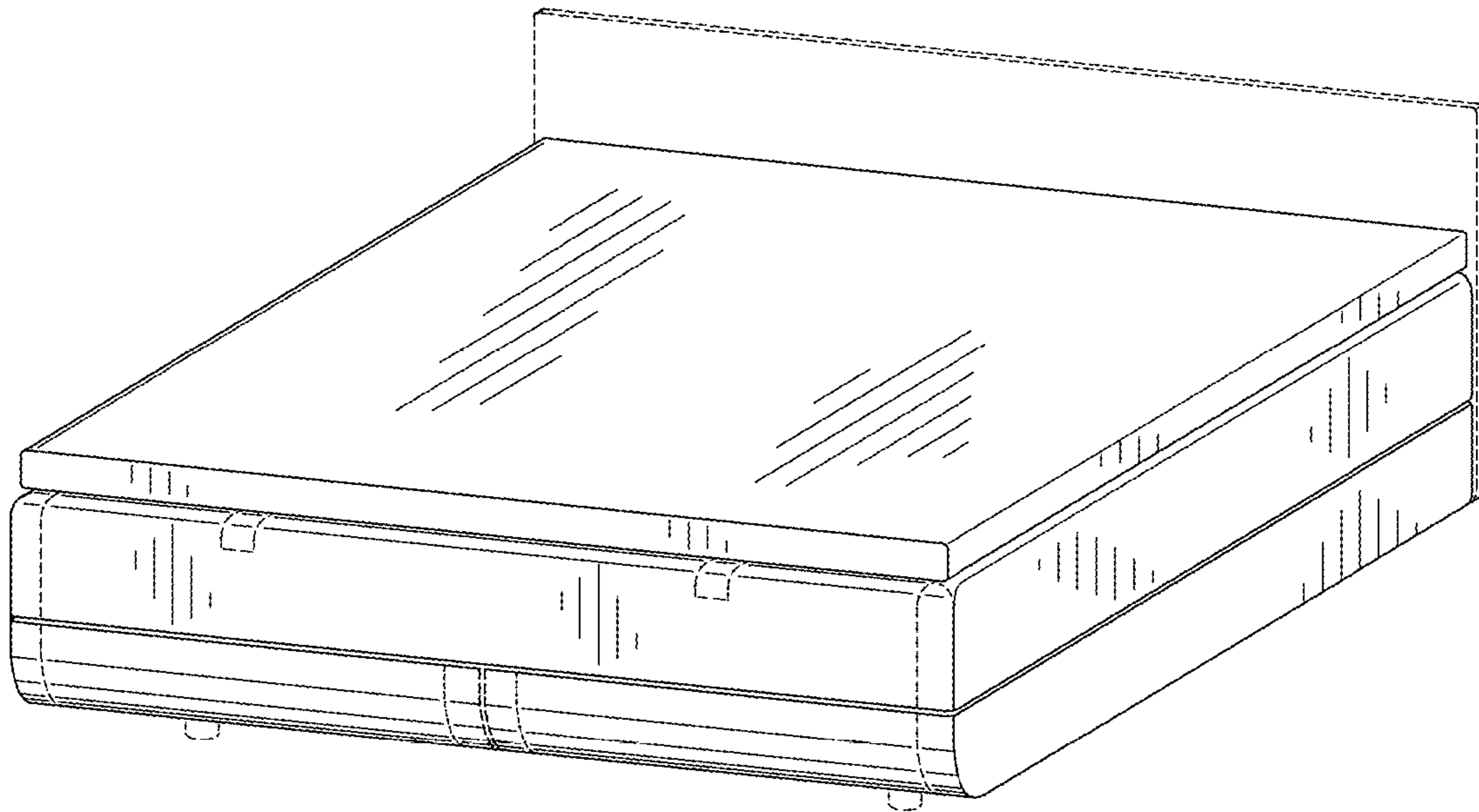


FIG. 8

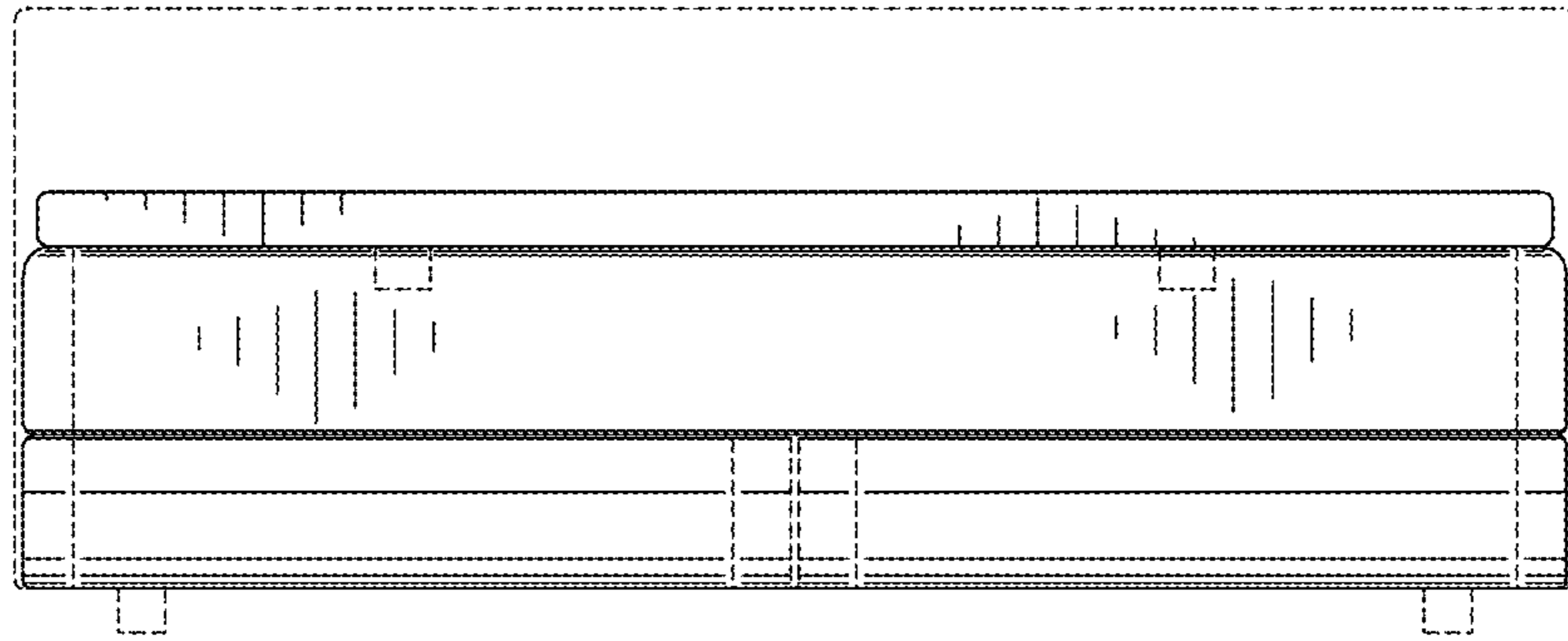


FIG. 9

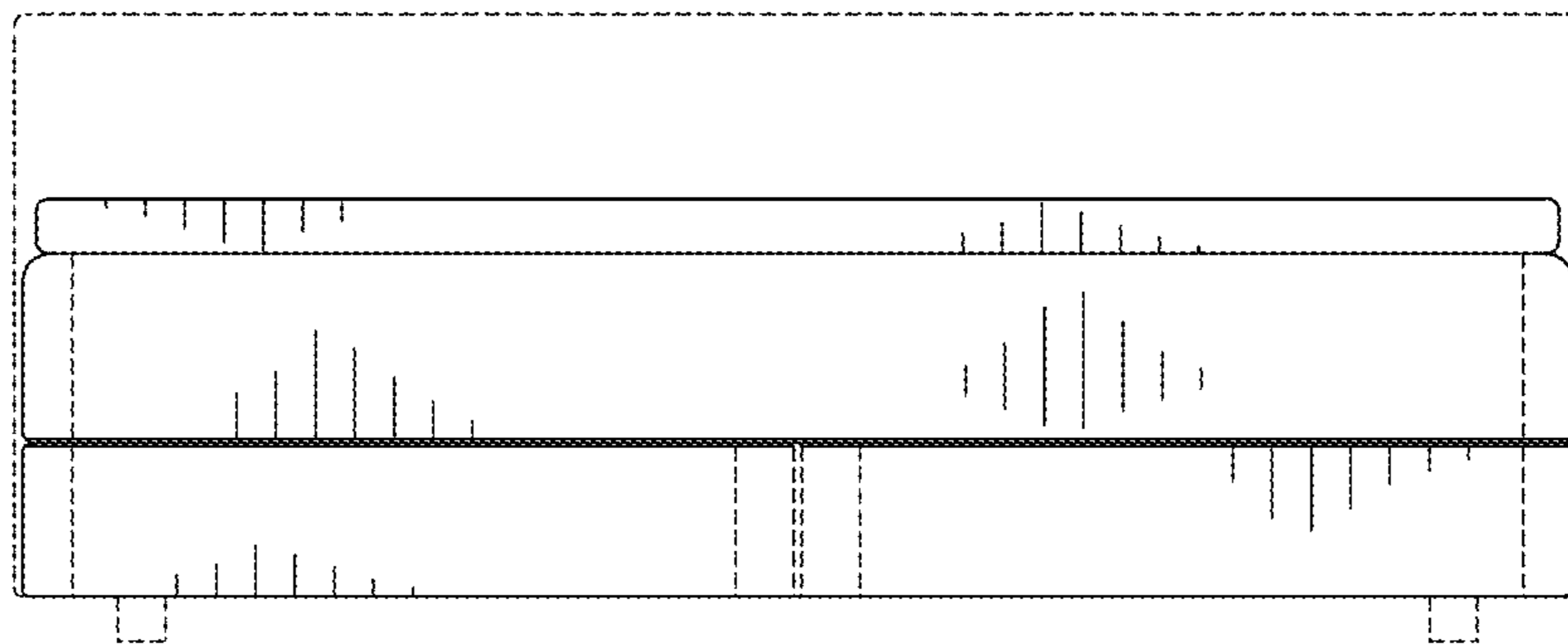


FIG. 10

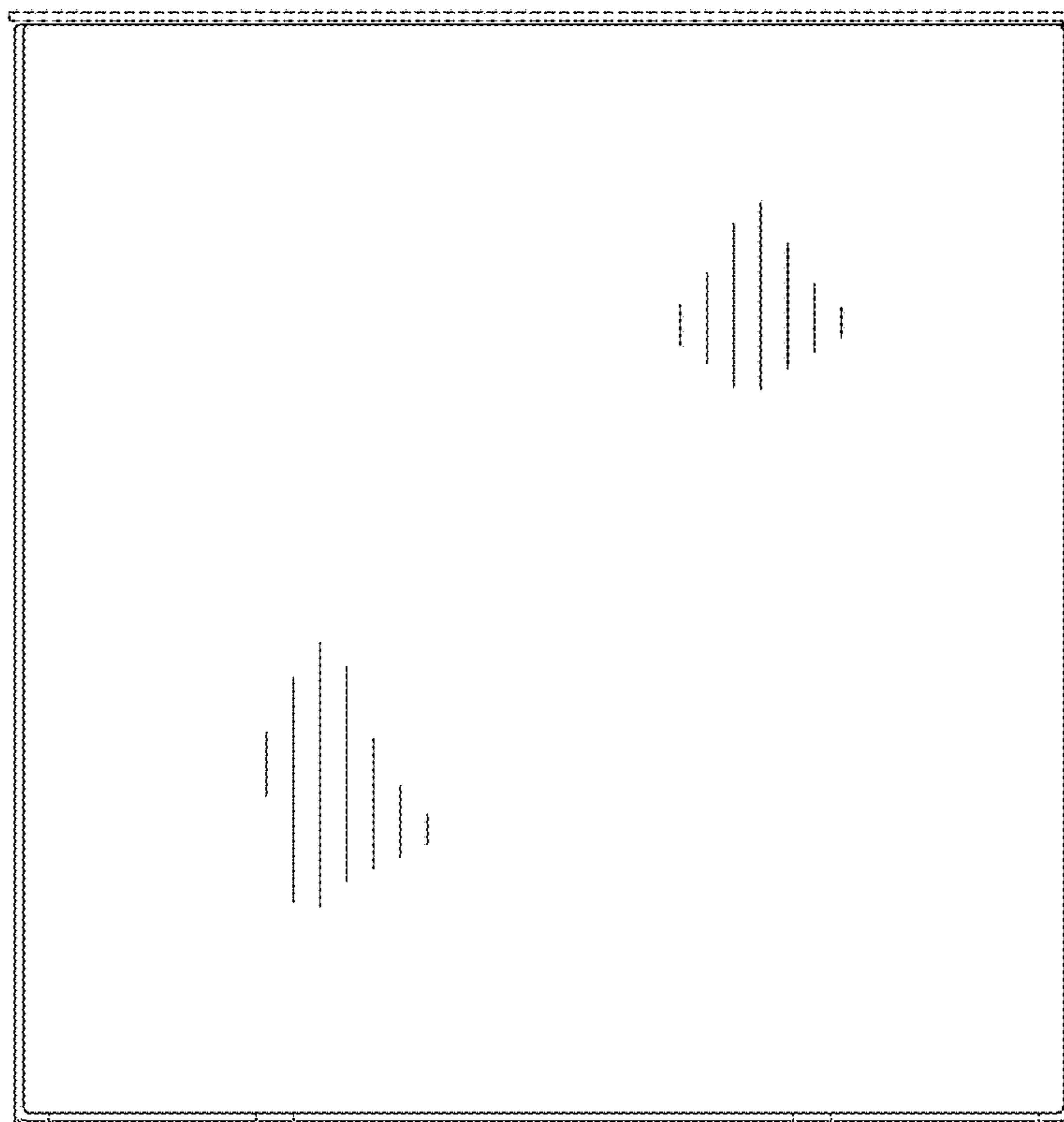


FIG. 11

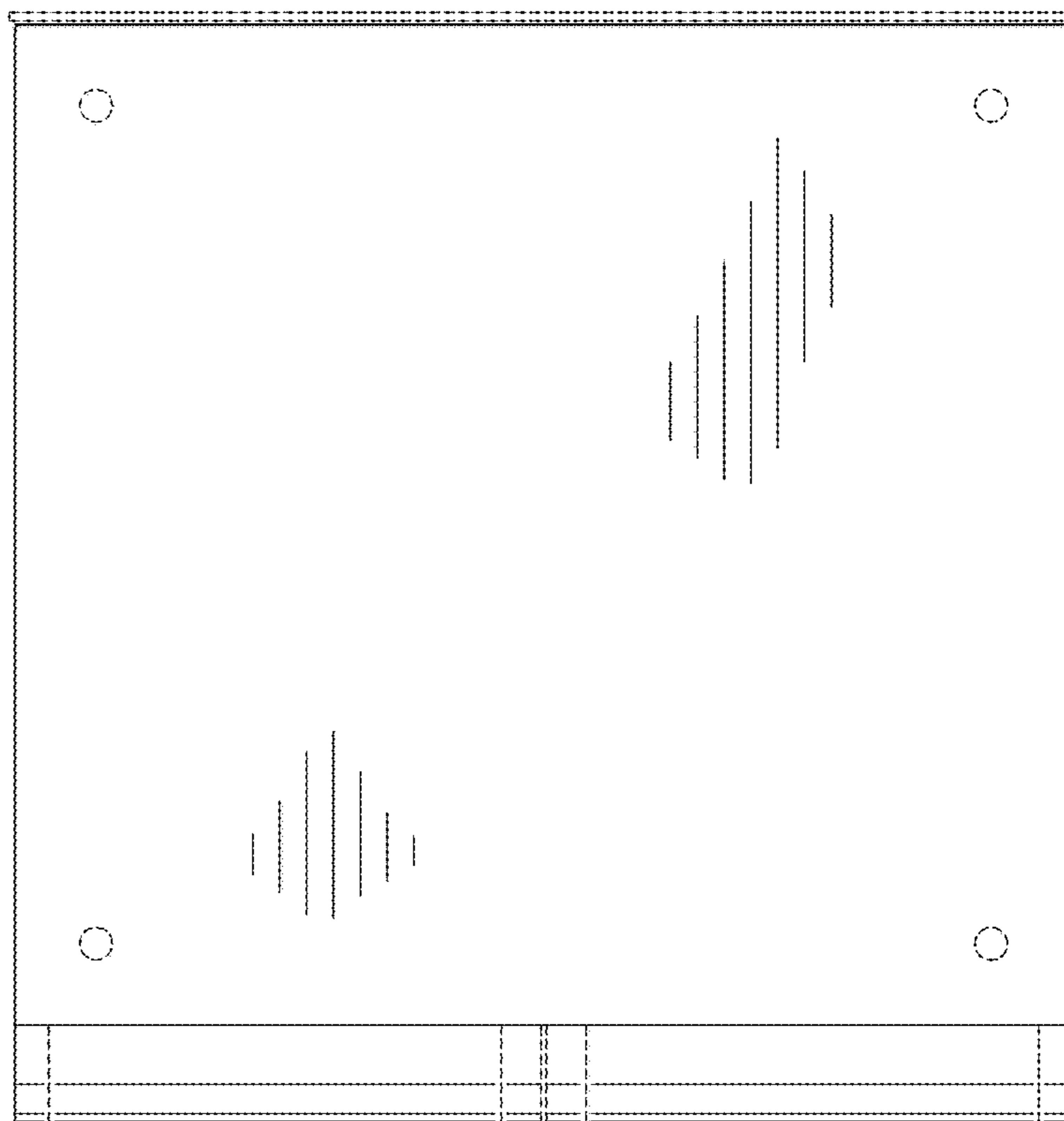


FIG. 12

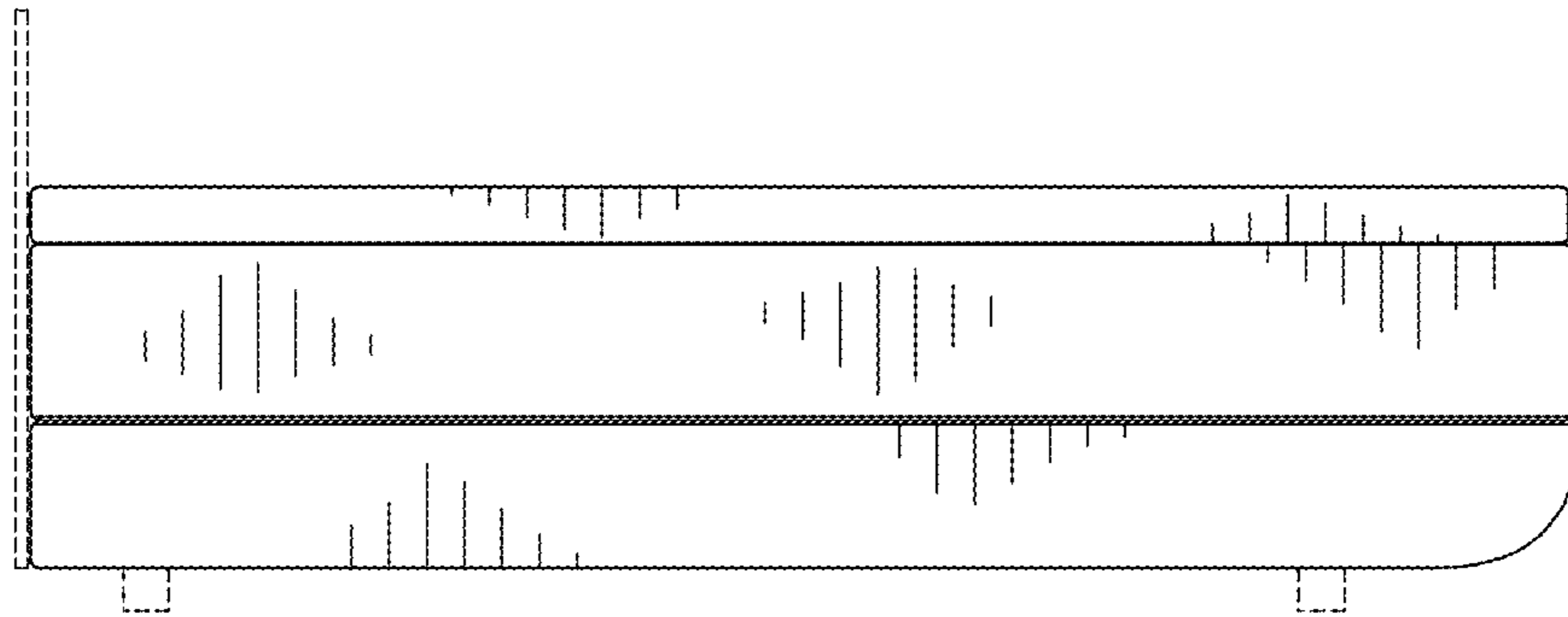


FIG. 13

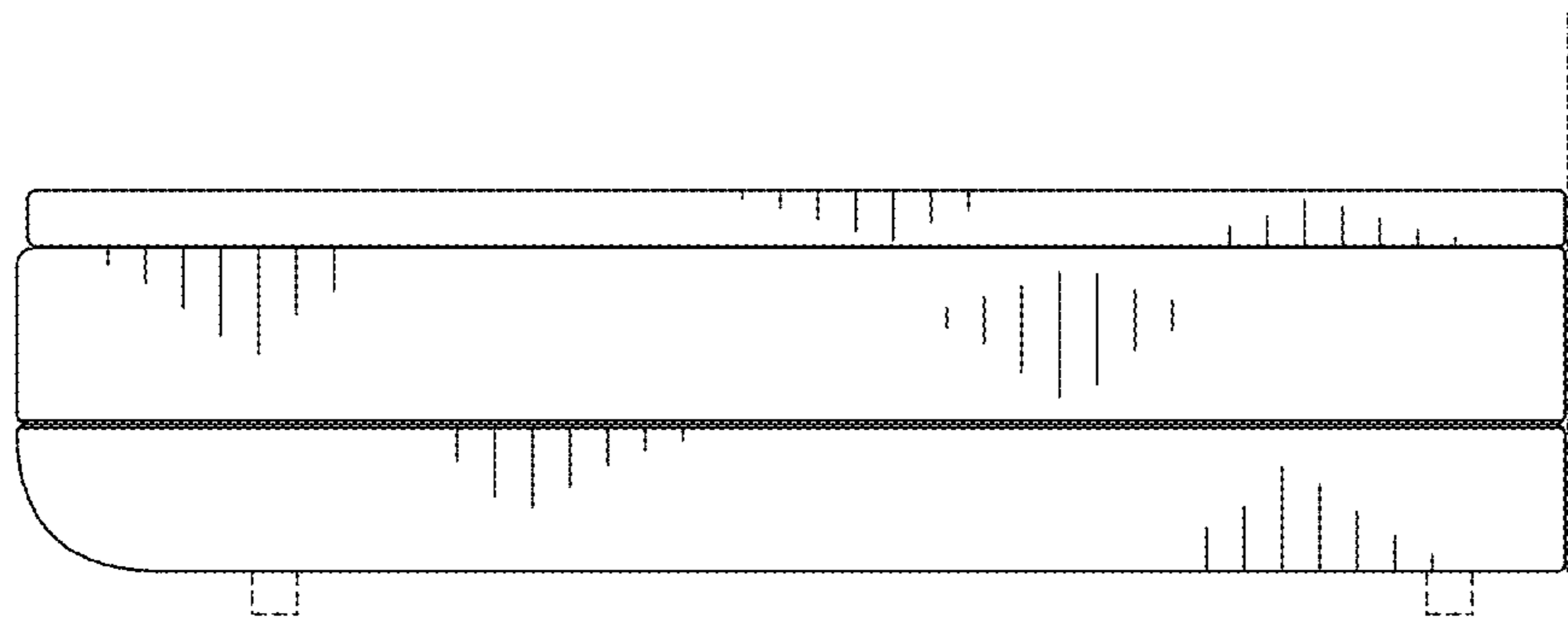


FIG. 14

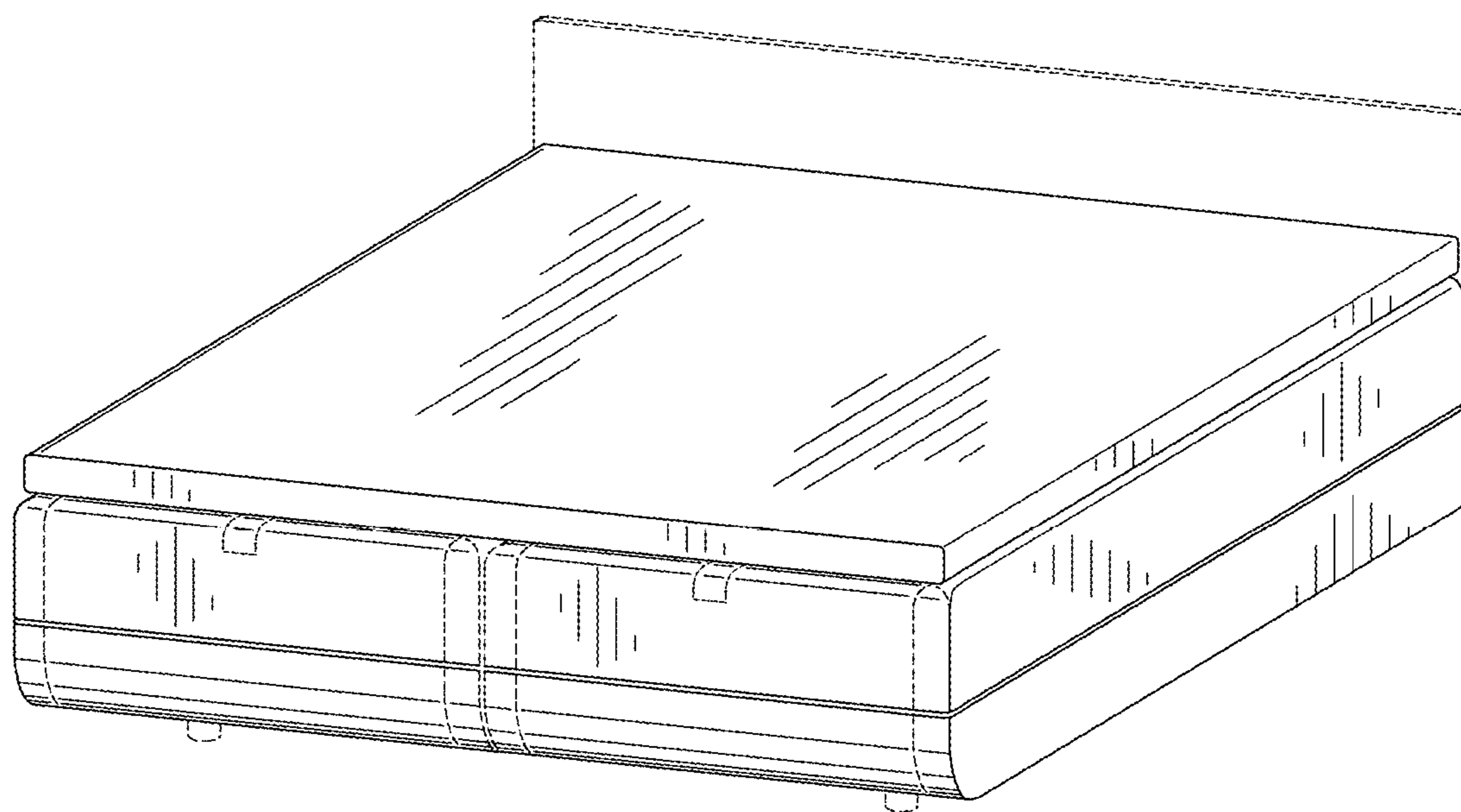


FIG. 15

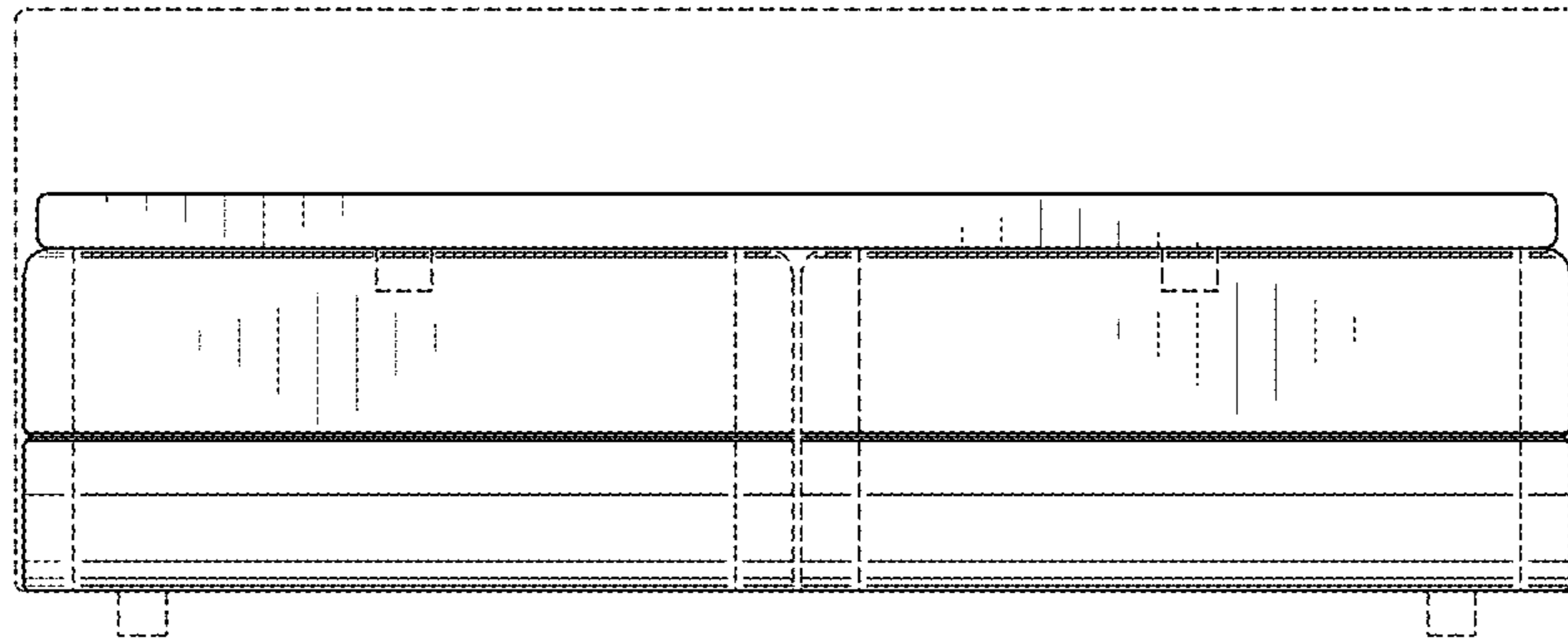


FIG. 16

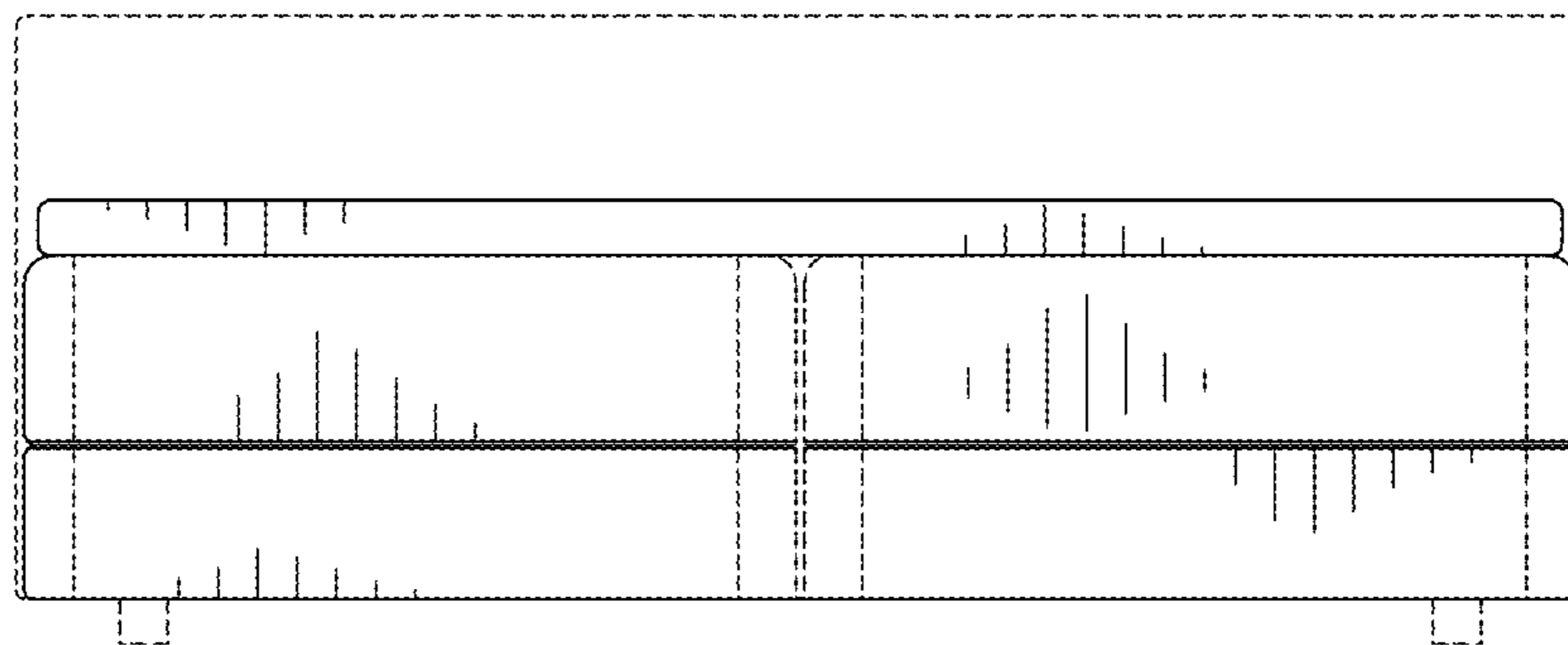


FIG. 17

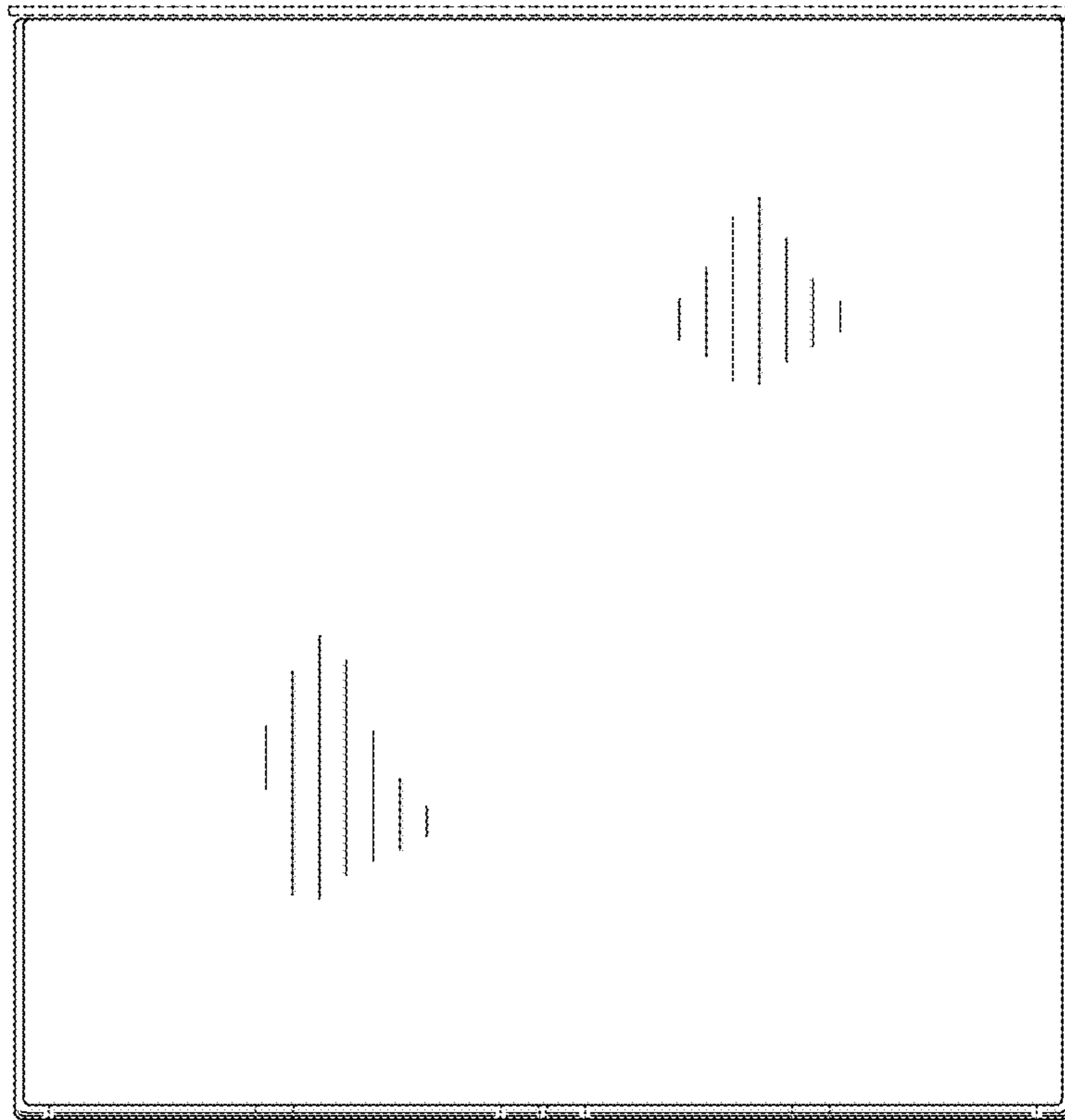


FIG. 18

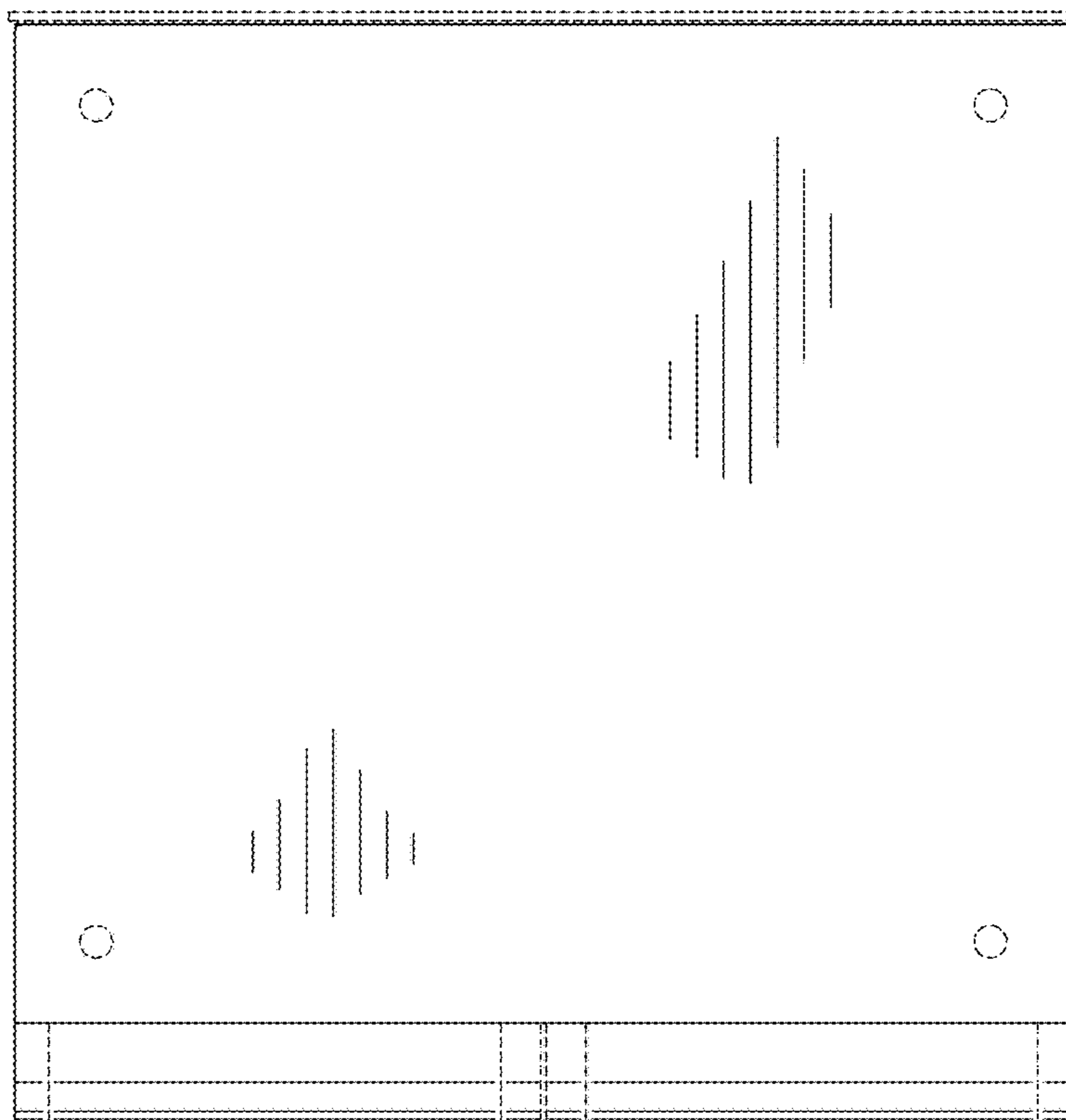


FIG. 19

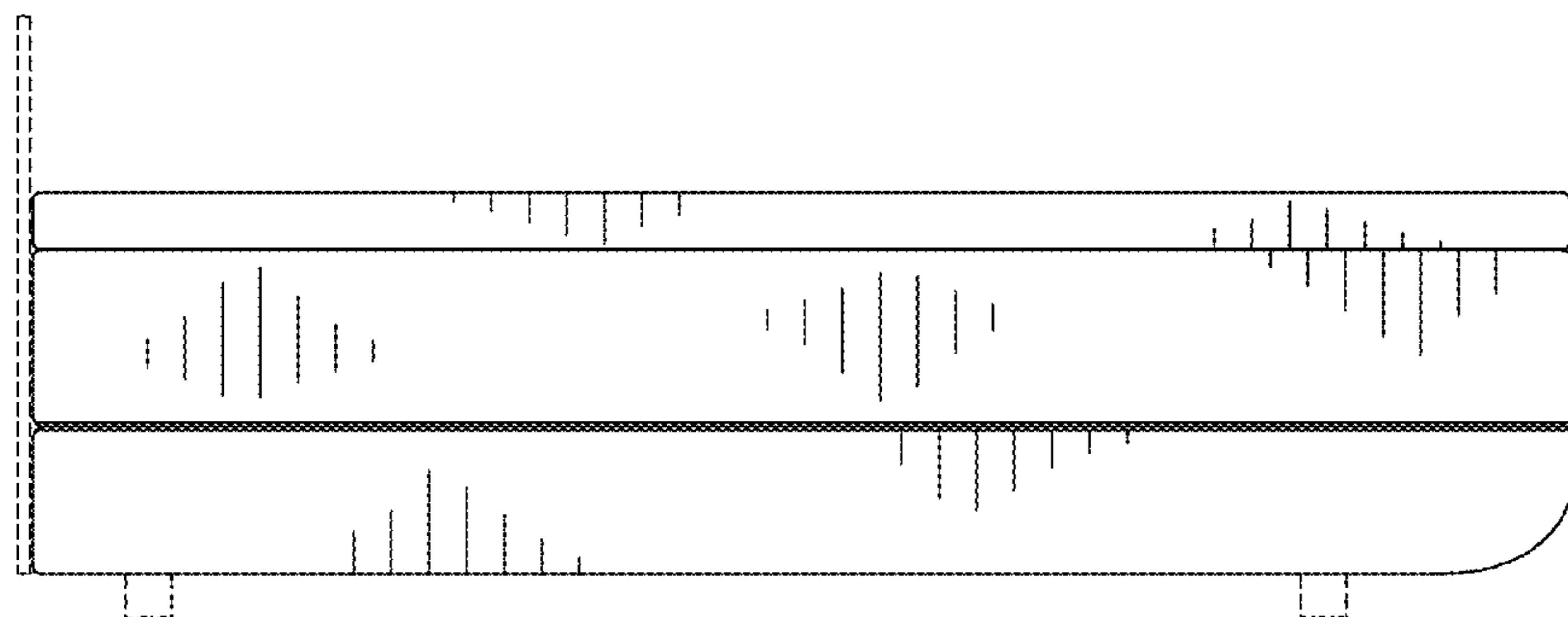


FIG. 20

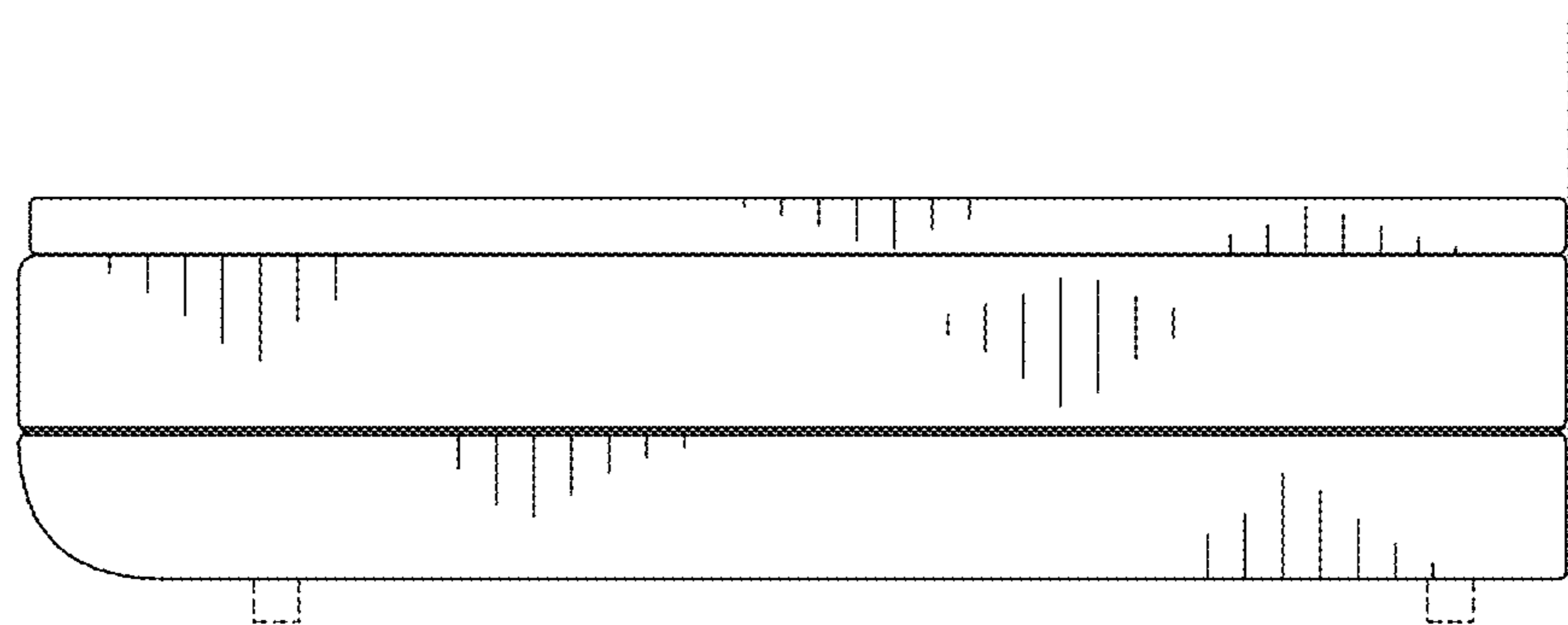


FIG. 21