



US00D794344S

(12) **United States Design Patent**  
**MacAllen et al.**

(10) **Patent No.:** **US D794,344 S**

(45) **Date of Patent:** **\*\* Aug. 15, 2017**

(54) **FLEXIBLE FURNITURE**

(71) Applicant: **molo design, ltd.**, Vancouver (CA)

(72) Inventors: **Todd P. MacAllen**, Vancouver (CA);  
**Stephanie J. Forsythe**, Vancouver (CA)

(73) Assignee: **molo design, ltd.**, Vancouver (CA)

(\*\*) Term: **15 Years**

(21) Appl. No.: **29/527,088**

(22) Filed: **May 15, 2015**

(51) **LOC (10) Cl.** ..... **06-01**

(52) **U.S. Cl.**  
USPC ..... **D6/335**

(58) **Field of Classification Search**  
USPC ..... D6/306, 334, 335, 336, 365, 370, 371,  
D6/373, 374, 375, 376, 379, 380, 381,  
(Continued)

(56) **References Cited**

**U.S. PATENT DOCUMENTS**

- 2,101,836 A \* 12/1937 Benedict ..... B63B 3/68  
156/292
- 2,324,398 A \* 7/1943 Kahr ..... A47G 5/00  
135/119

(Continued)

**OTHER PUBLICATIONS**

The Best Green Designs From ICFE 2014!, posted at Inhabitat.com, posted date May 18, 2014, [online], [site visited Aug. 16, 2016]. Available from Internet, <URL: <http://inhabitat.com/live-the-best-green-designs-from-icff-2014/bench-wall-by-molo/>>.\*

(Continued)

*Primary Examiner* — Thomas Johannes

*Assistant Examiner* — Catherine Ho

(74) *Attorney, Agent, or Firm* — Blake, Cassels & Graydon LLP; Wilfred P. So

(57) **CLAIM**

The ornamental design for flexible furniture, substantially as shown and described.

**DESCRIPTION**

FIG. 1 is a perspective view of the flexible furniture, showing the new design in expanded form.

FIG. 2 is a perspective view of the flexible furniture shown in FIG. 1, in a collapsed form.

FIG. 3 is a front view of the flexible furniture shown in FIG. 1.

FIG. 4 is a top view of the flexible furniture shown in FIG. 1.

FIG. 5 is a bottom view of the flexible furniture shown in FIG. 1.

FIG. 6 is a left side view of the flexible furniture shown in FIG. 1, with the right side view being a mirror image of the left side view.

FIG. 7 is an enlarged fragment of the portion of the flexible furniture illustrated in FIG. 3 and labelled 7.

FIG. 8 is an enlarged fragment of the portion of the flexible furniture shown in FIG. 5 and labelled 8.

FIG. 9 is a perspective view of the flexible furniture shown in FIG. 1, and arranged in an arc configuration.

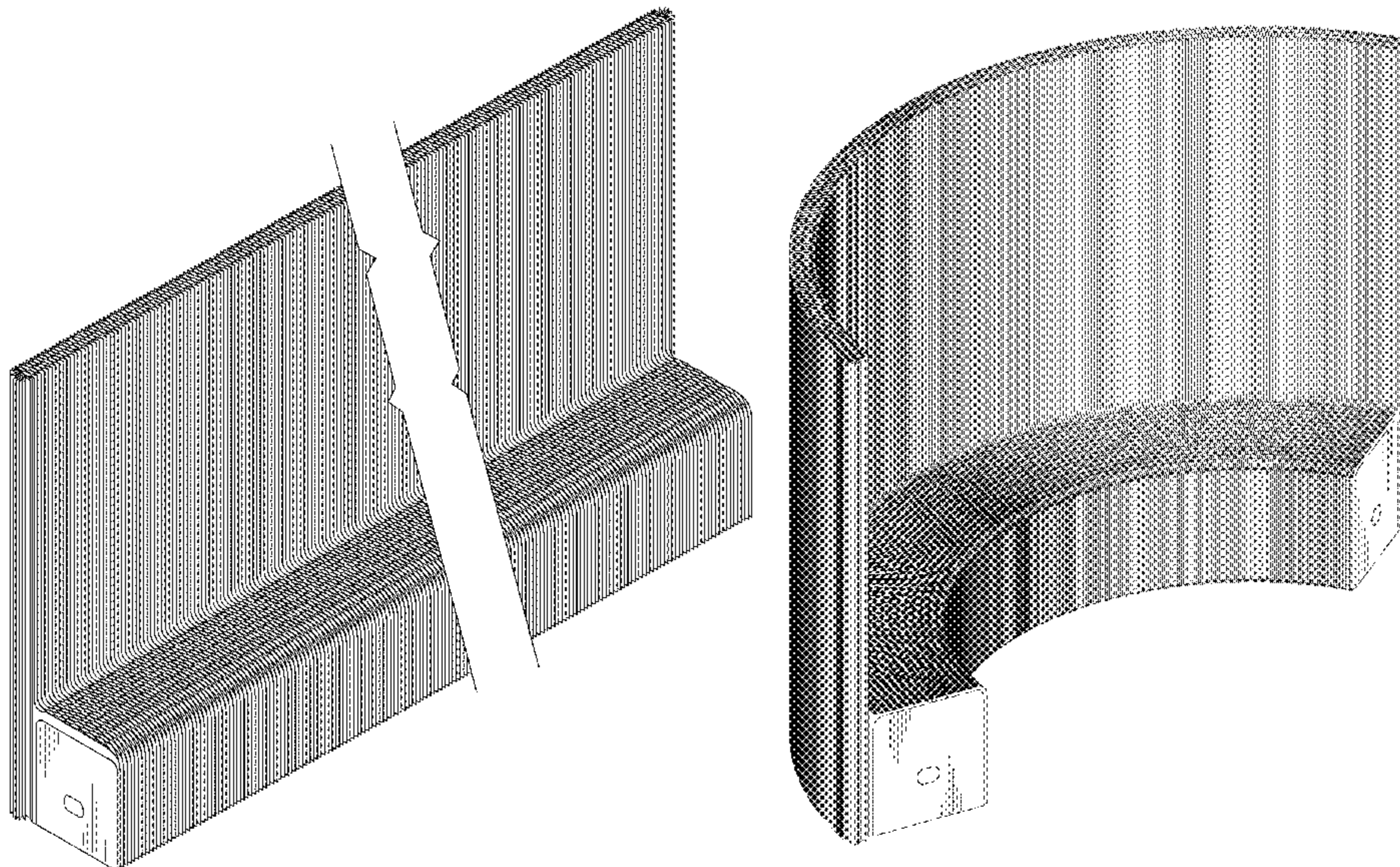
FIG. 10 is a front view of the flexible furniture shown in FIG. 9.

FIG. 11 is a top view of the flexible furniture shown in FIG. 9; and,

FIG. 12 is a bottom view of the flexible furniture shown in FIG. 9.

The article is shown with a symbolic break in its length. The appearance of any portion of the article between the break lines forms no part of the claimed design. The broken lines show portions of the article which form no part of the claimed design.

**1 Claim, 7 Drawing Sheets**



(58) **Field of Classification Search**

USPC .... D6/555, 716, 716.1, 716.2, 716.3, 716.4;  
 D23/365  
 CPC . A47H 5/00; B01D 46/10; A47B 97/00; B60J  
 1/2091; A01G 5/04; A47G 5/00; B64C  
 1/1476; B64C 1/1492; B64C 1/1484;  
 B64C 21/025; E06B 9/32; E06B 9/327;  
 E06B 9/304

See application file for complete search history.

D655,803 S \* 3/2012 Platt ..... D23/365  
 D719,367 S \* 12/2014 Karasek ..... D6/370  
 9,045,215 B2 \* 6/2015 Knowles ..... E06B 9/327  
 D740,042 S \* 10/2015 Murray ..... D6/357  
 9,320,998 B2 \* 4/2016 Gillilan ..... B01D 46/0001  
 D759,195 S \* 6/2016 Tanida ..... D23/209  
 2002/0170434 A1 \* 11/2002 Kawano ..... B01D 39/1692  
 96/11  
 2003/0066423 A1 \* 4/2003 Shah ..... B01D 46/0004  
 95/273  
 2003/0084788 A1 \* 5/2003 Fraser, Jr. .... B01D 39/1623  
 95/285

(56) **References Cited**

U.S. PATENT DOCUMENTS

2,346,824 A \* 4/1944 Cohen ..... A01G 5/04  
 156/197  
 3,170,831 A \* 2/1965 Paige ..... A47G 33/08  
 362/123  
 5,193,601 A \* 3/1993 Corey ..... B31F 1/245  
 156/197  
 6,527,895 B1 \* 3/2003 Palmer ..... E06B 9/262  
 156/193  
 6,764,200 B1 \* 7/2004 Wu Liu ..... A47G 33/0836  
 362/352  
 6,824,221 B1 \* 11/2004 Tiffany, III ..... A47C 4/022  
 297/451.4

OTHER PUBLICATIONS

“Flexible Love” Folding Chair, posted at Youtube.com, posted date Feb. 1, 2007, [online], [site visited Aug. 17, 2016]. Available from Internet, <URL: <https://youtu.be/LbEEXMIhZR0>>.\*  
 Furniture Made from Paper, posted at Youtube.com, posted date Sep. 7, 2011, [online], [site visited Aug. 17, 2016]. Available from Internet, <URL: <https://www.youtube.com/watch?v=P1sO7YXtZVw>>.\*  
 Happy Paper Furniture Customer, posted at Youtube.com, posted date Mar. 13, 2014, [online], [site visited Aug. 17, 2016]. Available from Internet, <URL: <https://youtu.be/yxhZhQSnZbo>>.\*

\* cited by examiner

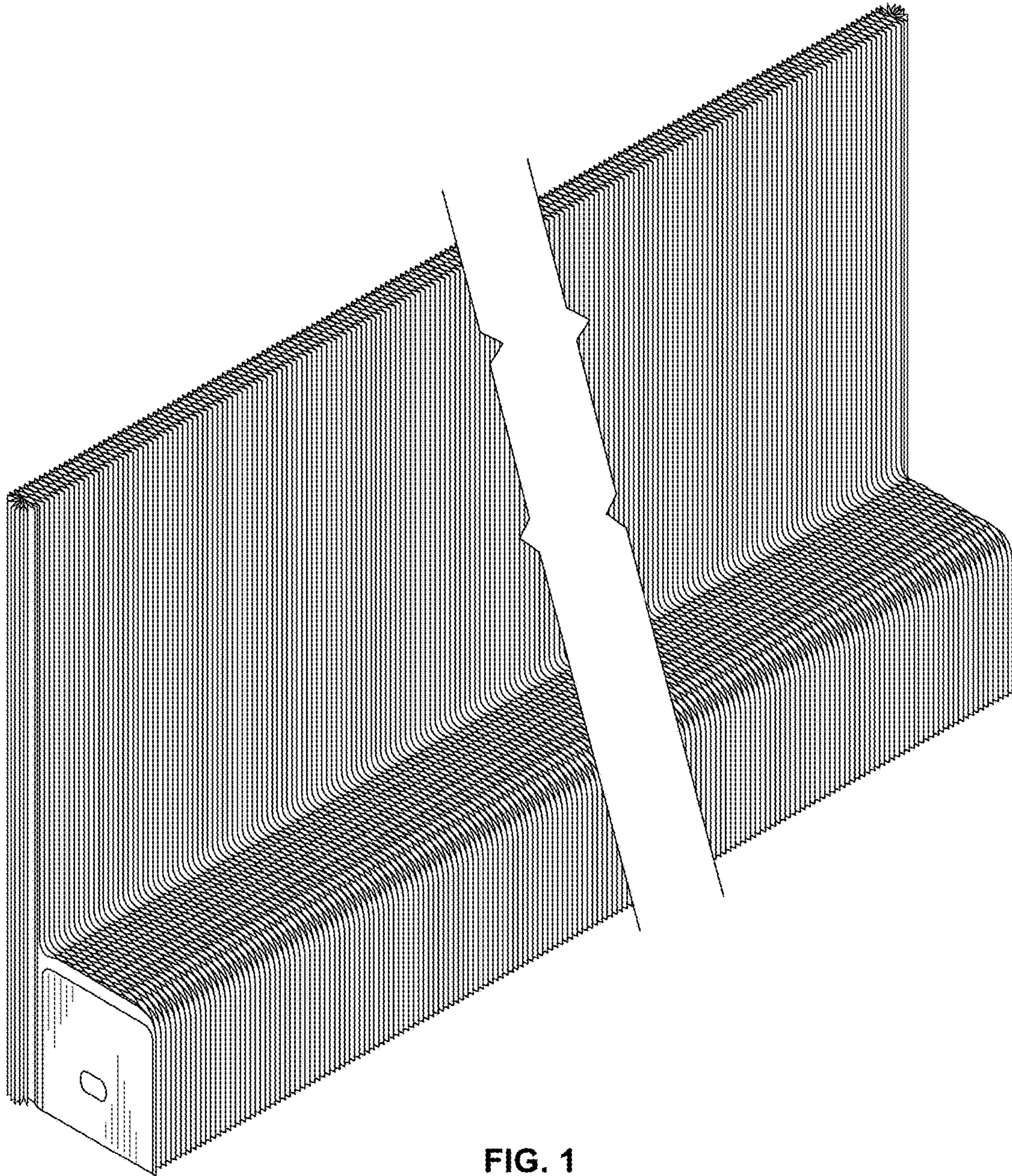


FIG. 1

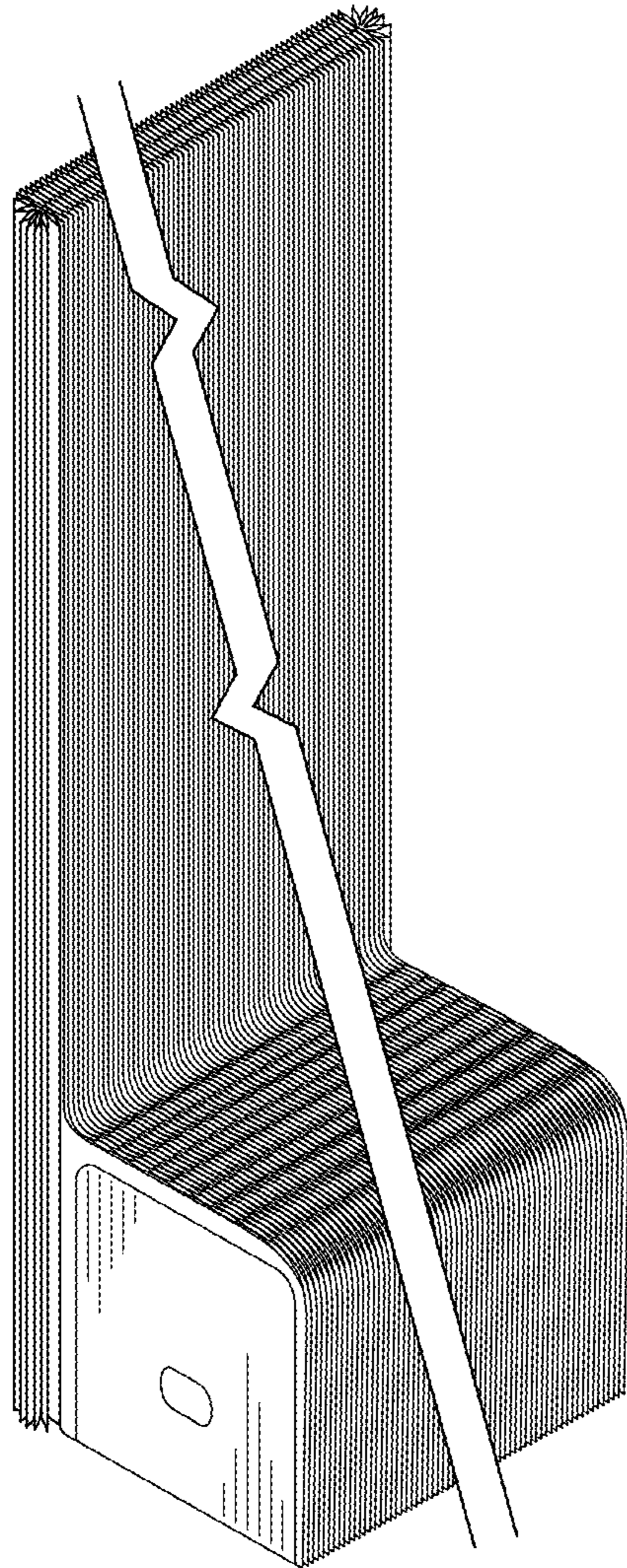


FIG. 2

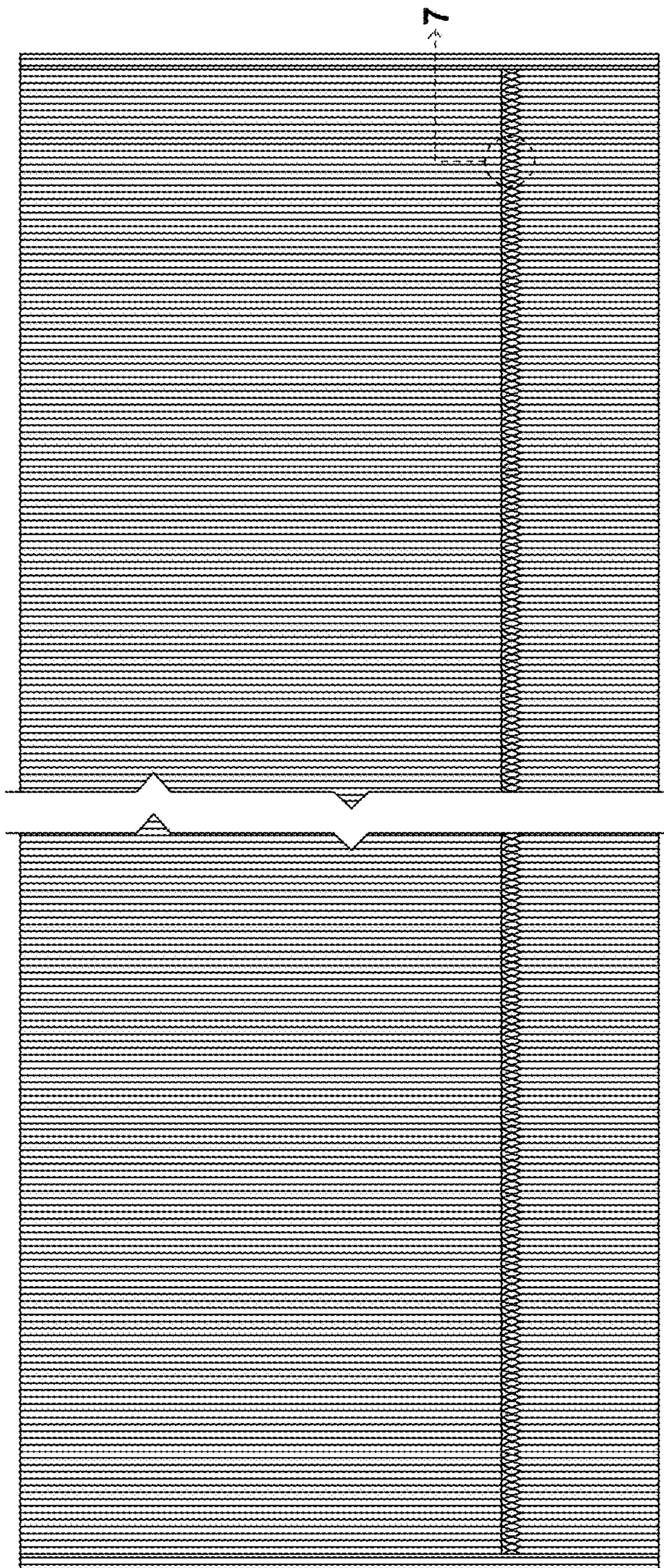


FIG. 3

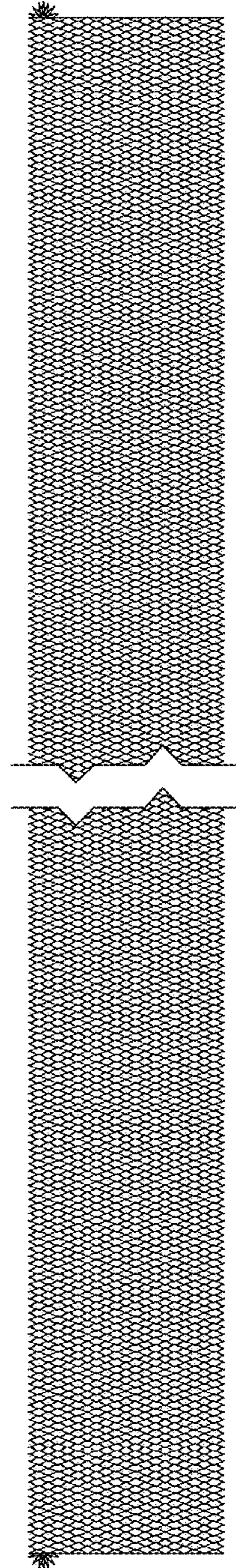


FIG. 4

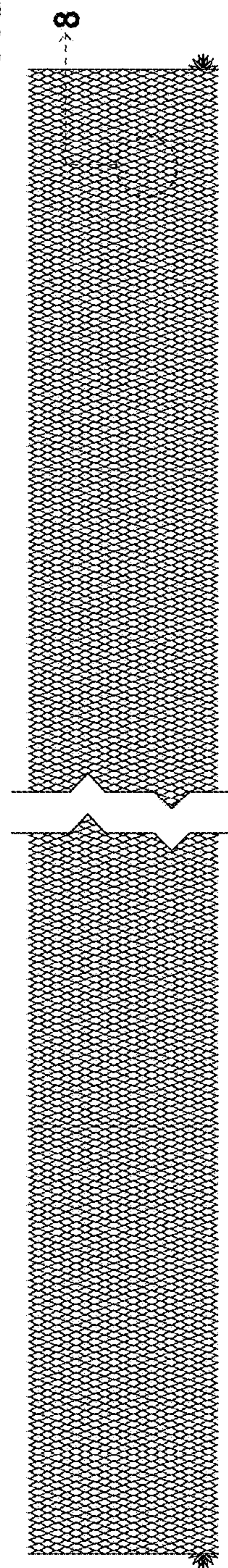


FIG. 5



FIG. 6

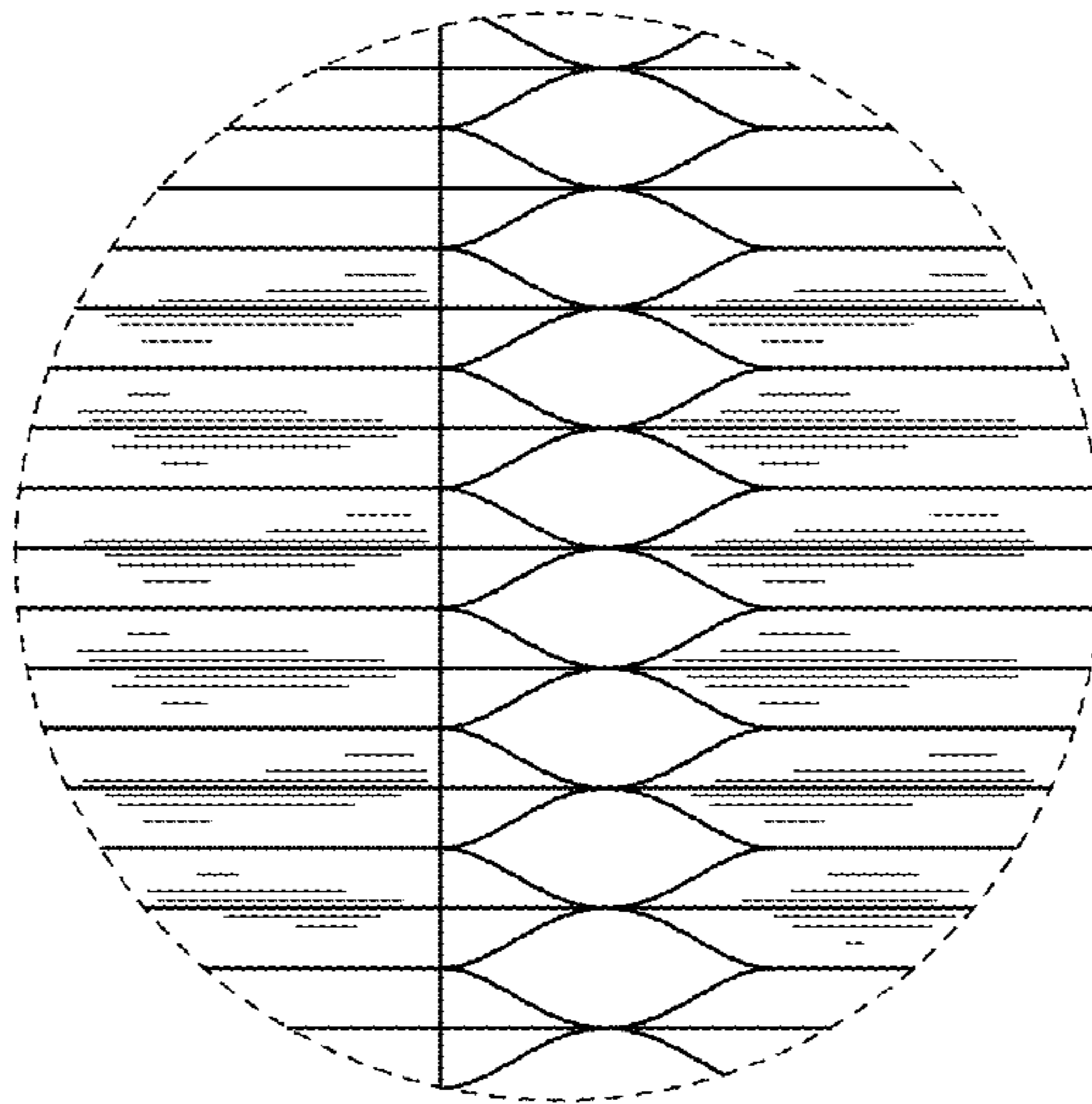


FIG. 7

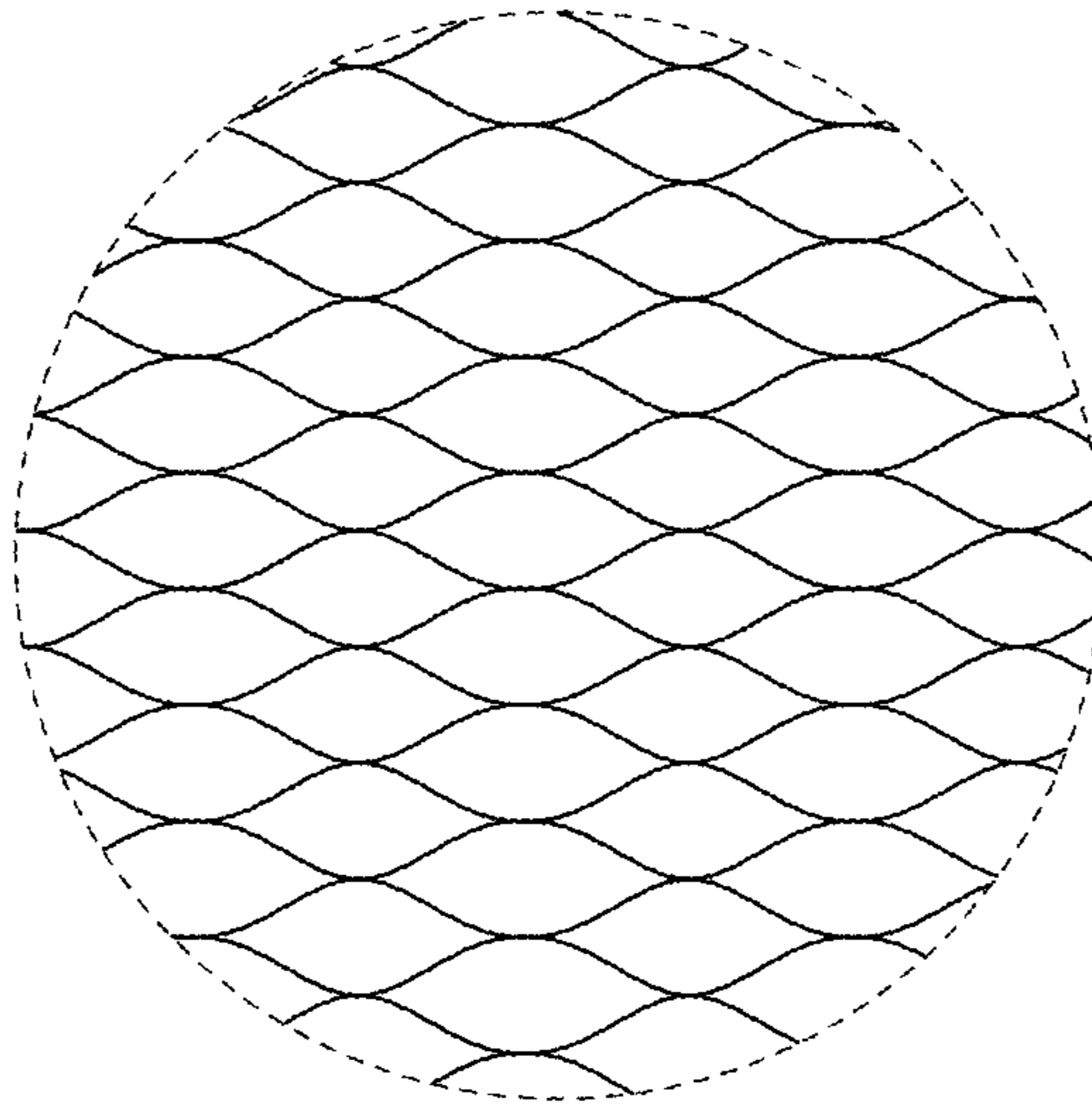


FIG. 8

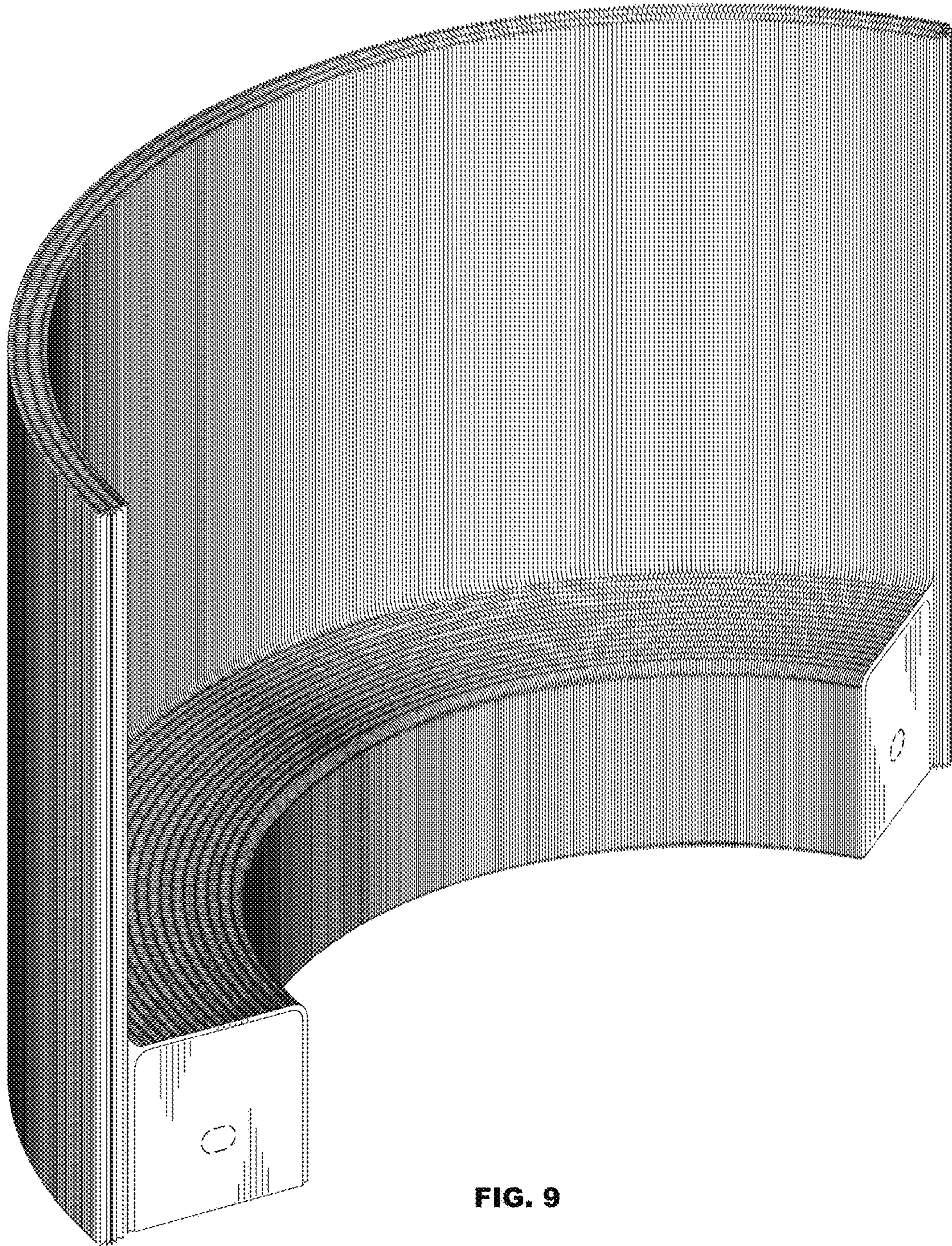
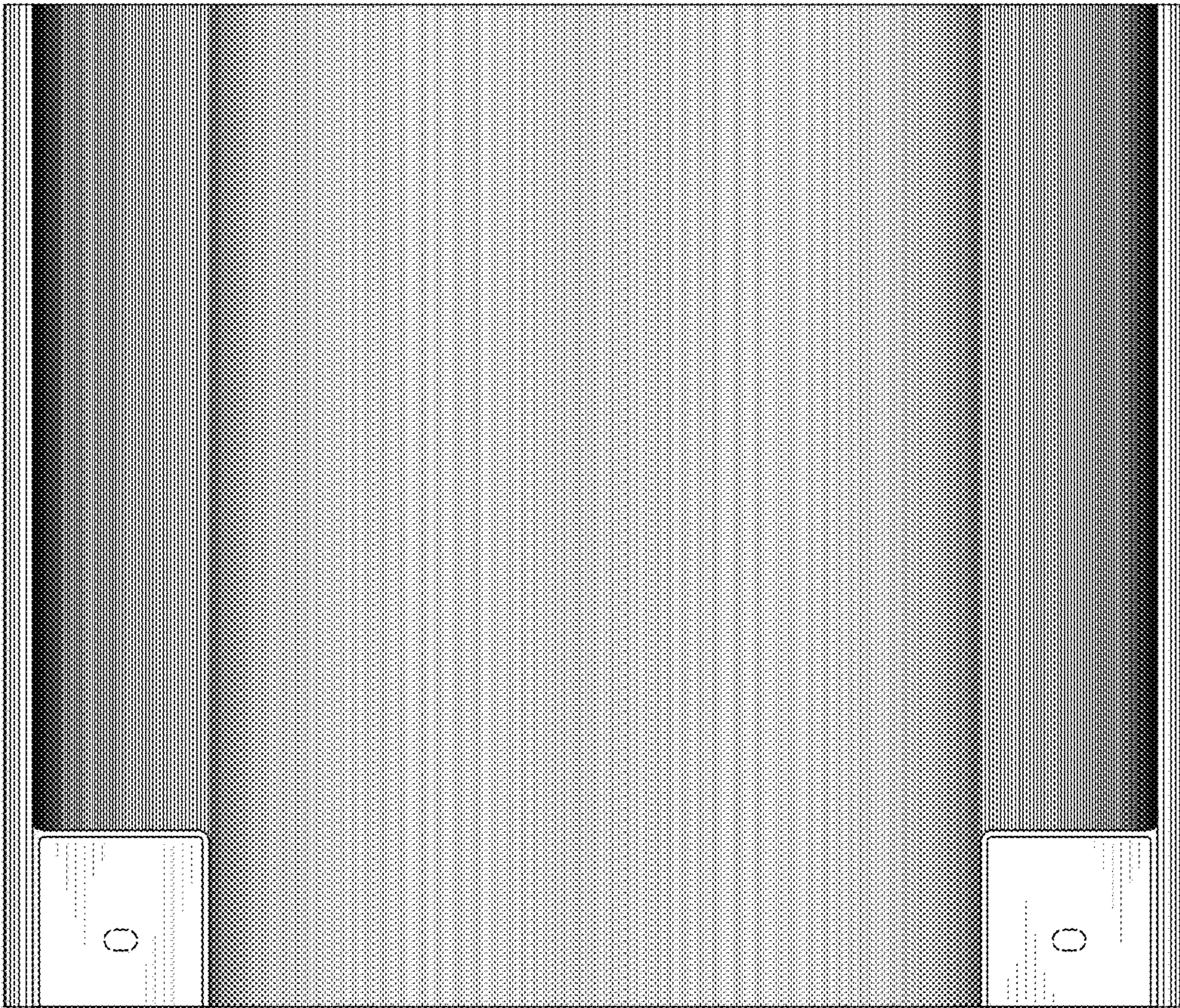
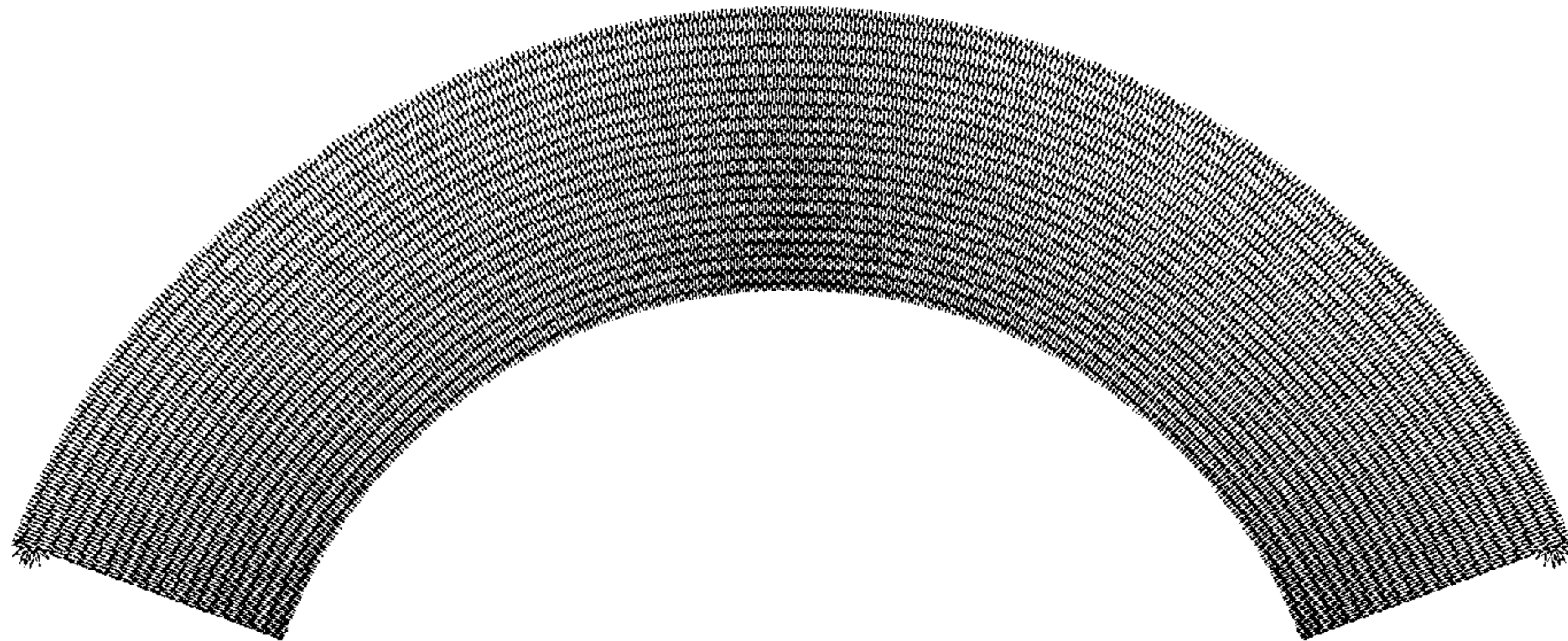


FIG. 9

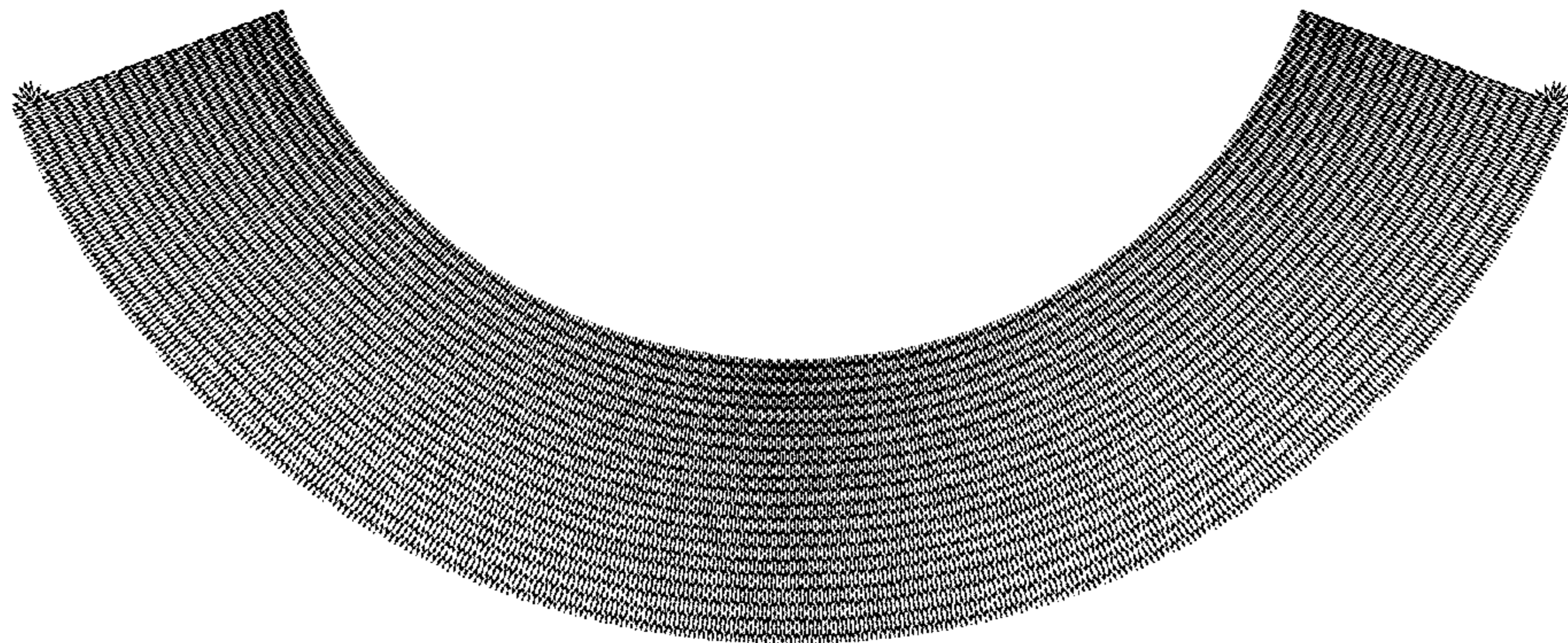


**FIG. 10**





**FIG. 11**



**FIG. 12**

UNITED STATES PATENT AND TRADEMARK OFFICE  
**CERTIFICATE OF CORRECTION**

PATENT NO. : D794,344 S  
APPLICATION NO. : 29/527088  
DATED : August 15, 2017  
INVENTOR(S) : Todd P. MacAllen and Stephanie J. Forsythe

Page 1 of 9

It is certified that error appears in the above-identified patent and that said Letters Patent is hereby corrected as shown below:

On the Title Page

Replace Title Page with the Title Page on the attached sheet.

In the Drawings

Delete Figures 1 to 12 and replace with Figures 1 to 12 shown on the attached sheets.

Signed and Sealed this  
Nineteenth Day of December, 2017



Joseph Matal

*Performing the Functions and Duties of the  
Under Secretary of Commerce for Intellectual Property and  
Director of the United States Patent and Trademark Office*

(12) **United States Design Patent** (10) **Patent No.:** **US D794,344 S**  
**MacAllen et al.** (45) **Date of Patent:** **\*\* Aug. 15, 2017**

(54) **FLEXIBLE FURNITURE**

(71) Applicant: **molo design, ltd.**, Vancouver (CA)  
 (72) Inventors: **Todd P. MacAllen**, Vancouver (CA);  
**Stephanic J. Forsythe**, Vancouver (CA)  
 (73) Assigner: **molo design, ltd.**, Vancouver (CA)  
 (\*\*) Term: **15 Years**

(21) Appl. No.: **29/527,088**  
 (22) Filed: **May 15, 2015**  
 (51) **LOC (10) Cl.** ..... **06-01**  
 (52) **U.S. CL**  
 USPC ..... **D6/335**  
 (58) **Field of Classification Search**  
 USPC ..... **D6/305, 334, 335, 336, 365, 370, 371,**  
**D6/373, 374, 375, 376, 379, 380, 381,**  
 (Continued)

(56) **References Cited**  
**U.S. PATENT DOCUMENTS**  
 2,101,836 A \* 12/1937 Benedict ..... B63B 3/68  
 156/292  
 2,324,398 A \* 7/1943 Kahr ..... A47G 5/00  
 135/119  
 (Continued)

**OTHER PUBLICATIONS**  
 The Best Green Designs From ICFF 2014, posted at Inhabitat.com, posted date May 18, 2014, [online], [site visited Aug. 16, 2016]. Available from Internet. <URL: <http://inhabitat.com/live-the-best-green-designs-from-icff-2014/bench-wall-by-molo/>>.\*  
 (Continued)

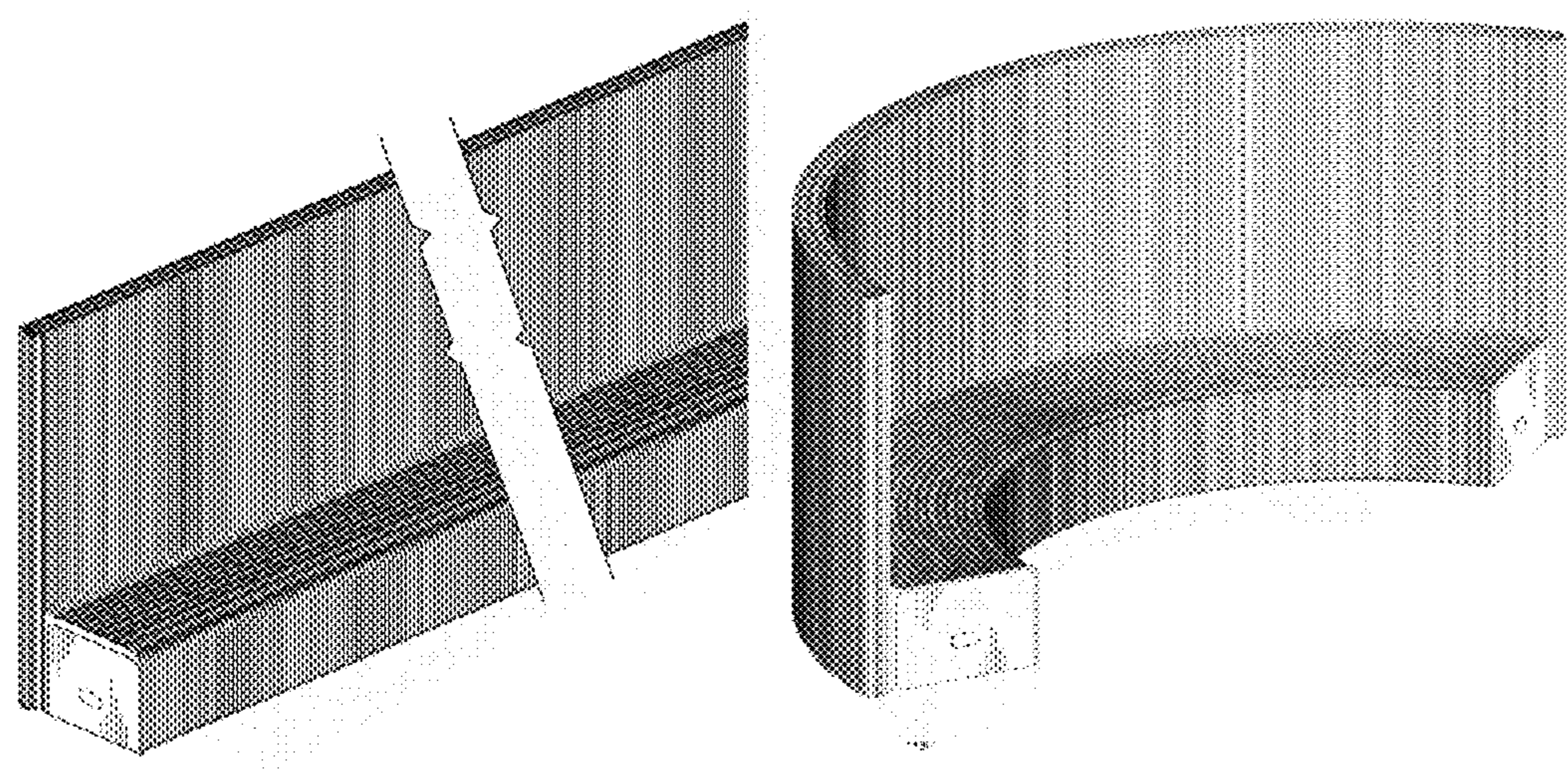
*Primary Examiner* Thomas Johannes  
*Assistant Examiner* Catherine Ho

(74) *Attorney, Agent, or Firm* Blake, Cassels & Graydon LLP; Wilfred P. So

(57) **CLAIM**  
 The ornamental design for flexible furniture, substantially as shown and described.

**DESCRIPTION**  
 FIG. 1 is a perspective view of the flexible furniture, showing the new design in expanded form.  
 FIG. 2 is a perspective view of the flexible furniture shown in FIG. 1, in a collapsed form.  
 FIG. 3 is a front view of the flexible furniture shown in FIG. 1.  
 FIG. 4 is a top view of the flexible furniture shown in FIG. 1.  
 FIG. 5 is a bottom view of the flexible furniture shown in FIG. 1.  
 FIG. 6 is a left side view of the flexible furniture shown in FIG. 1, with the right side view being a mirror image of the left side view.  
 FIG. 7 is an enlarged fragment of the portion of the flexible furniture illustrated in FIG. 3 and labelled 7.  
 FIG. 8 is an enlarged fragment of the portion of the flexible furniture shown in FIG. 5 and labelled 8.  
 FIG. 9 is a perspective view of the flexible furniture shown in FIG. 1, and arranged in an arc configuration.  
 FIG. 10 is a front view of the flexible furniture shown in FIG. 9.  
 FIG. 11 is a top view of the flexible furniture shown in FIG. 9; and,  
 FIG. 12 is a bottom view of the flexible furniture shown in FIG. 9.  
 The article is shown with a symbolic break in its length. The appearance of any portion of the article between the break lines forms no part of the claimed design. The broken lines show portions of the article which form no part of the claimed design.

**1 Claim, 7 Drawing Sheets**



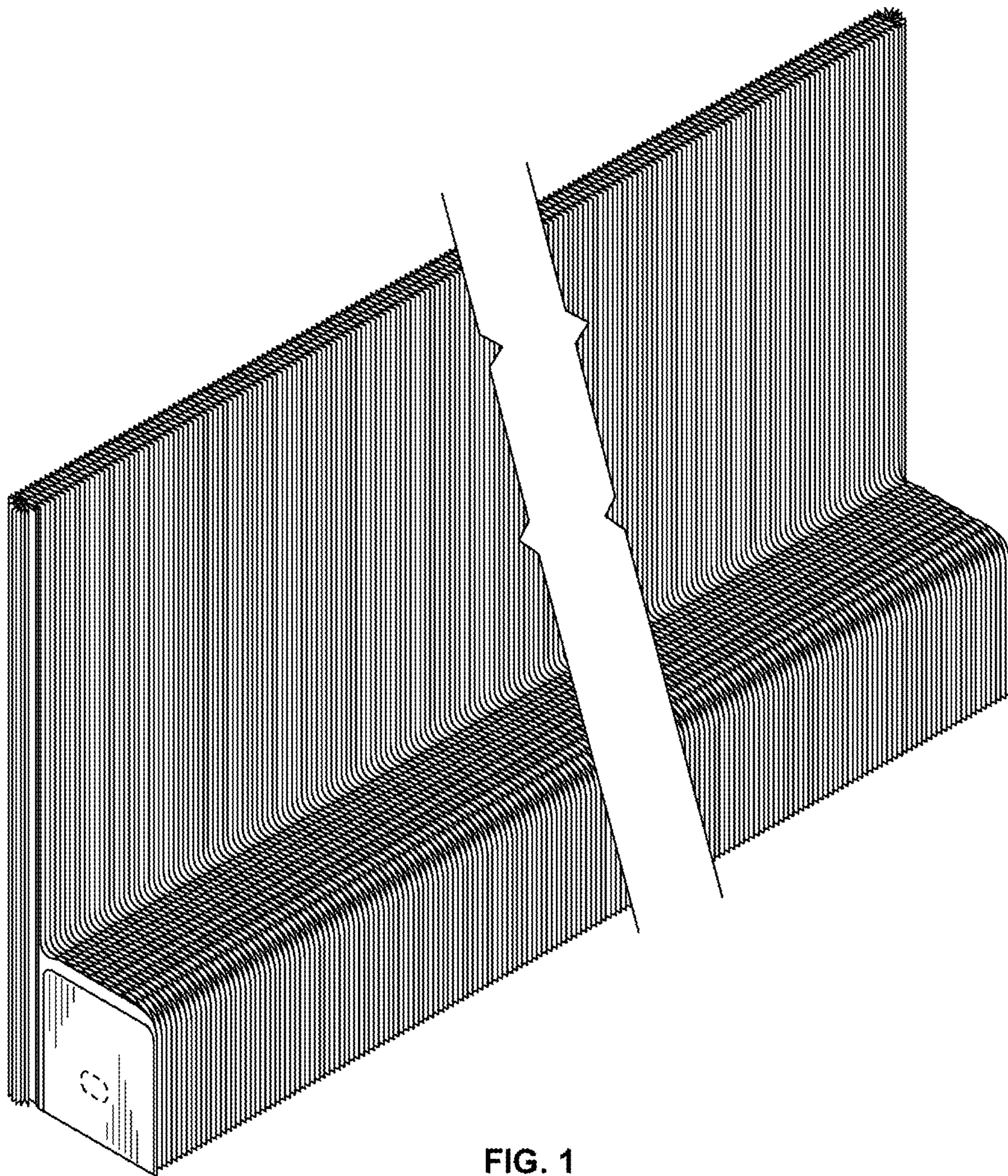


FIG. 1

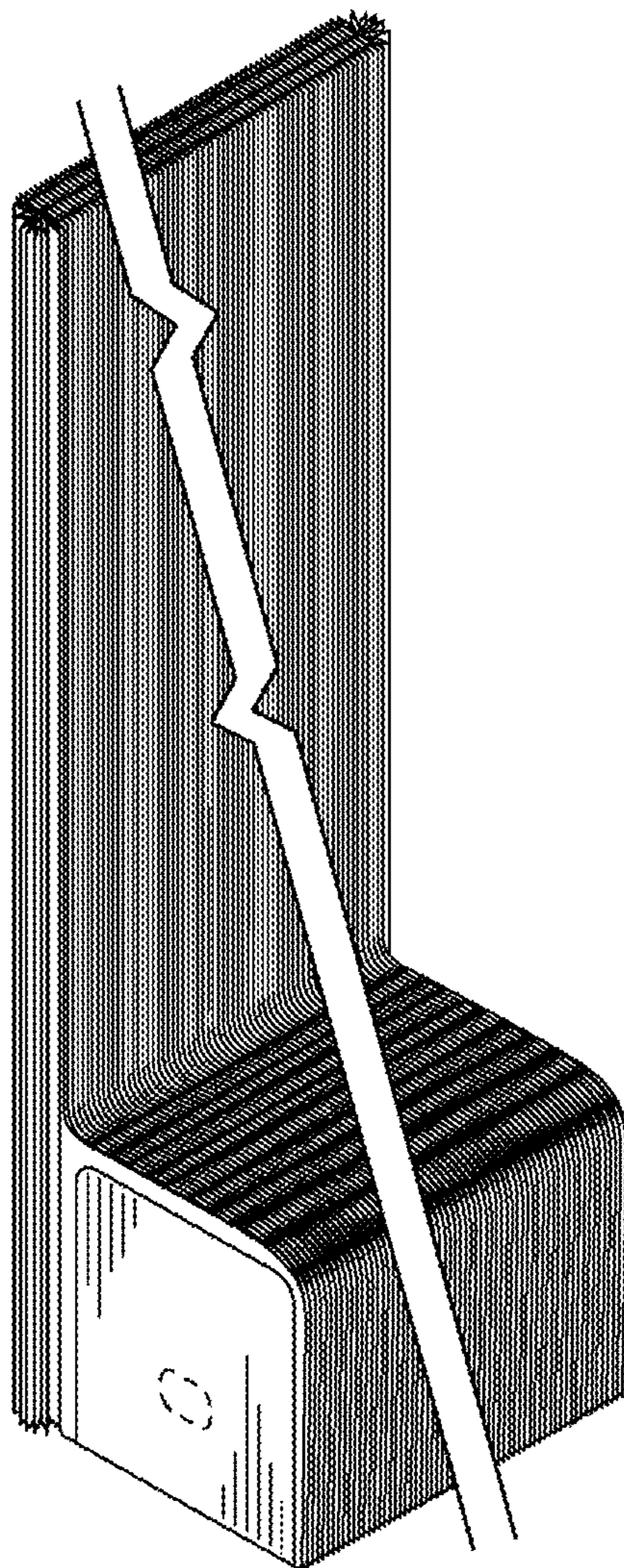


FIG. 2

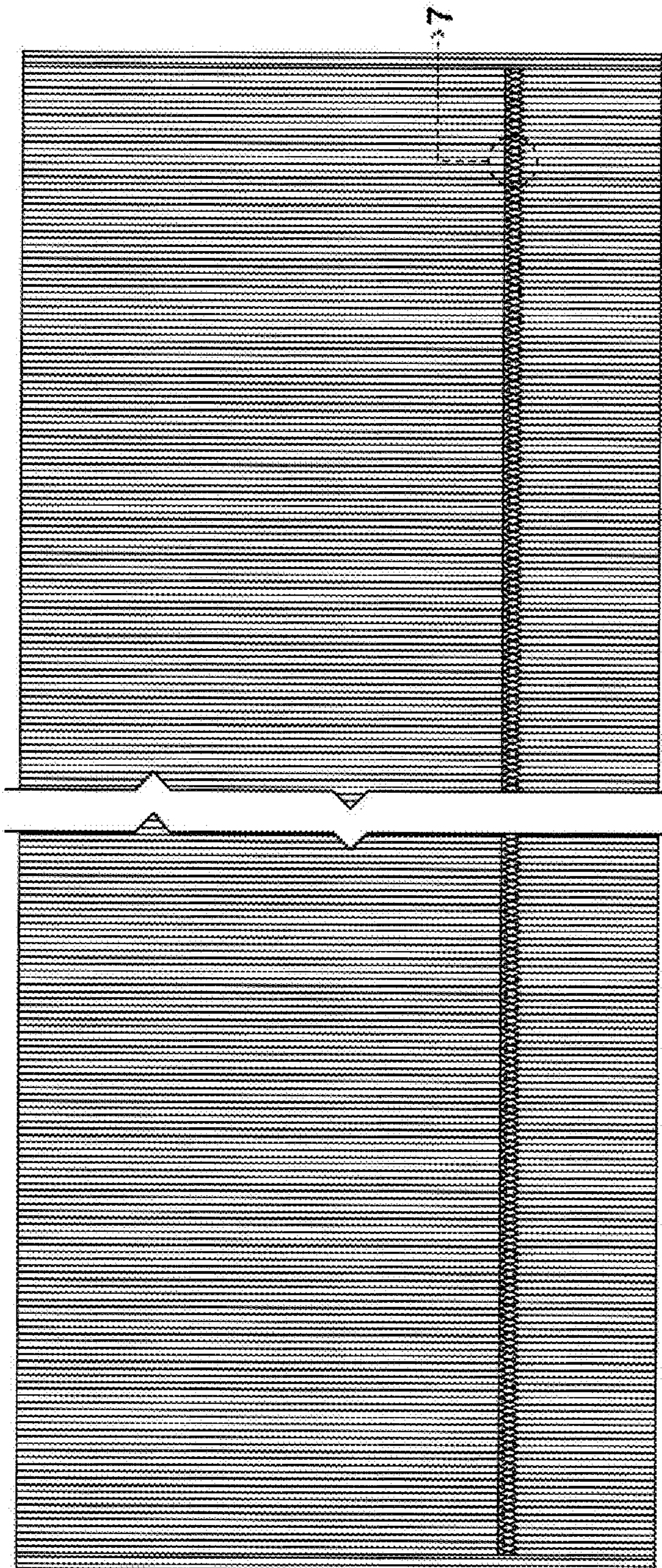


FIG. 3

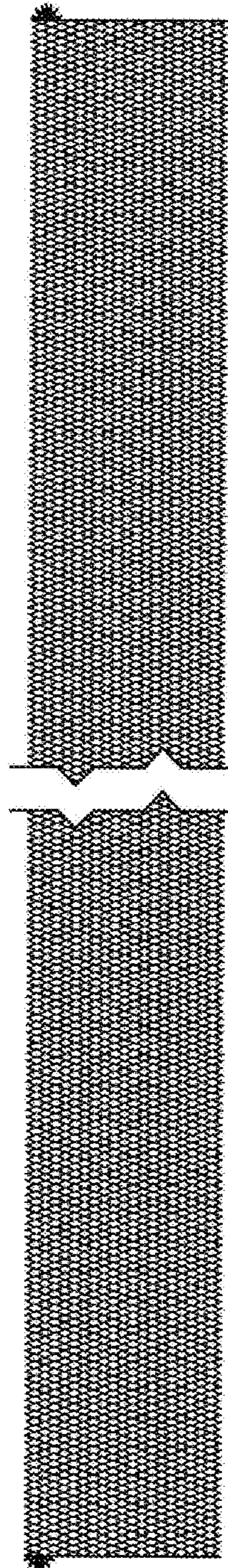


FIG. 4

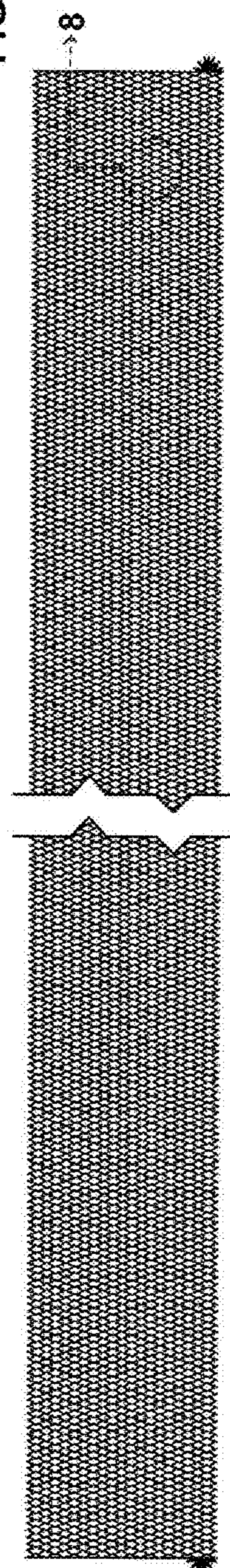


FIG. 5

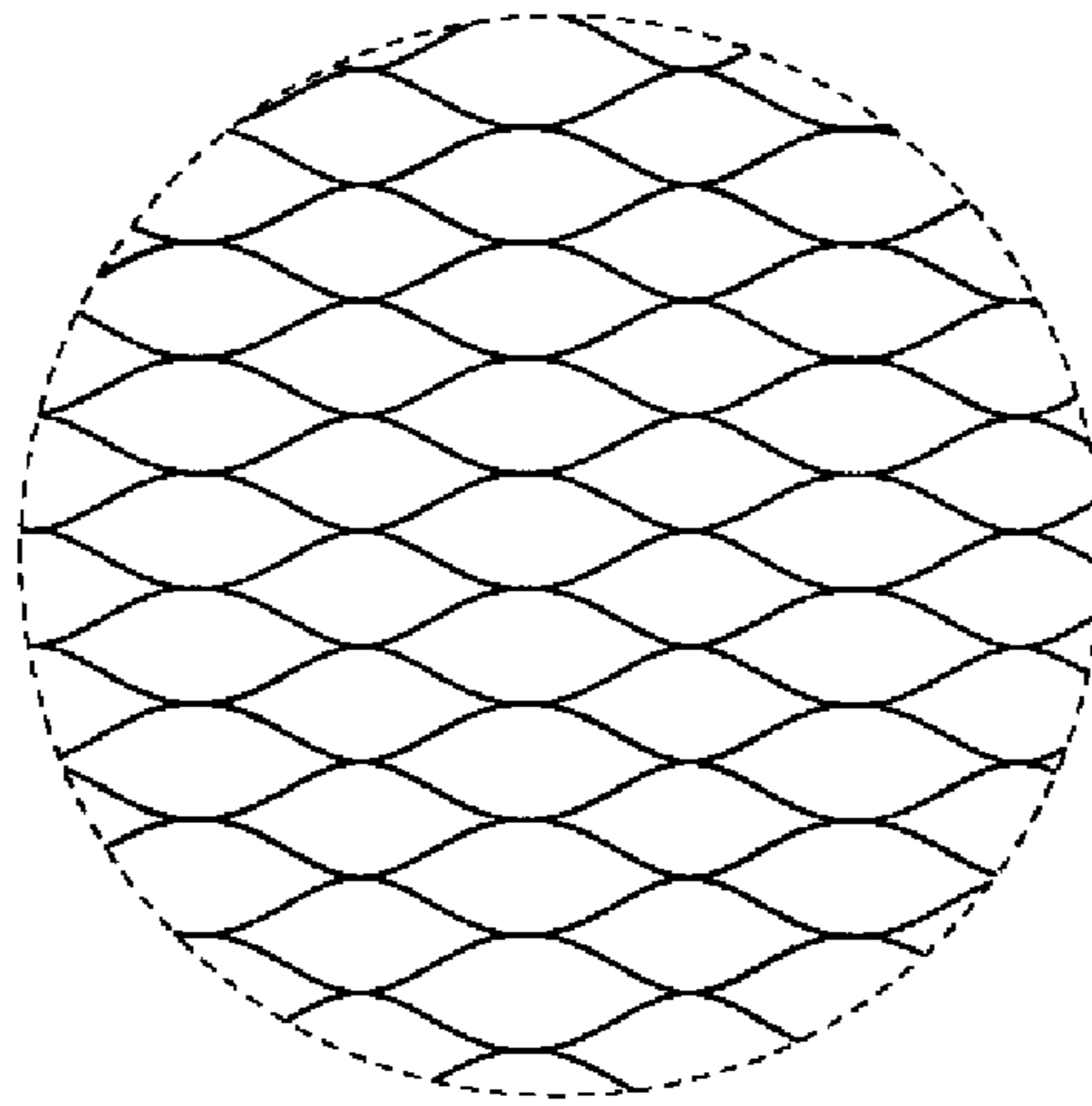


FIG. 8

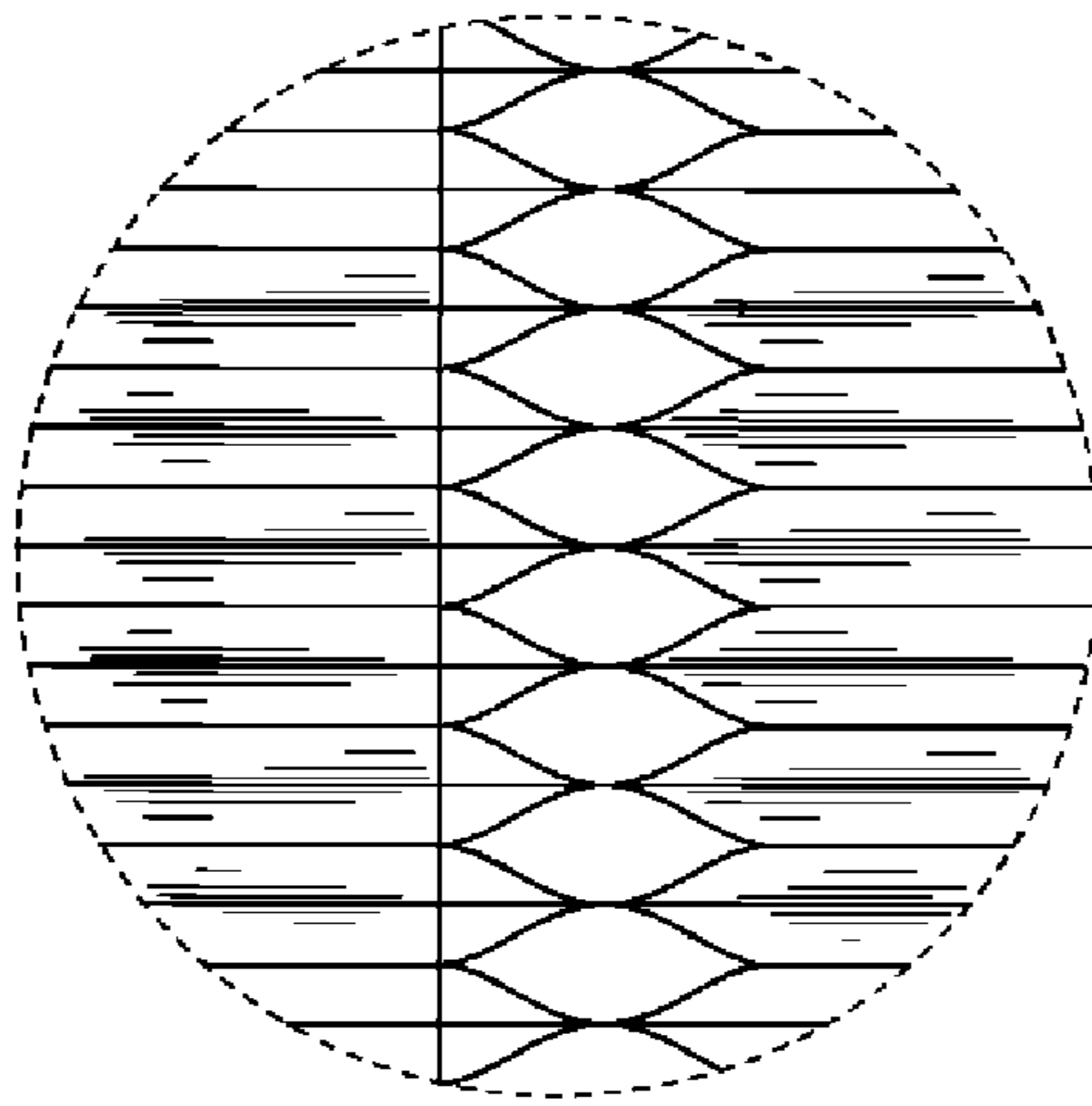


FIG. 7

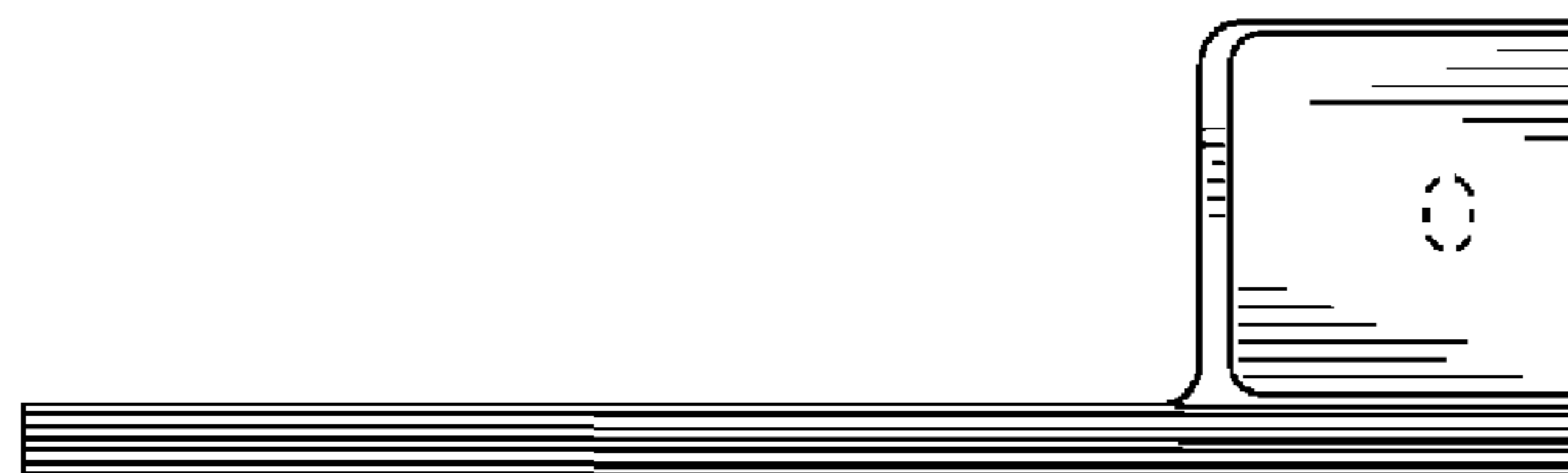
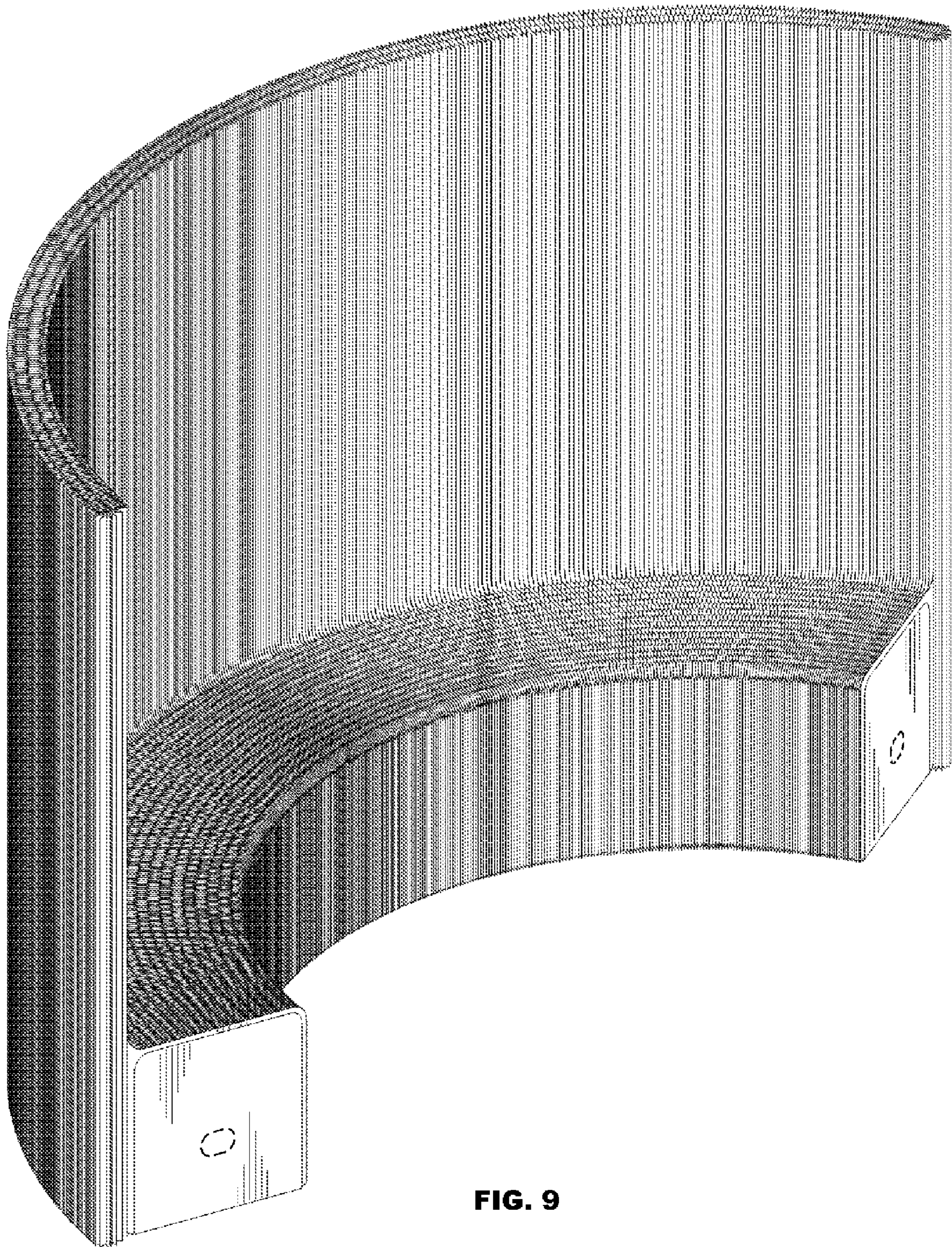
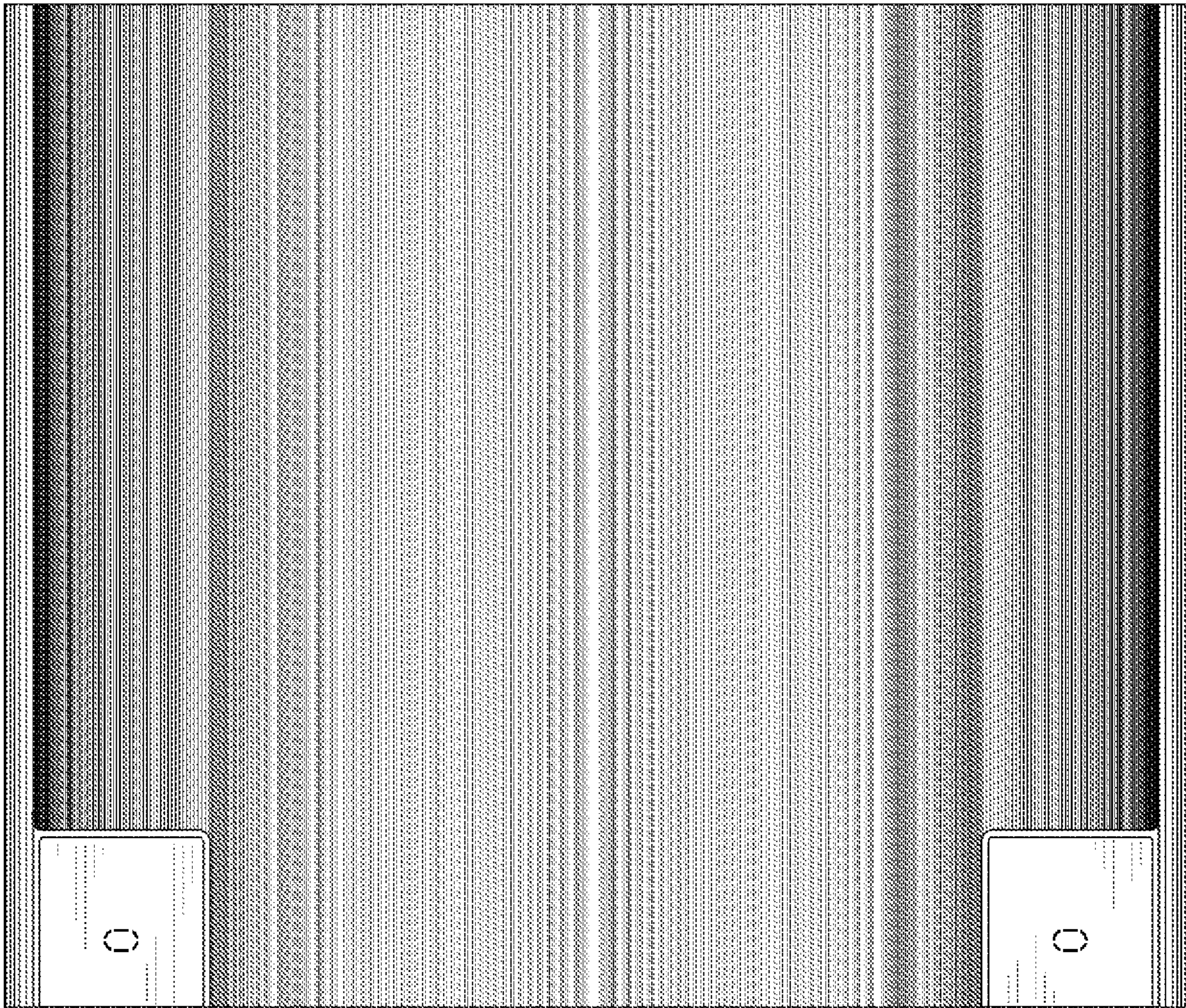


FIG. 6

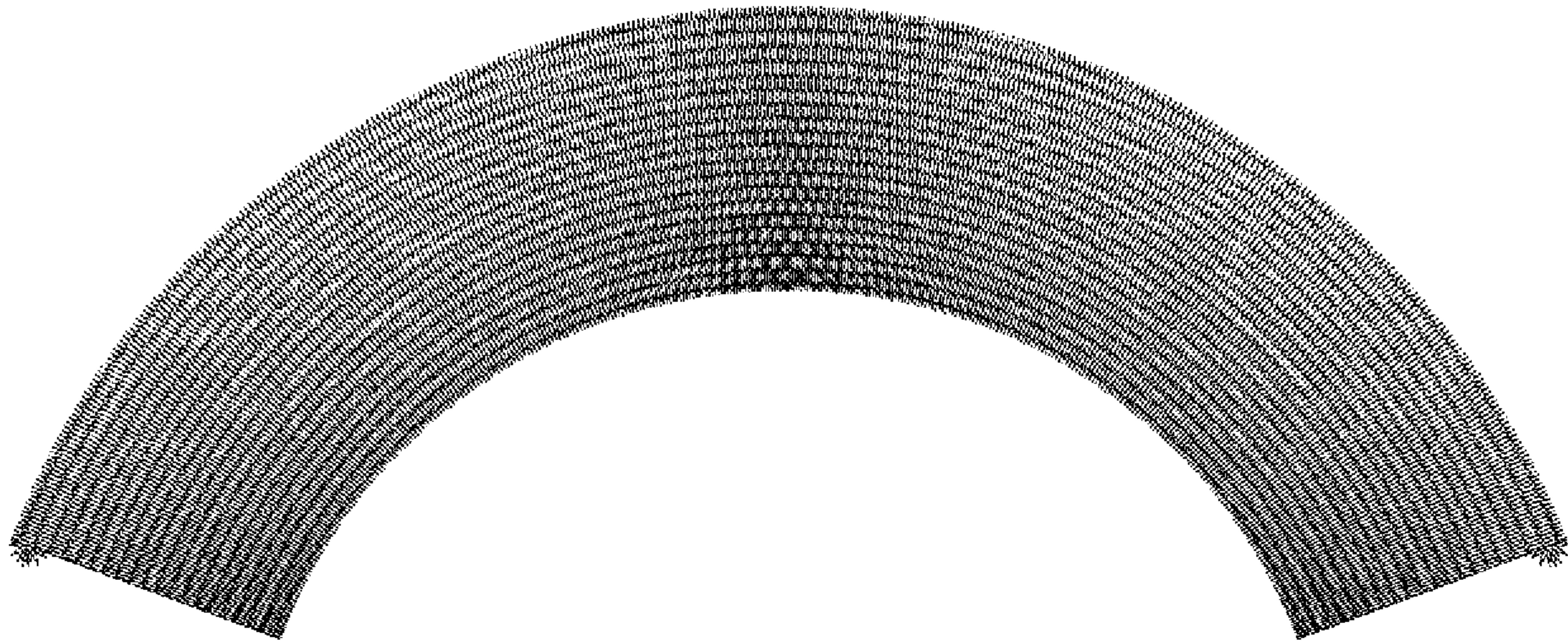


**FIG. 9**

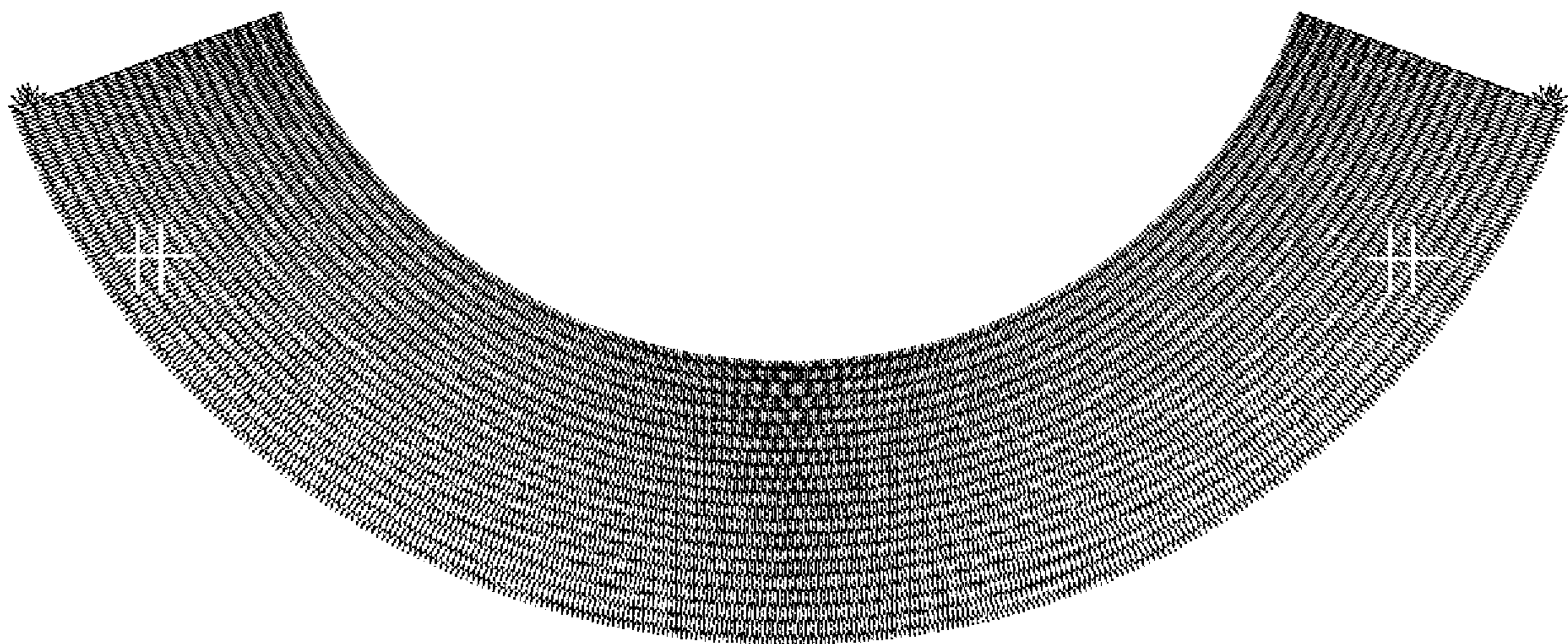




**FIG. 10**



**FIG. 11**



**FIG. 12**

UNITED STATES PATENT AND TRADEMARK OFFICE  
**CERTIFICATE OF CORRECTION**

PATENT NO. : D794,344 S  
APPLICATION NO. : 29/527088  
DATED : August 15, 2017  
INVENTOR(S) : Todd P. MacAllen and Stephanie J. Forsythe

Page 1 of 9

It is certified that error appears in the above-identified patent and that said Letters Patent is hereby corrected as shown below:

On the Title Page

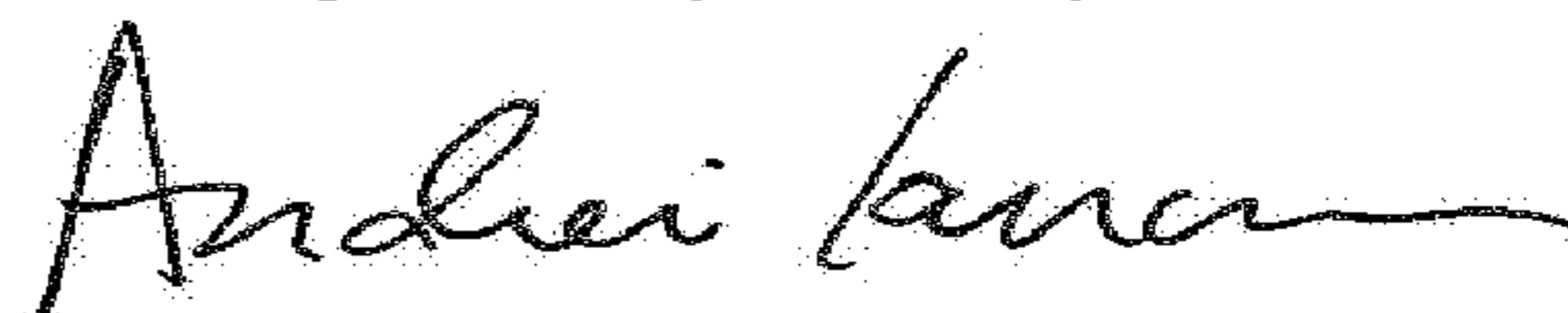
Replace Title Page with the Title Page on the attached sheet.

In the Drawings

Delete Figures 1 to 12 and replace with Figures 1 to 12 shown on the attached sheets.

This certificate supersedes the Certificate of Correction issued December 19, 2017.

Signed and Sealed this  
Eighth Day of May, 2018



Andrei Iancu  
*Director of the United States Patent and Trademark Office*

(12) **United States Design Patent** (10) **Patent No.:** **US D794,344 S**  
**MacAllen et al.** (45) **Date of Patent:** **\*\* Aug. 15, 2017**

(54) **FLEXIBLE FURNITURE**  
 (71) Applicant: **molo design, Ltd., Vancouver (CA)**  
 (72) Inventors: **Todd E. MacAllen, Vancouver (CA);  
 Stephanie J. Forsythe, Vancouver (CA)**  
 (73) Assignee: **molo design, Ltd., Vancouver (CA)**  
 (\*\*) Term: **15 Years**  
 (21) Appl. No.: **29/527,088**  
 (22) Filed: **May 15, 2015**  
 (51) **LOC (10) Cl.** ..... **06-01**  
 (52) **U.S. CL**  
 USPC ..... **D6/335**  
 (58) **Field of Classification Search**  
 USPC ..... **D6/306, 334, 335, 336, 365, 370, 371,  
 D6/373, 374, 375, 376, 379, 380, 381,  
 (Continued)**

(56) **References Cited**  
**U.S. PATENT DOCUMENTS**  
 2,101,836 A \* 12/1937 Besedier ..... B63B 3/68  
 156/297  
 2,324,398 A \* 7/1943 Kahr ..... A47G 5/00  
 135/119  
 (Continued)

**OTHER PUBLICATIONS**  
 The Best Green Designs From ICFF 2014, posted at [inhabitat.com](http://inhabitat.com),  
 posted date May 18, 2014, [online], [site visited Aug. 16, 2016].  
 Available from Internet. <URL: <http://inhabitat.com/live-the-best-green-designs-from-icff-2014/bench-wall-by-molo/>>.\*  
 (Continued)

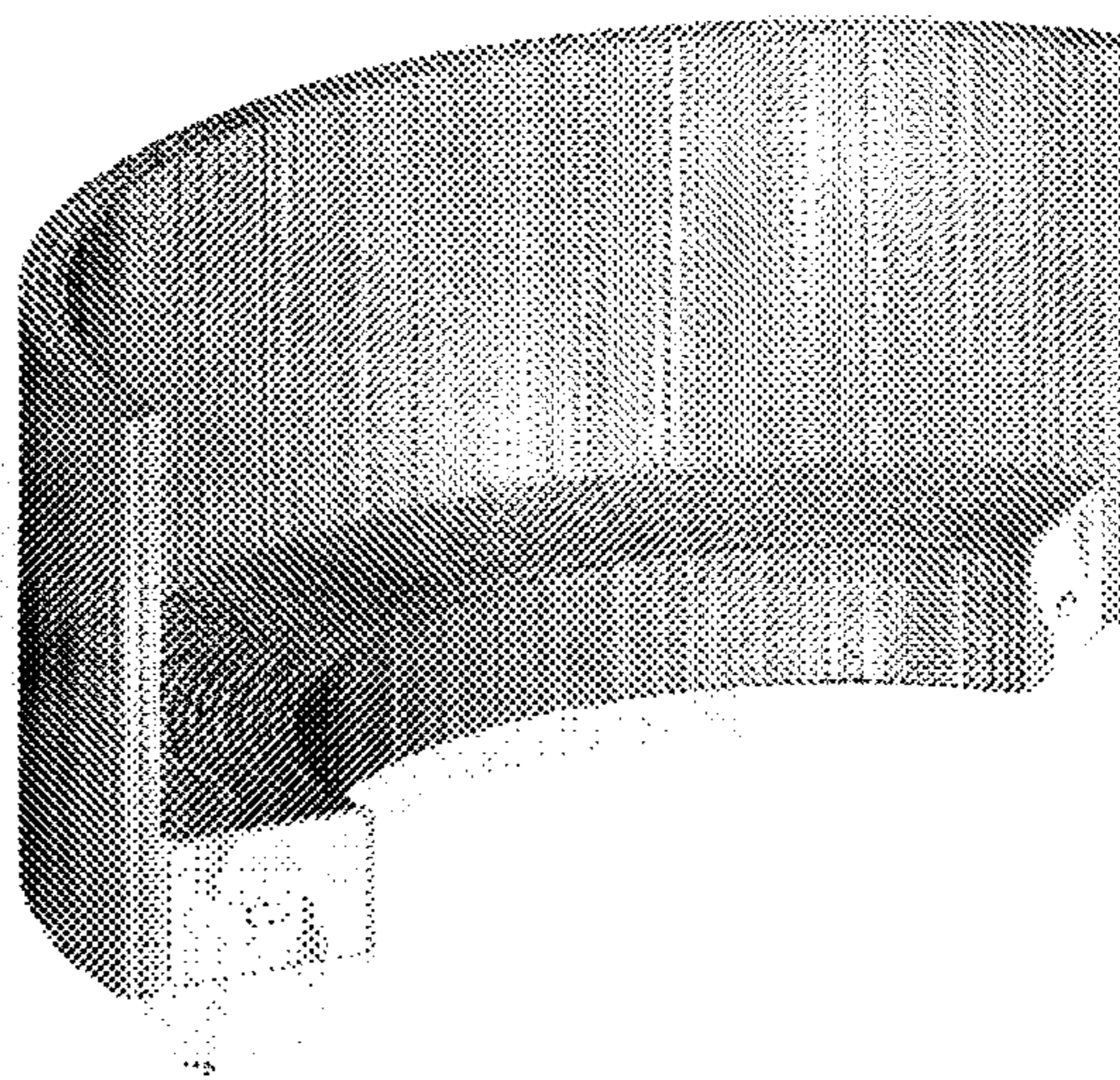
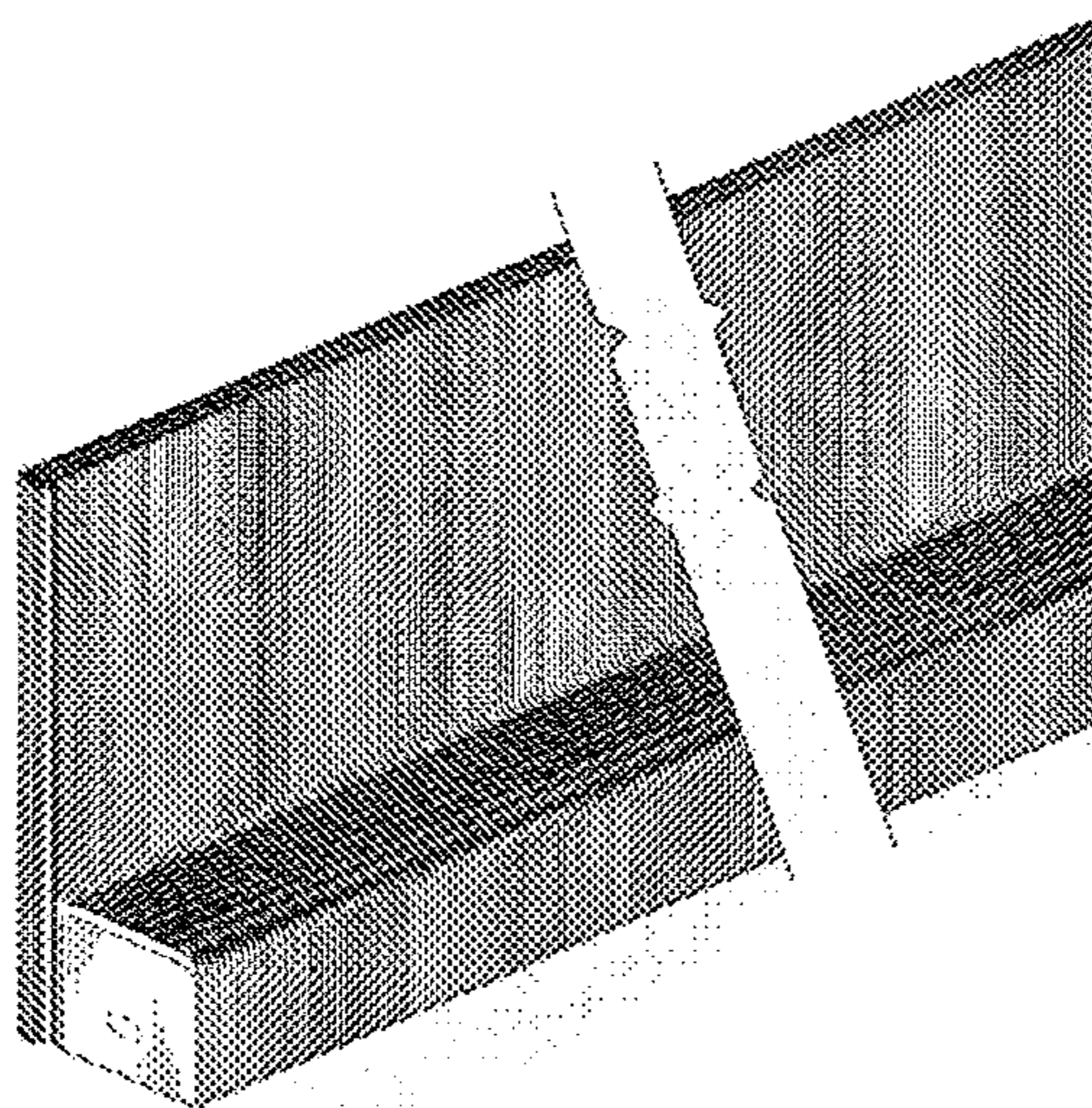
Primary Examiner Thomas Johannes  
 Assistant Examiner Catherine Ho

(74) *Attorney, Agent, or Firm* Blake, Cassels & Graydon LLP; Wilfred P. So

(57) **CLAIM**  
 The ornamental design for flexible furniture, substantially as shown and described.

**DESCRIPTION**  
 FIG. 1 is a perspective view of the flexible furniture, showing the new design in expanded form.  
 FIG. 2 is a perspective view of the flexible furniture shown in FIG. 1, in a collapsed form.  
 FIG. 3 is a front view of the flexible furniture shown in FIG. 1.  
 FIG. 4 is a top view of the flexible furniture shown in FIG. 1.  
 FIG. 5 is a bottom view of the flexible furniture shown in FIG. 1.  
 FIG. 6 is a left side view of the flexible furniture shown in FIG. 1, with the right side view being a mirror image of the left side view.  
 FIG. 7 is an enlarged fragment of the portion of the flexible furniture illustrated in FIG. 3 and labelled 7.  
 FIG. 8 is an enlarged fragment of the portion of the flexible furniture shown in FIG. 5 and labelled 8.  
 FIG. 9 is a perspective view of the flexible furniture shown in FIG. 1, and arranged in an arc configuration.  
 FIG. 10 is a front view of the flexible furniture shown in FIG. 9.  
 FIG. 11 is a top view of the flexible furniture shown in FIG. 9; and,  
 FIG. 12 is a bottom view of the flexible furniture shown in FIG. 9.  
 The article is shown with a symbolic break in its length. The appearance of any portion of the article between the break lines forms no part of the claimed design. The broken lines show portions of the article which form no part of the claimed design.

**1 Claim, 7 Drawing Sheets**



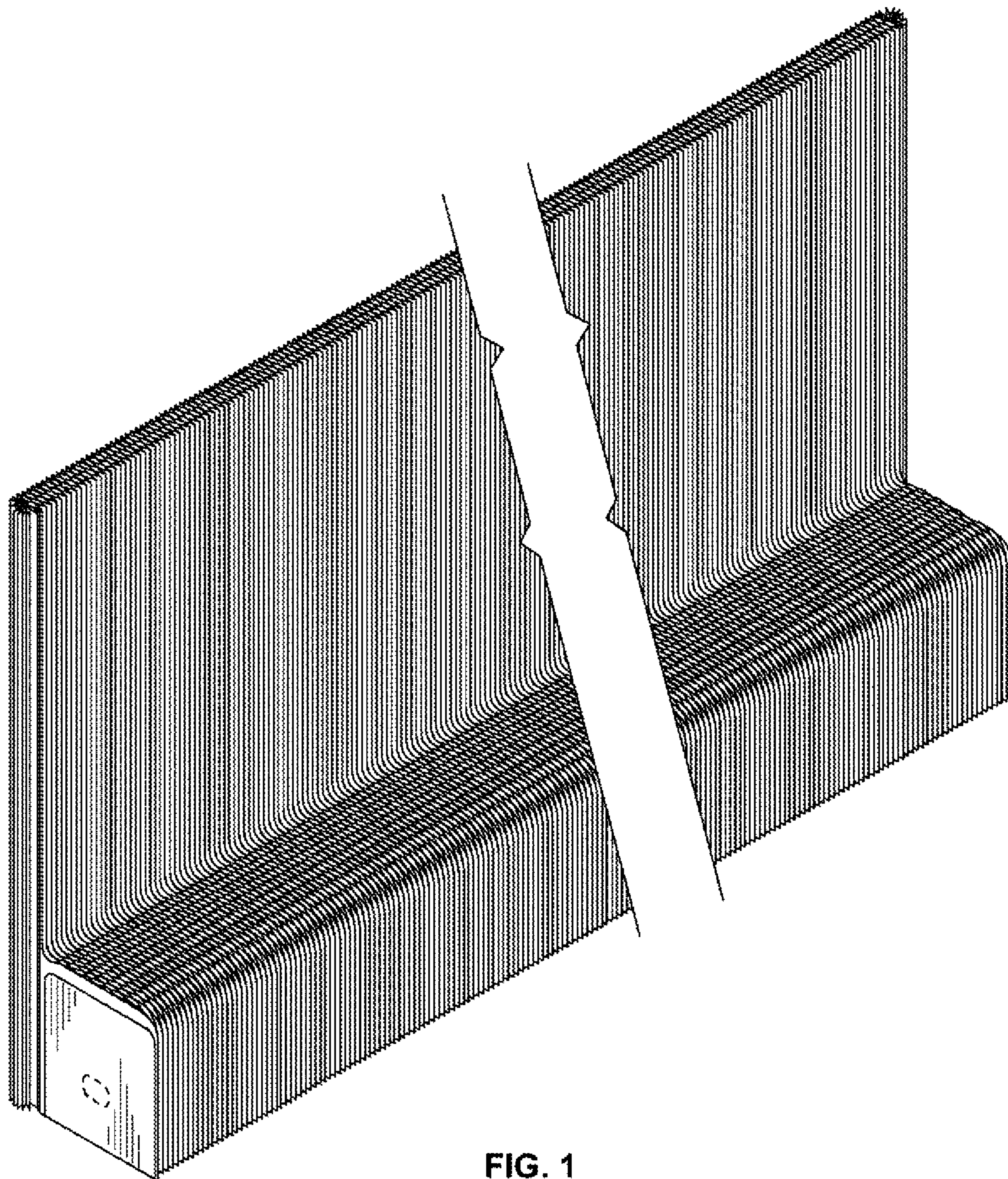


FIG. 1

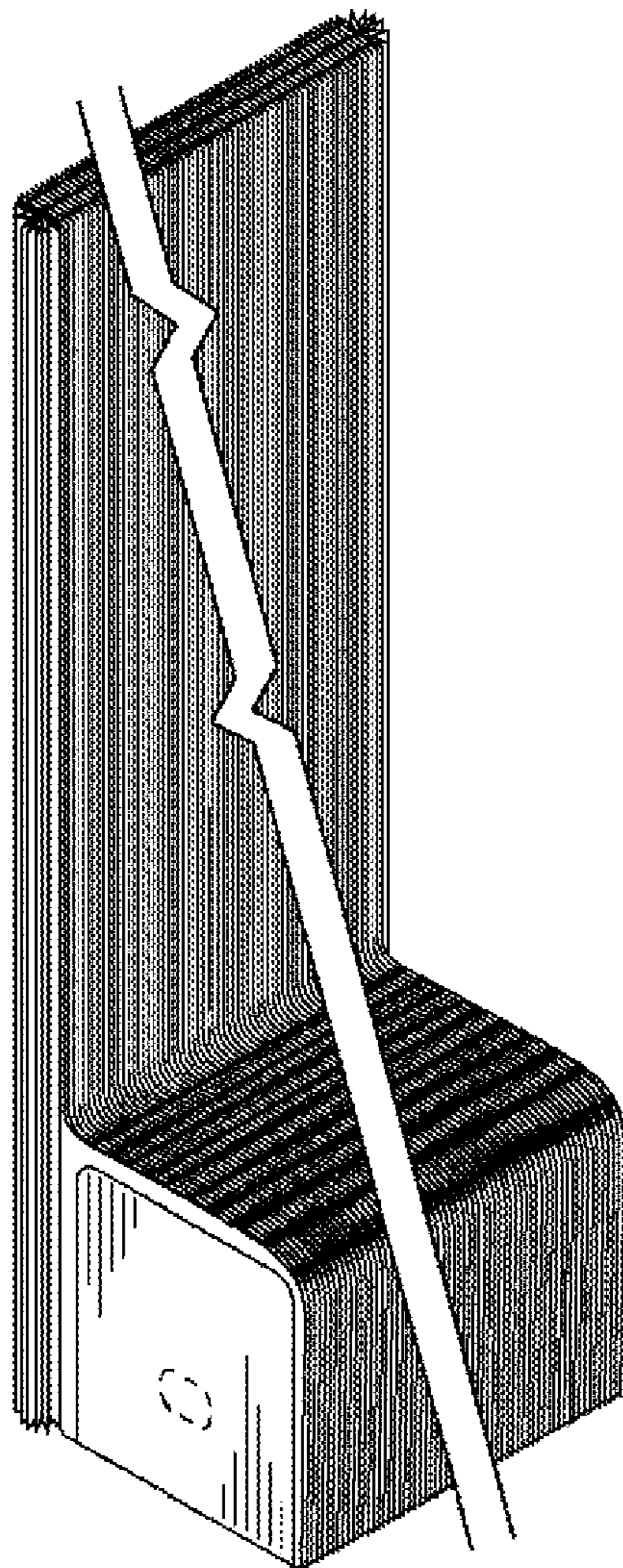


FIG. 2

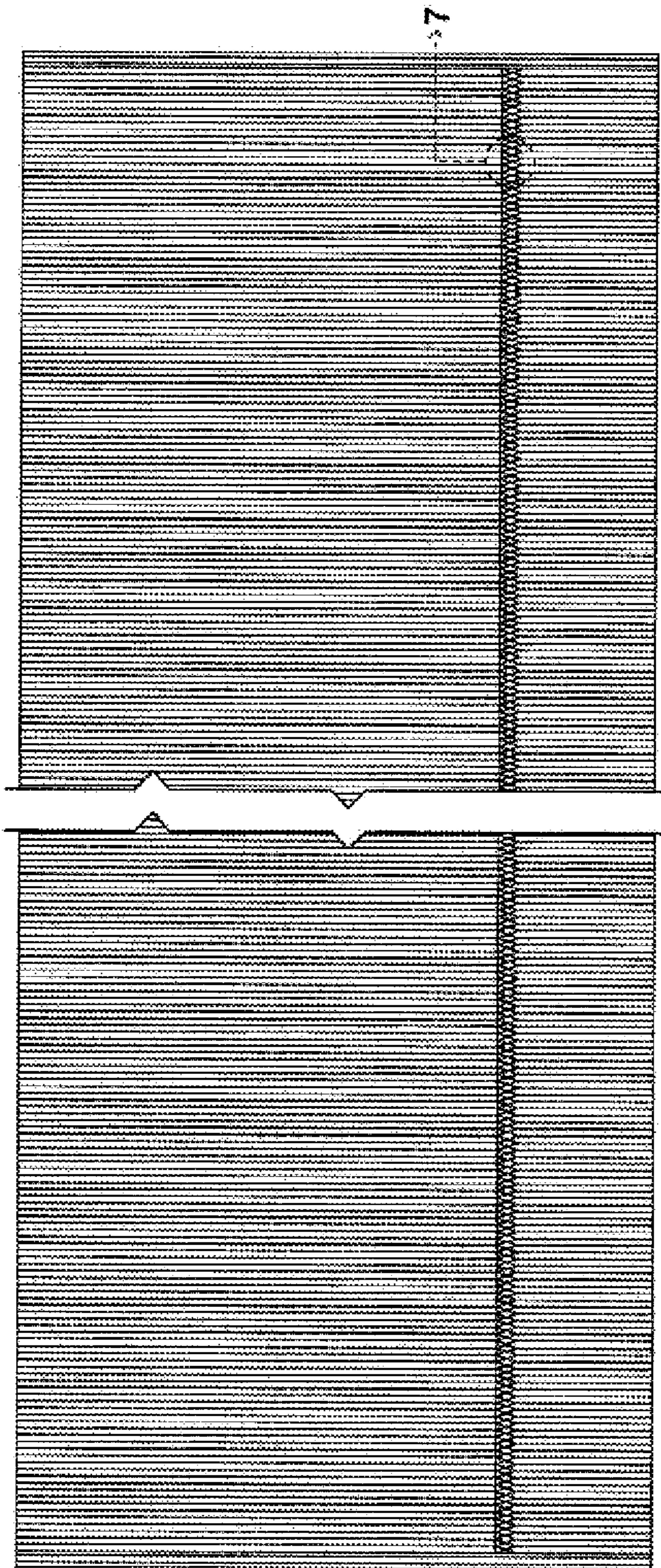


FIG. 3

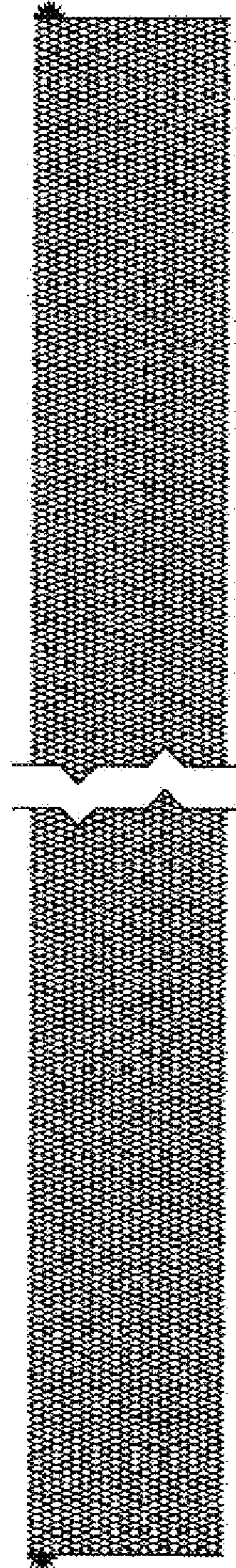


FIG. 4

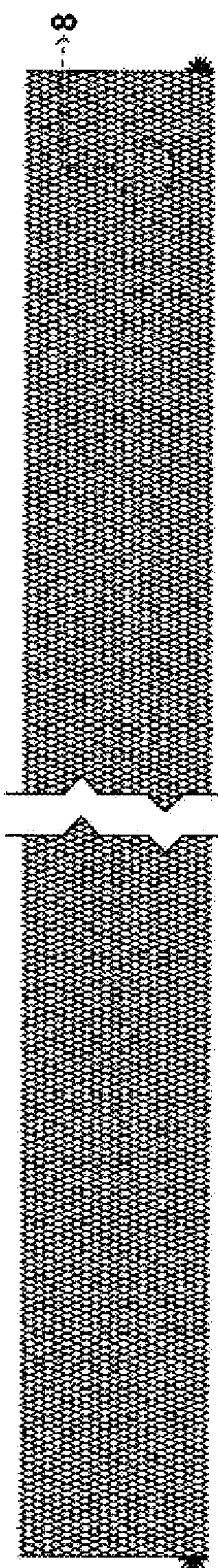


FIG. 5

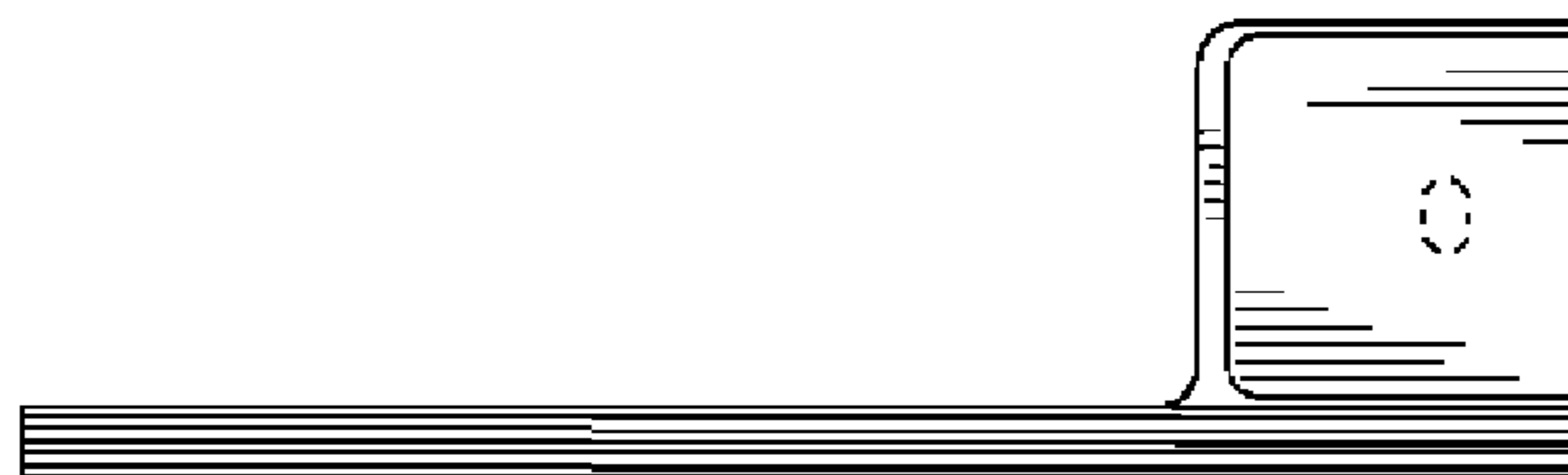


FIG. 6

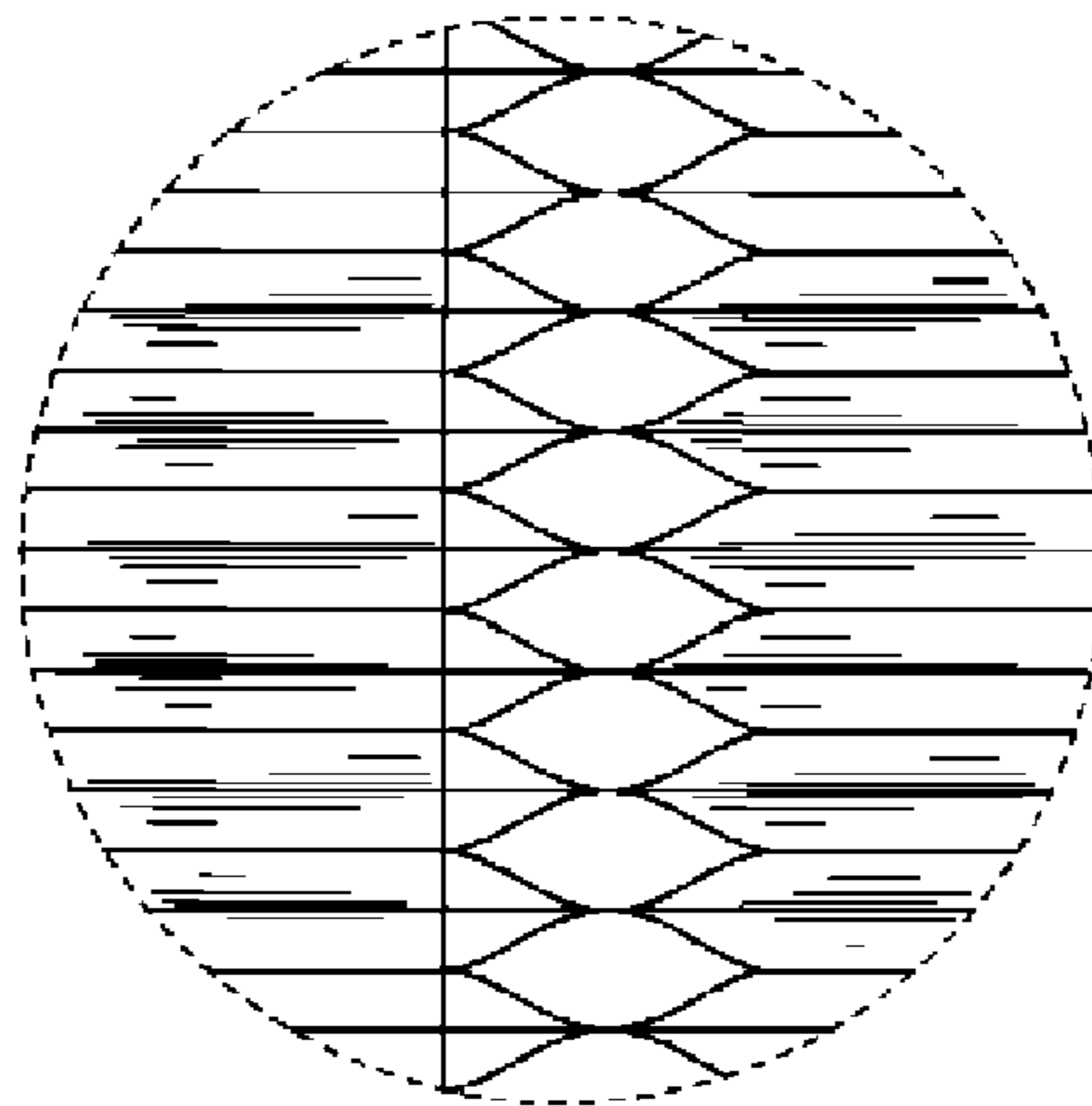


FIG. 7

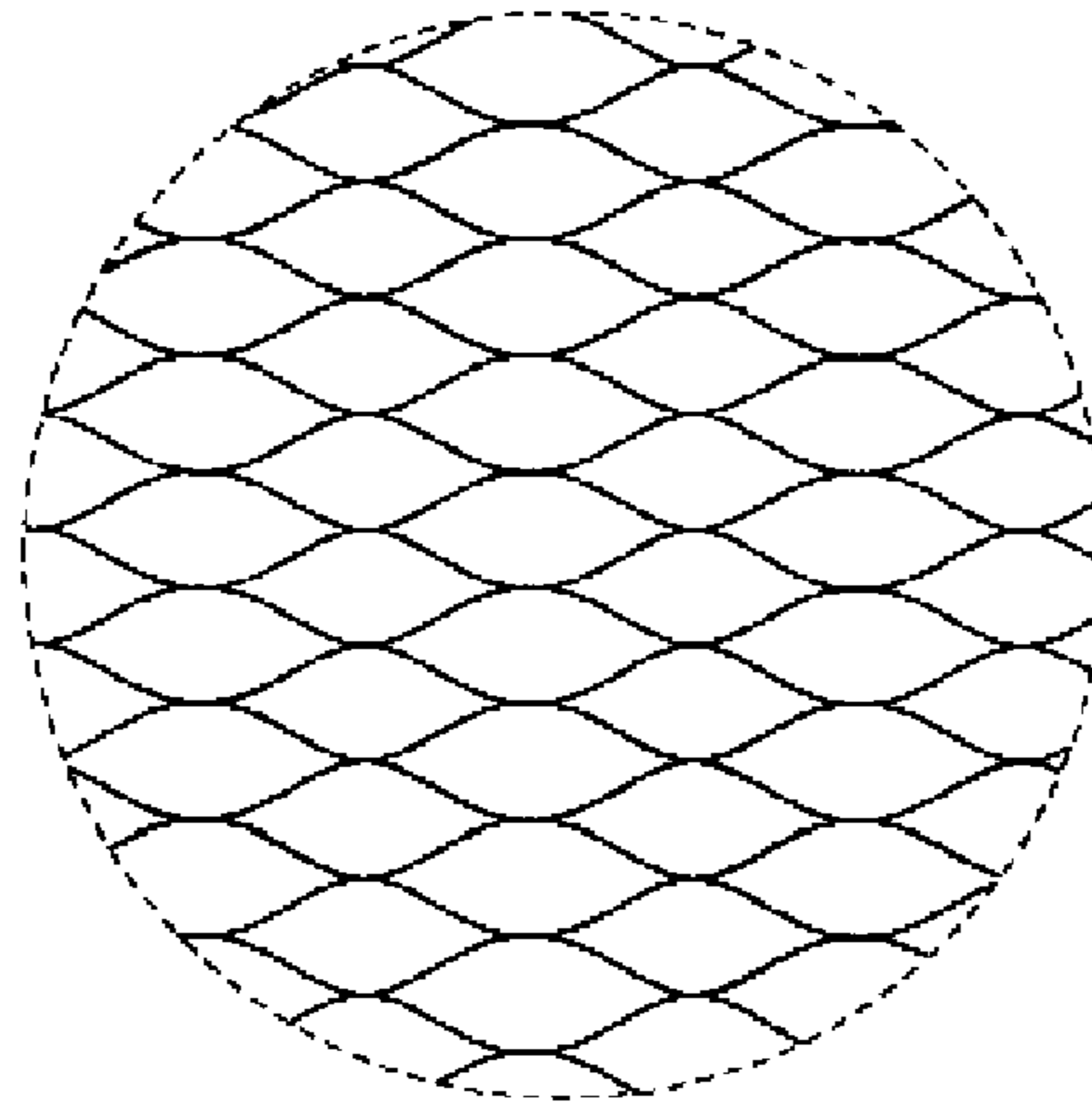


FIG. 8



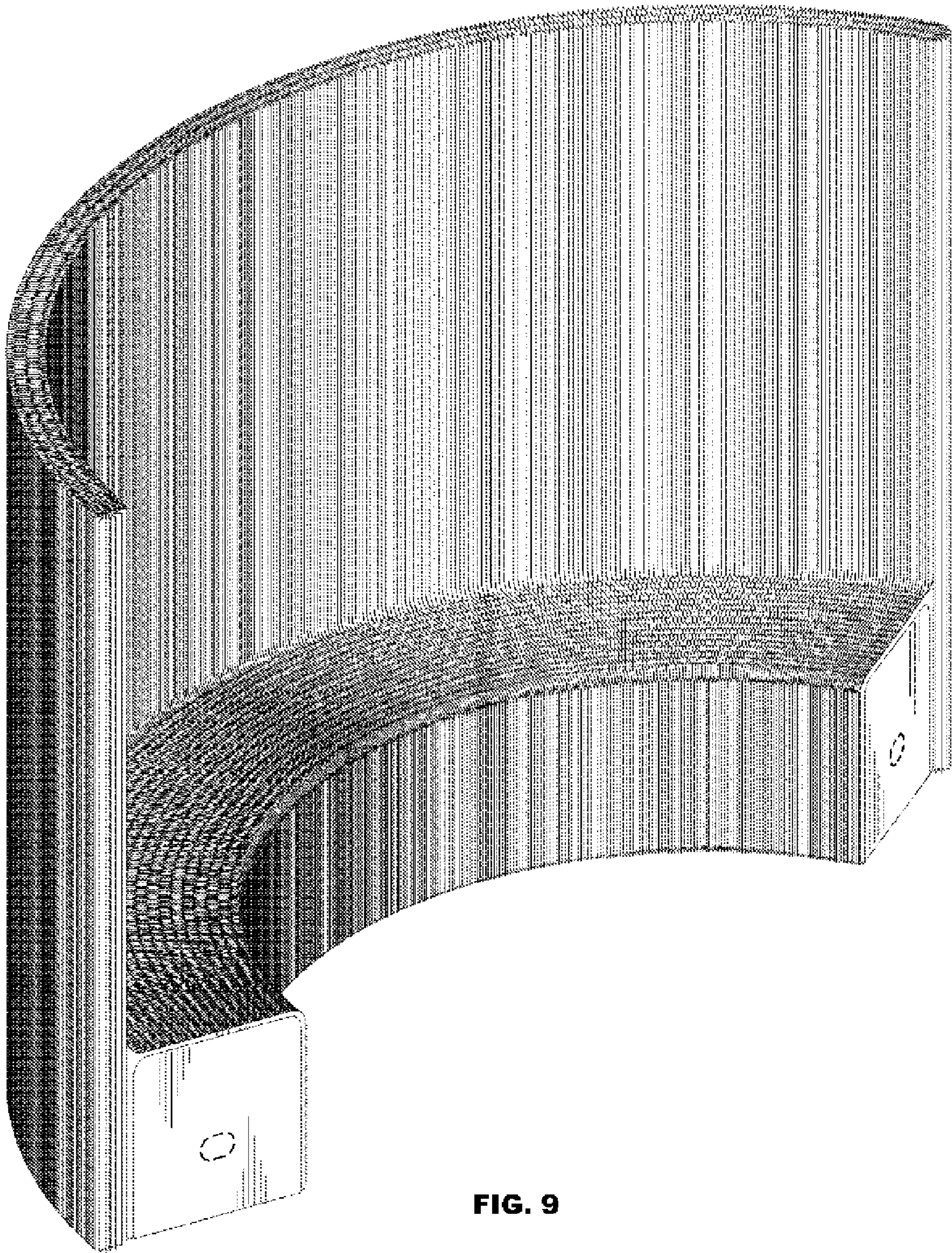
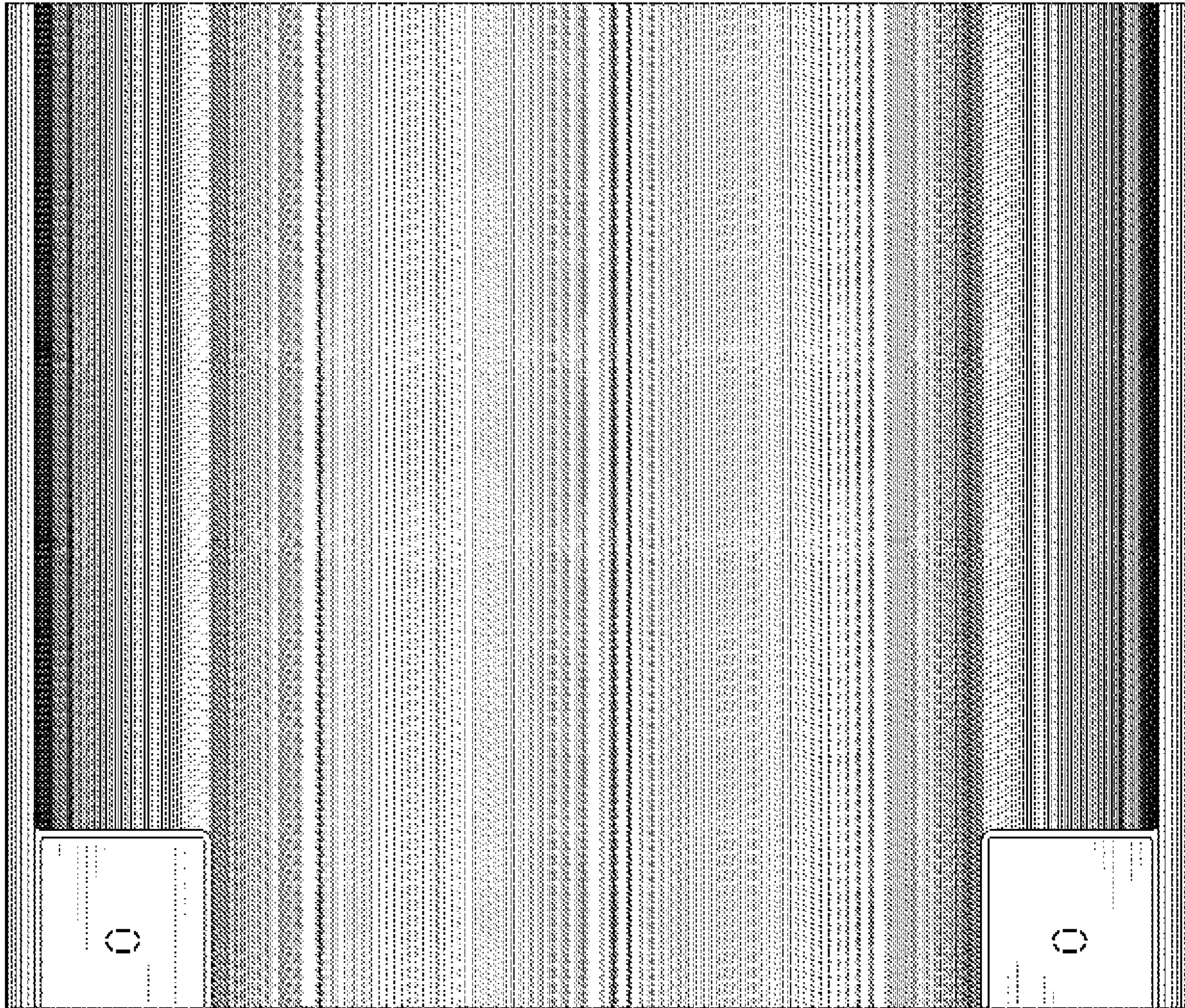
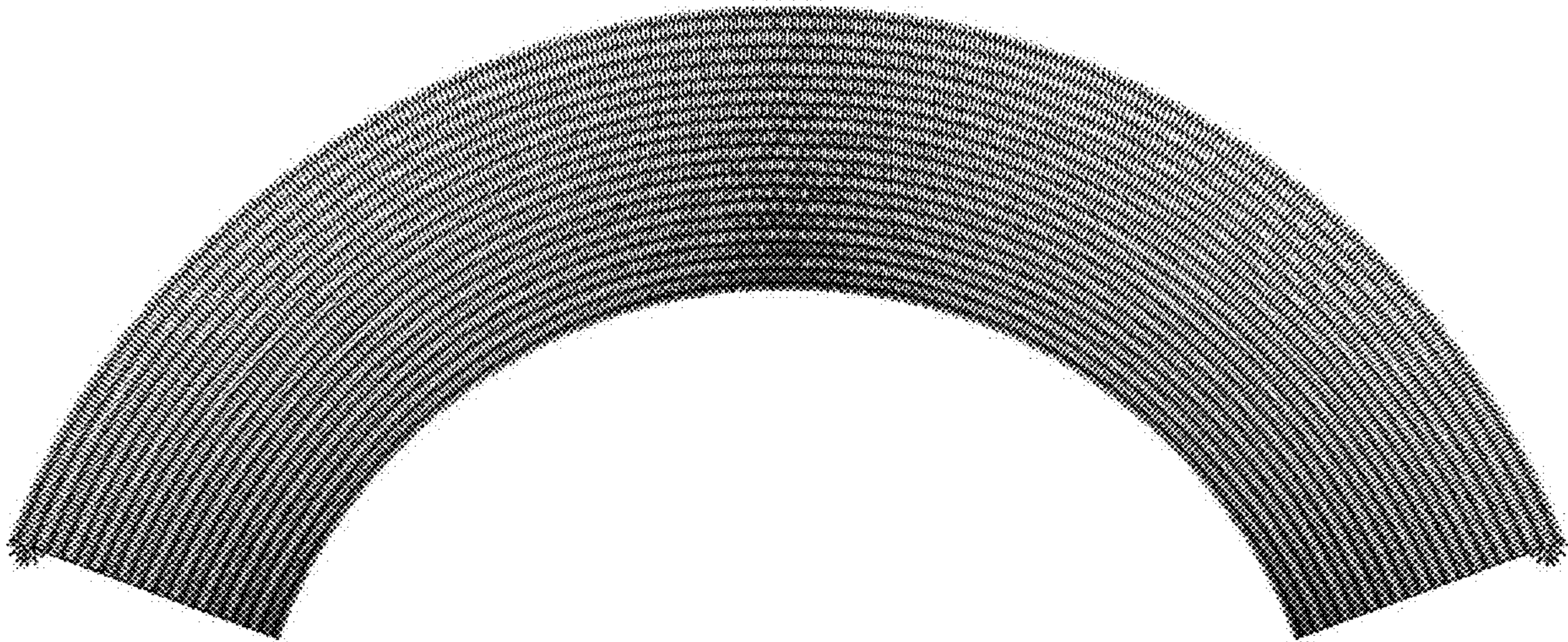


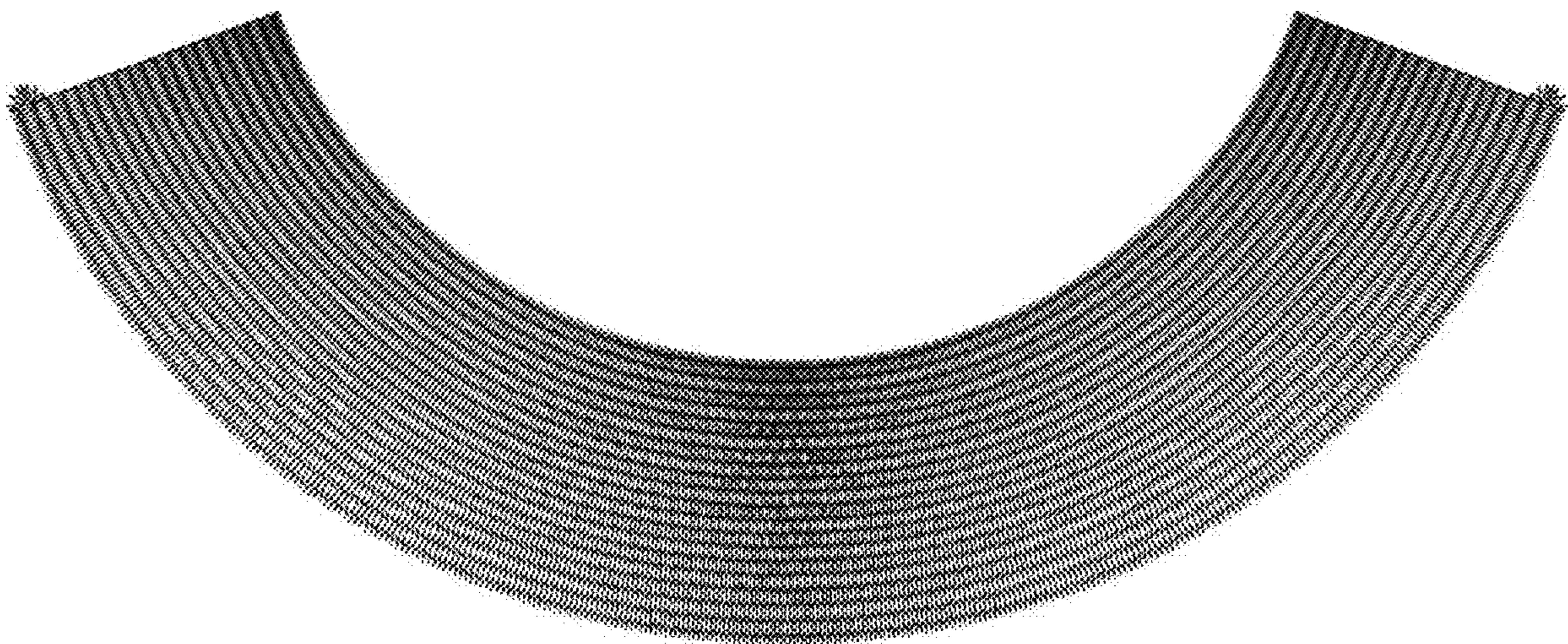
FIG. 9



**FIG. 10**



**FIG. 11**



**FIG. 12**