

US00D794343S

(12) **United States Design Patent** (10) **Patent No.:** **US D794,343 S**  
**Raznick** (45) **Date of Patent:** **\*\* Aug. 15, 2017**

(54) **RECYCLED CARDBOARD HANGER**  
(71) Applicant: **Ronald Todd Raznick**, New York, NY  
(US)  
(72) Inventor: **Ronald Todd Raznick**, New York, NY  
(US)

(\*\*) Term: **15 Years**

(21) Appl. No.: **29/559,791**

(22) Filed: **Mar. 31, 2016**

(51) **LOC (10) Cl.** ..... **06-08**

(52) **U.S. Cl.**  
USPC ..... **D6/319**

(58) **Field of Classification Search**  
USPC ..... D6/315-328; 223/85-98; 211/1, 13.1,  
211/85.3, 113  
CPC ..... A47G 25/28; A47G 25/743; A47G 25/26;  
A47G 25/442; A47G 25/30; A47G 25/36;  
A47G 25/16; A47G 25/14; A47G 25/18;  
A47G 25/005; A47F 7/19; A47F 7/00  
See application file for complete search history.

(56) **References Cited**

**U.S. PATENT DOCUMENTS**

D134,980 S \* 2/1943 Benner ..... D6/319  
2,328,142 A \* 8/1943 Hanauer ..... A47G 25/36  
223/87  
2,355,984 A \* 8/1944 Lupton ..... A47G 25/36  
223/87  
D157,273 S \* 2/1950 Lormor ..... 223/88  
D179,745 S \* 2/1957 Snook ..... D6/319  
D234,737 S \* 4/1975 Tweedie ..... 223/85

D272,494 S \* 2/1984 Mahowald ..... D6/513  
D366,569 S \* 1/1996 Coles ..... D6/315  
D582,166 S \* 12/2008 Barker ..... D6/326  
D605,861 S \* 12/2009 Meadows ..... D6/315  
D659,411 S \* 5/2012 Hyman ..... D6/318  
D680,757 S \* 4/2013 Hyman ..... D6/318  
D743,179 S \* 11/2015 Barker ..... D6/326  
2008/0121669 A1 \* 5/2008 Garner ..... A47G 25/36  
223/87

\* cited by examiner

*Primary Examiner* — Derrick Holland  
*Assistant Examiner* — Lauren Calve  
(74) *Attorney, Agent, or Firm* — Fritz Klantschi; Robert  
Powley

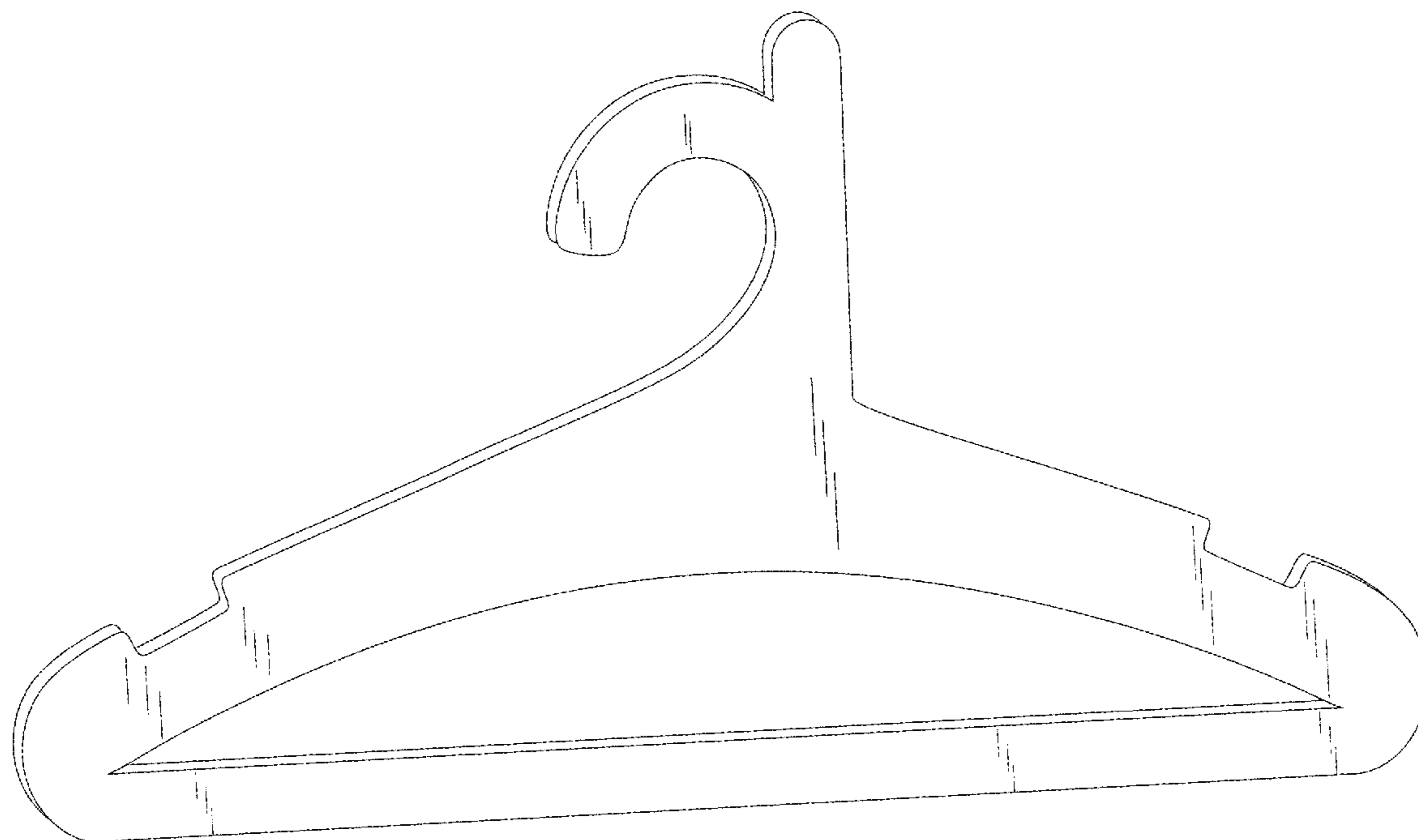
(57) **CLAIM**

I claim the ornamental design for a recycled cardboard hanger, as shown and described.

**DESCRIPTION**

FIG. 1 is a perspective view of a recycled cardboard hanger, showing my new design;  
FIG. 2 is a front view thereof;  
FIG. 3 is a top view thereof;  
FIG. 4 is a bottom view thereof;  
FIG. 5 is a rear view thereof;  
FIG. 6 is a left side view thereof; and,  
FIG. 7 is a right side view thereof.

**1 Claim, 3 Drawing Sheets**



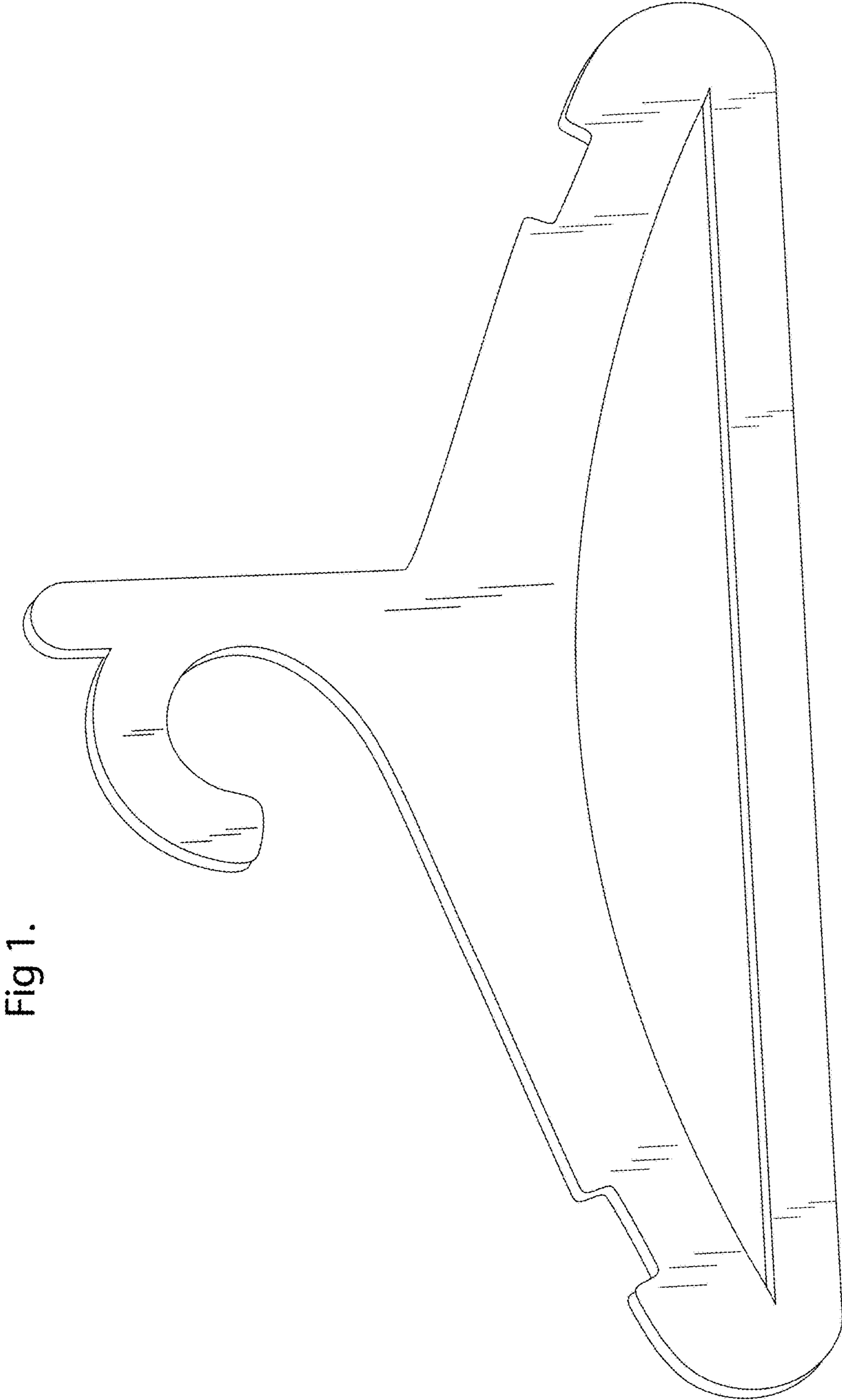


Fig 1.

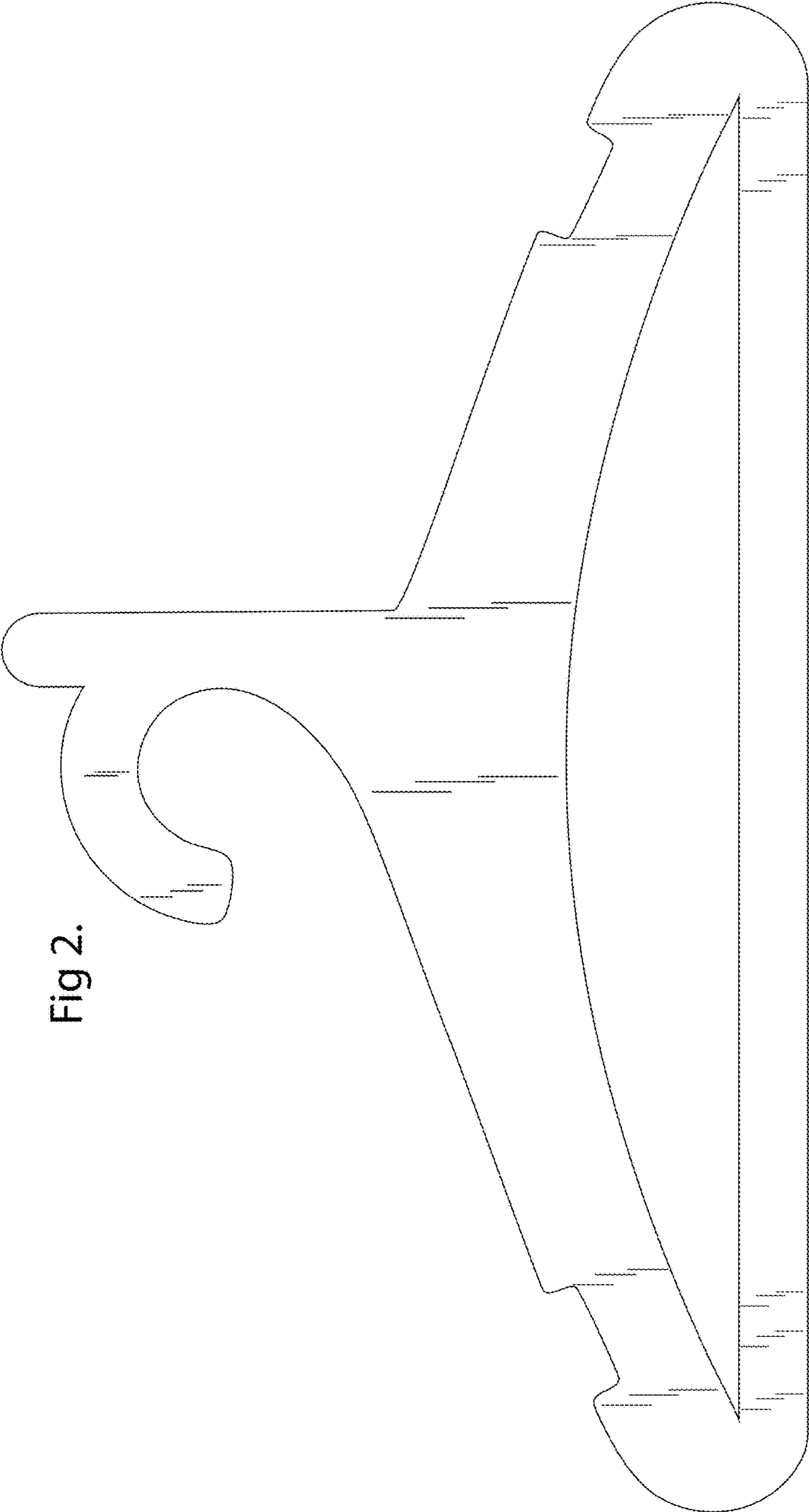


Fig 2.



Fig 3.

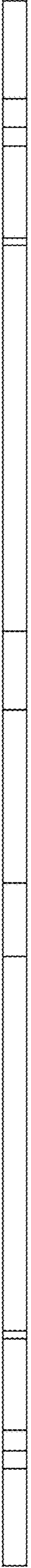


Fig 4.

Fig 7.

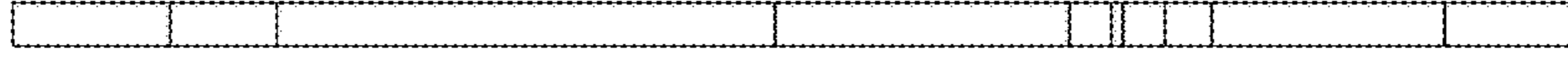


Fig 5.

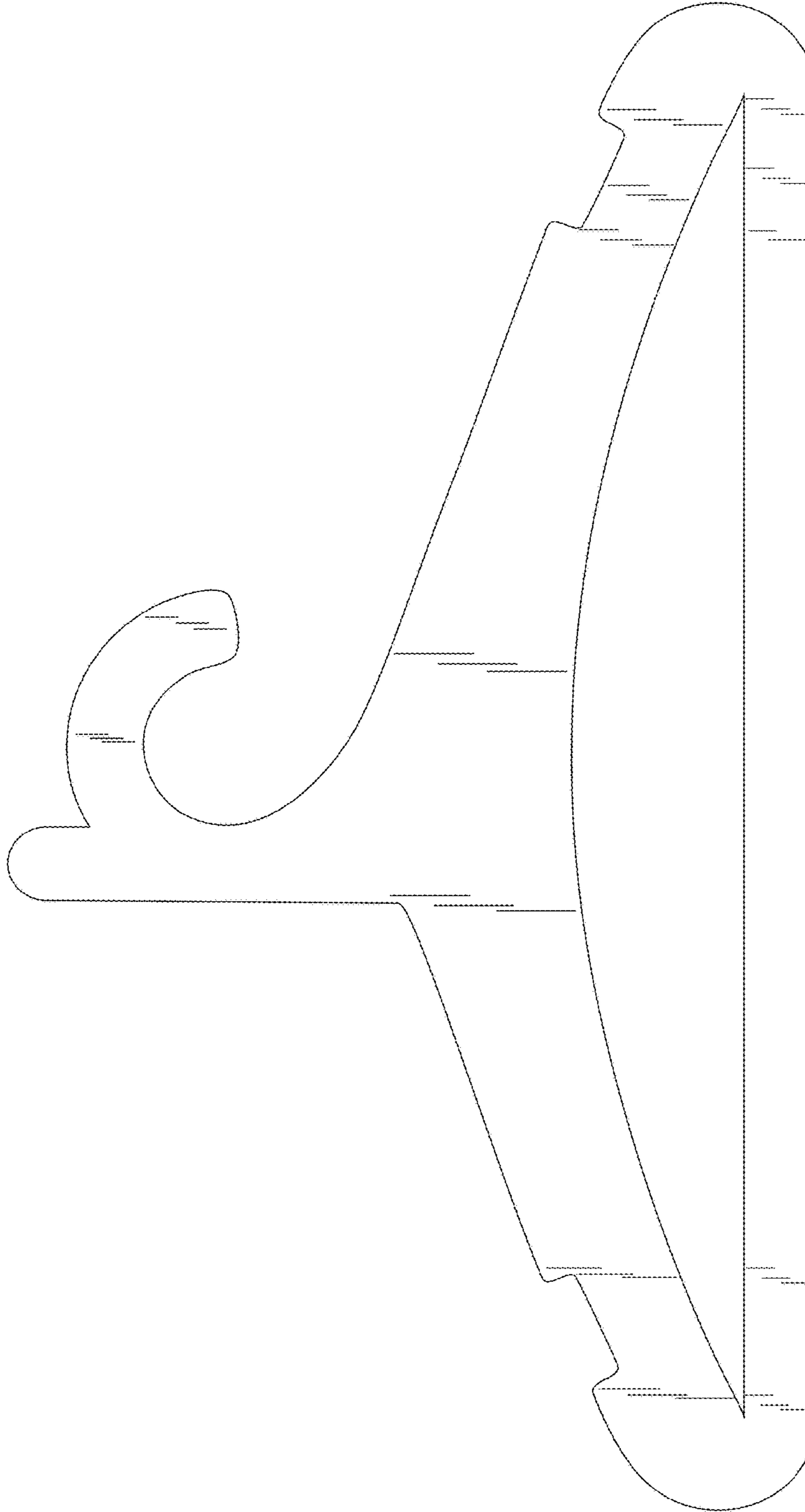


Fig 6.

