



US00D794335S

(12) **United States Design Patent** (10) **Patent No.:** **US D794,335 S**
Zavalloni (45) **Date of Patent:** **** Aug. 15, 2017**

(54) **HEAD FOR ELECTRICAL TOOTHBRUSH**

(71) Applicant: **CURADEN AG**, Kriens (CH)

(72) Inventor: **Marco Zavalloni**, Wohlen (CH)

(73) Assignee: **CURADEN AG**, Kriens (CH)

(**) Term: **15 Years**

(21) Appl. No.: **29/578,603**

(22) Filed: **Sep. 22, 2016**

Related U.S. Application Data

(62) Division of application No. 29/529,204, filed on Jun. 4, 2015.

(30) **Foreign Application Priority Data**

Dec. 5, 2014 (CH) 2014-00812

(51) **LOC (10) Cl.** **04-02**

(52) **U.S. Cl.**
USPC **D4/102; D4/101**

(58) **Field of Classification Search**
USPC D4/100-102, 104-118, 124-125,
D4/127-132, 136, 138, 121-122, 133,
D4/135

CPC A46B 5/00; A46B 5/0004; A46B 5/0008;
A46B 5/0012; A46B 5/002; A46B
5/0095; A46B 9/04; A46B 11/0006; A46B
2200/1066; A61B 17/24; A61C 17/16

See application file for complete search history.

(56) **References Cited**

U.S. PATENT DOCUMENTS

D278,764 S * 5/1985 Olsen D4/101
D294,885 S * 3/1988 Mollenhoff 15/23
D373,903 S * 9/1996 Stutzer D4/101
D402,811 S * 12/1998 Stansbury, Jr. D4/101
D419,774 S 2/2000 Langue

D458,027 S * 6/2002 Ferber D4/101
D459,081 S * 6/2002 Eliav D4/101
D483,183 S 12/2003 De Salvo
D490,981 S * 6/2004 Hoffecker D4/101
D499,884 S * 12/2004 Chan D4/101
D503,852 S * 4/2005 Hensel D4/101
D509,362 S 9/2005 Maeda
D510,809 S 10/2005 Geiberger
D524,548 S 7/2006 Hay
D533,349 S * 12/2006 Jimenez D4/101

(Continued)

FOREIGN PATENT DOCUMENTS

DE 1844732 A1 10/2007

Primary Examiner — Jeffrey D Asch

Assistant Examiner — Rebekah A Caruso

(74) *Attorney, Agent, or Firm* — Birch, Stewart, Kolasch & Birch, LLP

(57) **CLAIM**

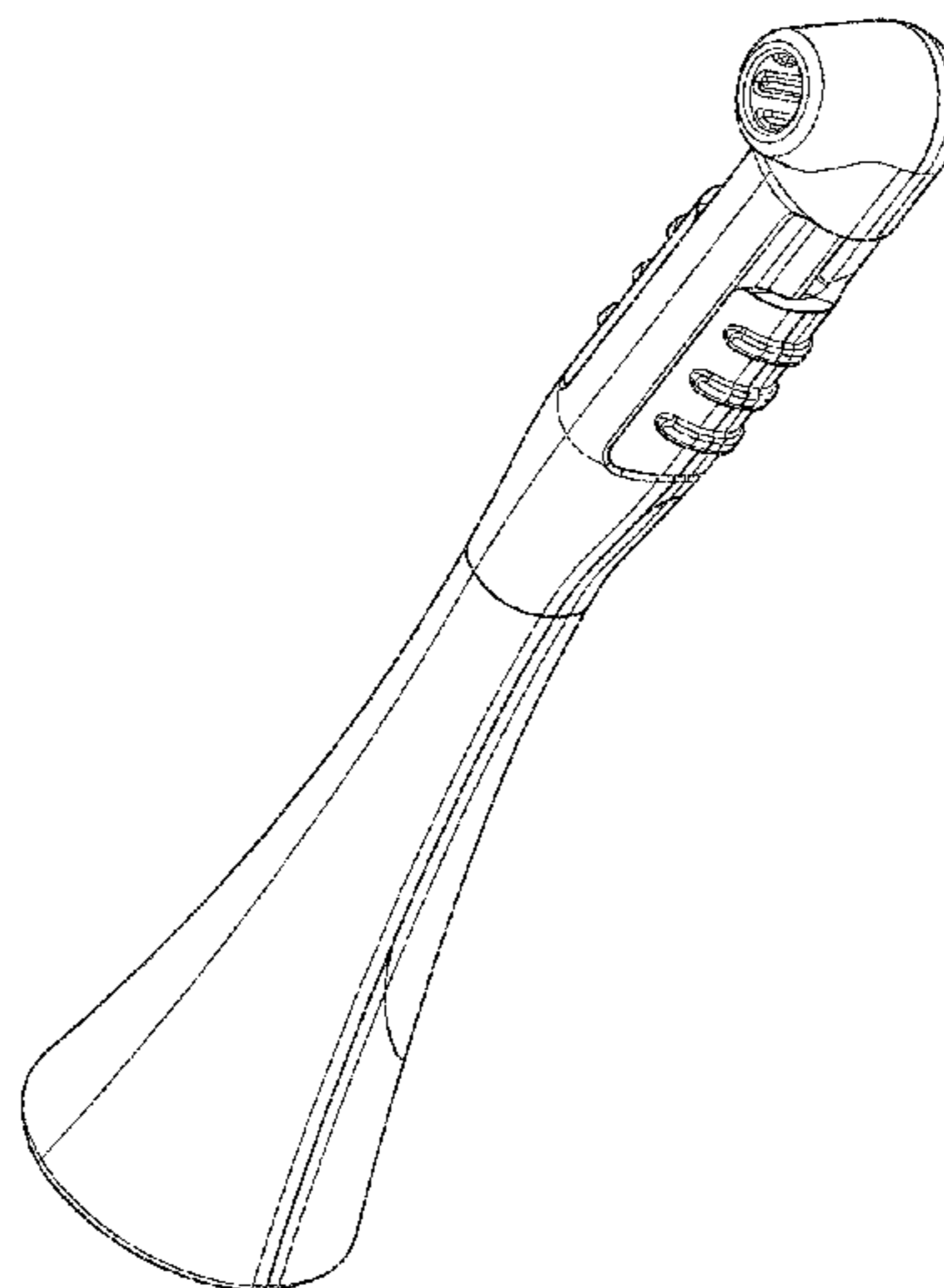
The ornamental design for a head for electrical toothbrush, as shown and described.

DESCRIPTION

FIG. 1 is a bottom view of a head for electrical toothbrush showing my new design;
FIG. 2 is a top view thereof;
FIG. 3 is a right side view thereof;
FIG. 4 is a front view thereof;
FIG. 5 is a left side view thereof;
FIG. 6 is a rear view thereof;
FIG. 7 is a rear perspective view thereof; and,
FIG. 8 is a front perspective view thereof.

The broken lines shown in the figures that are immediately adjacent to the solid line areas and define unshaded regions represent the bounds of the claim. All other broken lines, including the features within broken line boundaries, are directed to environment. The broken lines form no part of the claimed design.

1 Claim, 8 Drawing Sheets



(56)

References Cited

U.S. PATENT DOCUMENTS

D593,328	S	6/2009	Garnt	
D599,555	S *	9/2009	Oliphant	D4/101
D652,626	S	1/2012	Gebski	
D657,565	S	4/2012	Gebski	
8,196,246	B1	6/2012	Haynes	
D669,687	S	10/2012	Heil	
D710,109	S *	8/2014	Nanda	D4/104
D710,113	S	8/2014	Cho	
D715,057	S	10/2014	Adriaenssen	
D749,852	S *	2/2016	Since	D4/101
D758,079	S *	6/2016	Since	D4/101
D776,438	S *	1/2017	Sedic	D4/111
2005/0199265	A1	9/2005	France	

* cited by examiner

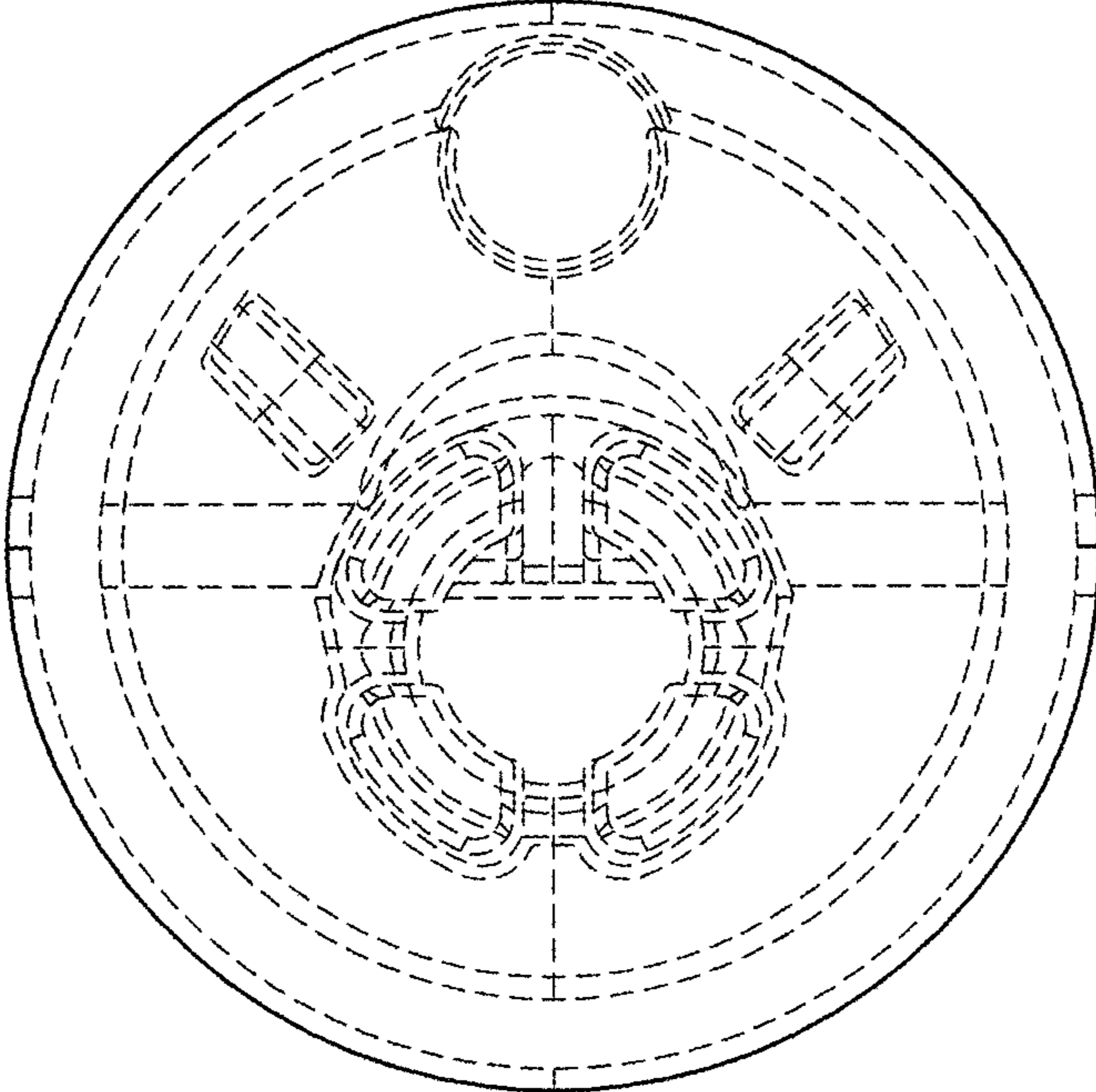


FIG.1

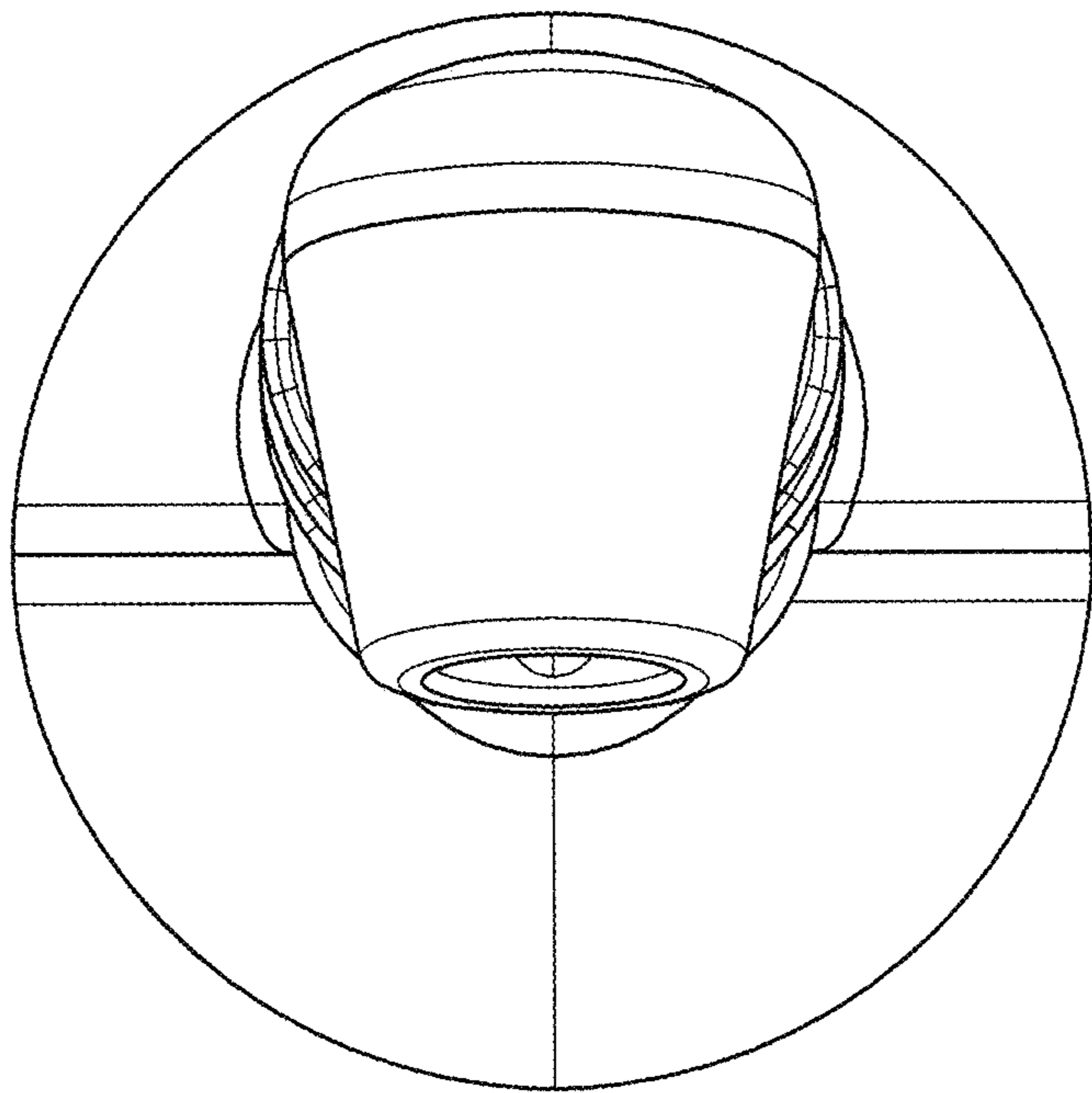


FIG.2

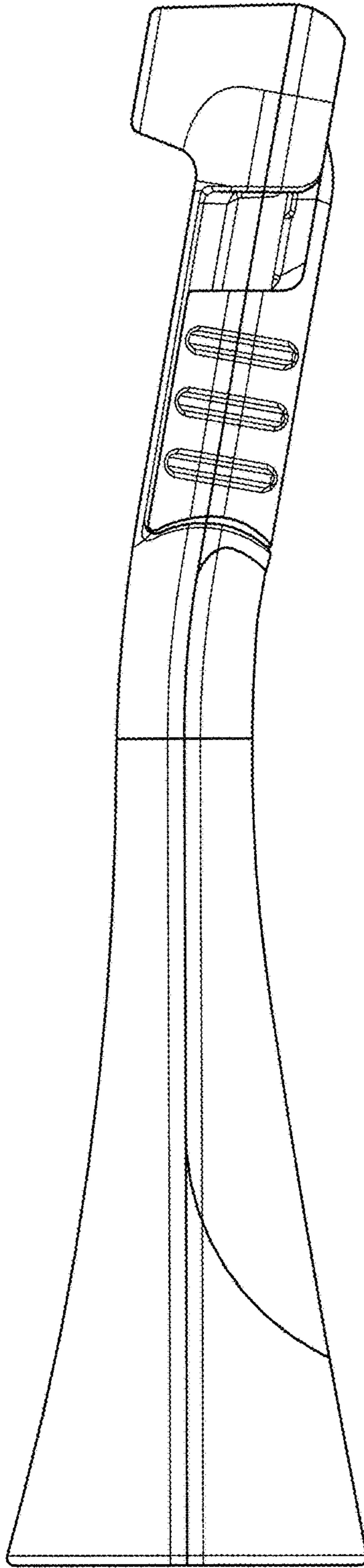


FIG.3

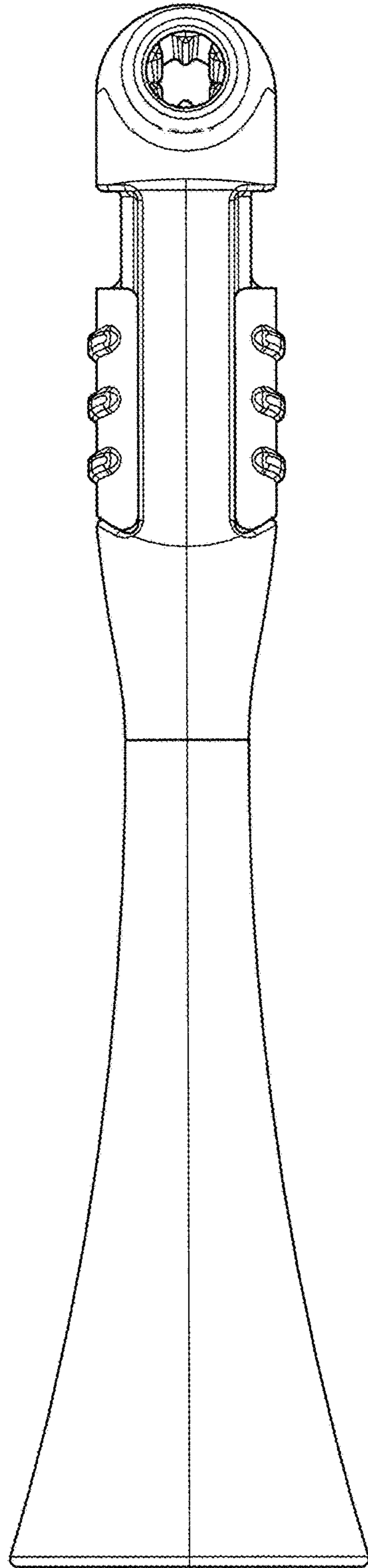


FIG.4

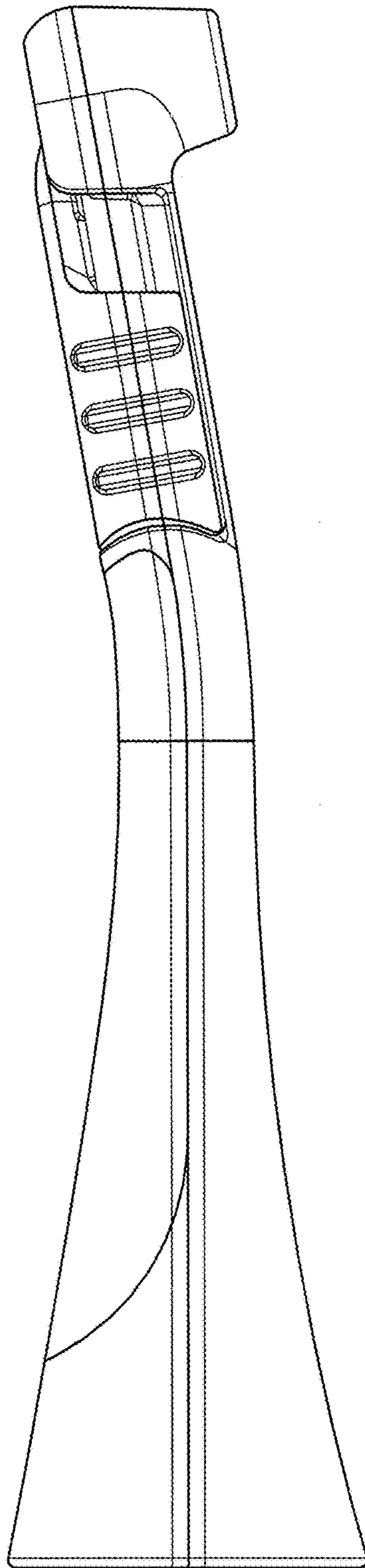


FIG.5

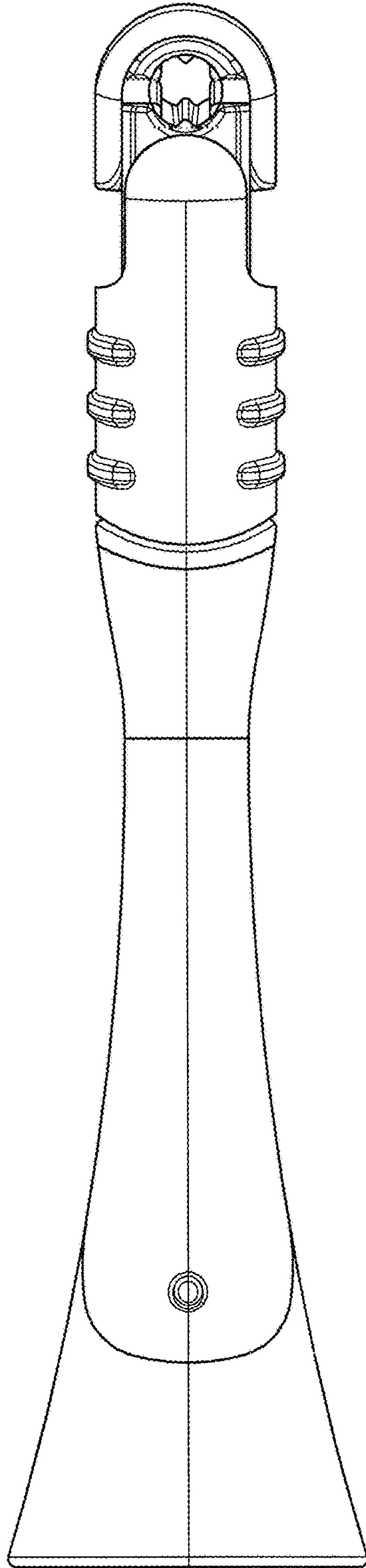


FIG.6

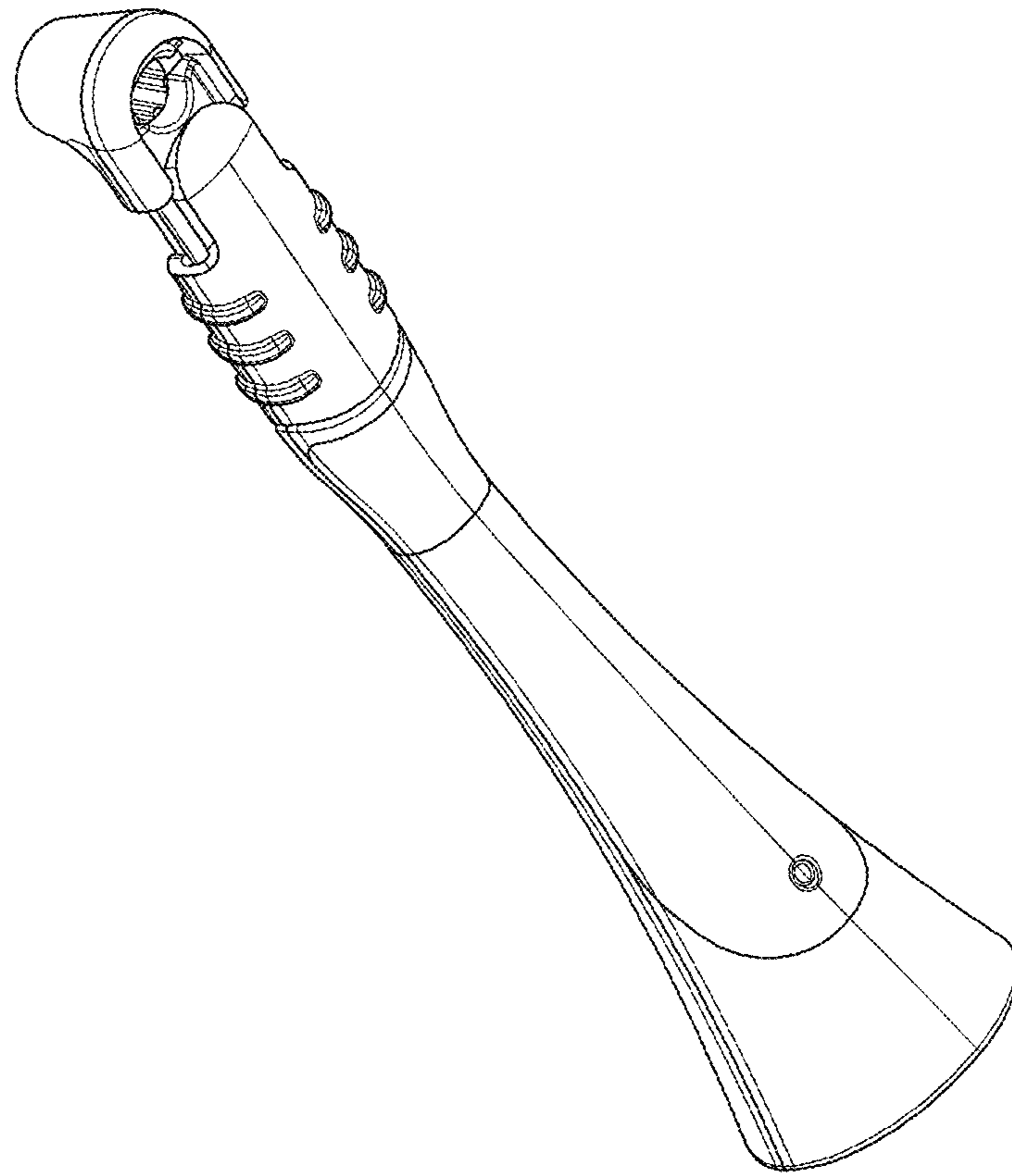


FIG.7

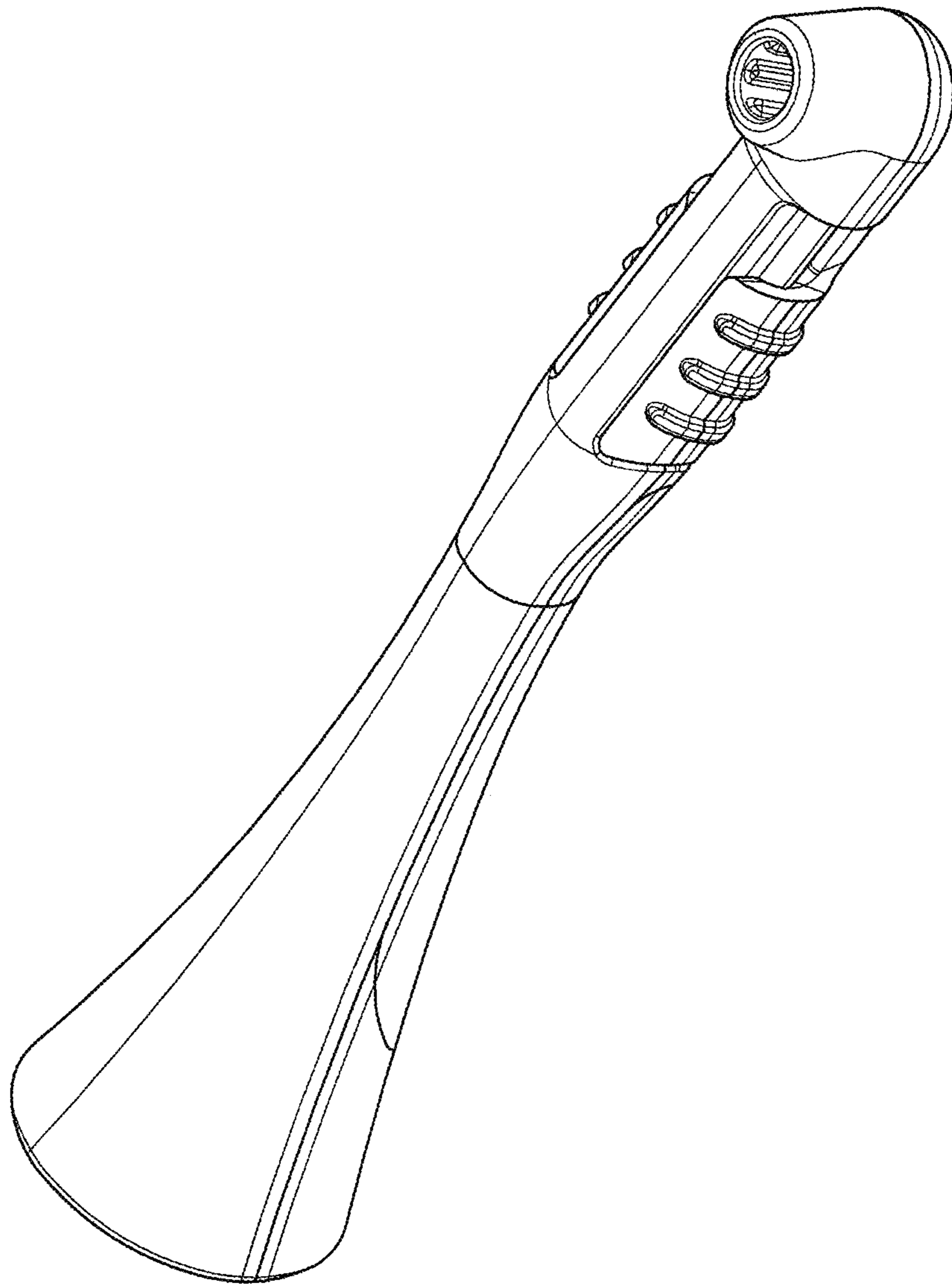


FIG.8