



US00D794330S

(12) **United States Design Patent** (10) **Patent No.:** **US D794,330 S**
Foley et al. (45) **Date of Patent:** **** Aug. 15, 2017**

(54) **STORAGE CONTAINER**

- (71) Applicant: **DEFLECTO, LLC**, Indianapolis, IN (US)
- (72) Inventors: **Patrick Foley**, Fishers, IN (US); **Christopher Stuart**, Noblesville, IN (US); **James DeChant**, Carmel, IN (US); **Danielle Rodgers**, Indianapolis, IN (US)
- (73) Assignee: **Deflecto, LLC**, Indianapolis, IN (US)
- (**) Term: **15 Years**

- (21) Appl. No.: **29/550,447**
- (22) Filed: **Jan. 4, 2016**
- (51) **LOC (10) Cl.** **03-01**
- (52) **U.S. Cl.**
USPC **D3/284; D3/902**
- (58) **Field of Classification Search**
USPC D3/203.1, 203.2, 203.3, 203.6, 204, 205, D3/269, 273, 276, 281, 284, 285, 289, D3/301, 302, 901, 903, 315, 267, 206, D3/902; D19/106, 107; D24/230
CPC ... A45C 2011/007; A45C 20/008; A45C 5/04; A45C 5/08; A45C 3/00; A45C 5/00; B65D 81/3813; B65D 1/22; B65D 1/00; B65D 21/00
See application file for complete search history.

(56) **References Cited**
U.S. PATENT DOCUMENTS

D153,069 S * 3/1949 Linneman 206/379
D271,239 S * 11/1983 Lemieux D24/230
D300,540 S * 4/1989 Salis D19/106
(Continued)

OTHER PUBLICATIONS

Deflecto, "Stackable Caddy Organizer", Accessed Mar. 23, 2017, (<http://www.deflecto.com/caddyorganizer/>).*
(Continued)

Primary Examiner — Jennifer Rivard
Assistant Examiner — April Rivas
(74) *Attorney, Agent, or Firm* — Dentons US LLP; Brian R. McGinley; Roman Tsibulevskiy

(57) **CLAIM**

The ornamental design for a storage container, as shown and described.

DESCRIPTION

FIG. 1 is a perspective view of a storage container illustrating a new design according to an embodiment of the invention; where the storage container is in an assembled configuration;

FIG. 2 is a front view of the storage container illustrating the embodiment of the storage container of FIG. 1;

FIG. 3 is a rear view of the storage container illustrating the embodiment of the storage container of FIG. 1;

FIG. 4 is a left-side view of the storage container illustrating the embodiment of the storage container of FIG. 1;

FIG. 5 is a right-side view of the storage container illustrating the embodiment of the storage container of FIG. 1;

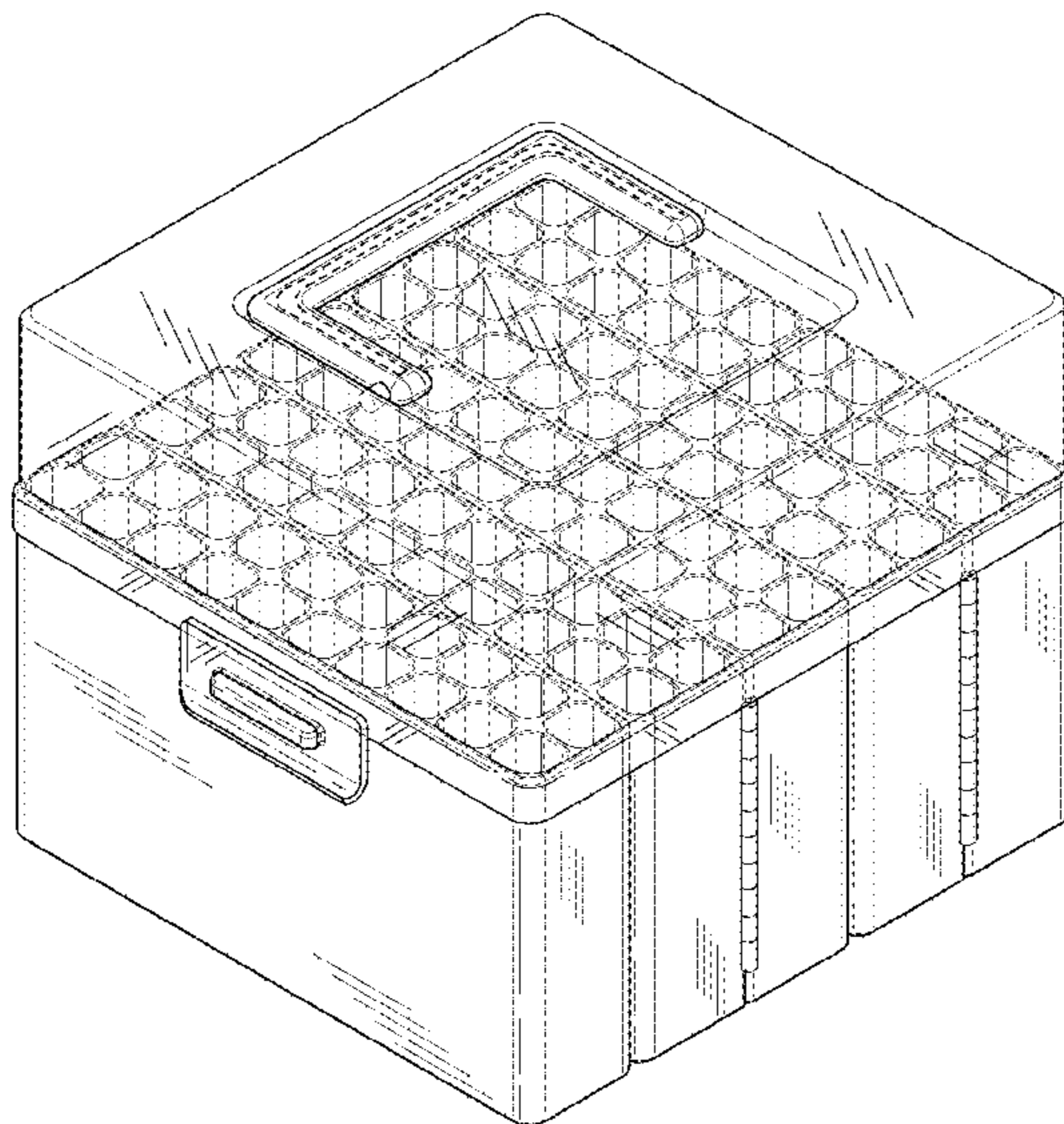
FIG. 6 is a bottom view of the storage container illustrating the embodiment of the storage container of FIG. 1;

FIG. 7 is another perspective view of the storage container of FIG. 1 illustrating the embodiment of the storage container, where the storage container is partially expanded; and,

FIG. 8 is another perspective view of the storage container of FIG. 1 illustrating the embodiment of the storage container where the storage container is fully expanded.

The broken lines illustrate portions of the storage container and form no part of the claimed design.

1 Claim, 8 Drawing Sheets



(56)

References Cited

U.S. PATENT DOCUMENTS

D325,934 S *	5/1992	Ramljak	D11/147
D338,496 S *	8/1993	Tarozzi	D19/106
D481,533 S *	11/2003	McGillivray	D3/206
D537,621 S *	3/2007	Rosen	D3/206
D538,032 S *	3/2007	Rosen	D3/206
D538,529 S *	3/2007	Rosen	D3/206
D566,173 S *	4/2008	Roismann	D3/206
D699,370 S *	2/2014	Motadel	D24/229
D733,317 S *	6/2015	Lui	D24/227
D762,875 S *	8/2016	Lui	D24/227
D779,205 S *	2/2017	Lawrenson	D3/299
2003/0192808 A1 *	10/2003	Clarizio	A45C 11/34 206/575

OTHER PUBLICATIONS

Oak Islands Stampqueen Blog, "My Copic Storage System", posted on Apr. 27, 2012, Accessed Mar. 29, 2017. (<http://okistampqueen.blogspot.ca/2012/04/my-copic-storage-system.html>).*

* cited by examiner

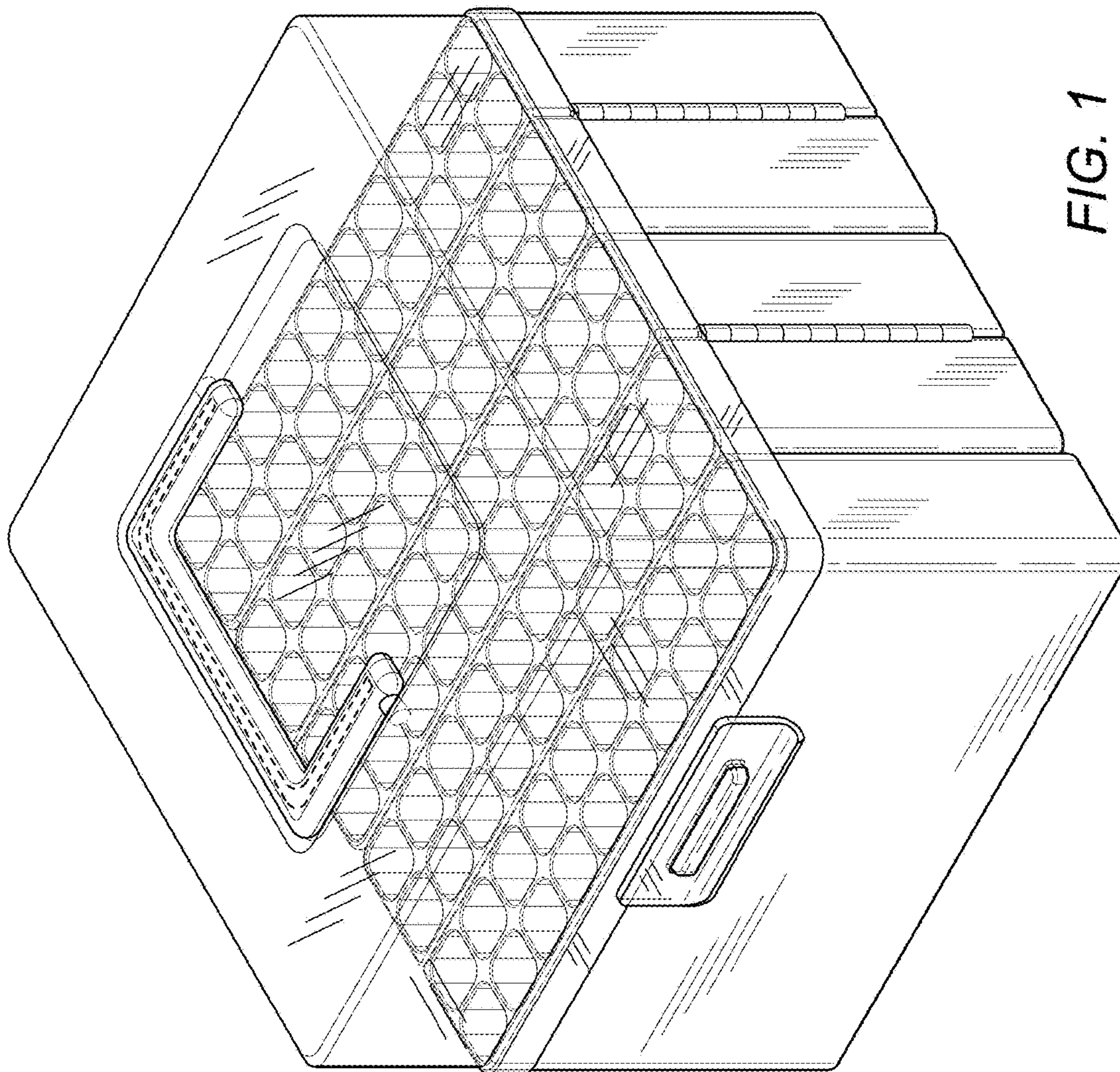


FIG. 1

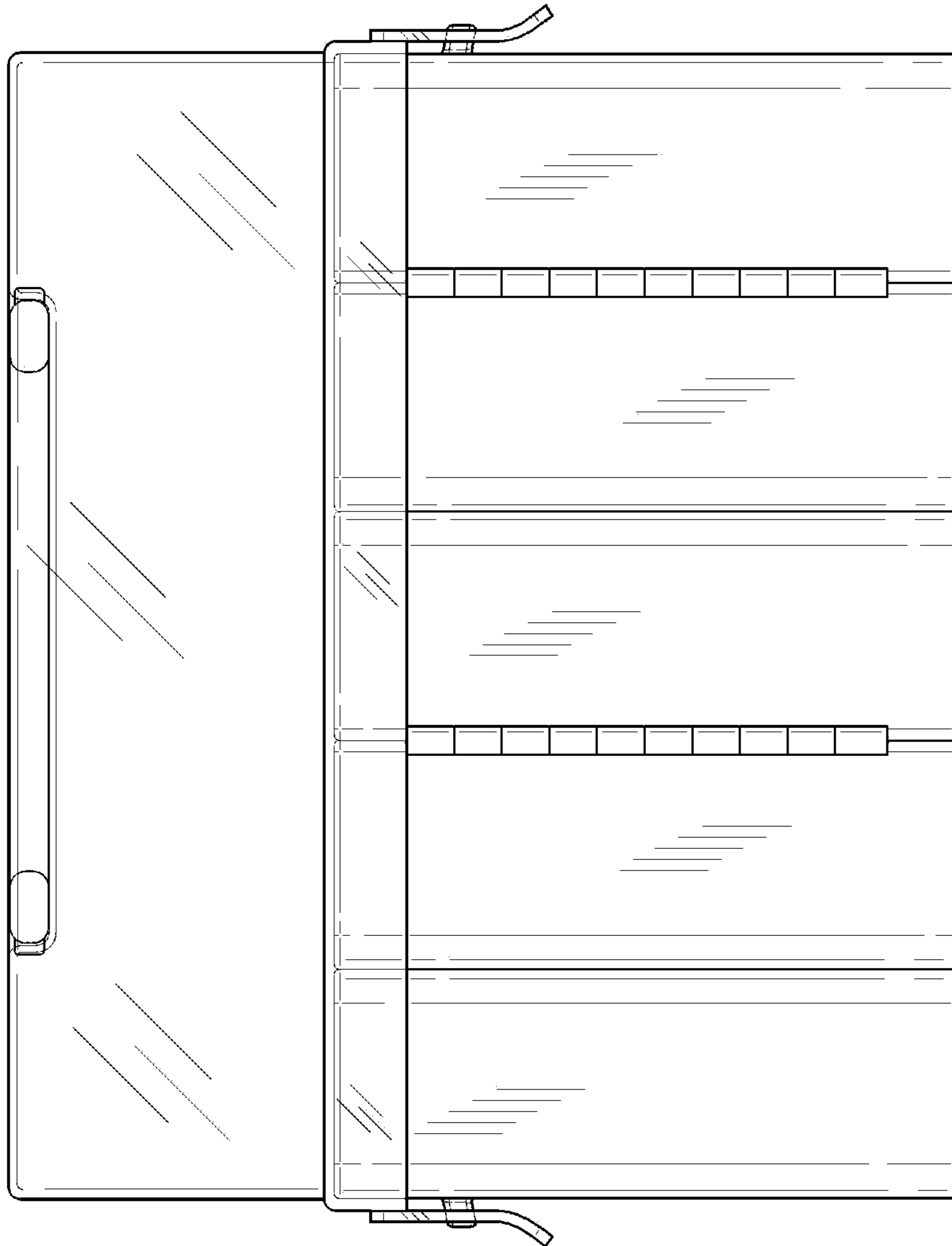


FIG. 2

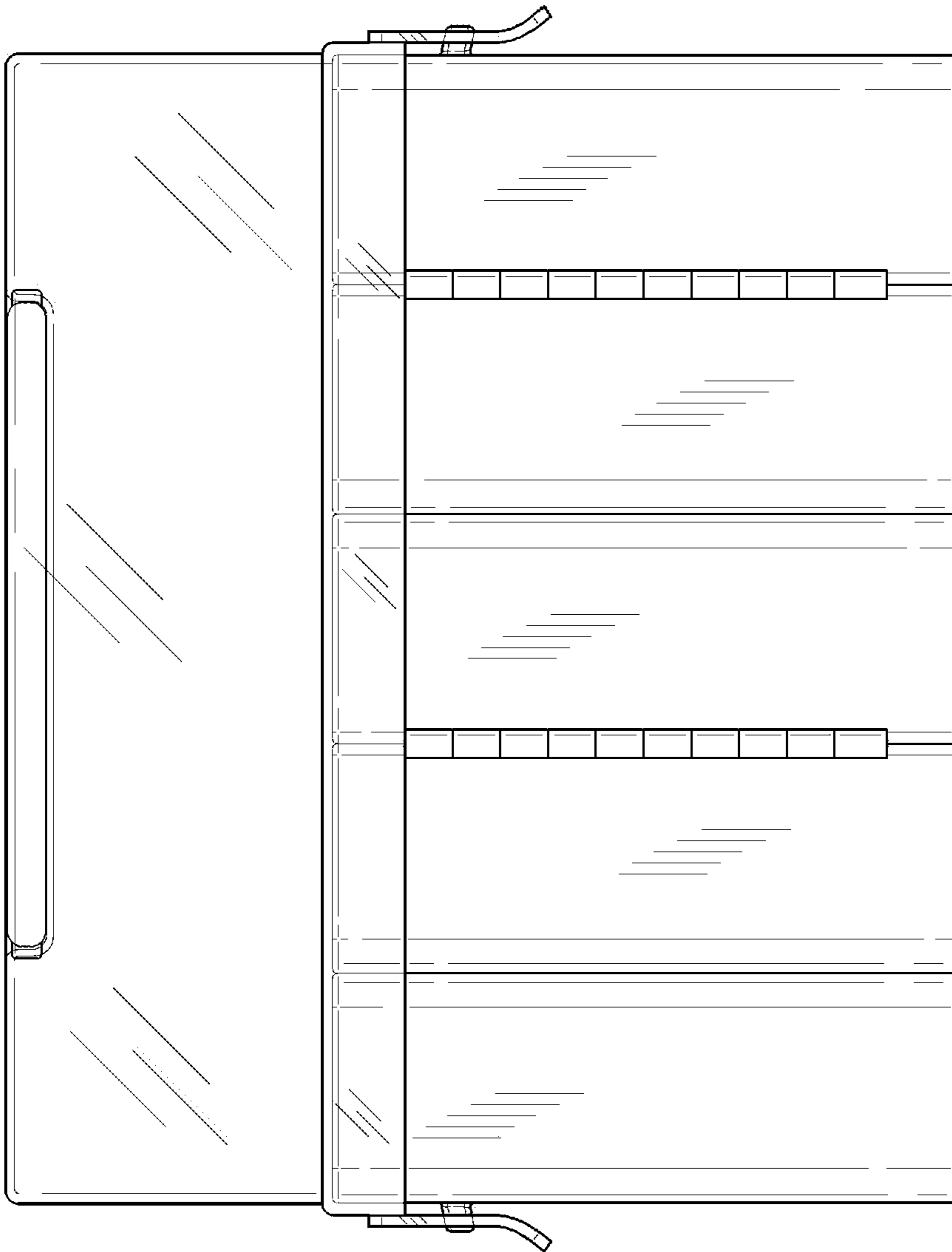


FIG. 3

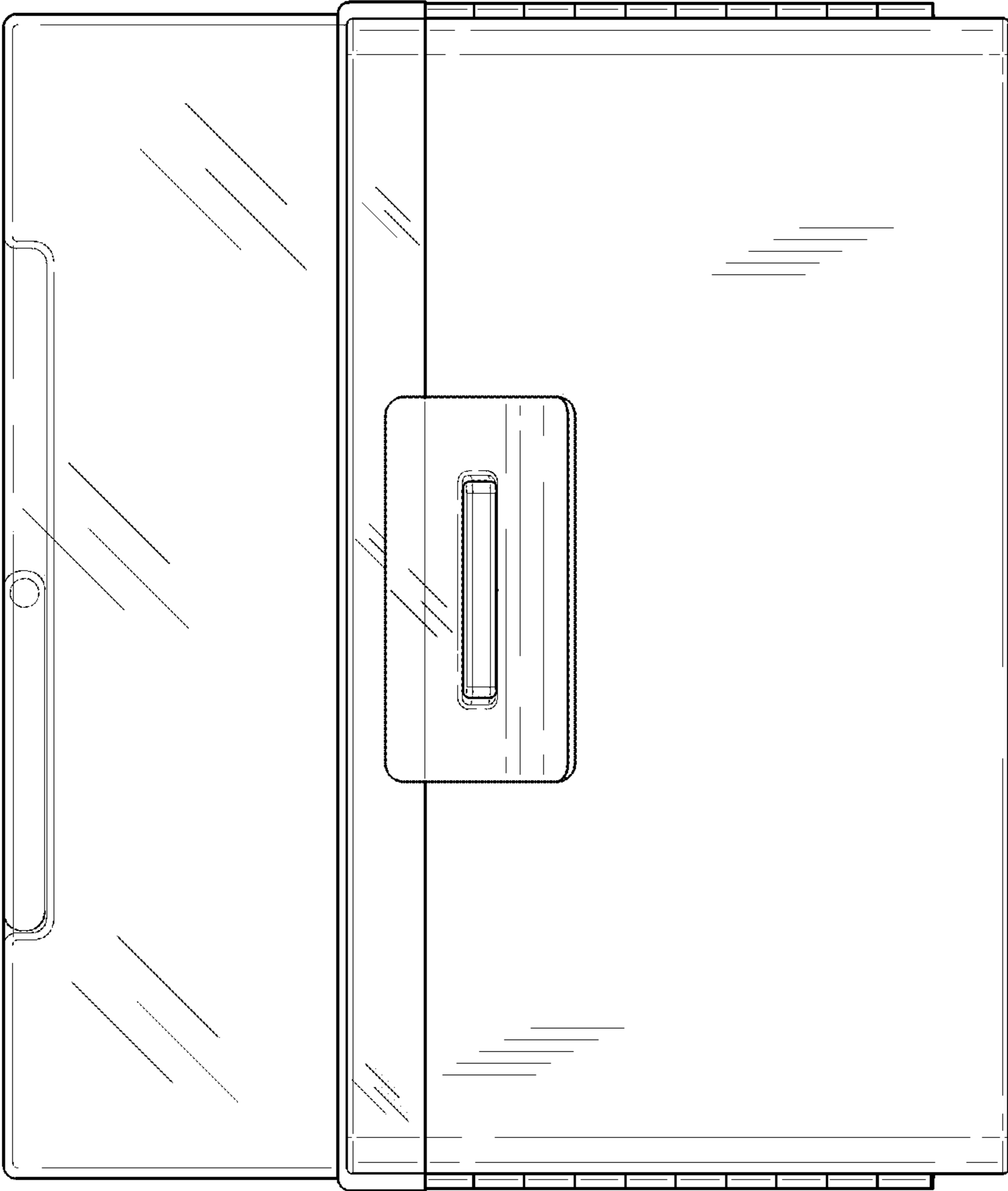


FIG. 4

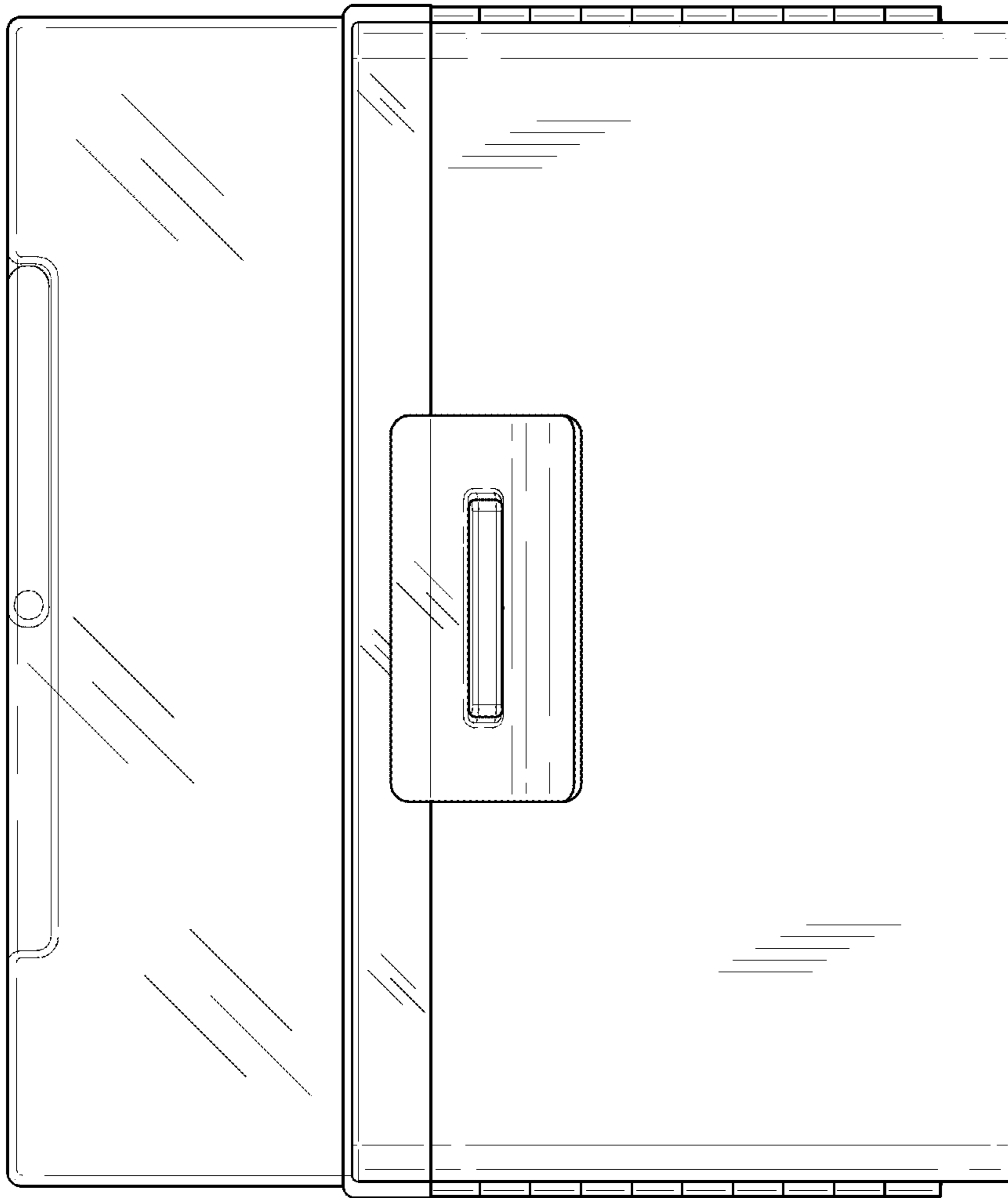


FIG. 5

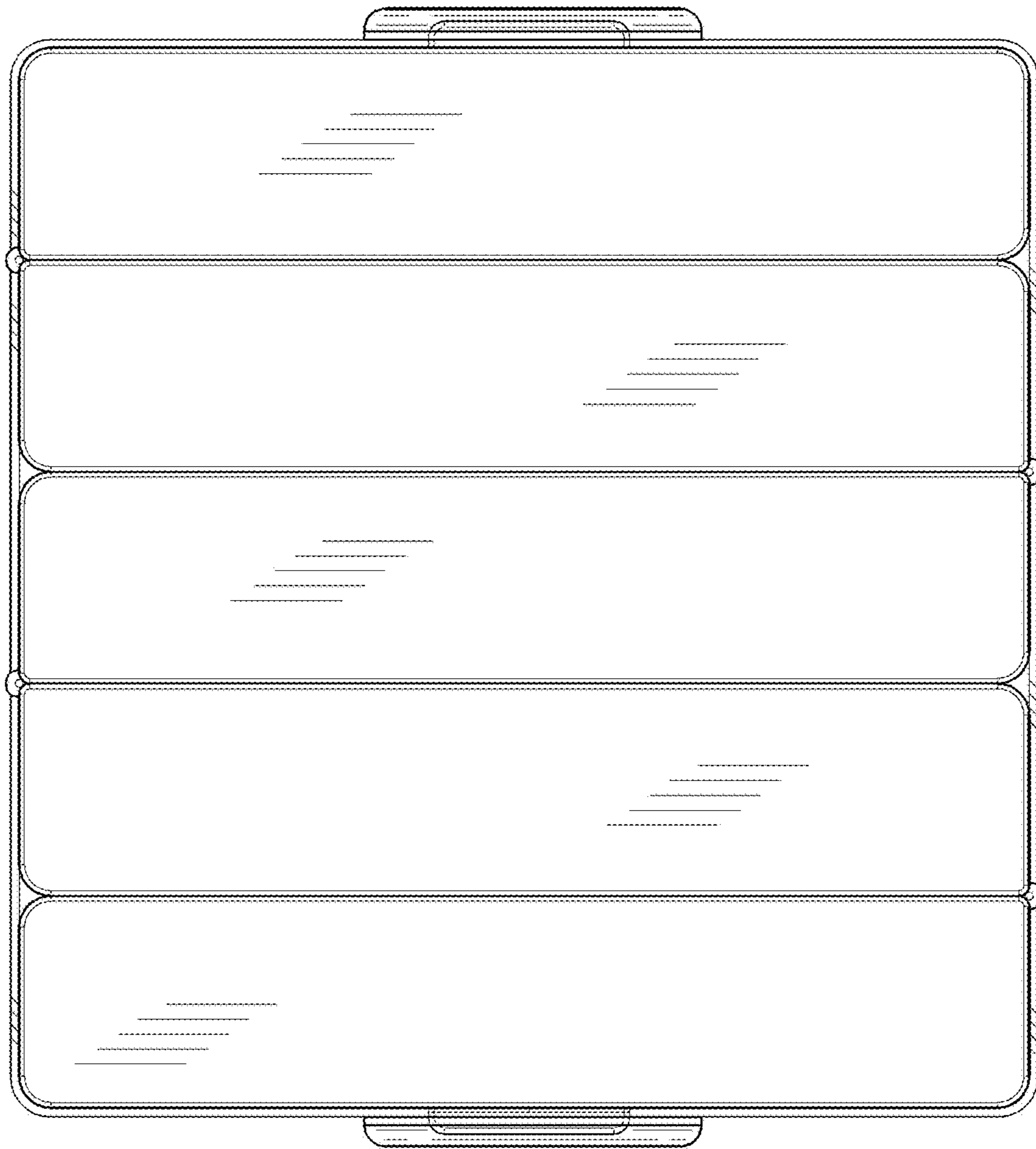


FIG. 6

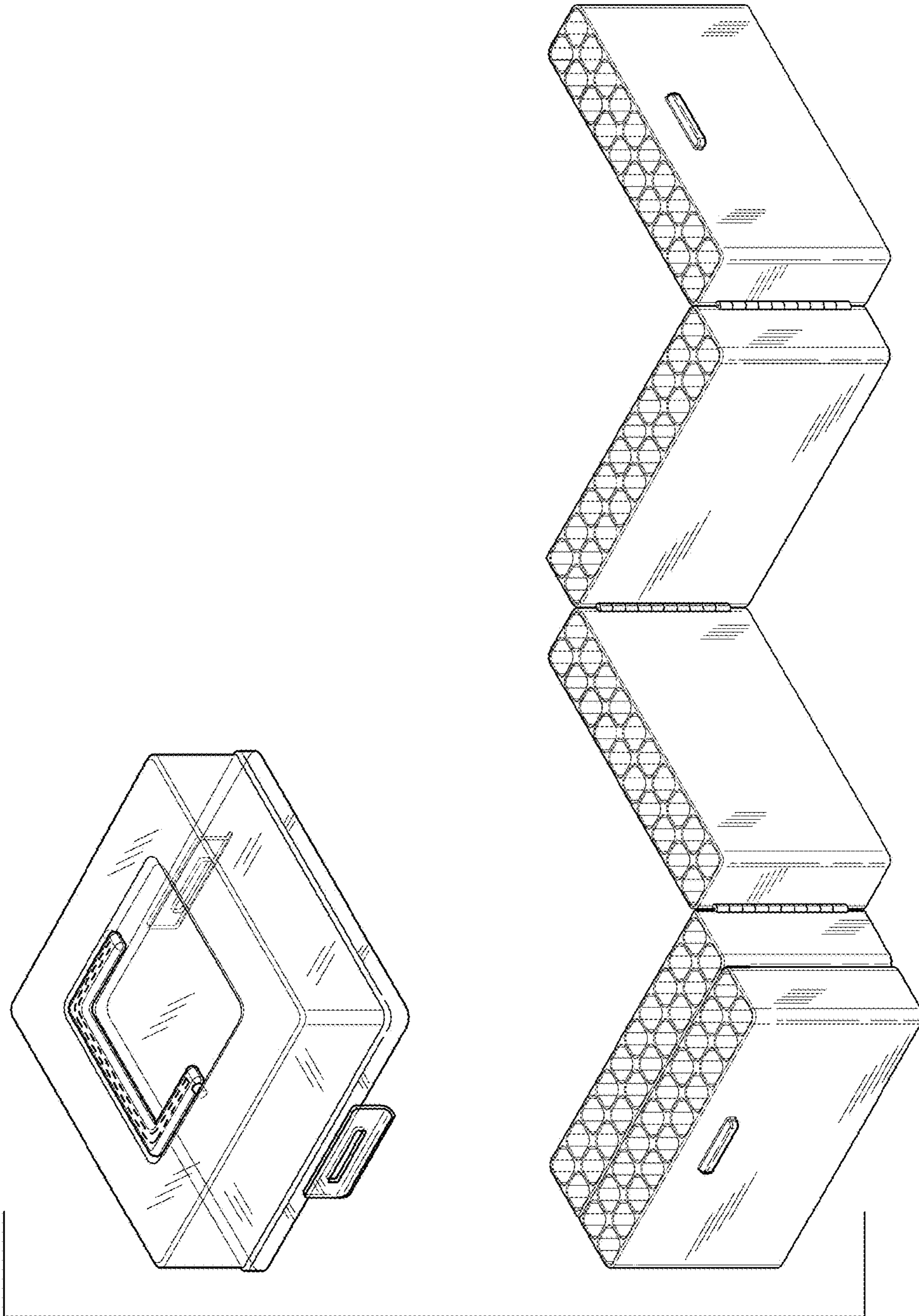


FIG. 7

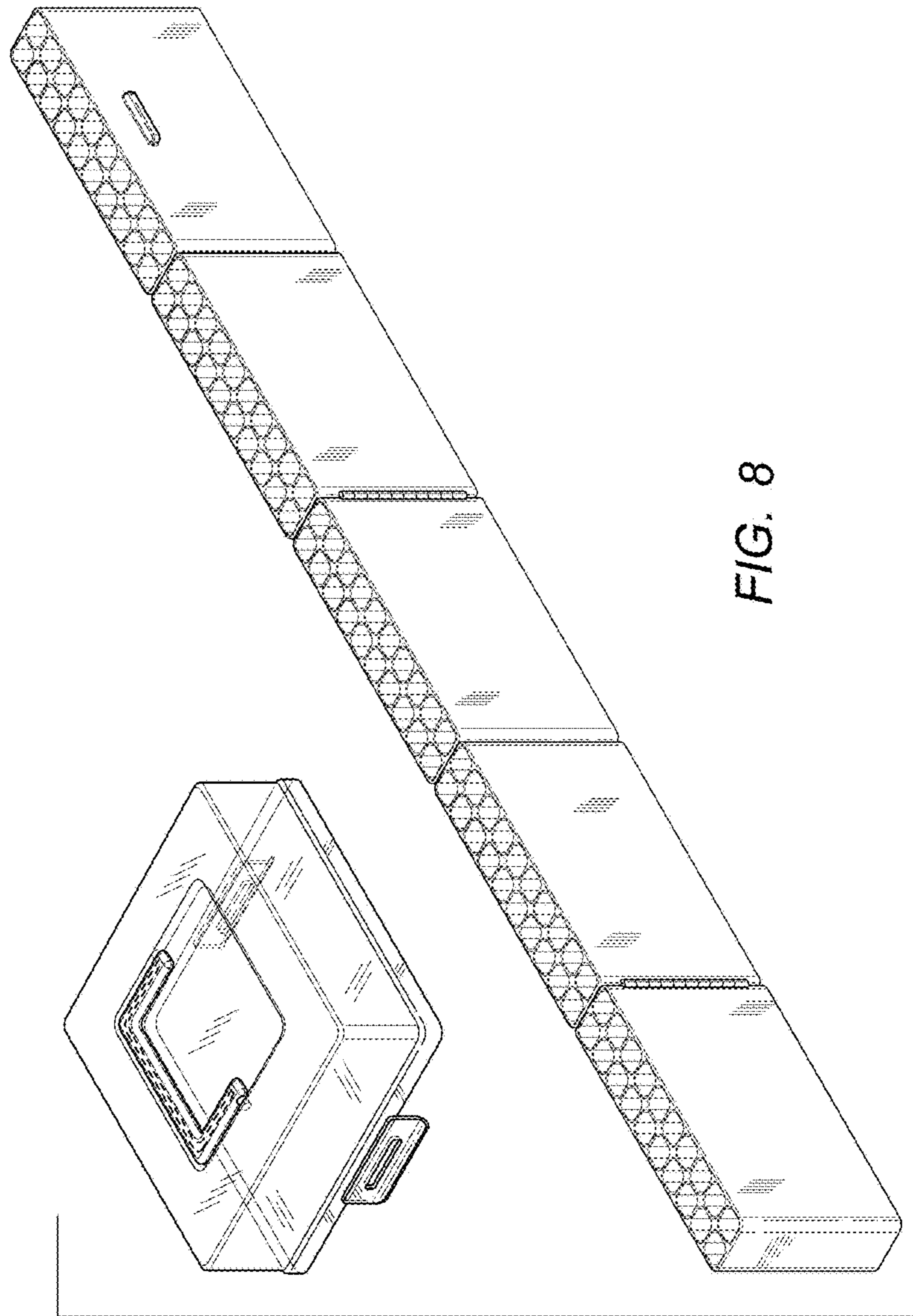


FIG. 8