



US00D794329S

(12) **United States Design Patent** (10) **Patent No.:** **US D794,329 S**  
**Knox** (45) **Date of Patent:** **\*\* Aug. 15, 2017**

(54) **CASE FOR GLASSES**  
(71) Applicant: **Bang Products Limited**, Haslemere (GB)  
(72) Inventor: **Stefan Knox**, Haslemere (GB)  
(73) Assignee: **Bang Products Limited**, Haslemere (GB)

D426,381 S \* 6/2000 Au ..... D3/201  
D439,738 S \* 4/2001 McCormack ..... D3/263  
D443,133 S \* 6/2001 Richardson ..... D3/215  
D462,837 S \* 9/2002 Lin ..... D3/263  
D472,377 S \* 4/2003 Tabacchi ..... D3/263  
D699,945 S \* 2/2014 Iacchetti ..... D3/265  
2016/0166027 A1\* 6/2016 Godart ..... A45C 11/04  
224/576

(\*\*) Term: **14 Years**  
(21) Appl. No.: **29/516,447**  
(22) Filed: **Feb. 2, 2015**

(30) **Foreign Application Priority Data**  
Aug. 1, 2014 (EM) ..... 002513937  
(51) **LOC (10) Cl.** ..... **03-01**  
(52) **U.S. Cl.**  
USPC ..... **D3/266**  
(58) **Field of Classification Search**  
USPC ..... D3/219, 252, 263-267, 271.9, 904  
CPC ..... A45C 11/04; A45C 11/005; A45C 11/38;  
A45C 11/06; A45C 2011/001; G02C  
3/04; A47F 7/021  
See application file for complete search history.

(56) **References Cited**  
**U.S. PATENT DOCUMENTS**  
368,720 A \* 8/1887 Johnston ..... A45C 11/04  
206/5  
1,809,155 A \* 6/1931 Bertram ..... A47F 7/021  
206/5  
D118,934 S \* 2/1940 Goldin ..... D3/265  
3,977,516 A \* 8/1976 Tilve ..... A45C 11/04  
206/5  
D246,140 S \* 10/1977 Johnson ..... D3/263  
D259,748 S \* 7/1981 Outcalt ..... D3/263  
D267,910 S \* 2/1983 Thomas ..... D3/264  
D383,602 S \* 9/1997 Theodosakis ..... D3/263  
D414,036 S \* 9/1999 Conway ..... D3/263

**OTHER PUBLICATIONS**

Bob: A home for your glasses and devices [online]. Kickstarter, Jun. 20, 2016 [retrieved on Nov. 4, 2016]. Retrieved from the Internet<<https://www.kickstarter.com/projects/784621861/bob-a-home-for-your-glasses-and-devices>>.\*

\* cited by examiner

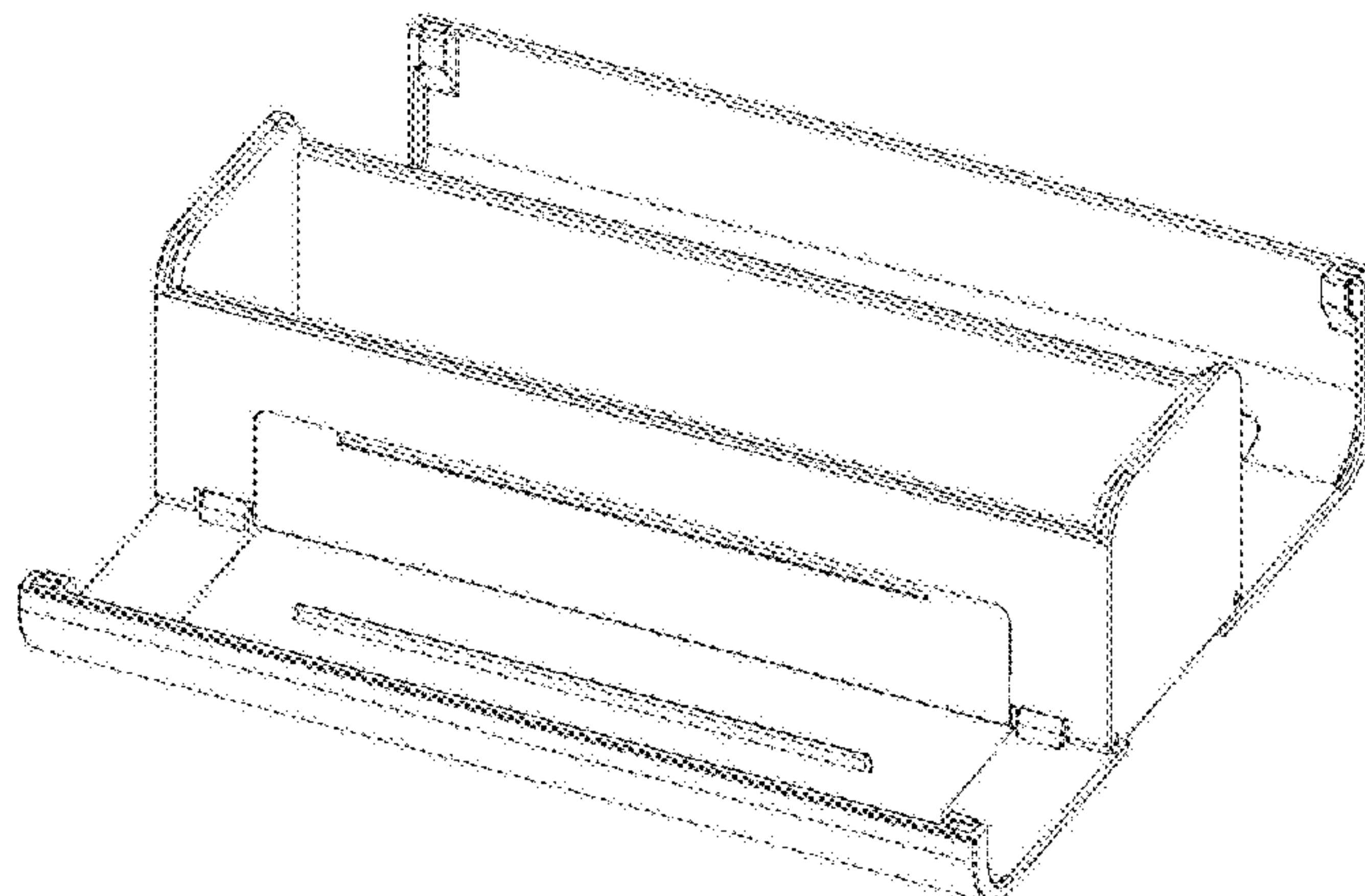
*Primary Examiner* — Mary Ann Calabrese  
*Assistant Examiner* — Sloan Rozin  
(74) *Attorney, Agent, or Firm* — Levy & Grandinetti

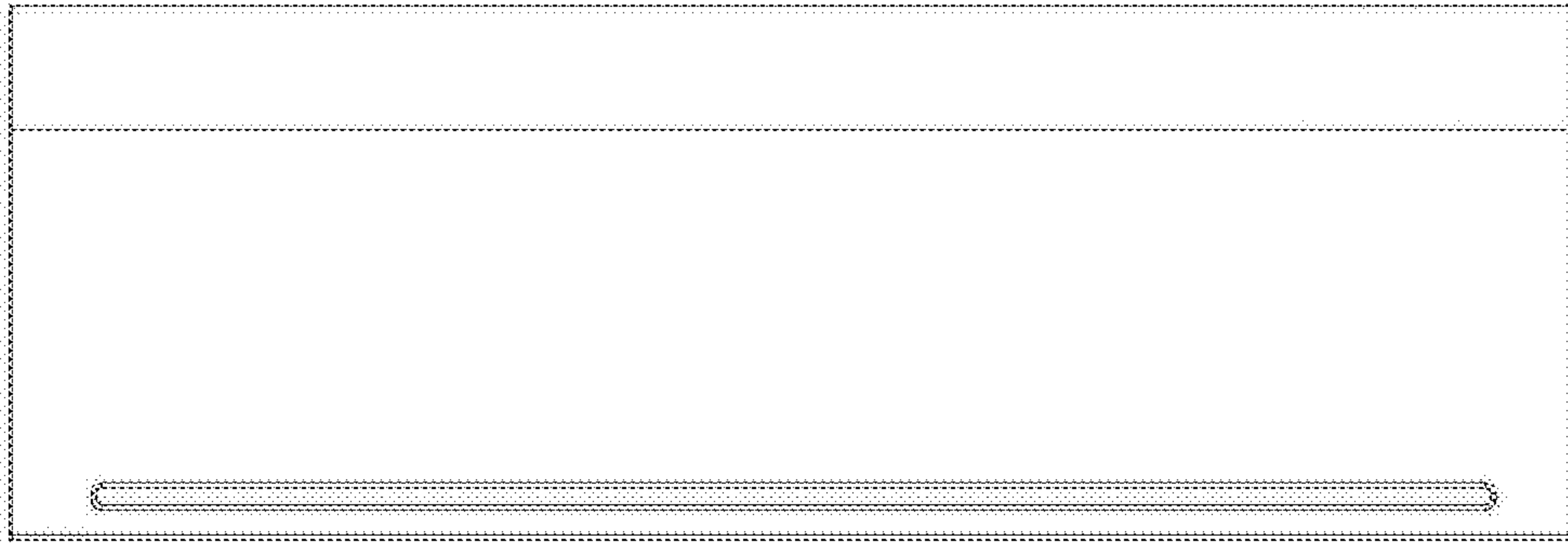
(57) **CLAIM**  
The ornamental design for case for glasses, as shown.

**DESCRIPTION**

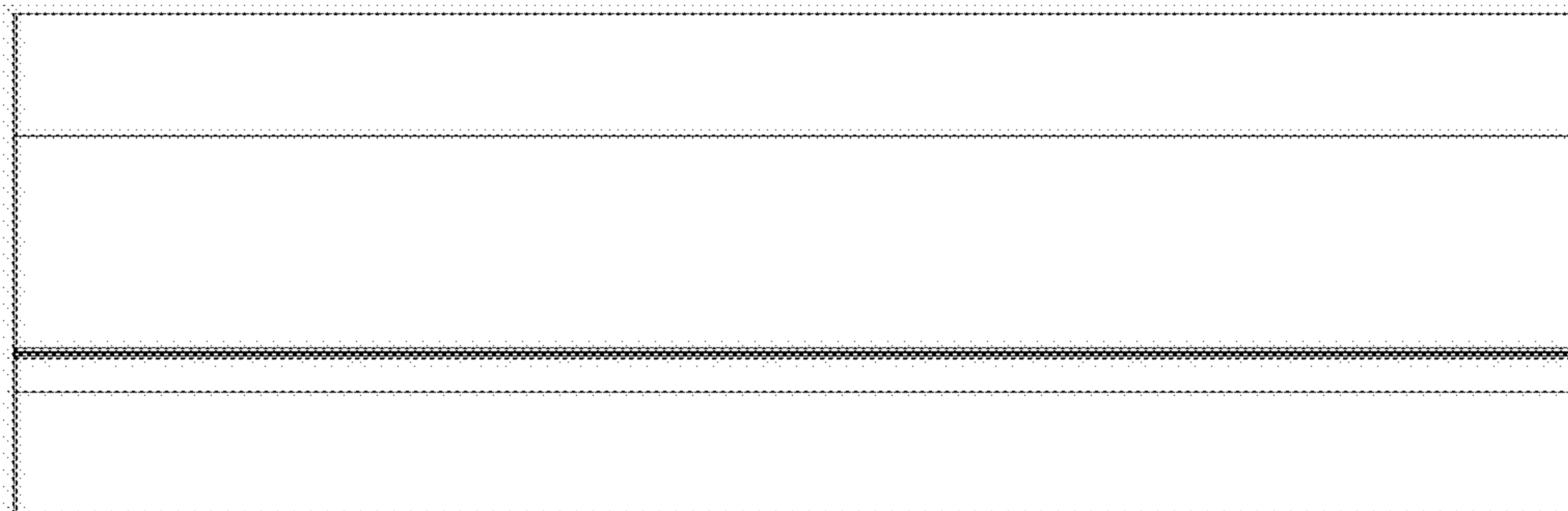
FIG. 1 is a front plan view of the case for glasses in a closed configuration showing my new design;  
FIG. 2 is a top plan view of the case for glasses of FIG. 1 in a closed configuration;  
FIG. 3 is a perspective view of the case for glasses of FIG. 1 in a closed configuration;  
FIG. 4 is a front view of the case for glasses of FIG. 1 in an open configuration;  
FIG. 5 is a top view of the case for glasses of FIG. 1 in an open configuration;  
FIG. 6 is a perspective view of the case for glasses of FIG. 1 in an open configuration; and,  
FIG. 7 is an end view of the case for glasses of FIG. 1 in an open configuration.

**1 Claim, 4 Drawing Sheets**





**Figure 1**



**Figure 2**

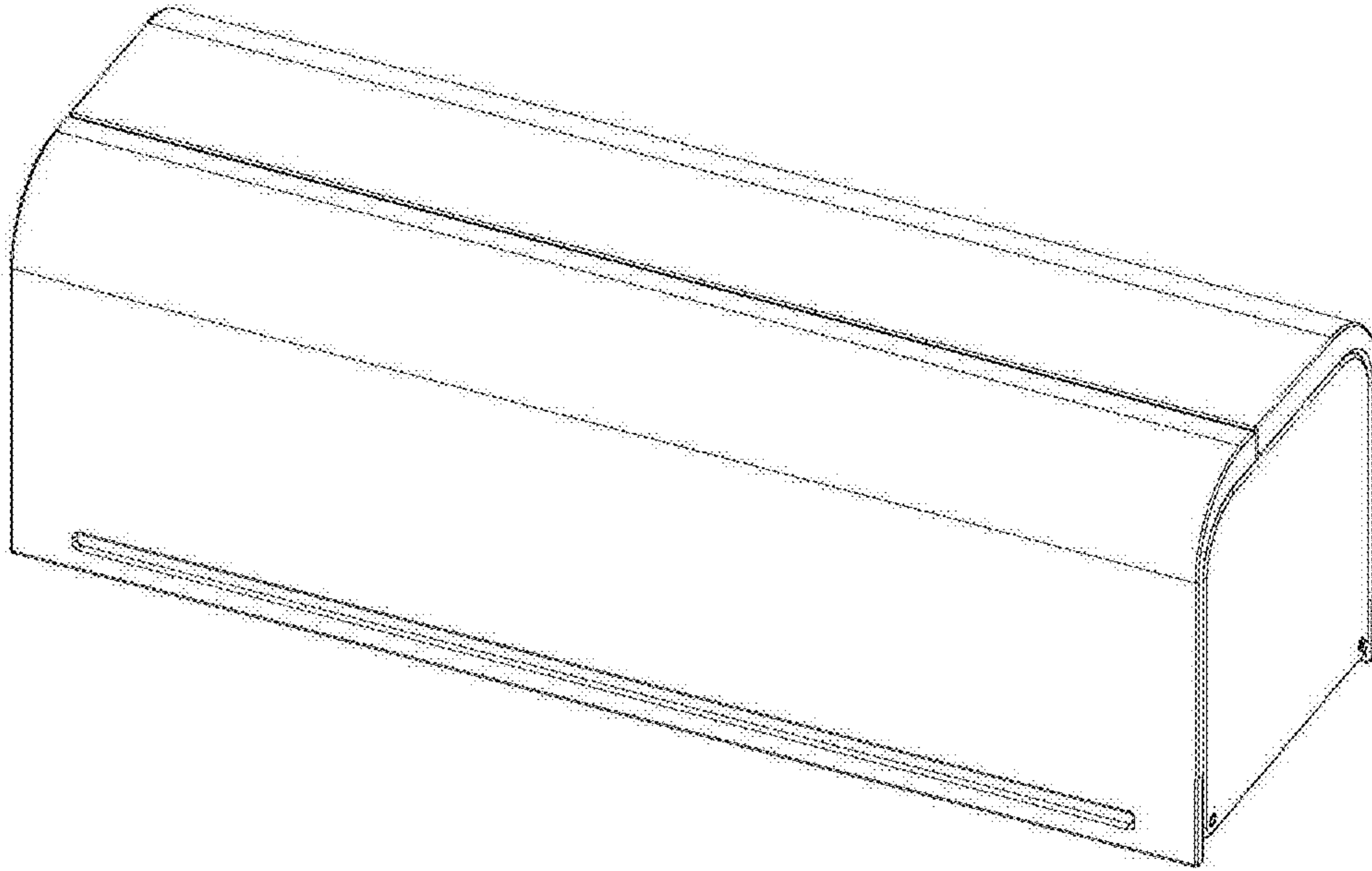


Figure 3

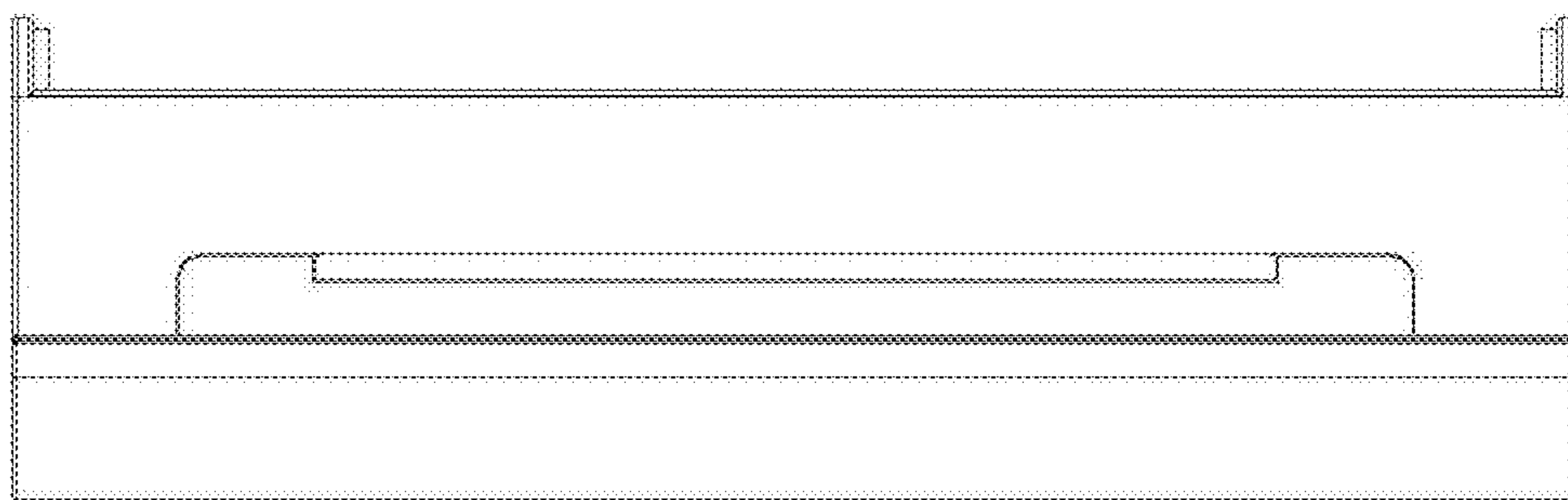


Figure 4

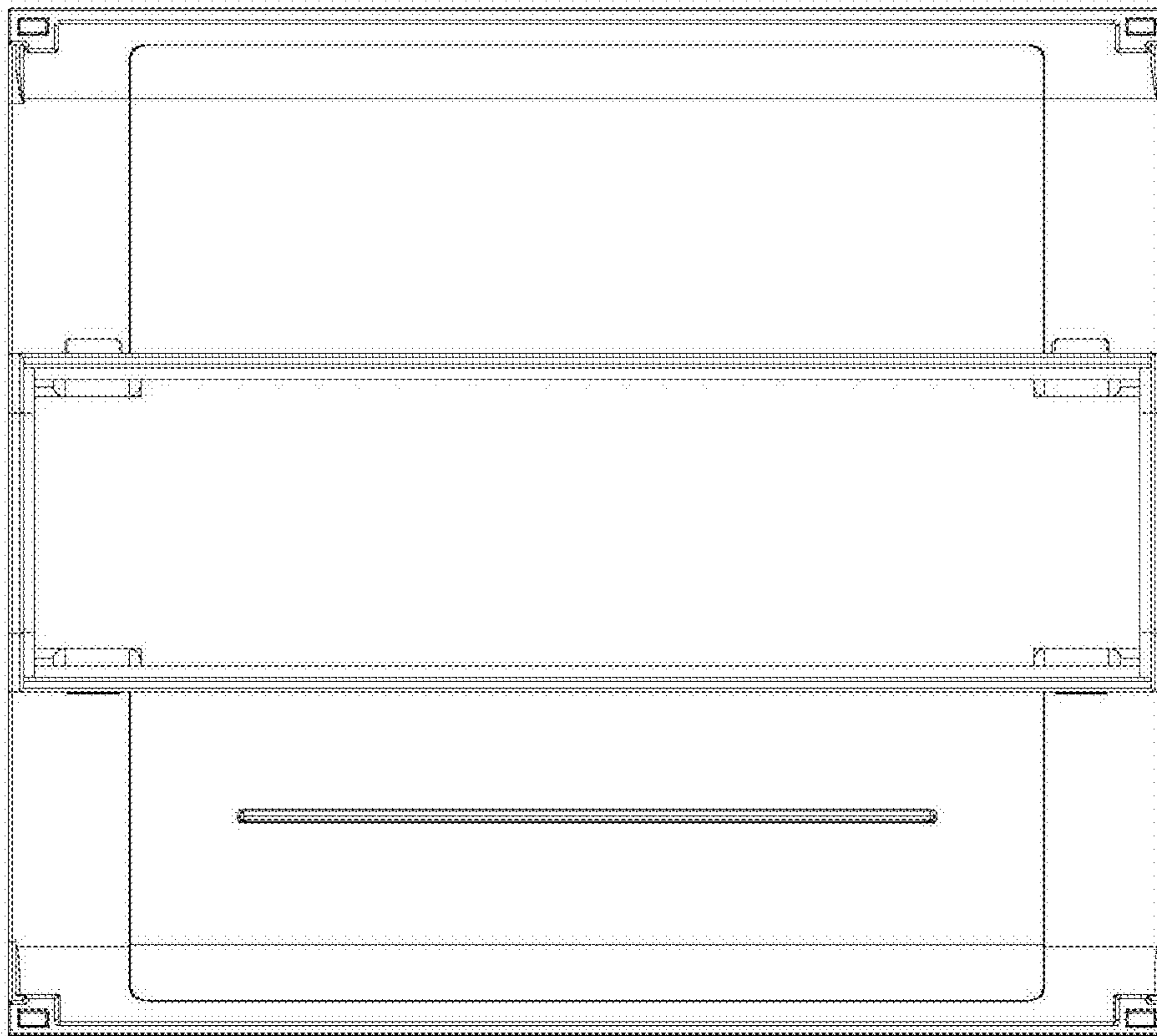


Figure 5

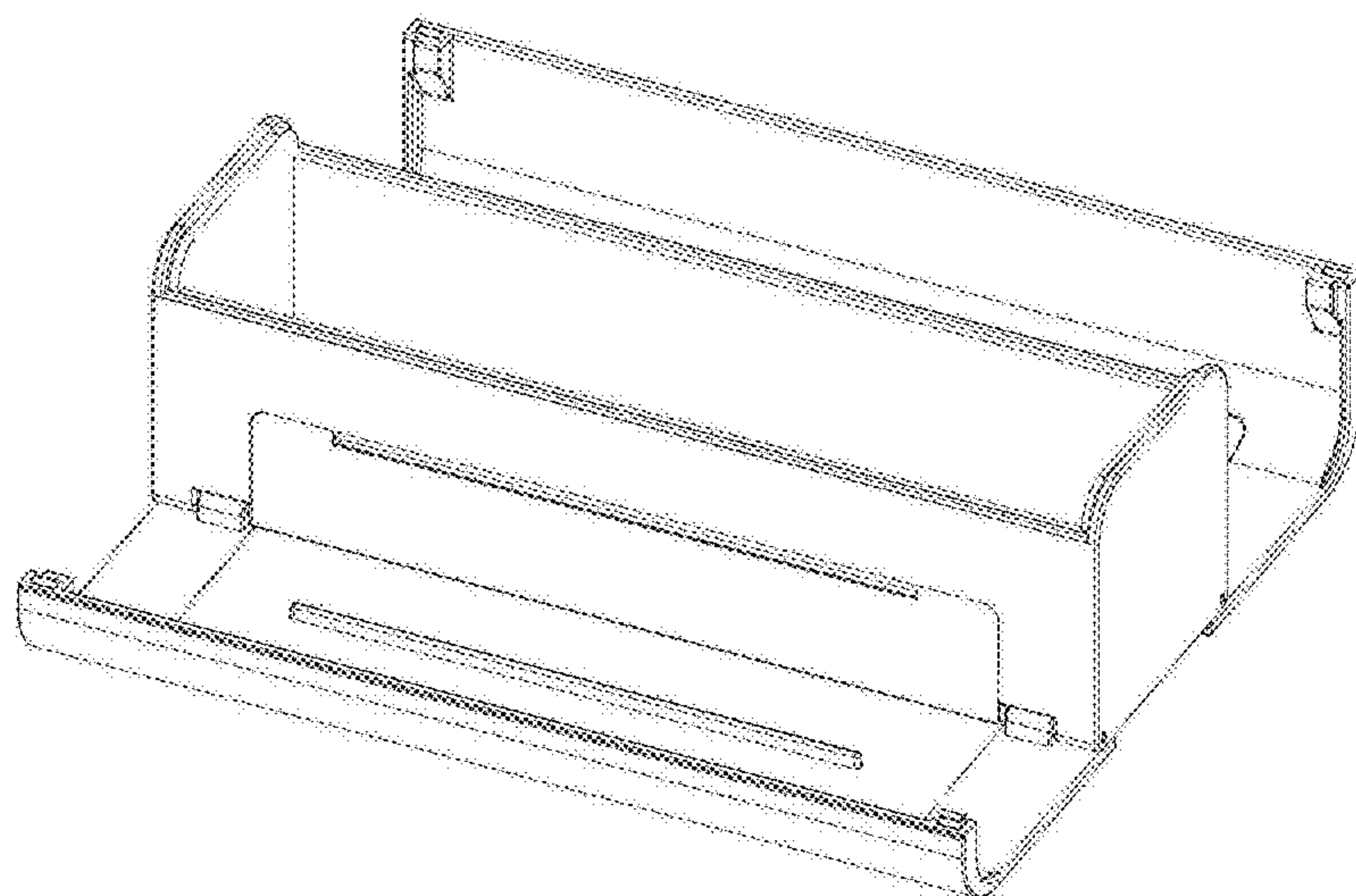


Figure 6

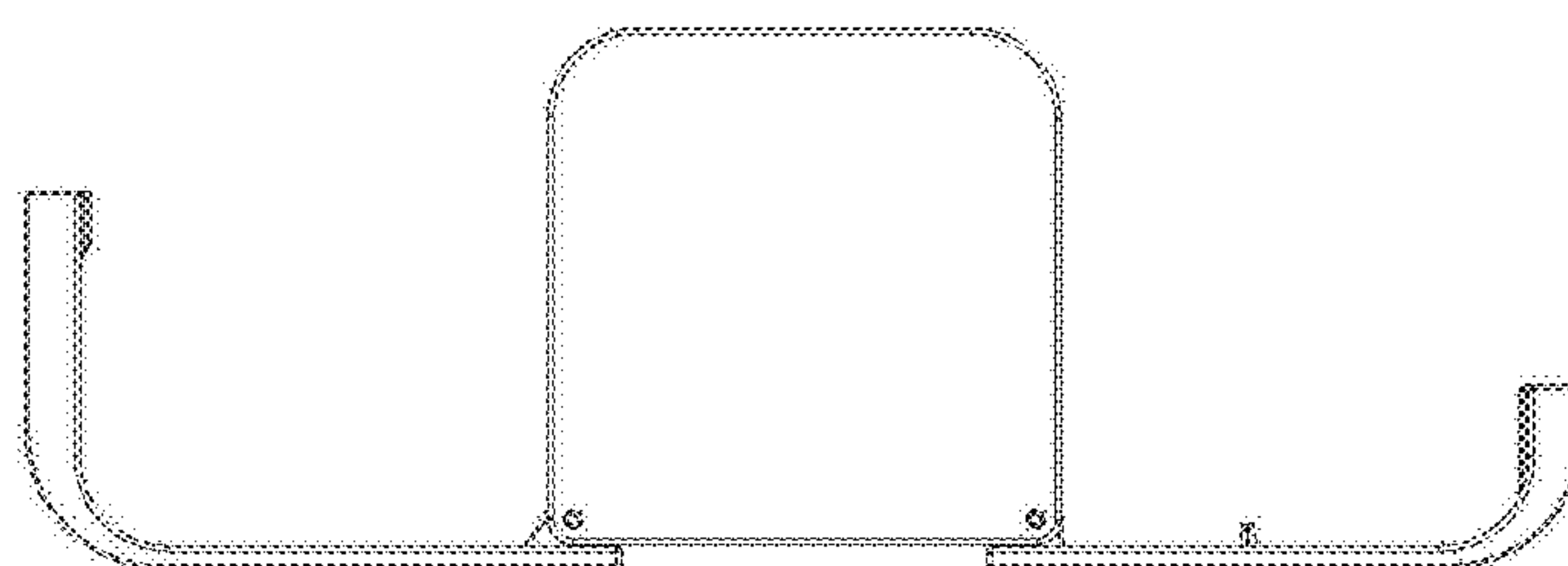


Figure 7