



US00D794325S

(12) **United States Design Patent**
Tobias

(10) **Patent No.:** **US D794,325 S**

(45) **Date of Patent:** **** Aug. 15, 2017**

(54) **TOTE BAG**

(71) Applicant: **PUSSER'S (2001) LTD.**, Tortola (VG)

(72) Inventor: **Charles Tobias**, Tortola (VG)

(73) Assignee: **PUSSERS IP HOLDINGS LTD.**, Road Town, Tortola (VG)

(**) Term: **15 Years**

(21) Appl. No.: **29/561,459**

(22) Filed: **Apr. 15, 2016**

(51) **LOC (10) Cl.** **03-01**

(52) **U.S. Cl.**
USPC **D3/232**

(58) **Field of Classification Search**
USPC D3/232-233, 240-243, 245-246
CPC A45C 1/024; A45C 3/06
See application file for complete search history.

(56) **References Cited**

U.S. PATENT DOCUMENTS

- 2,691,401 A * 10/1954 Kontoff A45C 11/38
190/111
- D330,281 S * 10/1992 Siris D3/285

- D378,709 S * 4/1997 Jacobs D3/233
- D587,451 S * 3/2009 Guichot D3/246
- D727,617 S * 4/2015 Chehebar D3/233
- D731,788 S * 6/2015 Joo D3/233

* cited by examiner

Primary Examiner — Holly Baynham

(74) *Attorney, Agent, or Firm* — Birch, Stewart, Kolasch & Birch, LLP

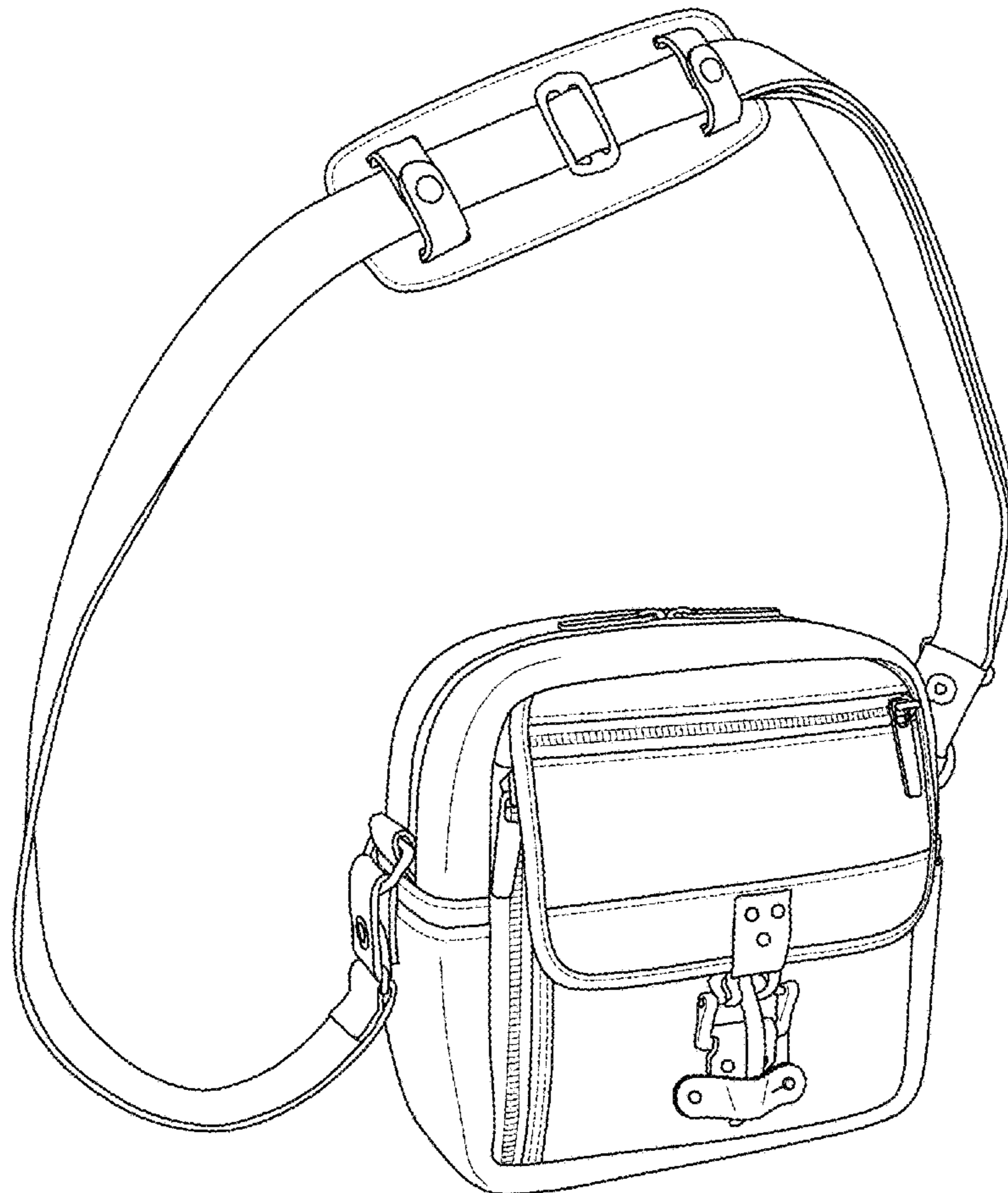
(57) **CLAIM**

The ornamental design for a tote bag, as shown and described.

DESCRIPTION

FIG. 1 is a front perspective view of a tote bag showing my new design;
 FIG. 2 is a front elevational view thereof;
 FIG. 3 is a rear elevational thereof;
 FIG. 4 is a left side elevational view thereof, the right side being a mirror image thereof;
 FIG. 5 is a top plan view thereof; and,
 FIG. 6 is a bottom plan view thereof.
 The broken lines representing stitching are part of the claimed design.

1 Claim, 5 Drawing Sheets



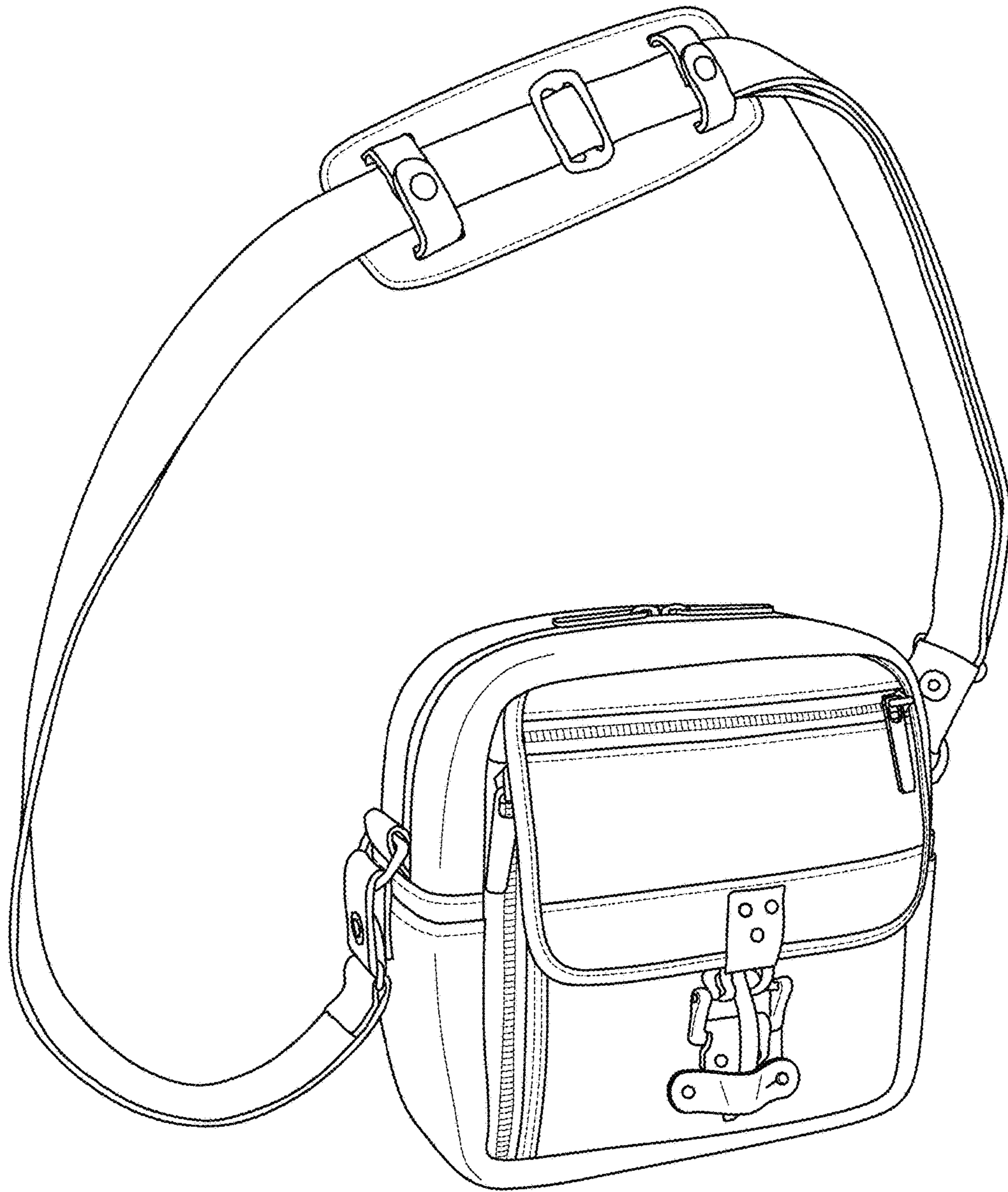


FIG. 1

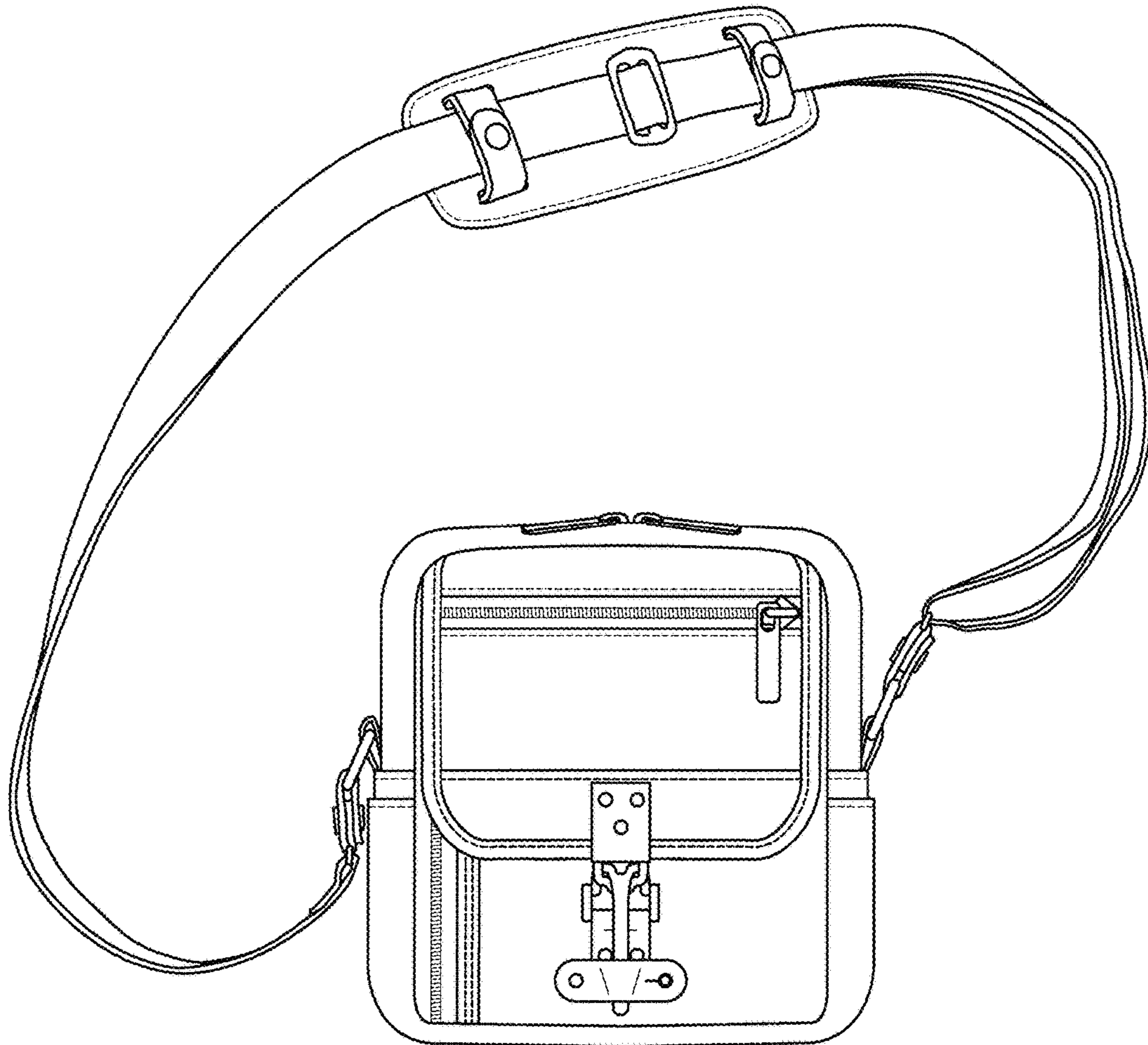


FIG. 2

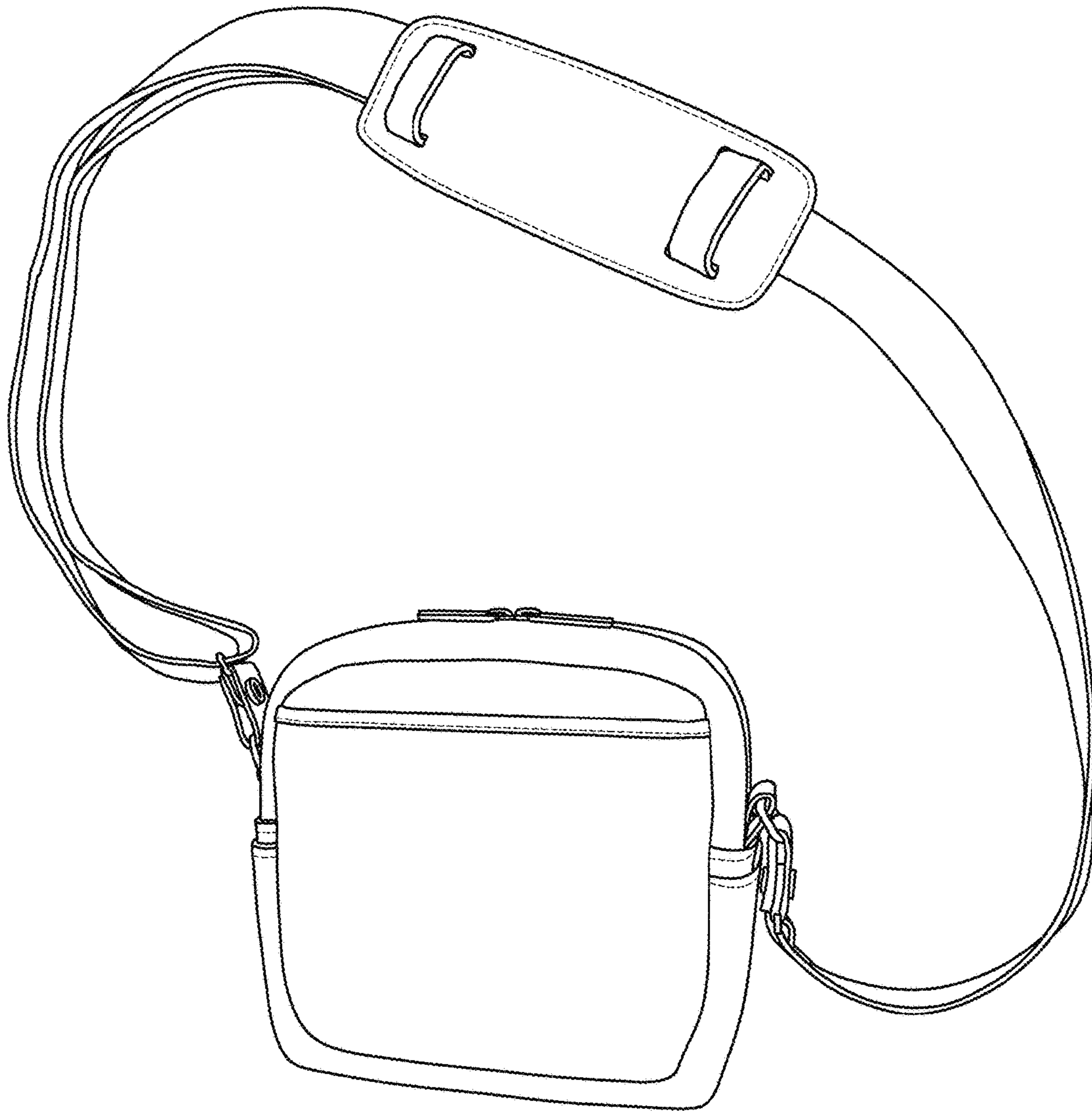


FIG. 3

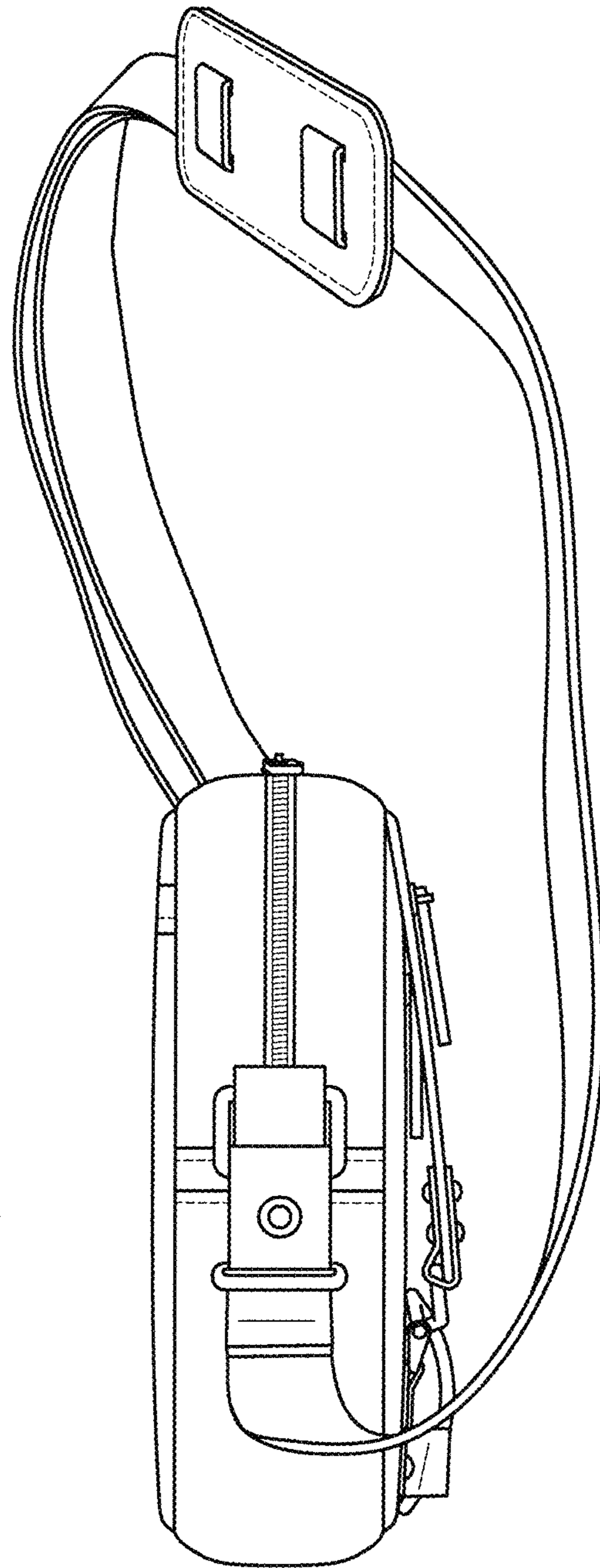


FIG. 4

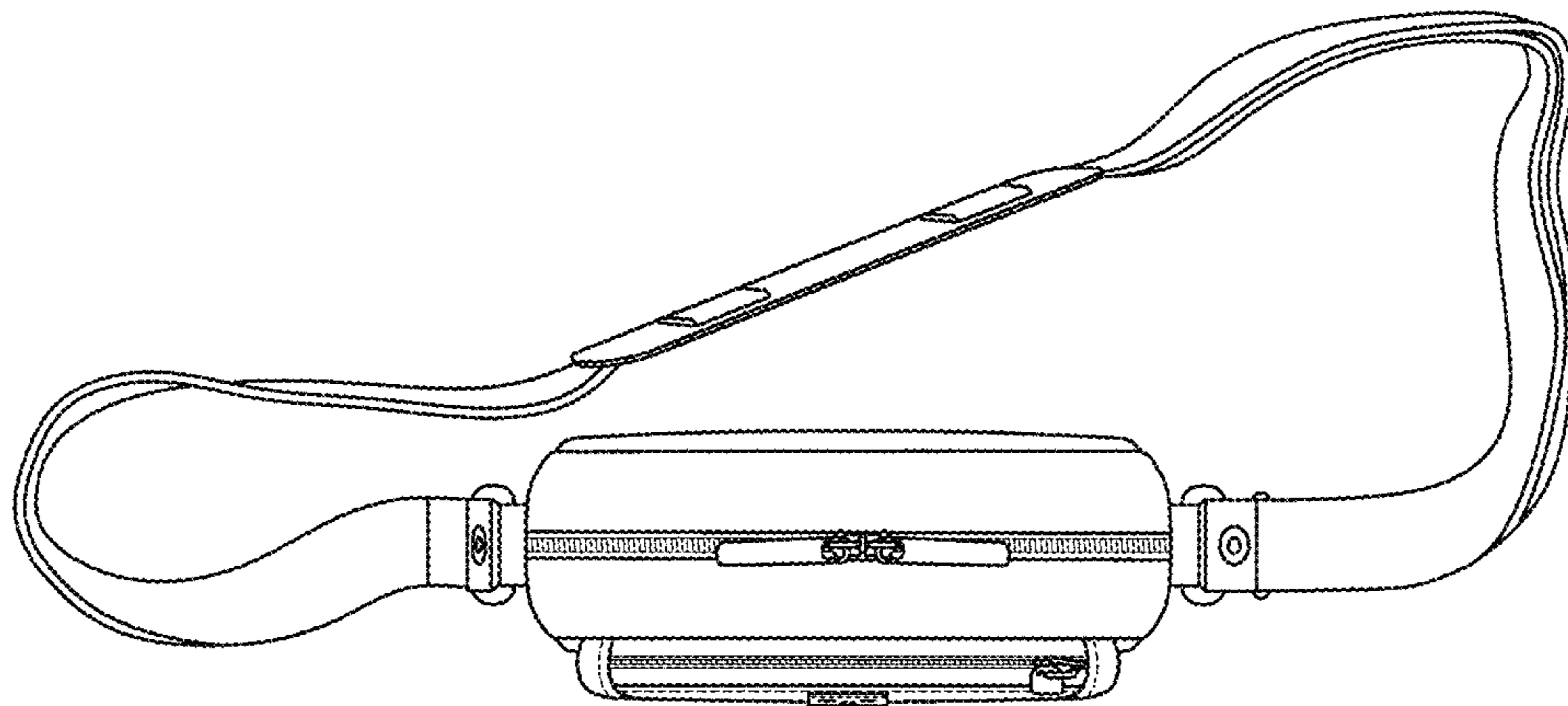


FIG. 5

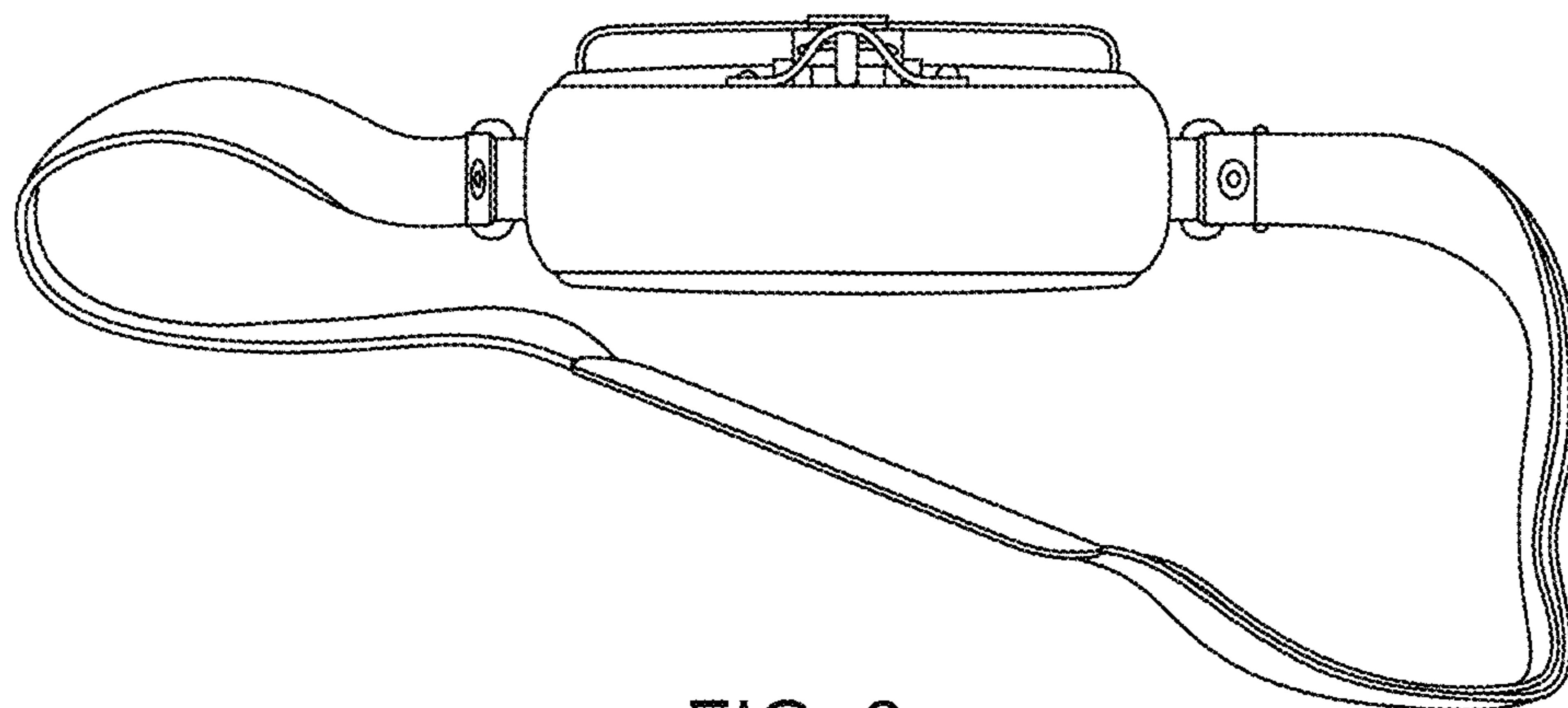


FIG. 6