



US00D794324S

(12) **United States Design Patent**
Roccisano

(10) **Patent No.:** **US D794,324 S**

(45) **Date of Patent:** **** Aug. 15, 2017**

(54) **MOLLE POUCH HOLSTER**

D630,428 S * 1/2011 Hong D3/222
D637,394 S * 5/2011 Cunningham D3/226

(71) Applicant: **Pietro G. Roccisano**, Coral Springs, FL
(US)

* cited by examiner

(72) Inventor: **Pietro G. Roccisano**, Coral Springs, FL
(US)

Primary Examiner — Catheri Oliver-Garcia

(74) *Attorney, Agent, or Firm* — H. John Rizvi; Gold &
Rizvi, P.A.

(**) Term: **15 Years**

(57) **CLAIM**

I claim the ornamental design for a molle pouch holster, as
shown and described.

(21) Appl. No.: **29/557,063**

(22) Filed: **Mar. 4, 2016**

DESCRIPTION

(51) **LOC (10) Cl.** **03-01**

(52) **U.S. Cl.**
USPC **D3/222; D3/226**

(58) **Field of Classification Search**
USPC D3/222–223, 224, 226, 228; 224/222,
224/240, 253, 267, 681–682, 901, 901.4,
224/191–193, 197–198, 238, 243, 911
CPC A45C 1/04; A45C 7/00; A45F 5/00; A45F
5/02; A45F 5/021; A45F 2005/008; A45F
2200/0575; A45F 2200/0591; F42B 39/02
See application file for complete search history.

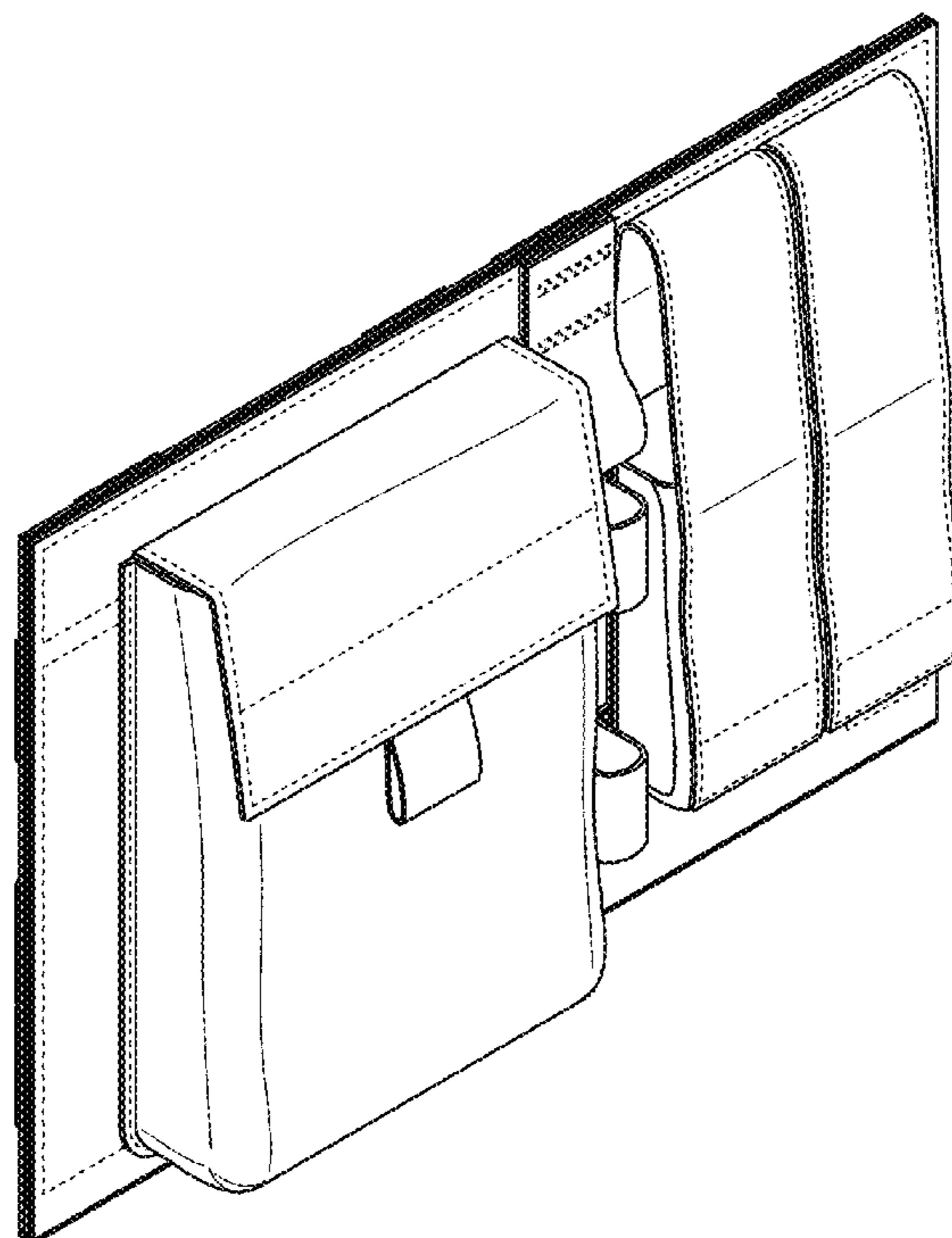
FIG. 1 is a top front perspective view of my new design,
shown in a closed position;
FIG. 2 is a top front perspective view of my new design,
shown in an open position;
FIG. 3 is a top rear perspective view of my new design,
shown in the closed position of FIG. 1;
FIG. 4 is a front elevation view of my new design, shown in
the closed position of FIG. 1;
FIG. 5 is a rear elevation view of my new design, shown in
the closed position of FIG. 1;
FIG. 6 is a right side elevation view of my new design,
shown in the closed position of FIG. 1;
FIG. 7 is a left side elevation view of my new design, shown
in the closed position of FIG. 1;
FIG. 8 is a top plan view of my new design, shown in the
closed position of FIG. 1; and,
FIG. 9 is a bottom plan view of my new design, shown in the
closed position of FIG. 1.
The broken lines shown in the drawings reflect stitching and
form no part of the claimed design.

(56) **References Cited**

U.S. PATENT DOCUMENTS

4,047,650 A * 9/1977 Domingos A45F 5/02
224/223
4,119,249 A * 10/1978 Hanson A45F 5/021
224/236
D279,427 S * 7/1985 Emery D3/222
D431,718 S * 10/2000 Perry D3/226
D519,276 S * 4/2006 Jameson D3/226

1 Claim, 7 Drawing Sheets



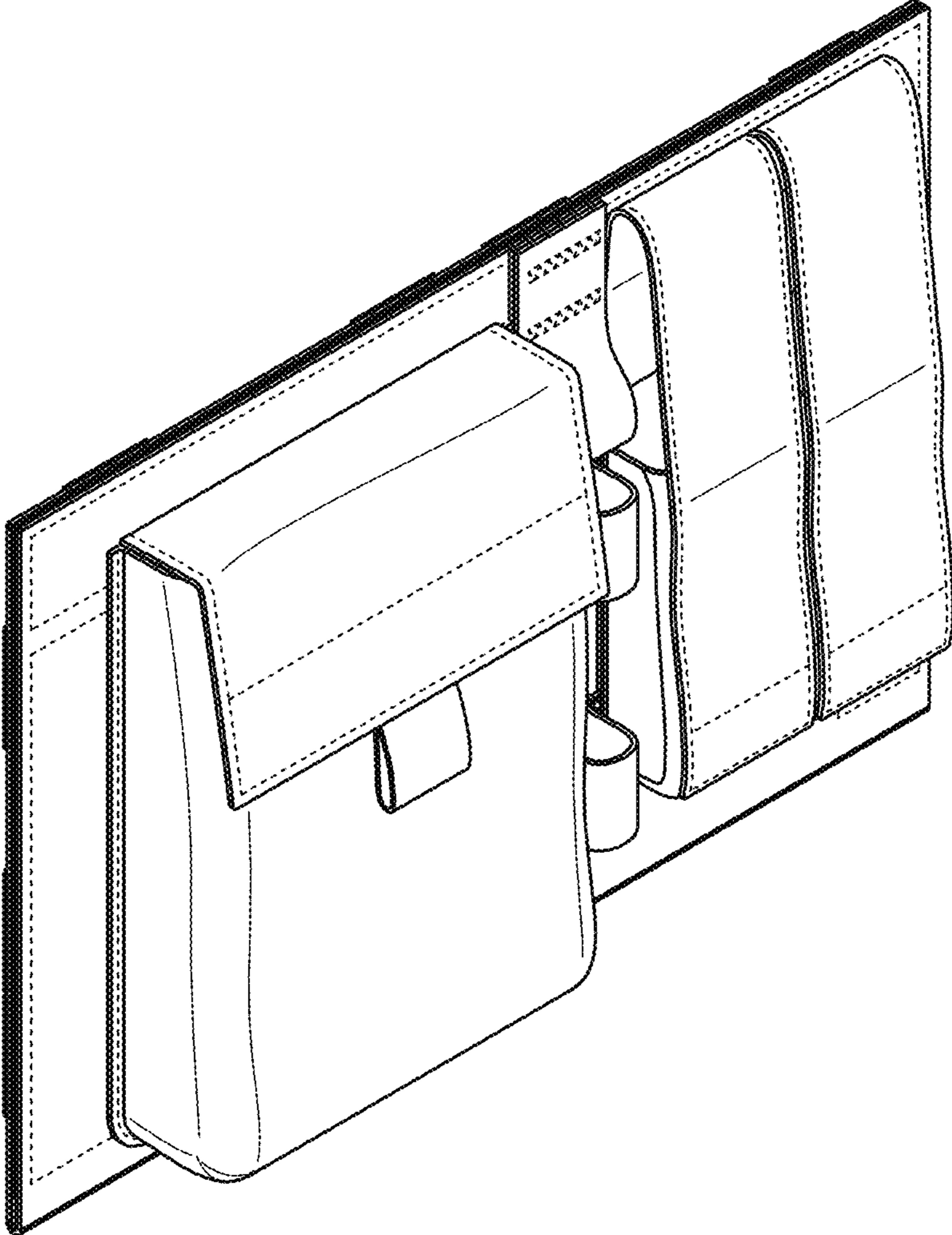


FIG. 1

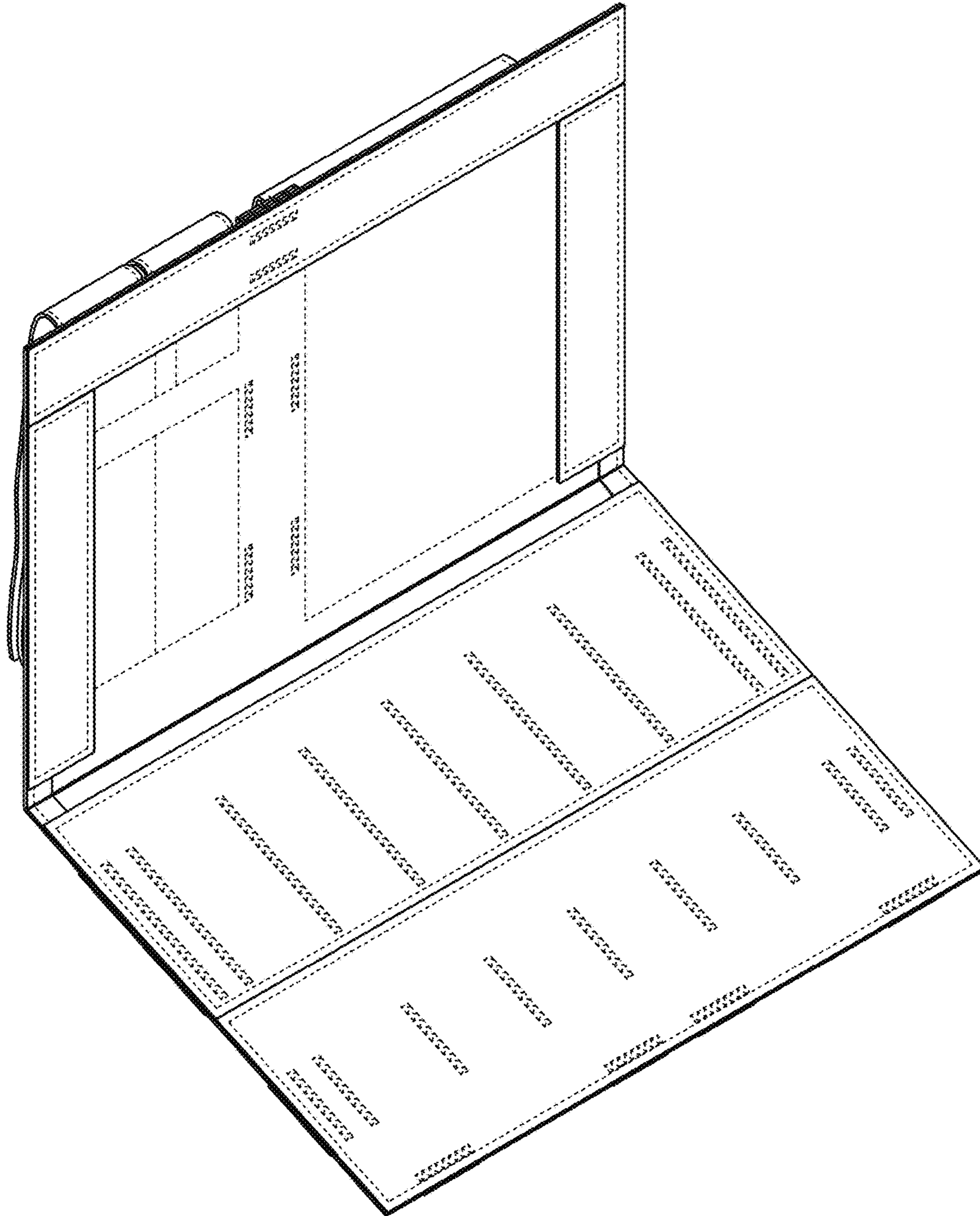


FIG. 2

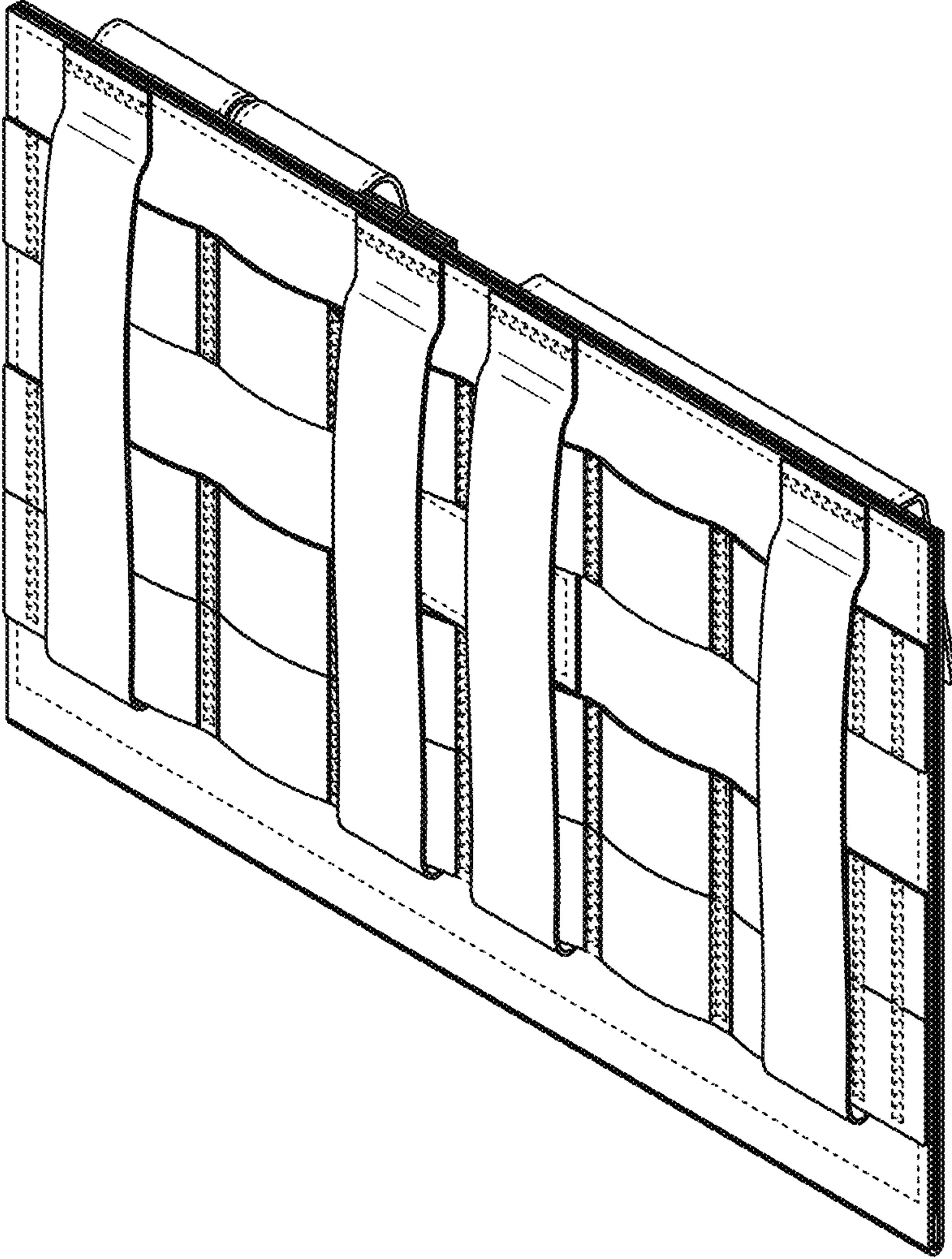


FIG. 3

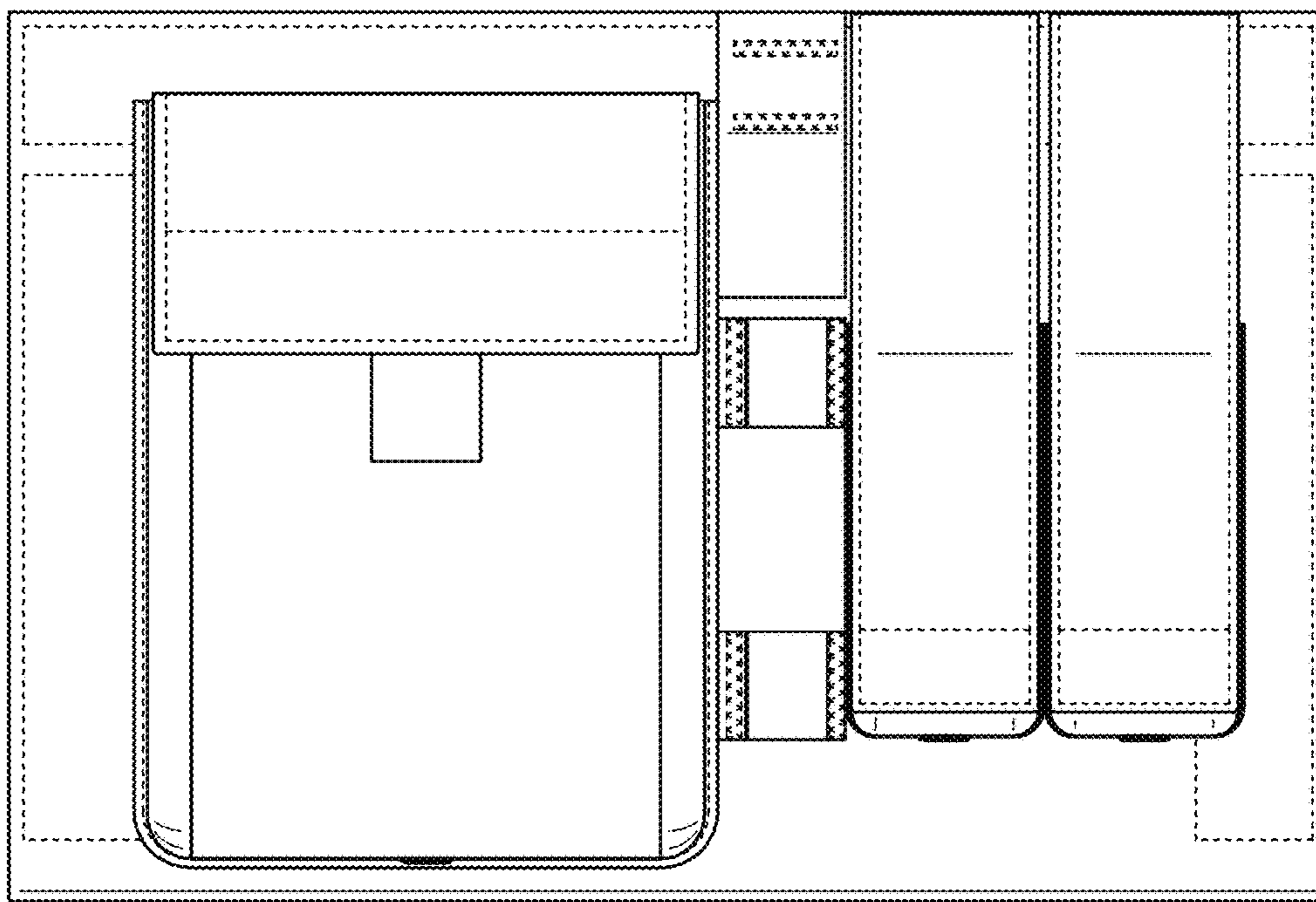


FIG. 4

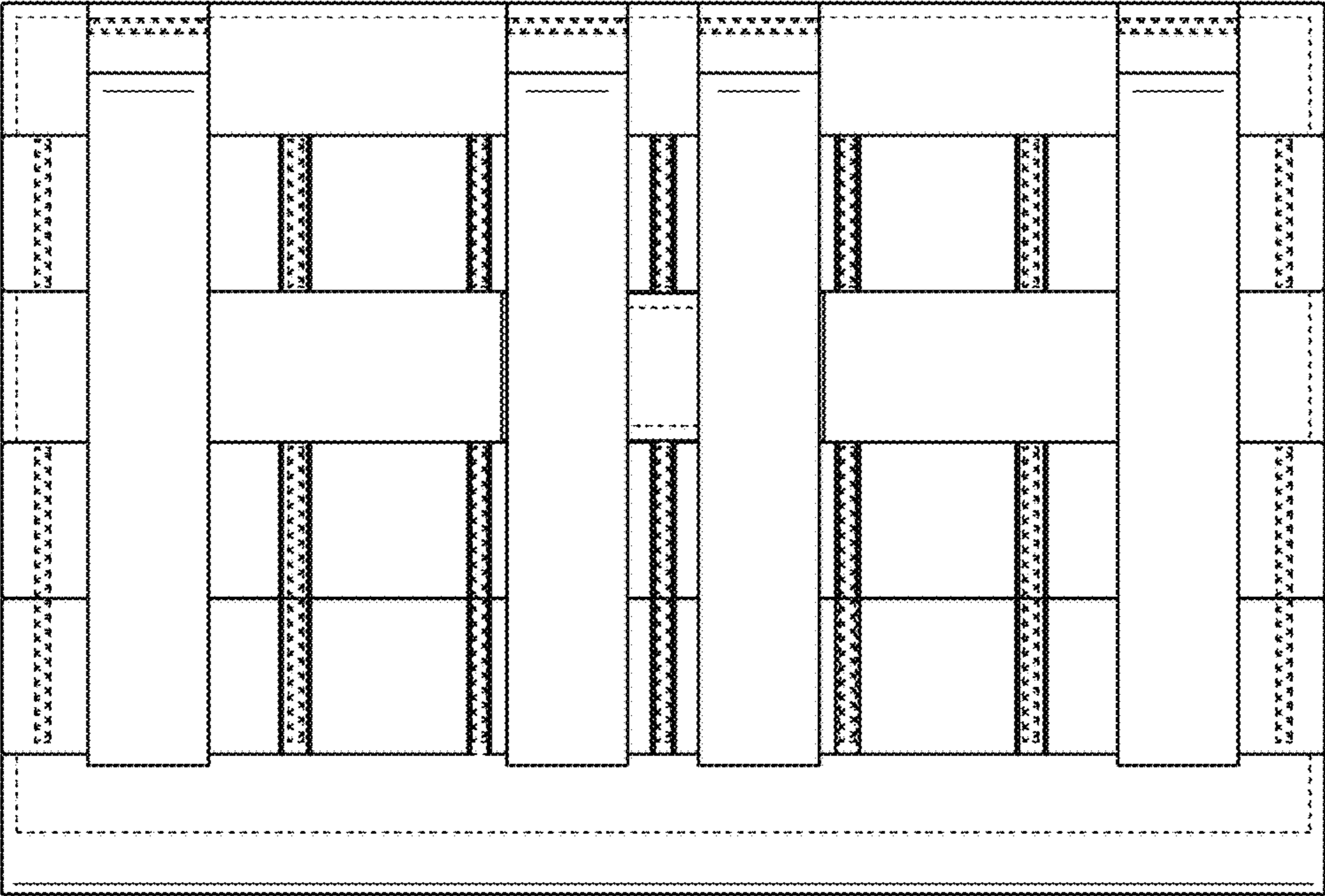


FIG. 5

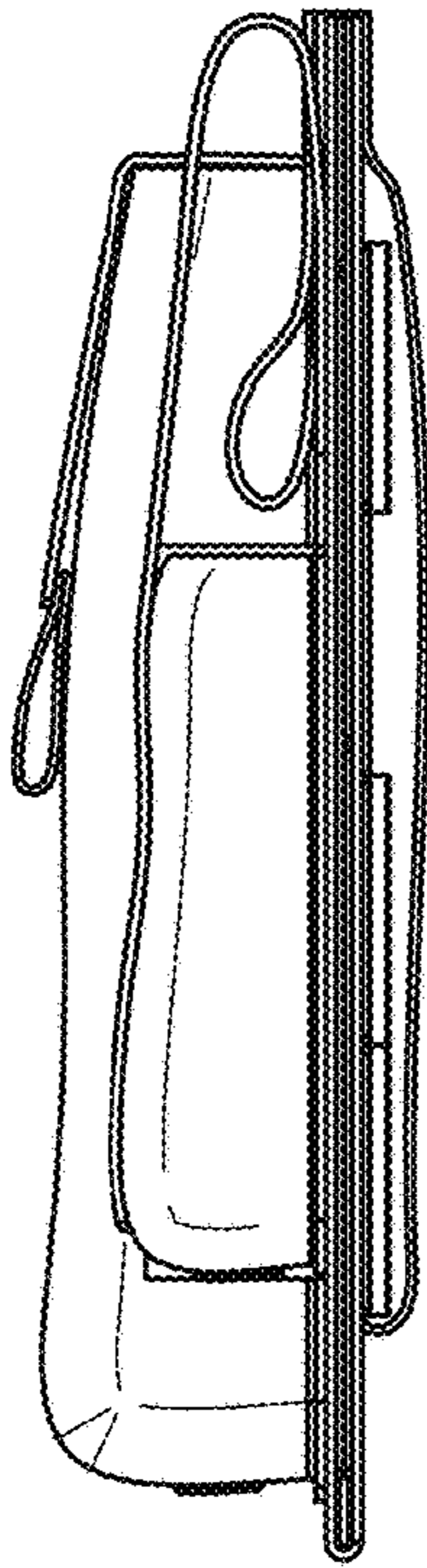


FIG. 6

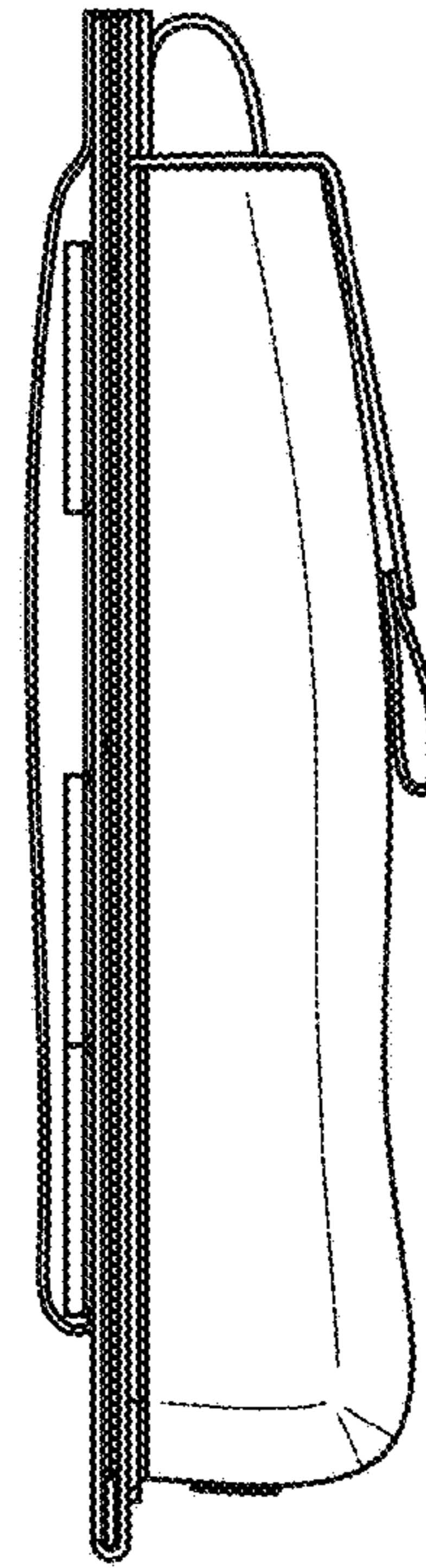


FIG. 7

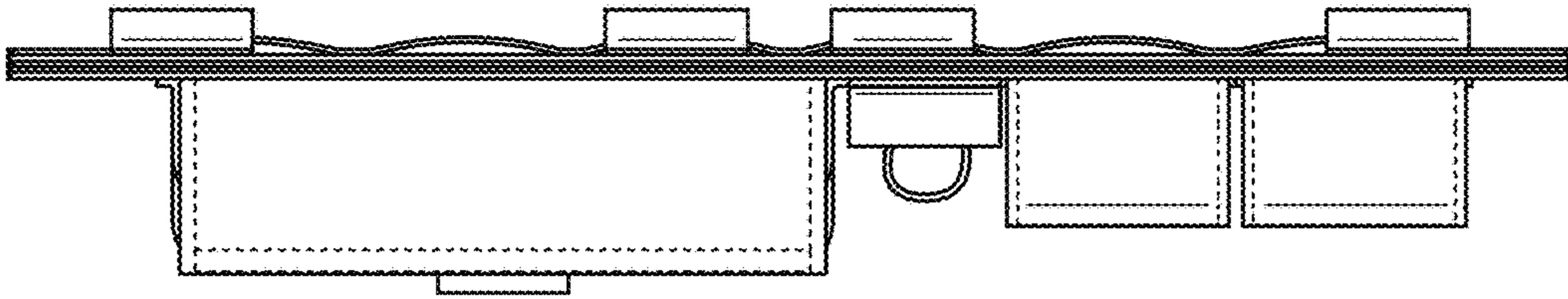


FIG. 8

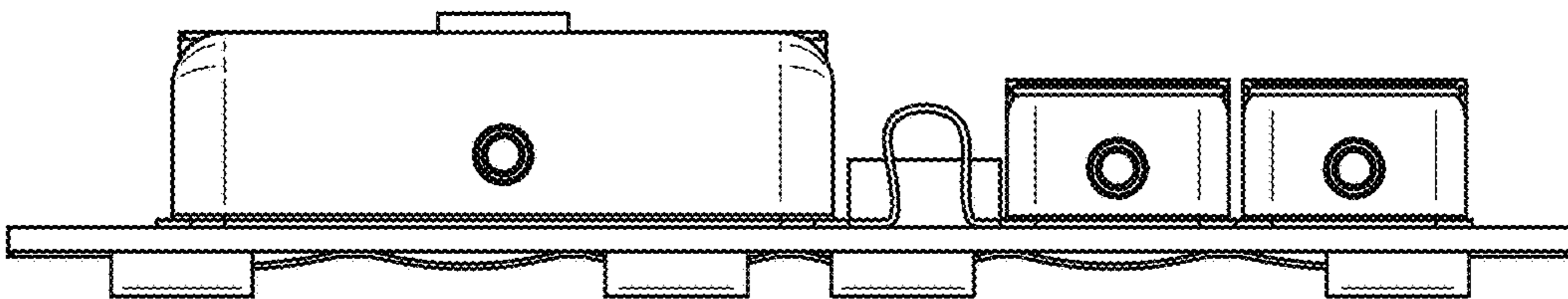


FIG. 9