

US00D794322S

(12) **United States Design Patent** (10) **Patent No.:** **US D794,322 S**  
**Wasankari** (45) **Date of Patent:** **\*\* Aug. 15, 2017**

(54) **PICATINNY RAIL STYLED KEY CHAIN**

(56) **References Cited**

(71) Applicant: **Nathan Wasankari**, Rio Rancho, NM (US)

U.S. PATENT DOCUMENTS

(72) Inventor: **Nathan Wasankari**, Rio Rancho, NM (US)

D392,201 S *	3/1998	Chen .....	D10/104.1
D399,344 S *	10/1998	Ricci .....	D3/207
D488,689 S *	4/2004	Smith, IV .....	D8/18
D554,362 S *	11/2007	Bates .....	D3/207
D554,363 S *	11/2007	Bates .....	D3/207
D662,941 S *	7/2012	Emami .....	D14/480.3
D725,223 S *	3/2015	Heidkamp .....	D22/109
D737,925 S *	9/2015	Norberg .....	D22/109

(73) Assignee: **RAPTOR PRODUCTS, INC.**, Rio Rancho, NM (US)

\* cited by examiner

(\*\*) Term: **15 Years**

*Primary Examiner* — Ralf Seifert

(21) Appl. No.: **29/550,168**

(22) Filed: **Dec. 30, 2015**

(57) **CLAIM**

(51) **LOC (10) Cl.** ..... **03-01**

The ornamental design for a picatinny rail styled key chain, as shown and described herein.

(52) **U.S. Cl.**

**DESCRIPTION**

USPC ..... **D3/211**

(58) **Field of Classification Search**

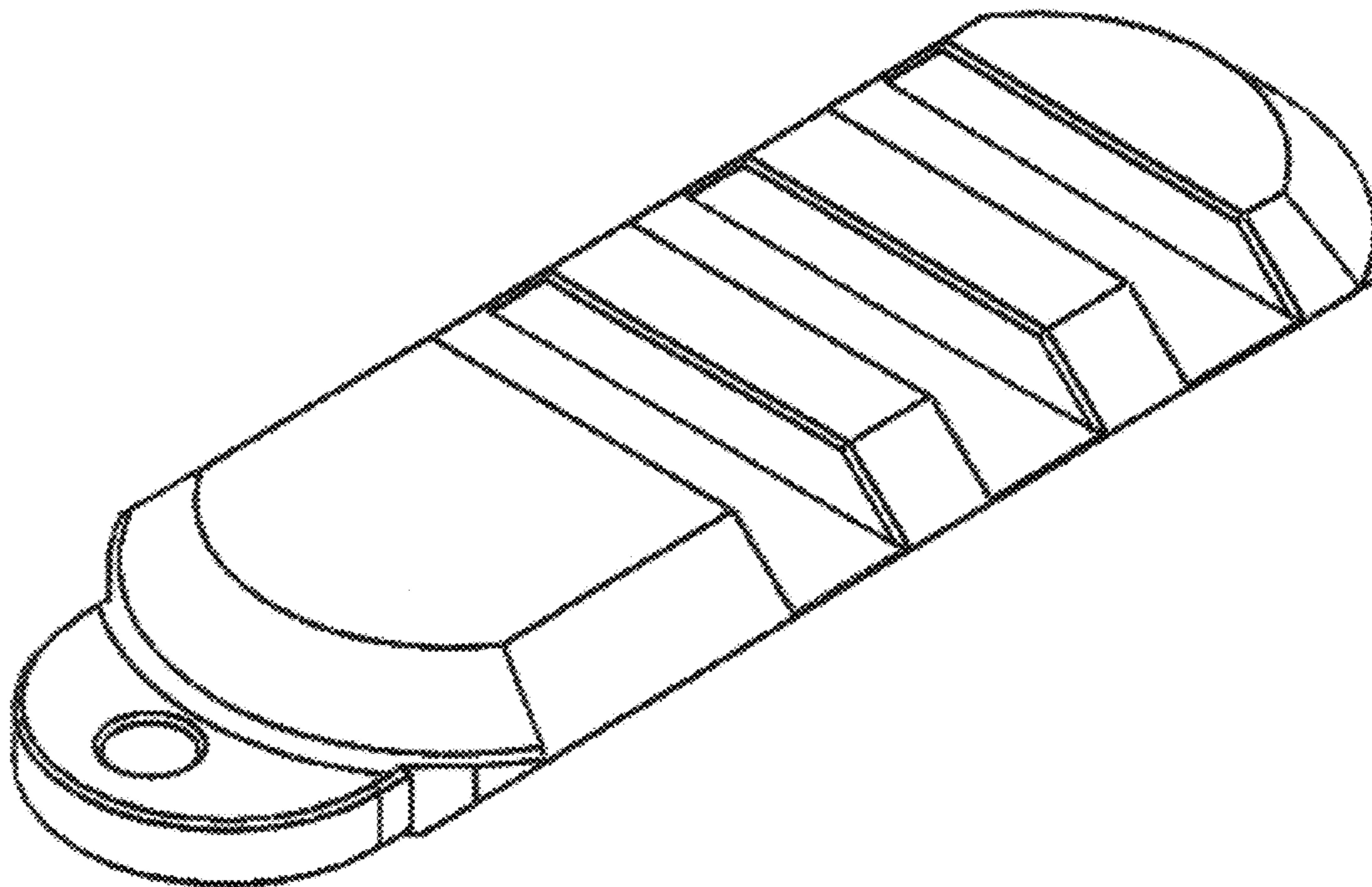
USPC ..... D11/1-2, 14, 26-29, 89-92, 44, 48, 81, D11/99, 79; 63/26-28, 32; D3/207-212; D8/16, 38, 347, 348, 33, 34, 105; 70/456 B, 457, 458, 456 R; 206/37.1, 37; D14/434, 435, 435.1, 436, 439, 480.3, D14/480.1, 480.5, 480.7; D24/174, 173, D24/480.3; D22/108, 109

FIG. 1 is a perspective view of the picatinny rail styled key chained, showing my new design; FIG. 2 is a bottom plain view thereof; FIG. 3 is a top plain view thereof; FIG. 4 is a side plain view thereof; FIG. 5 is a rear plain view thereof; and, FIG. 6 is a front plain view thereof.

CPC ..... A45C 11/32; A47G 29/10

See application file for complete search history.

**1 Claim, 1 Drawing Sheet**



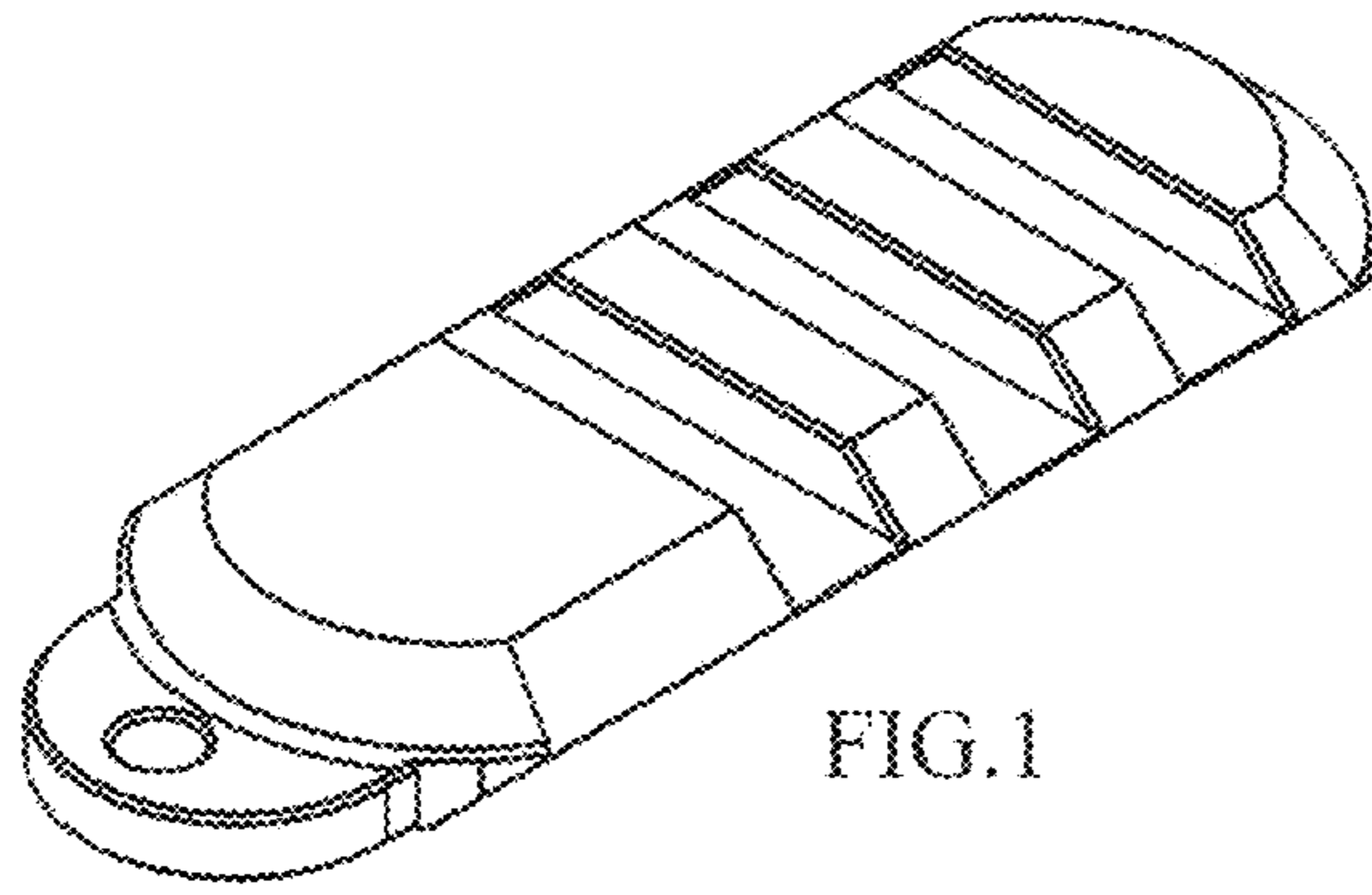


FIG.1

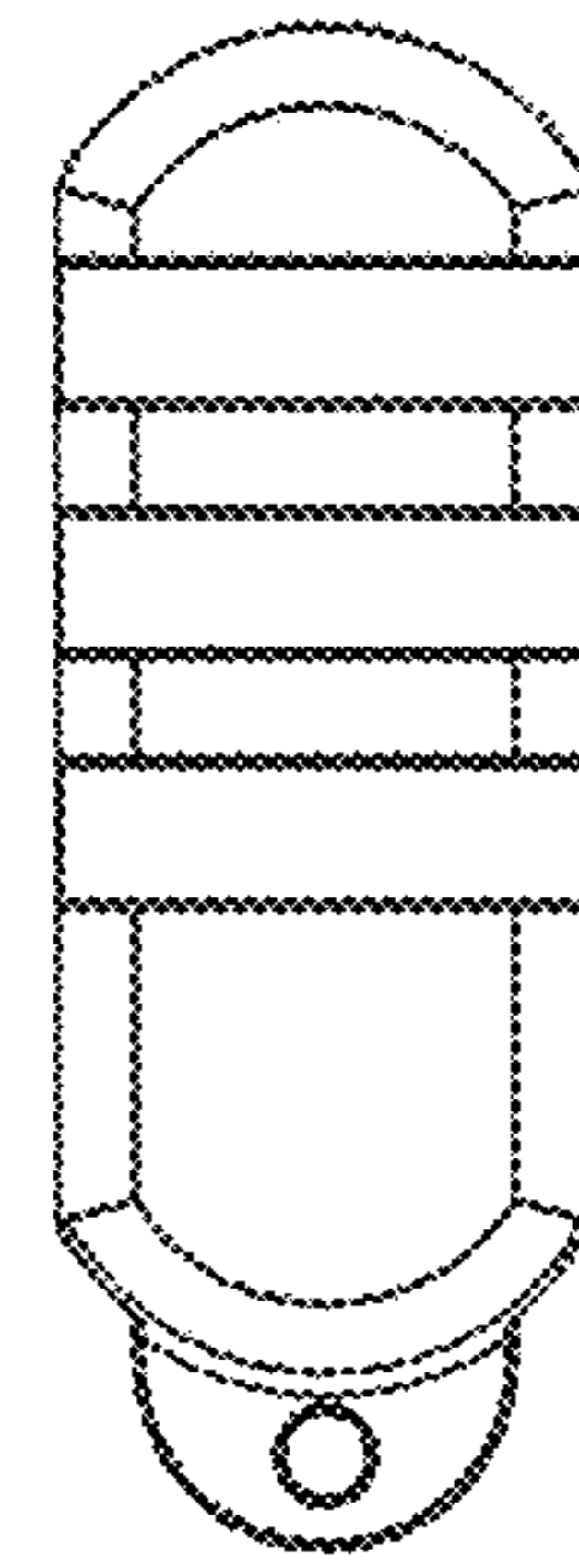


FIG.2

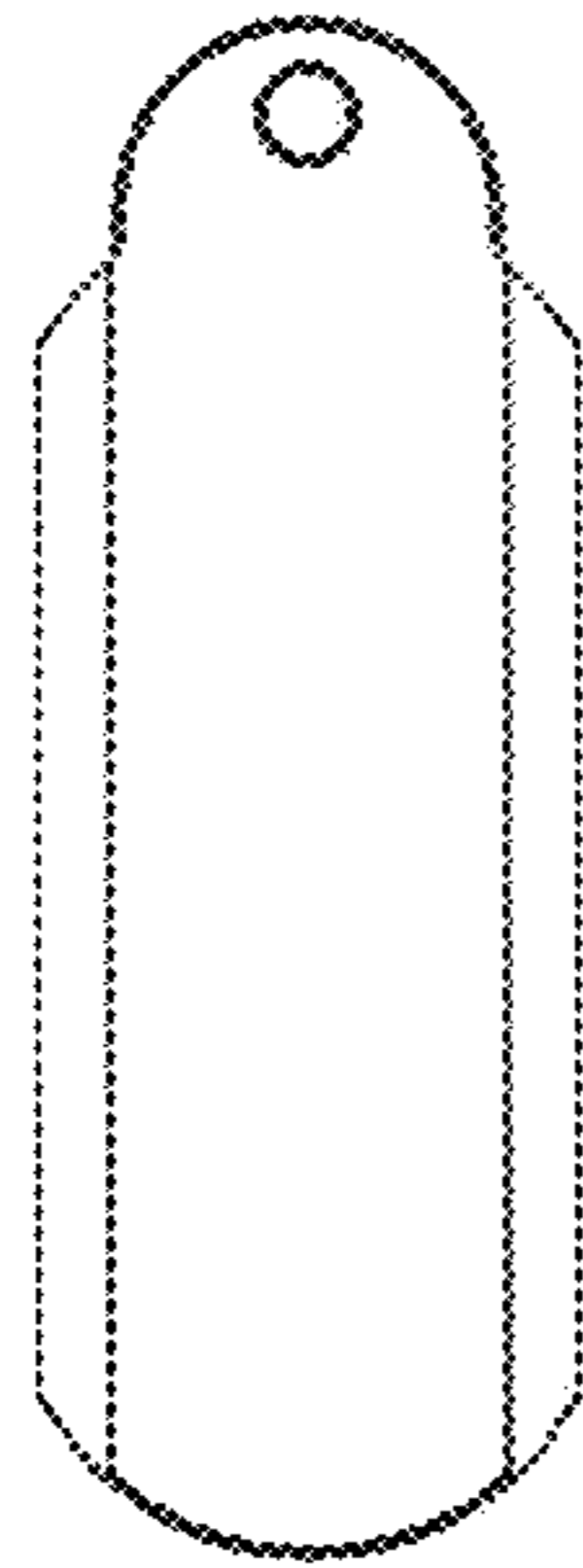


FIG.3

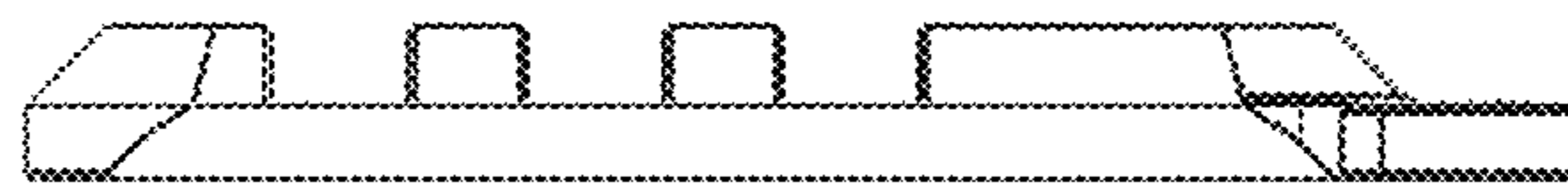


FIG.4

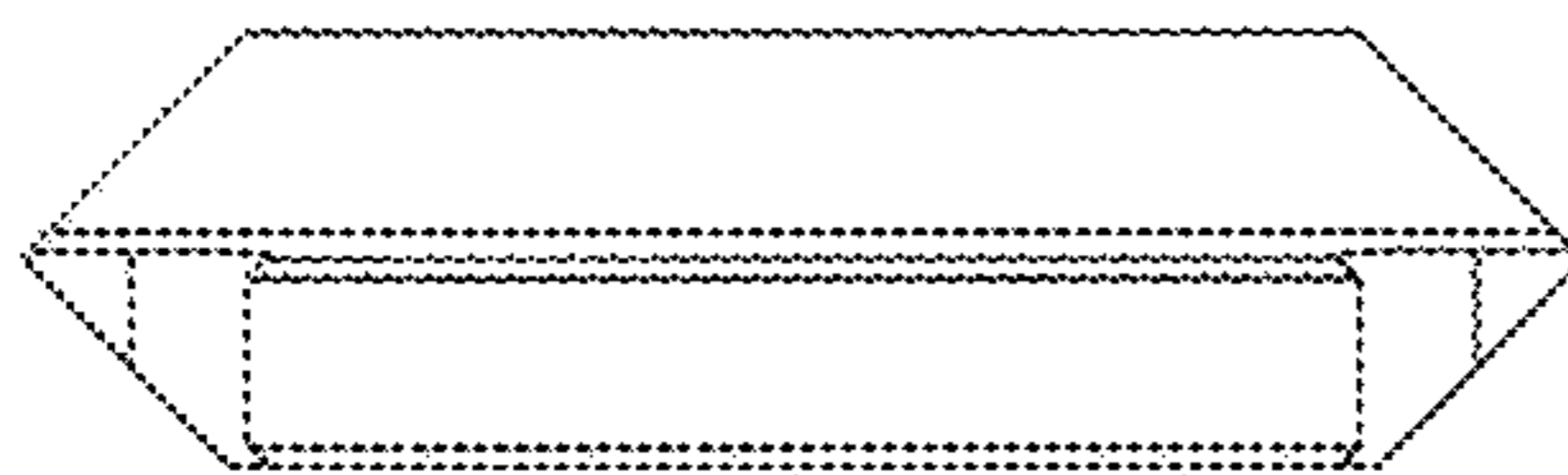


FIG.5

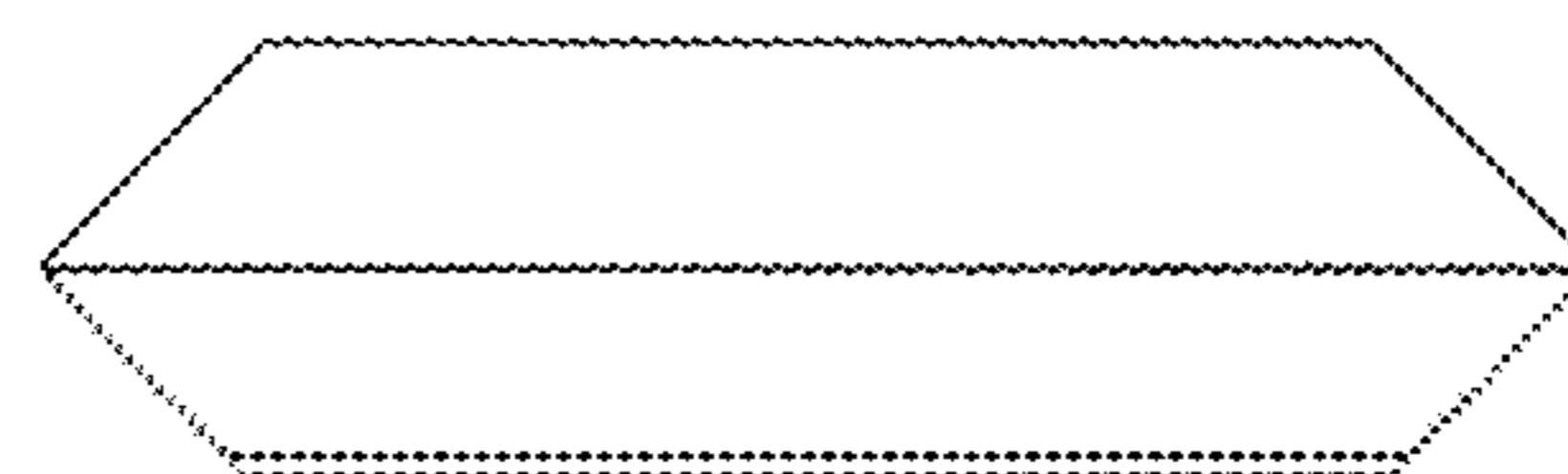


FIG.6