



US00D794321S

(12) **United States Design Patent**
Downes

(10) **Patent No.:** **US D794,321 S**

(45) **Date of Patent:** **** Aug. 15, 2017**

(54) **EXPANDABLE KEY HOLDER**

(71) Applicant: **Keypoint, Inc.**, Las Vegas, NV (US)

(72) Inventor: **Josh Downes**, Henderson, NV (US)

(73) Assignee: **KEYPORT, INC.**, Las Vegas, NV (US)

(**) Term: **15 Years**

(21) Appl. No.: **29/550,047**

(22) Filed: **Dec. 30, 2015**

(51) **LOC (10) Cl.** **03-01**

(52) **U.S. Cl.**
USPC **D3/207**

(58) **Field of Classification Search**

USPC D11/1-2, 14, 26-29, 89-92, 44, 48, 81,
D11/99; 63/26-28, 32; D3/207-212;
D8/16, 38, 347, 348; 70/456 B, 457, 458,
70/456 R; 206/37.1, 37; D14/434, 435,
D14/435.1, 436, 439, 480.3, 480.1, 480.5,
D14/480.7; D24/174, 173, 480.3
CPC A45C 11/32; A45C 11/321; A47G 29/10;
A44B 15/00; A44C 11/324; A44C 11/328
See application file for complete search history.

(56) **References Cited**

U.S. PATENT DOCUMENTS

3,173,280 A * 3/1965 Oberacker A45C 11/324
70/456 R
D680,733 S * 4/2013 Aprea D3/208

D683,951 S * 6/2013 Busch D3/207
D705,533 S * 5/2014 Tunney D3/207
D730,446 S * 5/2015 Busch D19/121
D754,428 S * 4/2016 Tunney D3/207
D771,936 S * 11/2016 Schlaferman D3/207

* cited by examiner

Primary Examiner — Ralf Seifert

(74) *Attorney, Agent, or Firm* — Pearne & Gordon LLP

(57) **CLAIM**

The ornamental design for an expandable key holder, as shown and described.

DESCRIPTION

FIG. 1 is a perspective view of an expandable key holder, showing my new design;
FIG. 2 is a top view thereof;
FIG. 3 is a bottom view thereof;
FIG. 4 is a front view thereof;
FIG. 5 is a back view thereof;
FIG. 6 is a right side view thereof;
FIG. 7 is a left side view thereof; and,
FIG. 8 is a top view with sides adjusted closer.
The broken line showing of elements in FIGS. 1-8 is included for the purpose of illustrating environmental matter and forms no part of the claimed design.

1 Claim, 4 Drawing Sheets

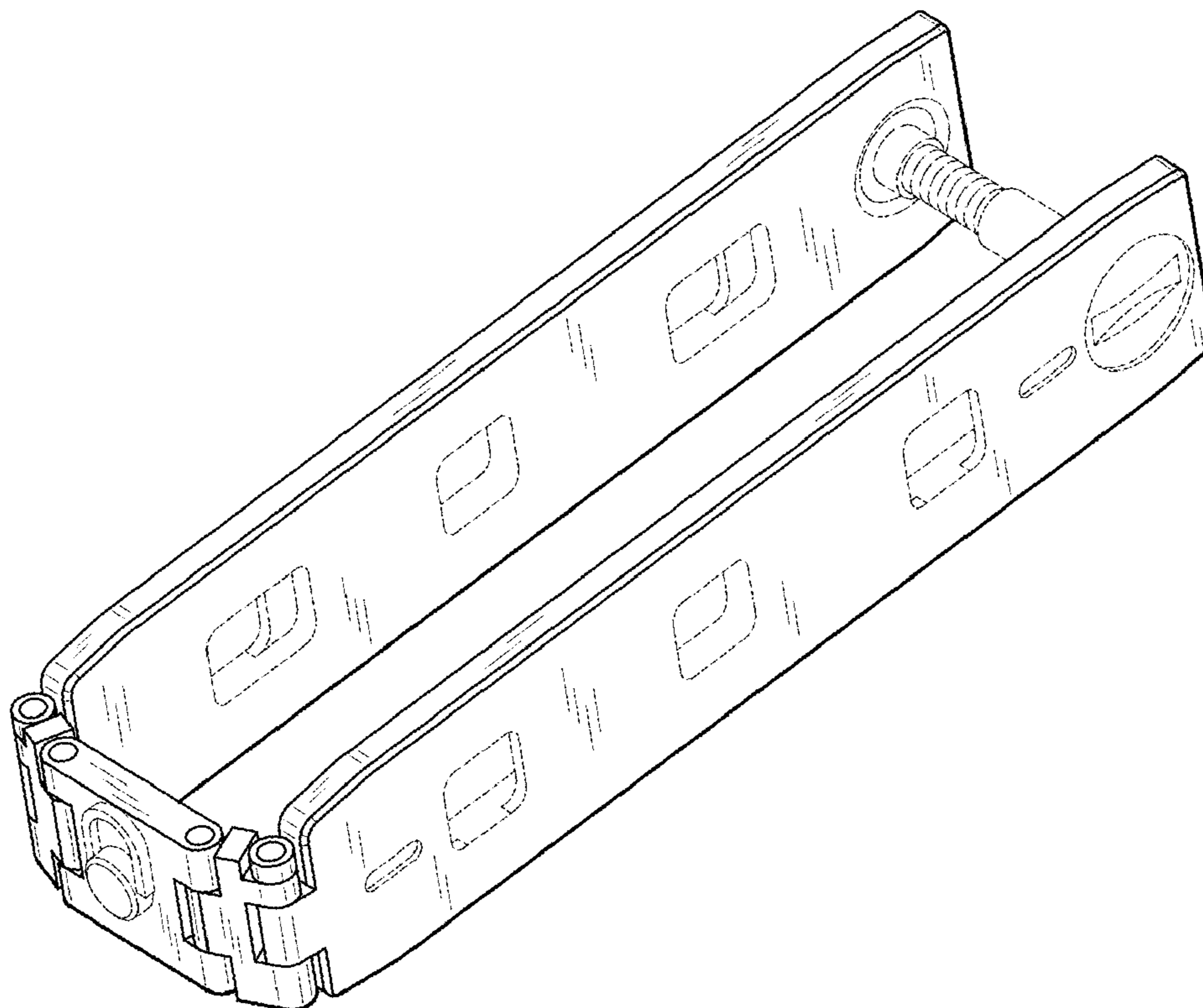
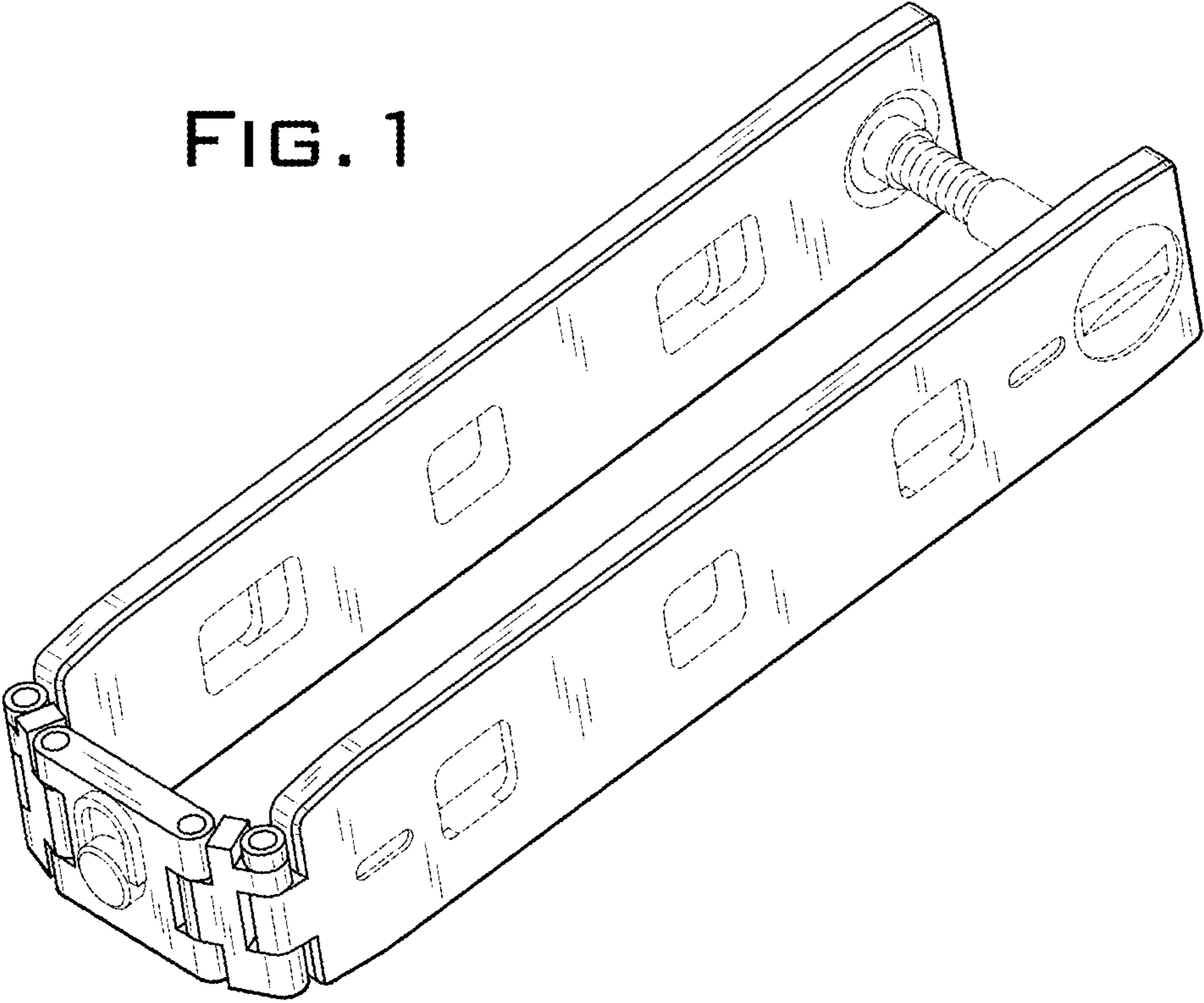


FIG. 1



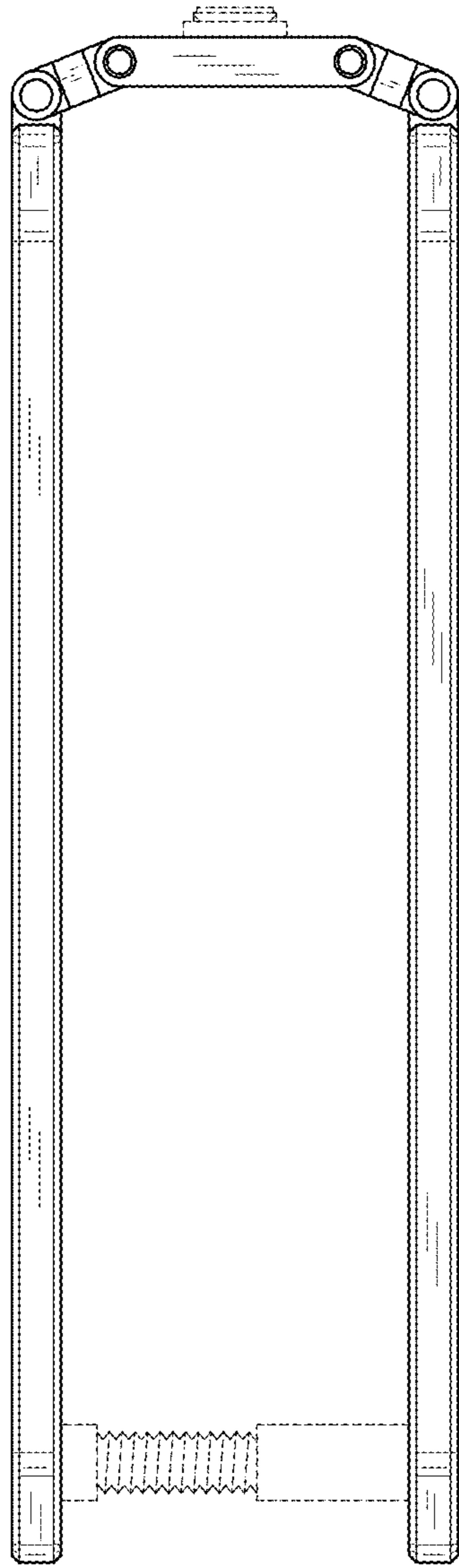


FIG. 2

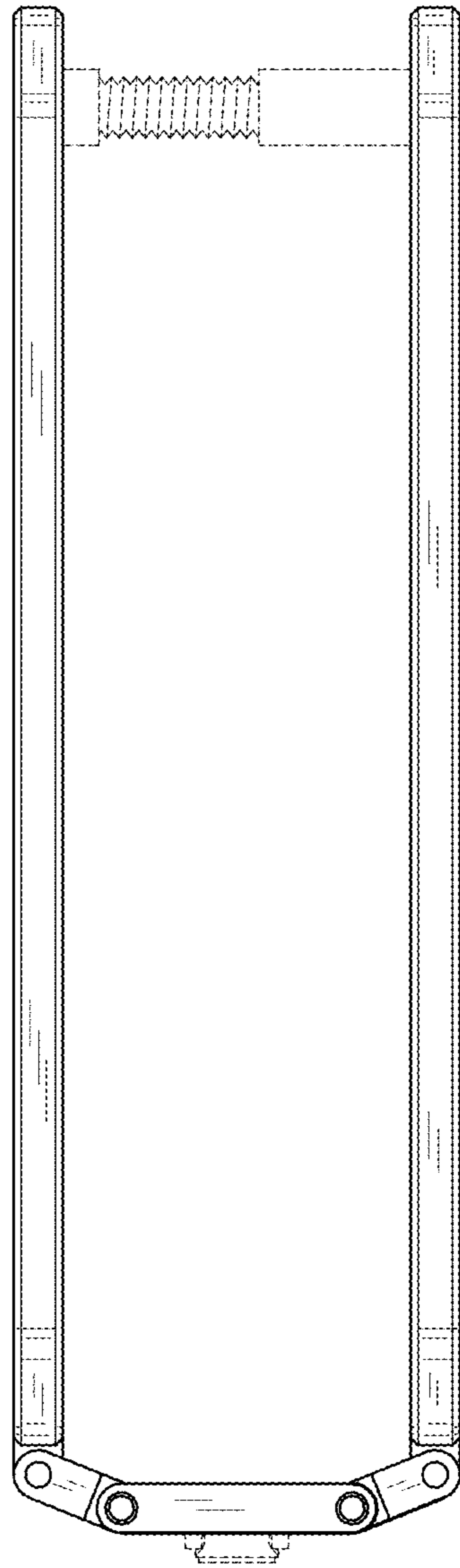


FIG. 3

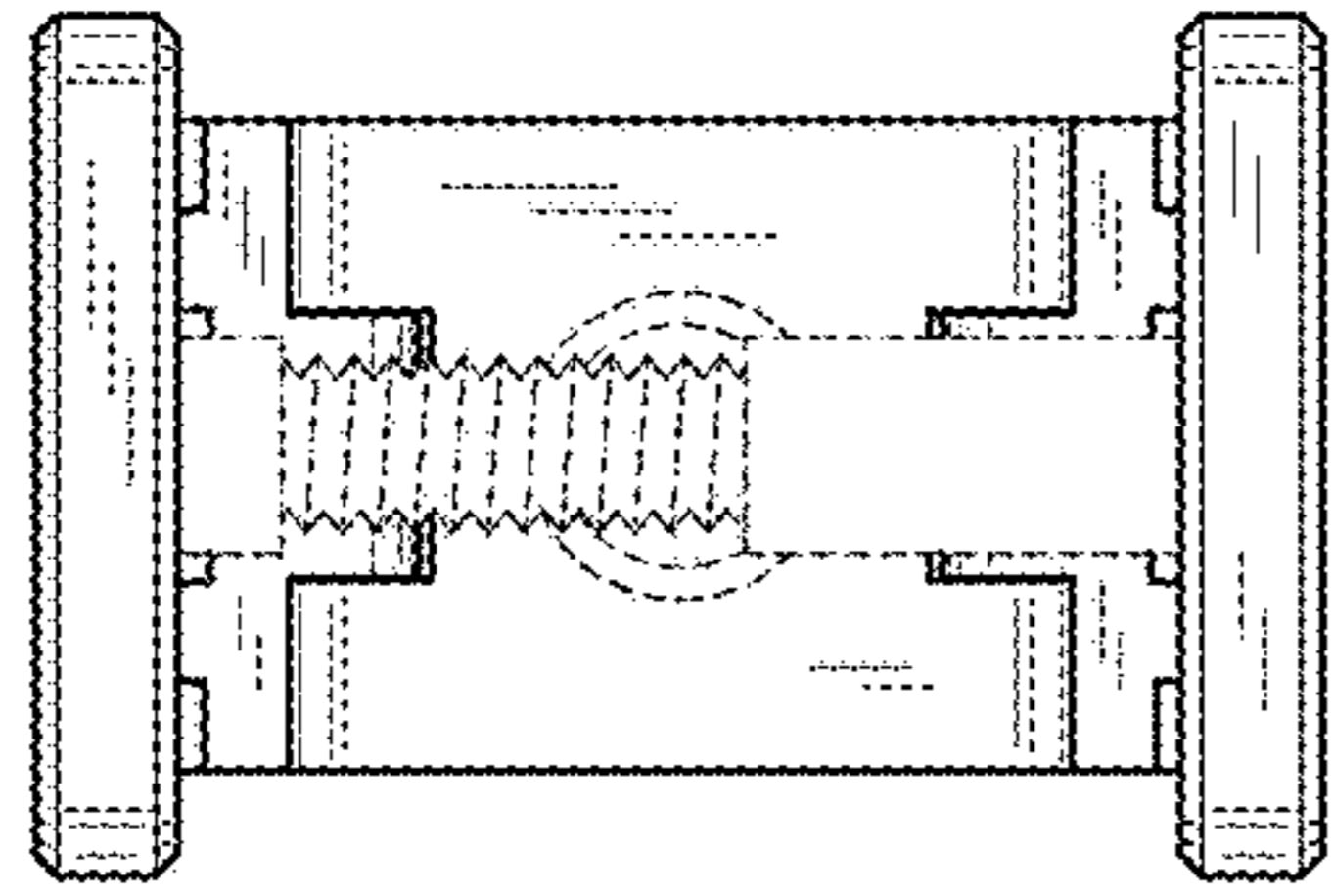


FIG. 4

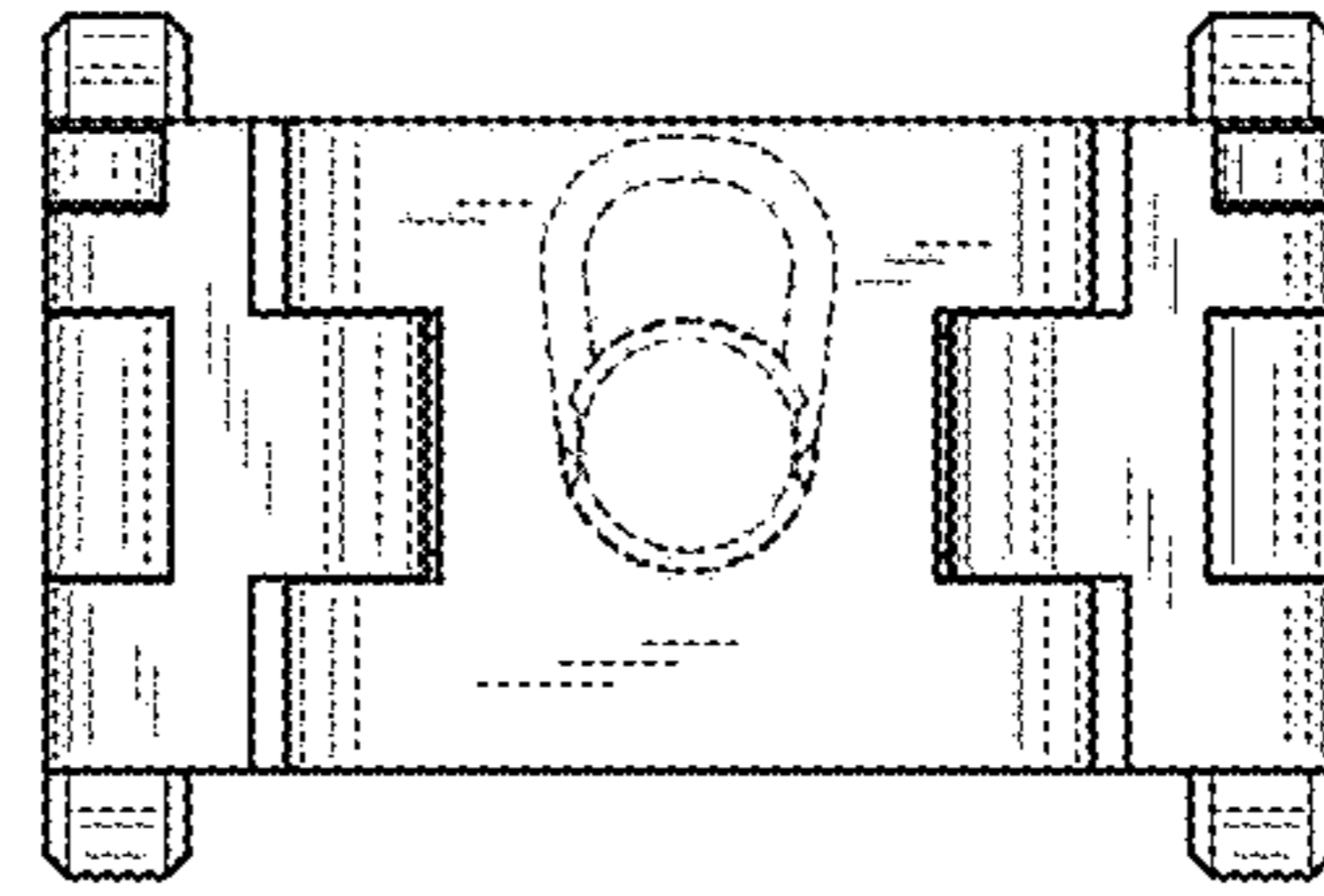


FIG. 5

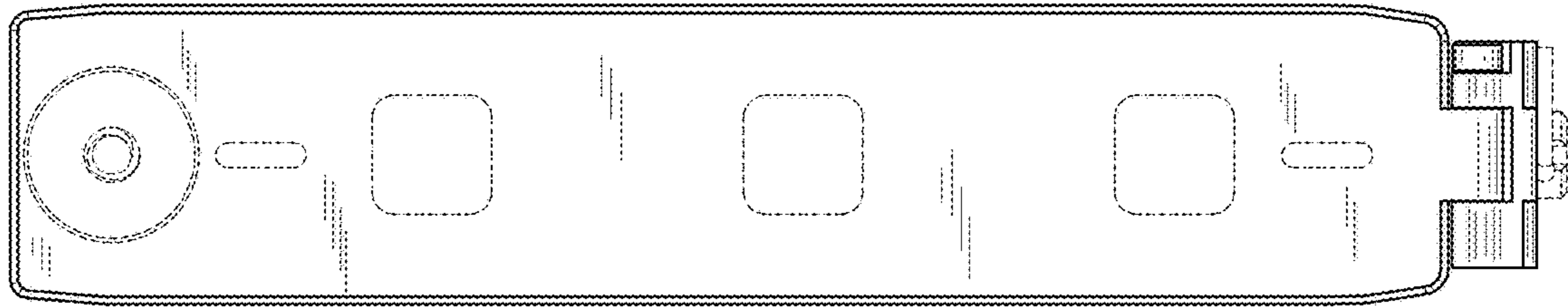


FIG. 6

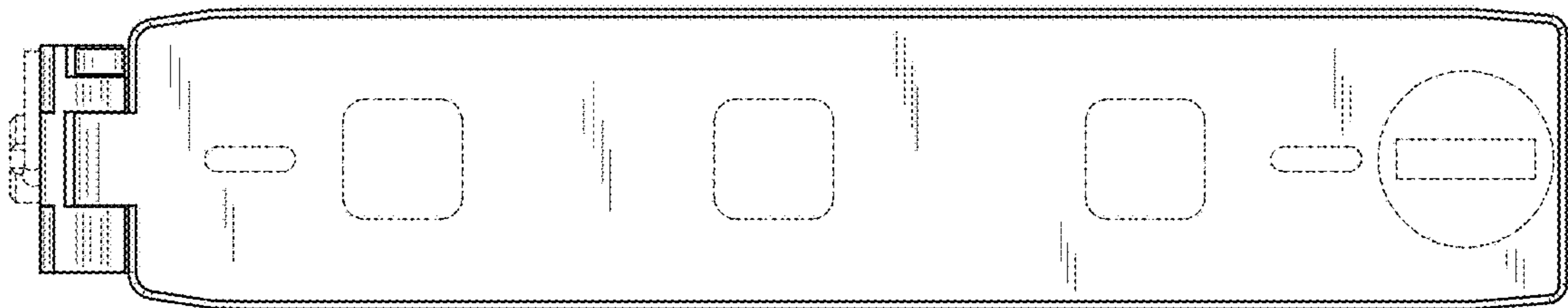


FIG. 7

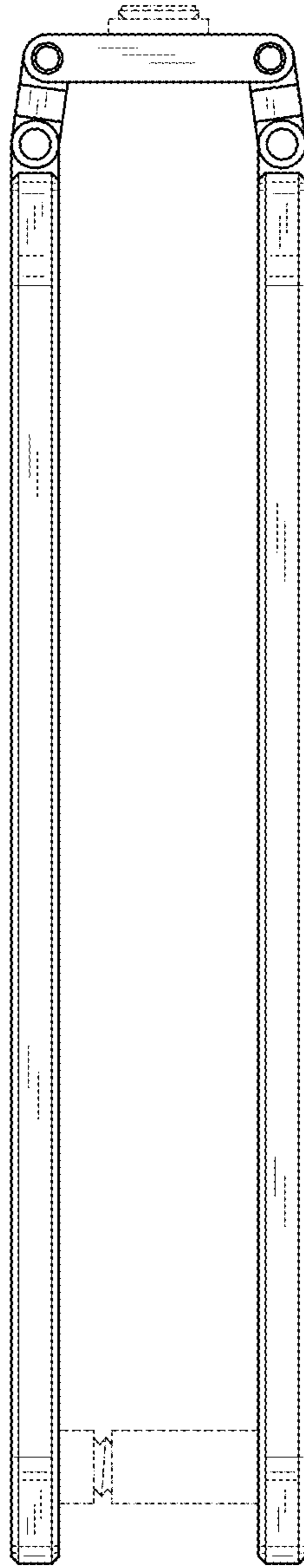


FIG. 8