

US00D794320S

(12) **United States Design Patent** (10) **Patent No.:** **US D794,320 S**  
**Downes** (45) **Date of Patent:** **\*\* Aug. 15, 2017**

(54) **MODULAR KEY HOLDER** 7,578,154 B2 \* 8/2009 Beresnitzky ..... A45C 11/324  
70/456 B  
(71) Applicant: **Keypoint, Inc.**, Las Vegas, NV (US) D624,305 S \* 9/2010 Downes ..... D3/207  
8,146,736 B2 4/2012 Downes  
(72) Inventor: **Josh Downes**, Henderson, NV (US) D661,889 S \* 6/2012 Wu ..... D3/207  
8,341,989 B1 \* 1/2013 Hamblin ..... A45C 11/328  
70/408  
(73) Assignee: **KEYPORT, INC.**, Las Vegas, NV (US) 8,485,007 B2 7/2013 Downes  
2009/0241622 A1 \* 10/2009 Luo ..... A45C 11/321  
70/456 B  
(\*\*) Term: **15 Years**

(21) Appl. No.: **29/550,039**

(22) Filed: **Dec. 30, 2015**

(51) **LOC (10) Cl.** ..... **08-01**

(52) **U.S. Cl.**  
USPC ..... **D3/207**

(58) **Field of Classification Search**  
USPC ..... D11/1-2, 14, 26-29, 89-92, 44, 48, 81,  
D11/99; 63/26-28, 32; D3/207-212;  
D8/16, 38, 347, 348; 70/456 B, 457, 458,  
70/456 R; 206/37.1, 37; D14/434, 435,  
D14/435.1, 436, 439, 480.3, 480.1, 480.5,  
D14/480.7; D24/174, 173, 480.3  
CPC ..... A45C 11/32; A45C 11/321; A47G 29/10;  
A44B 15/00; A44C 11/324; A44C 11/328  
See application file for complete search history.

(56) **References Cited**

**U.S. PATENT DOCUMENTS**

2,637,994 A \* 5/1953 Harrison, Jr. .... A45C 11/328  
220/324  
2,669,859 A \* 2/1954 Hudson, Jr. .... A45C 11/328  
70/456 R  
2,789,613 A \* 4/1957 Corsaw ..... A45C 11/328  
206/37.2  
3,173,280 A \* 3/1965 Oberacker ..... A45C 11/324  
70/456 R  
3,354,678 A \* 11/1967 Stifelman ..... A45C 11/328  
206/37.2  
3,457,746 A \* 7/1969 Glassman ..... A45C 11/328  
70/408  
D326,957 S \* 6/1992 Gebert ..... D3/212

\* cited by examiner

*Primary Examiner* — Ralf Seifert

(74) *Attorney, Agent, or Firm* — Pearne & Gordon LLP

(57) **CLAIM**

The ornamental design for a modular key holder, as shown and described.

**DESCRIPTION**

FIG. 1 is a perspective view of a modular key holder, showing my new design;  
FIG. 2 is a top view thereof;  
FIG. 3 is a front view thereof;  
FIG. 4 is a right side view thereof;  
FIG. 5 is a left side view thereof;  
FIG. 6 is a back view thereof;  
FIG. 7 is a bottom view thereof;  
FIG. 8 is a perspective view of a modular key holder showing the second embodiment of my new design.  
FIG. 9 is a front view of the embodiment of FIG. 8;  
FIG. 10 is a right side view of the embodiment of FIG. 8, the left side being identical; and,  
FIG. 11 is a top view of the embodiment of FIG. 8.  
The broken line showing of elements in FIGS. 1-10 is included for the purpose of illustrating environmental matter and forms no part of the claimed design.

**1 Claim, 5 Drawing Sheets**

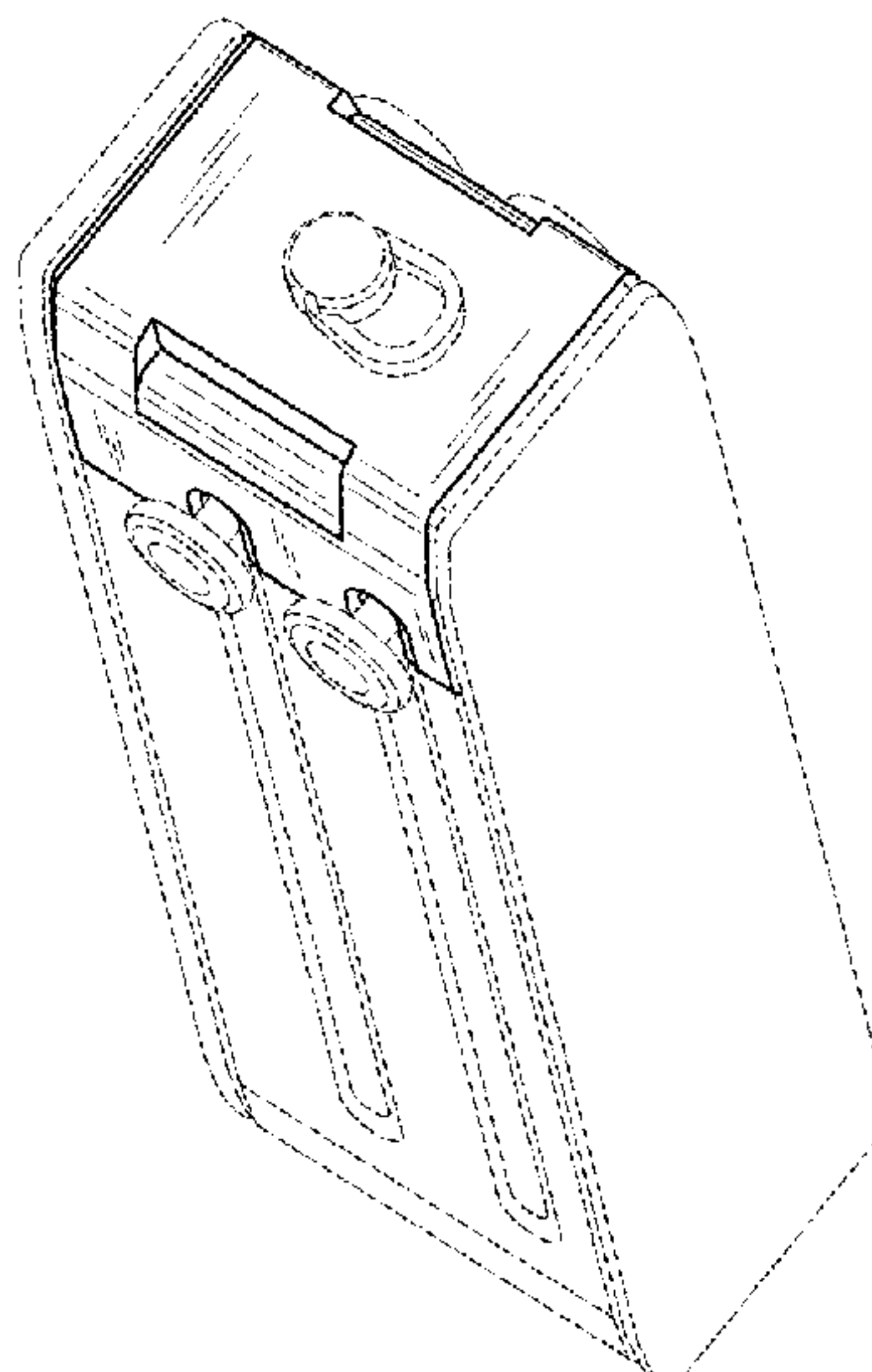
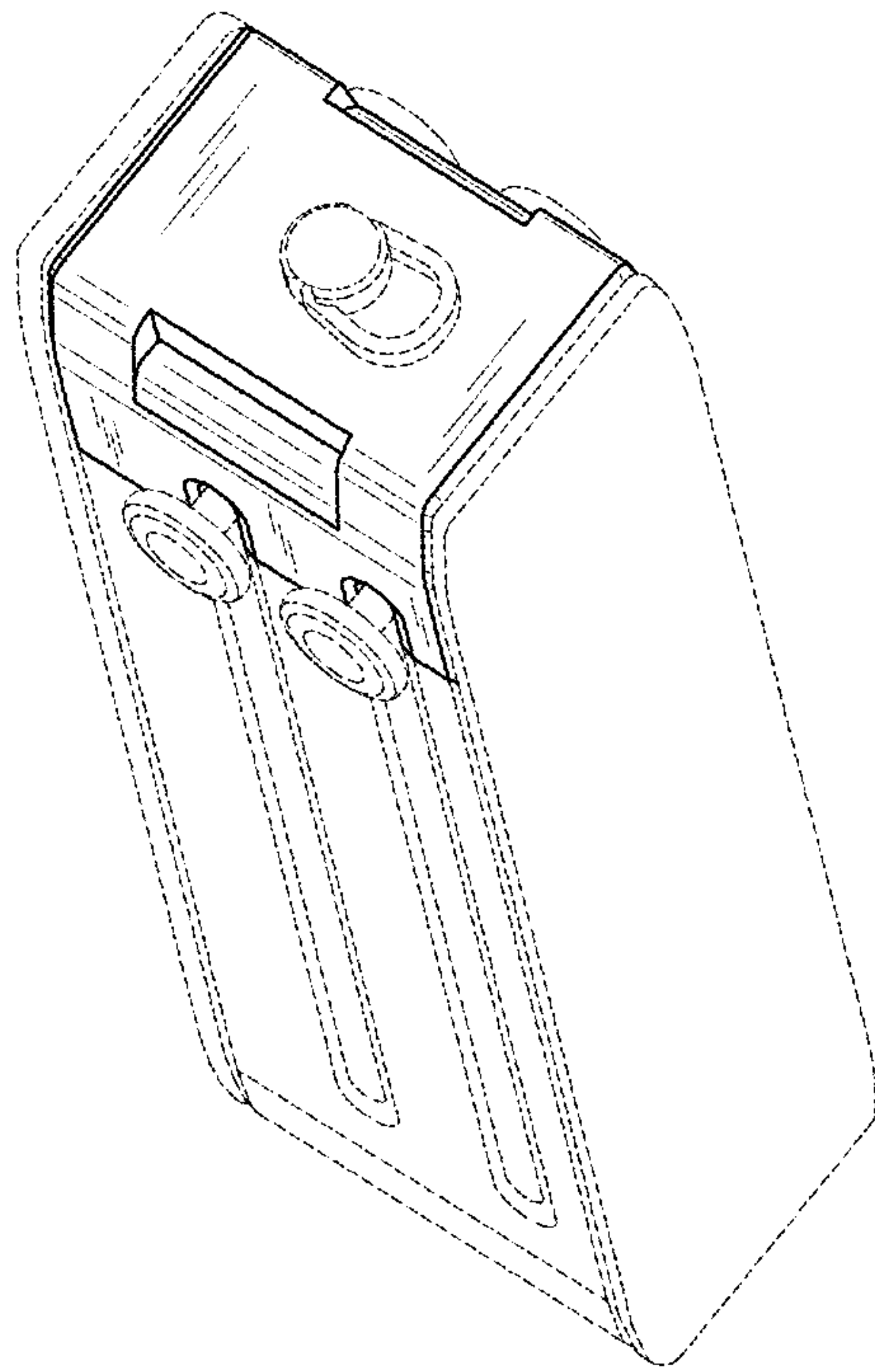


FIG. 1



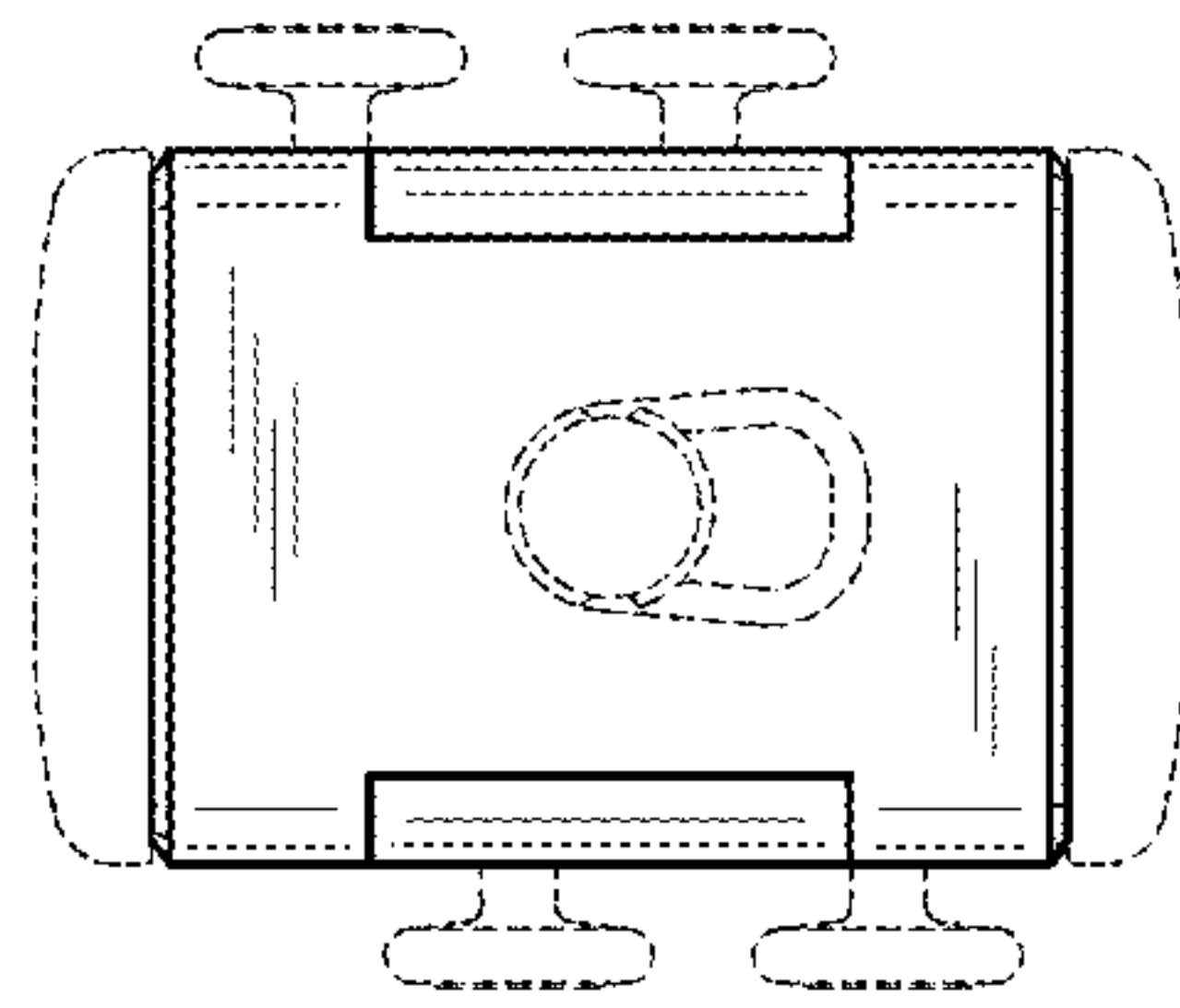


FIG. 2

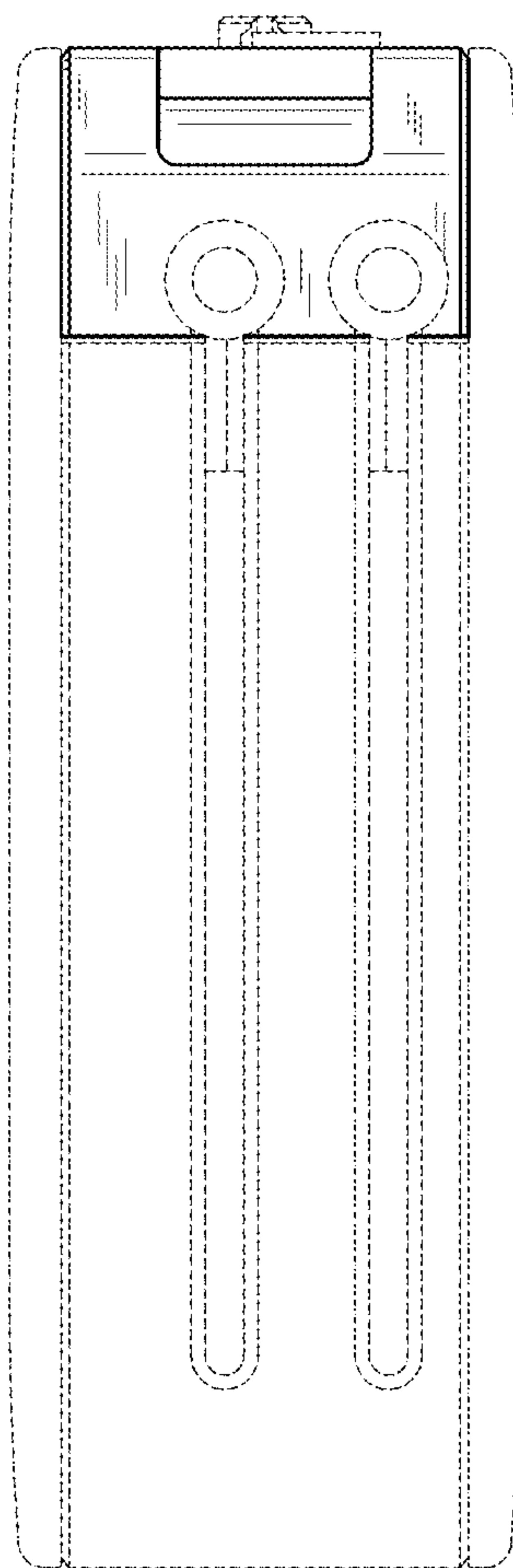


FIG. 3

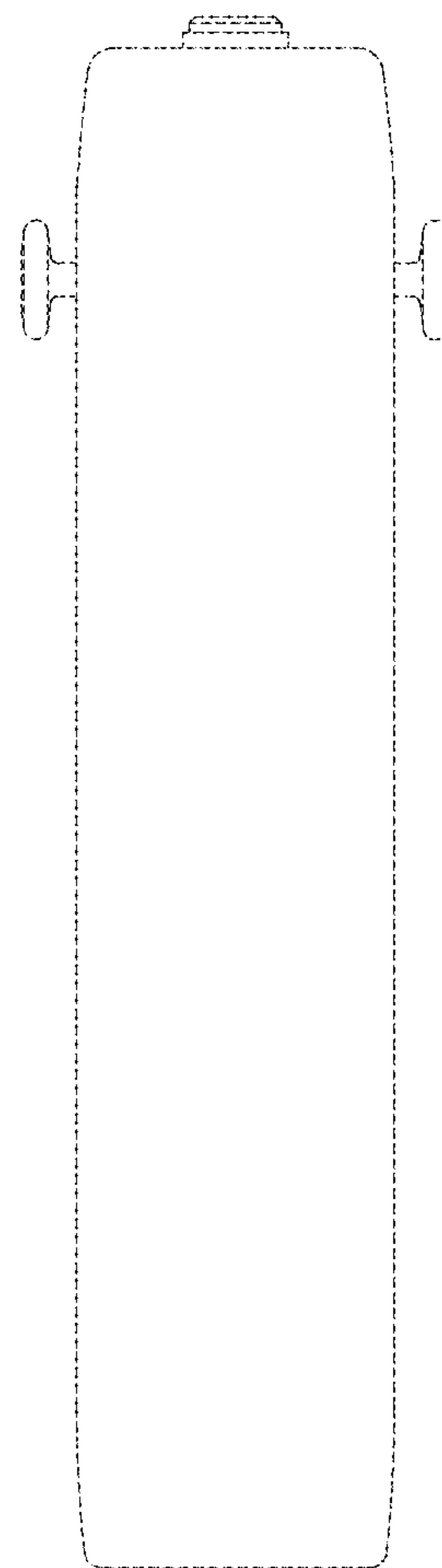


FIG. 4

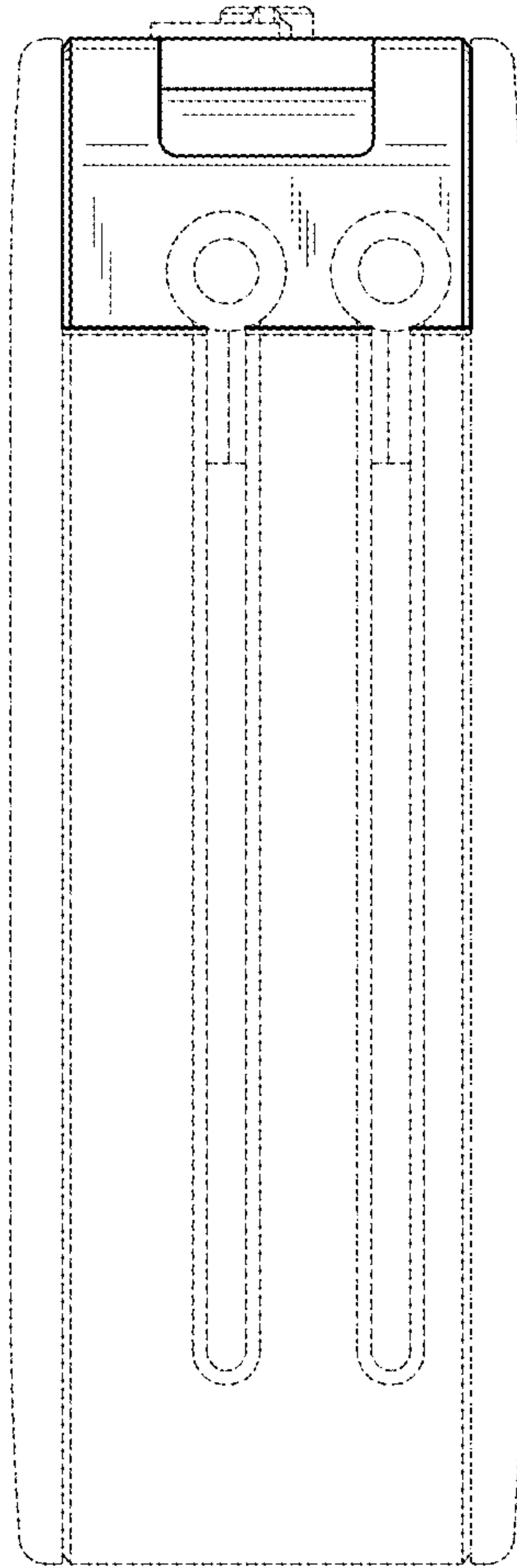


FIG. 6

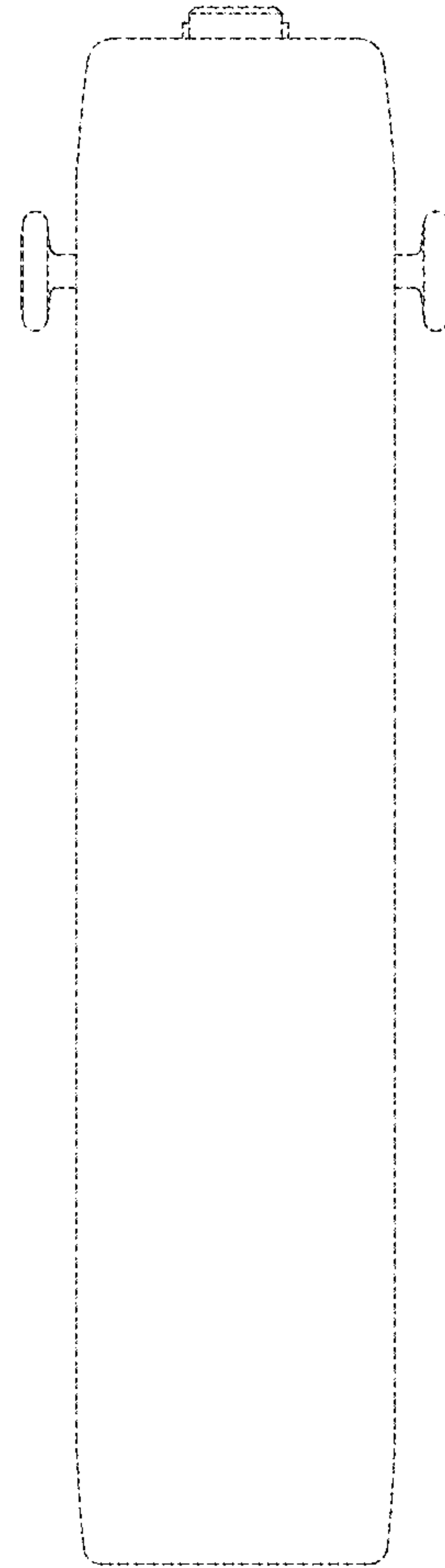


FIG. 5

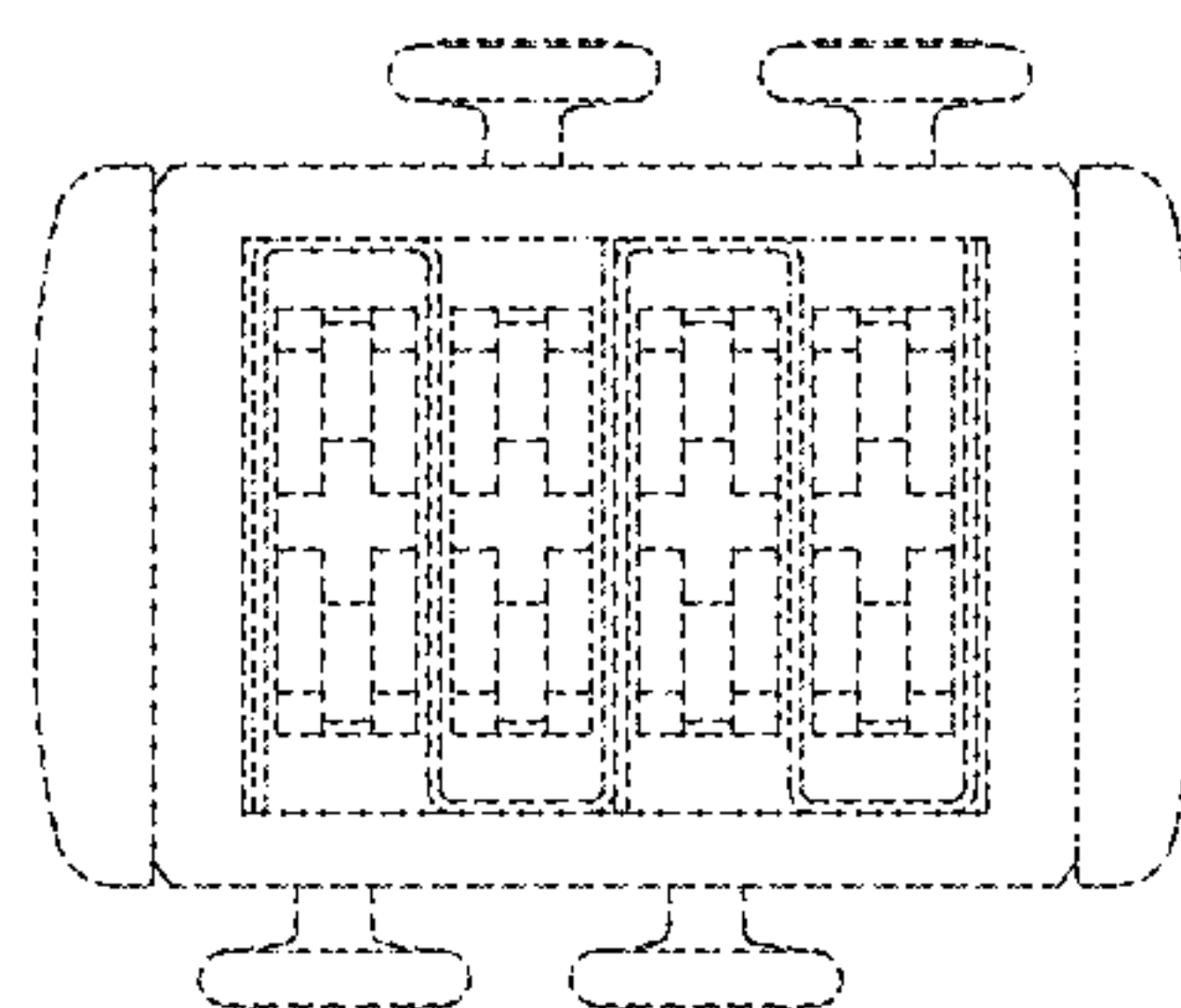
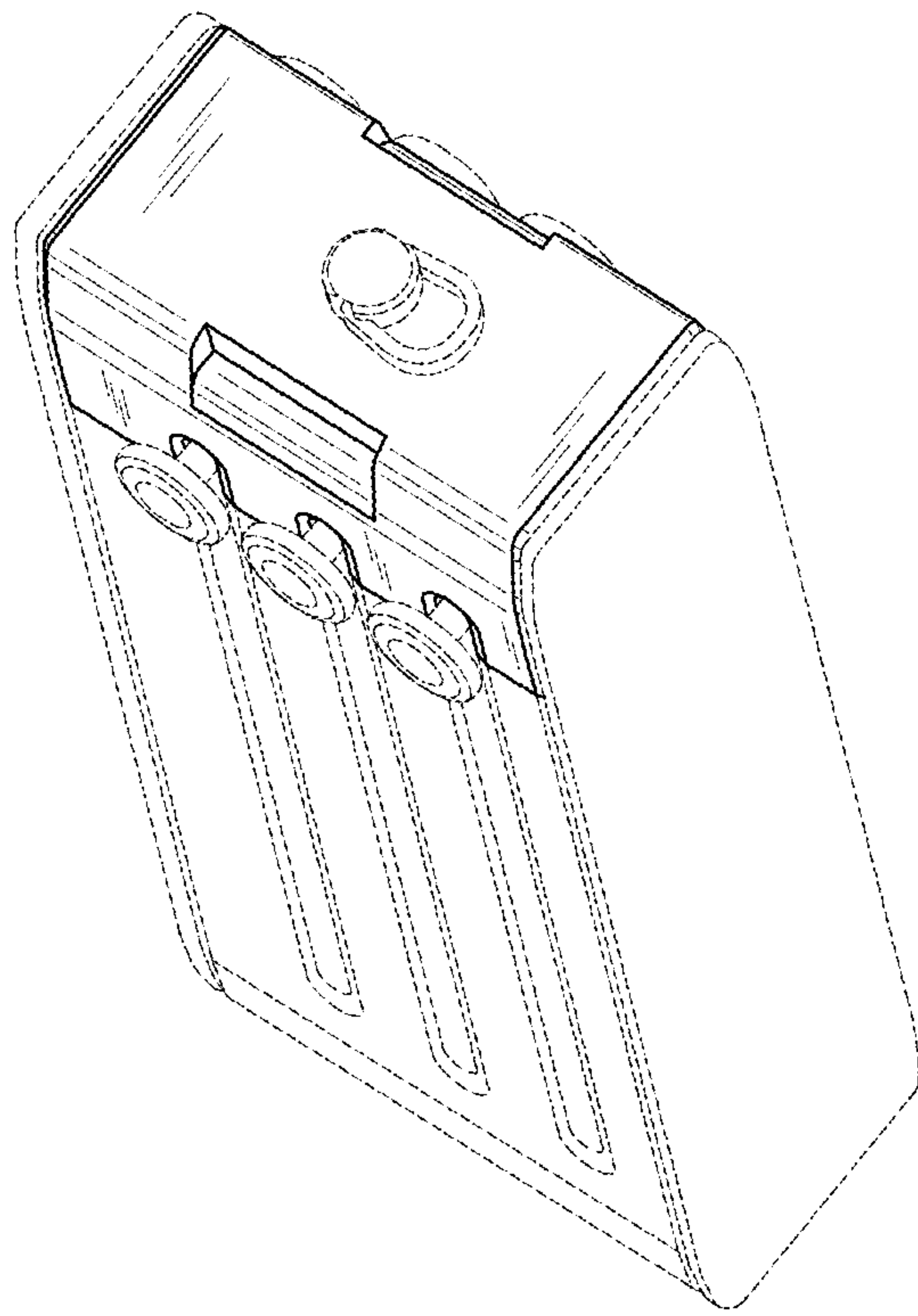


FIG. 7

FIG. 8



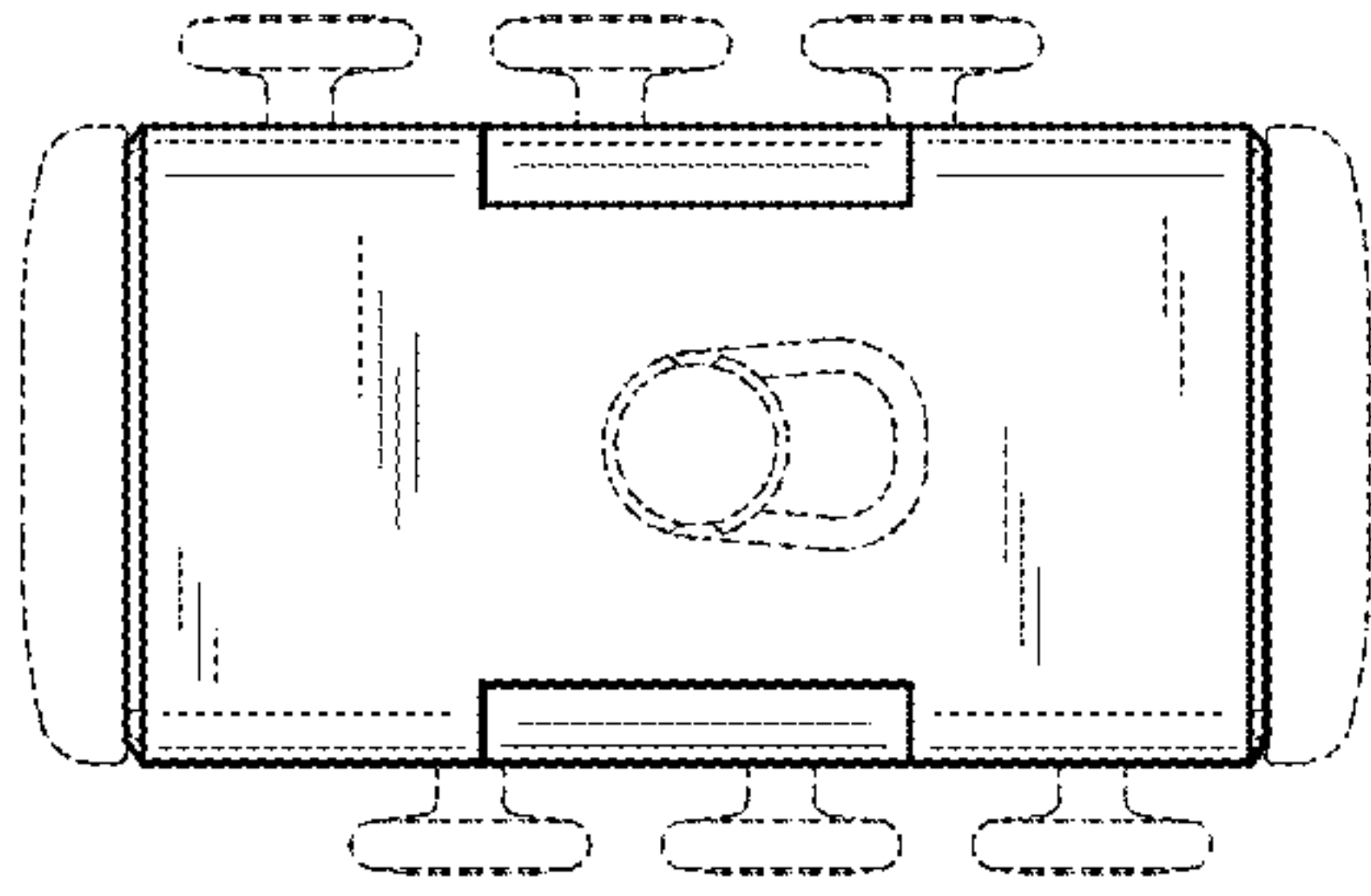


FIG. 11

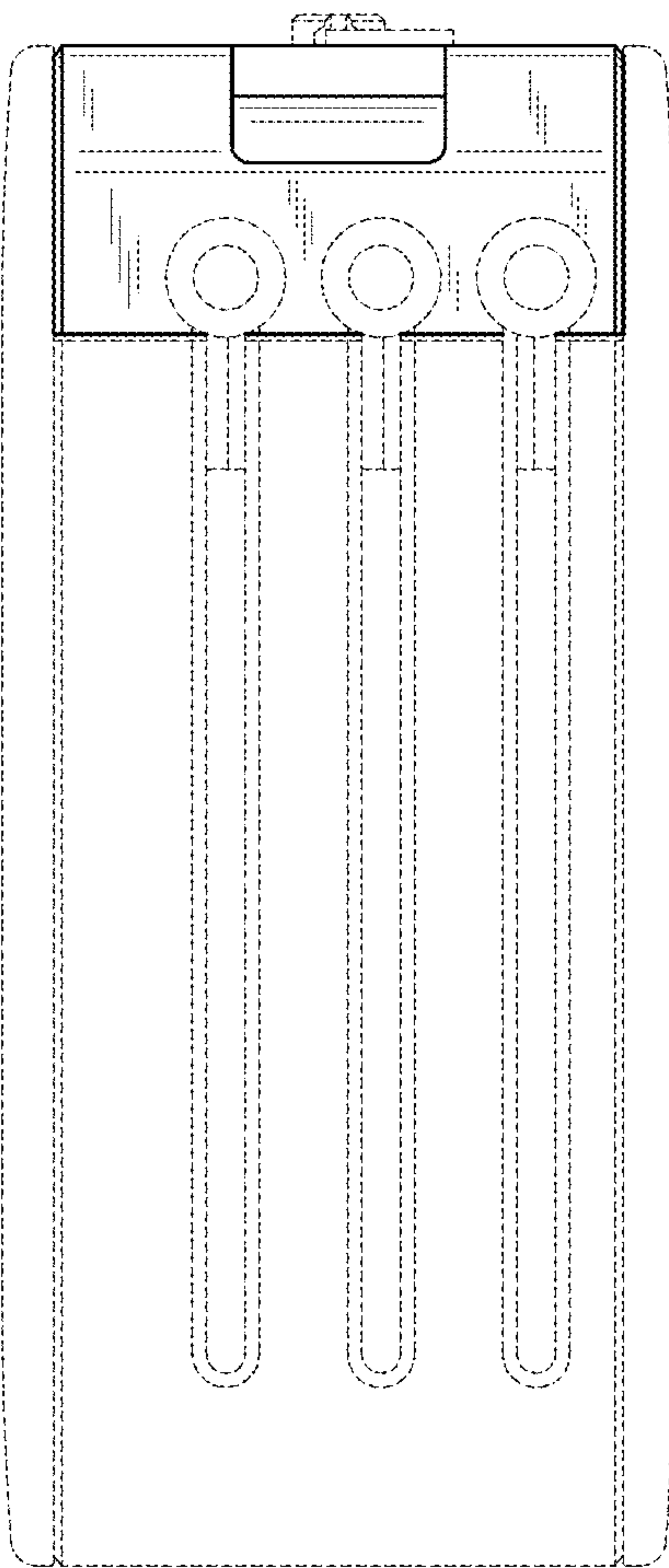


FIG. 9

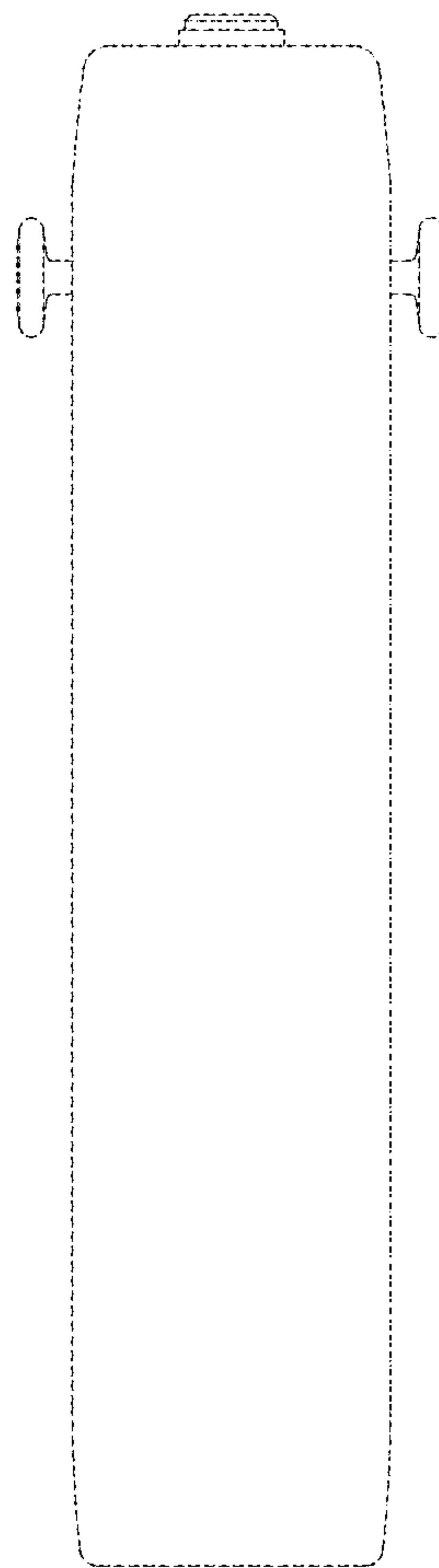


FIG. 10