



US00D794296S

(12) **United States Design Patent** (10) **Patent No.:** **US D794,296 S**
Lee (45) **Date of Patent:** **** Aug. 15, 2017**

(54) **SHOE OUTSOLE**
(71) Applicant: **Chinook Asia LLC**, Lake Oswego, OR (US)
(72) Inventor: **Sangmin Lee**, Lake Oswego, OR (US)
(73) Assignee: **Chinook Asia LLC**, Lake Oswego, OR (US)
(**) Term: **15 Years**

D351,717 S 10/1994 Kayano et al.
D353,257 S 12/1994 Kayano
D356,670 S 3/1995 Mitsui et al.
D356,885 S 4/1995 Poole, Jr.
D357,571 S 4/1995 Mitsui
D365,921 S 1/1996 von Conta et al.
D373,458 S 9/1996 Tanaka et al.
D373,898 S 9/1996 Bramani
D377,411 S 1/1997 Murray
D377,859 S 2/1997 Bramani
D378,318 S 3/1997 James
D379,862 S 6/1997 Morgan
D426,946 S * 6/2000 Debiase D2/951

(Continued)

(21) Appl. No.: **29/539,647**

(22) Filed: **Sep. 16, 2015**

(51) **LOC (10) Cl.** **02-04**

(52) **U.S. Cl.**
USPC **D2/958**; D2/947; D2/951; D2/953;
D2/960

(58) **Field of Classification Search**
USPC D2/902, 906, 908, 916, 918, 925,
D2/946-962, 977; 36/3 B, 22 R, 24.5,
36/25 R, 28, 32 R, 34 R, 59 C, 67 A, 103
CPC A43B 13/00; A43B 13/02; A43B 13/023;
A43B 13/026; A43B 13/04; A43B 13/08;
A43B 13/10; A43B 13/12; A43B 13/14;
A43B 13/141; A43B 13/143; A43B
13/16; A43B 13/18; A43B 13/181; A43B
13/187; A43B 13/189; A43B 13/20; A43B
13/22; A43B 13/223; A43B 13/24; A43B
13/28; A43B 13/30; A43B 13/32; A43B
13/34; A43B 13/36
See application file for complete search history.

(56) **References Cited**

U.S. PATENT DOCUMENTS

D305,955 S 2/1990 Hase
D323,580 S 2/1992 Hoshimi
D323,928 S 2/1992 Claveria
D331,314 S 12/1992 Smith
D350,638 S 9/1994 Yoshikawa et al.
D350,641 S 9/1994 Kayano et al.

OTHER PUBLICATIONS

Mar. 14, 2016, Office action from the U.S. Patent and Trademark Office in U.S. Appl. No. 29/498,615, which is another application of Applicant Chinook Asia LLC.

Primary Examiner — T. Chase Nelson

(74) *Attorney, Agent, or Firm* — Kolisch Hartwell, P.C.

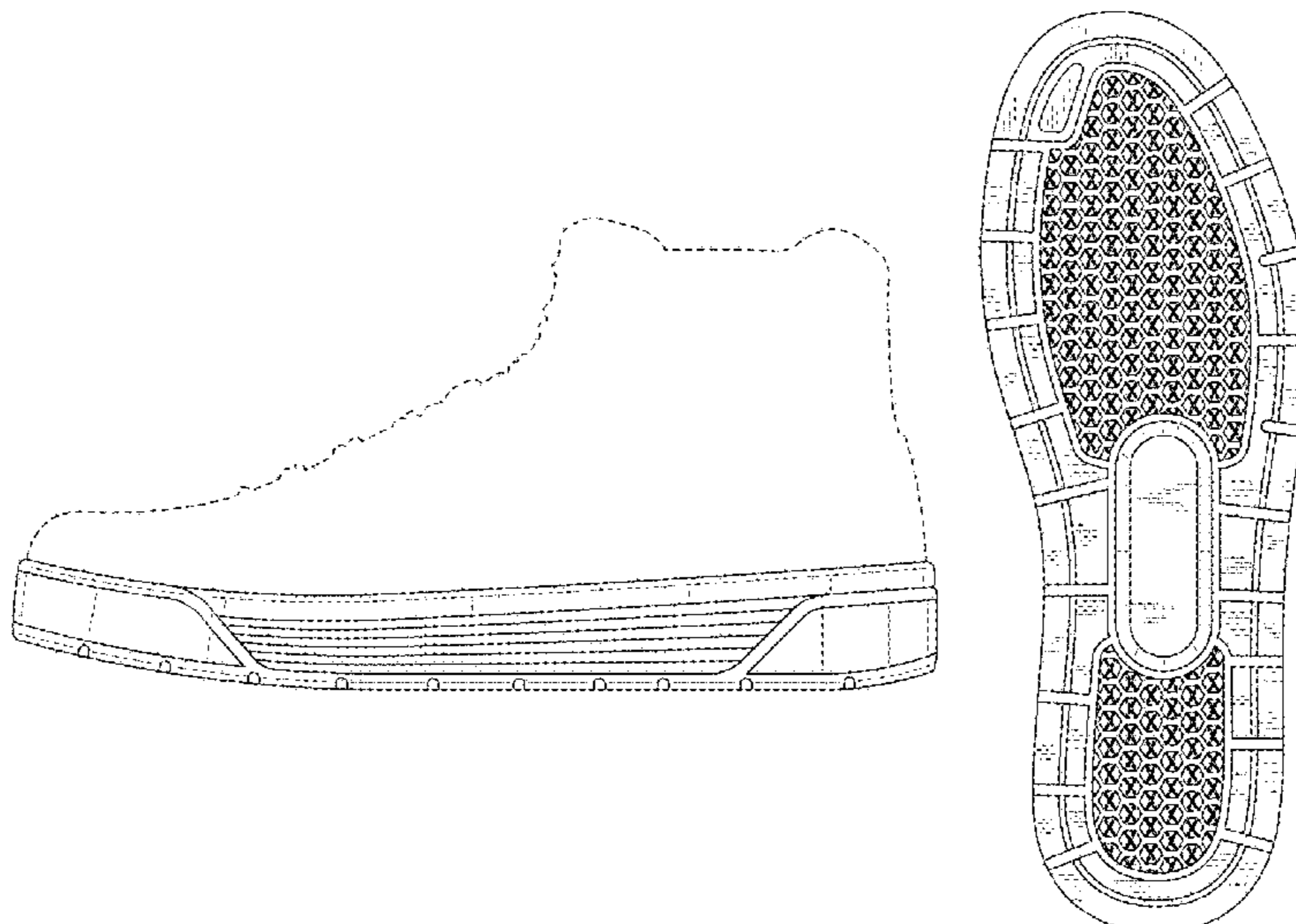
(57) **CLAIM**

The ornamental design for a shoe outsole, as shown and described.

DESCRIPTION

FIG. 1 is a front and left side perspective view of a shoe outsole showing my new design;
FIG. 2 is a front elevational view thereof;
FIG. 3 is a rear elevational view thereof;
FIG. 4 is right side elevational view thereof;
FIG. 5 is a left side elevational view thereof;
FIG. 6 is a top plan view thereof;
FIG. 7 is a bottom plan view thereof; and,
FIG. 8 is a bottom perspective view thereof.
The dashed lines shown in the drawings are included for illustrative purposes only and form no part of the claimed design.

1 Claim, 7 Drawing Sheets



(56)

References Cited

U.S. PATENT DOCUMENTS

D429,551 S 8/2000 Wilson
 D437,477 S 2/2001 Tyler
 D437,675 S 2/2001 Dahlsten
 D442,357 S * 5/2001 Burt D2/947
 D449,919 S * 11/2001 McClaskie D2/951
 D460,854 S 7/2002 Hung
 D504,757 S 5/2005 Schoenborn et al.
 D512,819 S 12/2005 Usuki et al.
 D512,821 S * 12/2005 Lee D2/958
 D514,286 S 2/2006 Kayano et al.
 D520,721 S * 5/2006 White D2/957
 D546,036 S 7/2007 Schoenborn et al.
 D548,435 S * 8/2007 McClaskie D2/953
 D554,839 S * 11/2007 Jensen D2/957
 D560,884 S * 2/2008 McClaskie D2/953
 D564,191 S * 3/2008 Jensen D2/953
 D571,089 S * 6/2008 Centurione D2/956
 D572,885 S * 7/2008 Jensen D2/953
 D578,282 S * 10/2008 Duffy D2/951
 D593,740 S 6/2009 McClaskie
 D594,195 S 6/2009 Nakano
 D595,489 S * 7/2009 McClaskie D2/951
 D599,985 S * 9/2009 Schwartz D2/917
 D601,334 S 10/2009 Werman
 D604,932 S 12/2009 Le
 D608,991 S * 2/2010 Lamont D2/951
 D635,748 S * 4/2011 Katz D2/902

D638,616 S * 5/2011 Gibson D2/951
 D650,566 S * 12/2011 Yamashita D2/951
 D655,902 S * 3/2012 Debiase D2/951
 D657,941 S 4/2012 Bramani et al.
 D671,306 S * 11/2012 Tzenos D2/947
 D674,177 S 1/2013 Earle
 D695,508 S 12/2013 Earle
 D695,509 S 12/2013 Earle
 D695,510 S 12/2013 Earle
 D697,297 S * 1/2014 McClaskie D2/951
 D702,429 S 4/2014 Earle
 D707,932 S * 7/2014 Lonigan D2/951
 D714,039 S * 9/2014 Miner D2/951
 D724,830 S 3/2015 Joseph
 9,003,678 B2 * 4/2015 Wan A43B 13/141
 36/25 R
 D728,902 S * 5/2015 Conchieri D2/902
 D734,008 S * 7/2015 Marvin D2/951
 D735,454 S * 8/2015 Yun D2/951
 D741,588 S 10/2015 Weeks
 D770,741 S * 11/2016 Teteriatnikov D2/951
 2006/0021253 A1 2/2006 Pasternak et al.
 2009/0139114 A1 6/2009 Malek
 2014/0082968 A1 3/2014 Binzer
 2014/0283413 A1 * 9/2014 Christensen A43B 3/0057
 36/102
 2015/0342300 A1 * 12/2015 Cin A43B 17/003
 36/103
 2016/0302513 A1 * 10/2016 Bell A43B 5/001

* cited by examiner

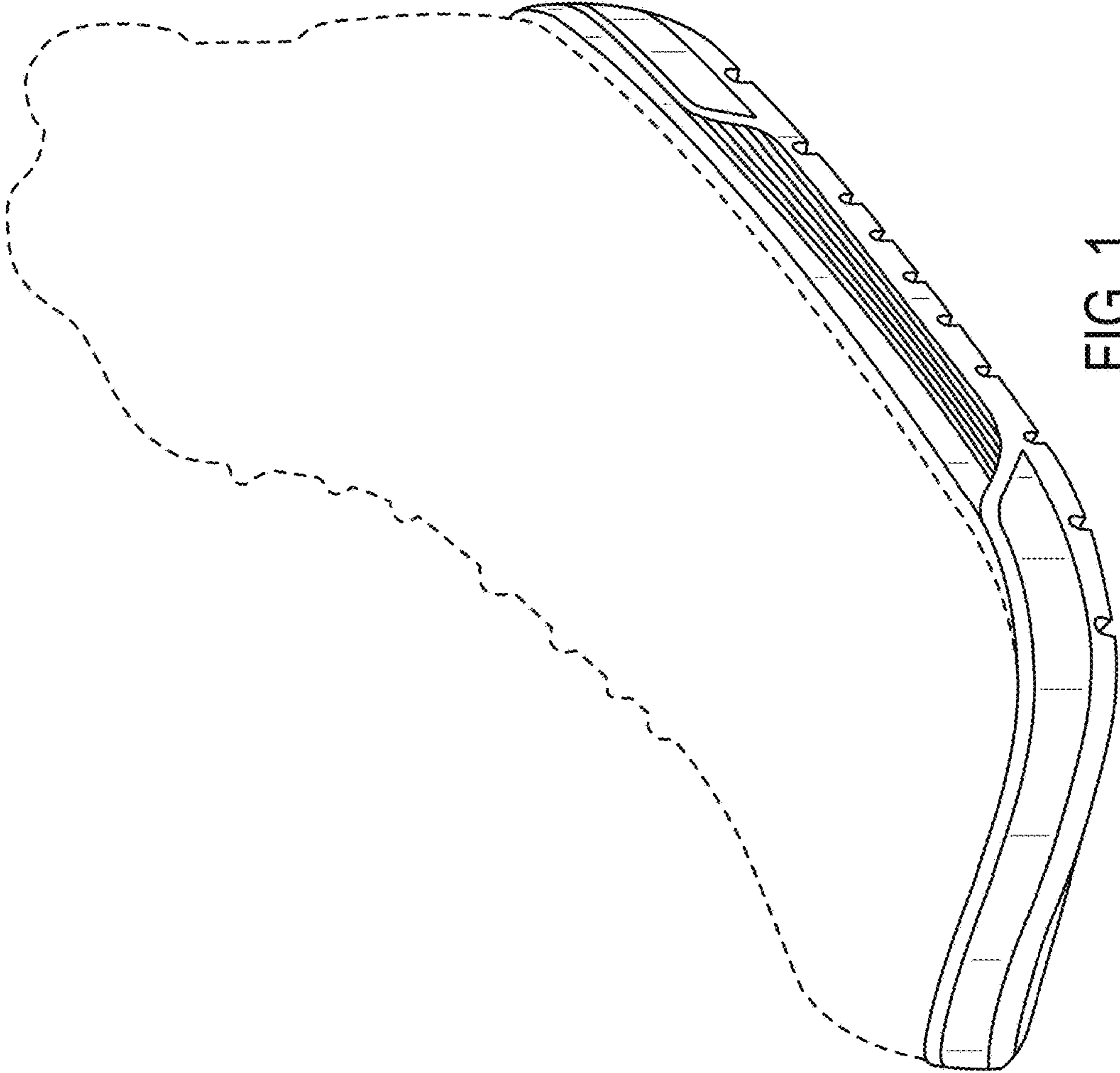


FIG. 1

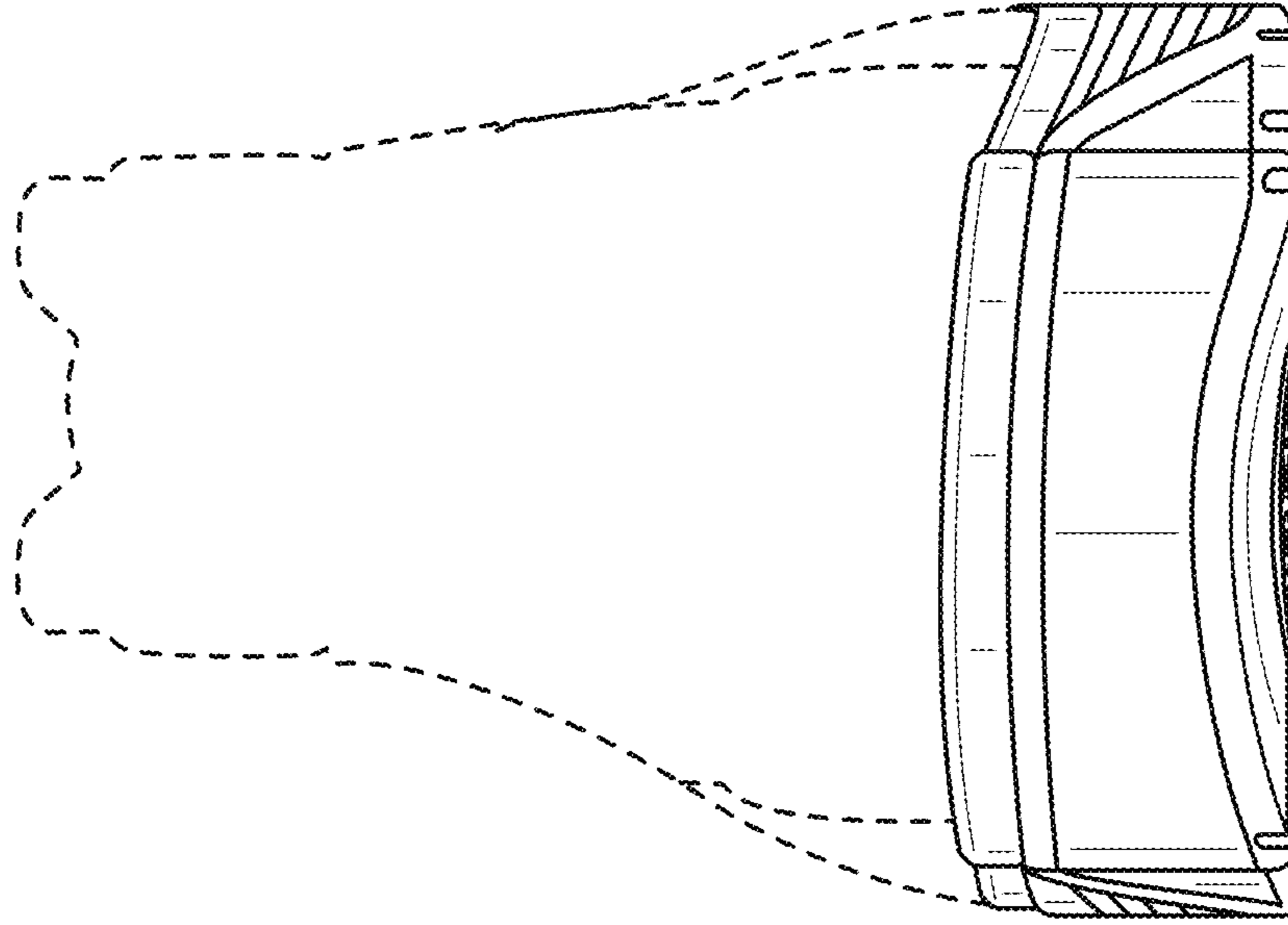


FIG. 2

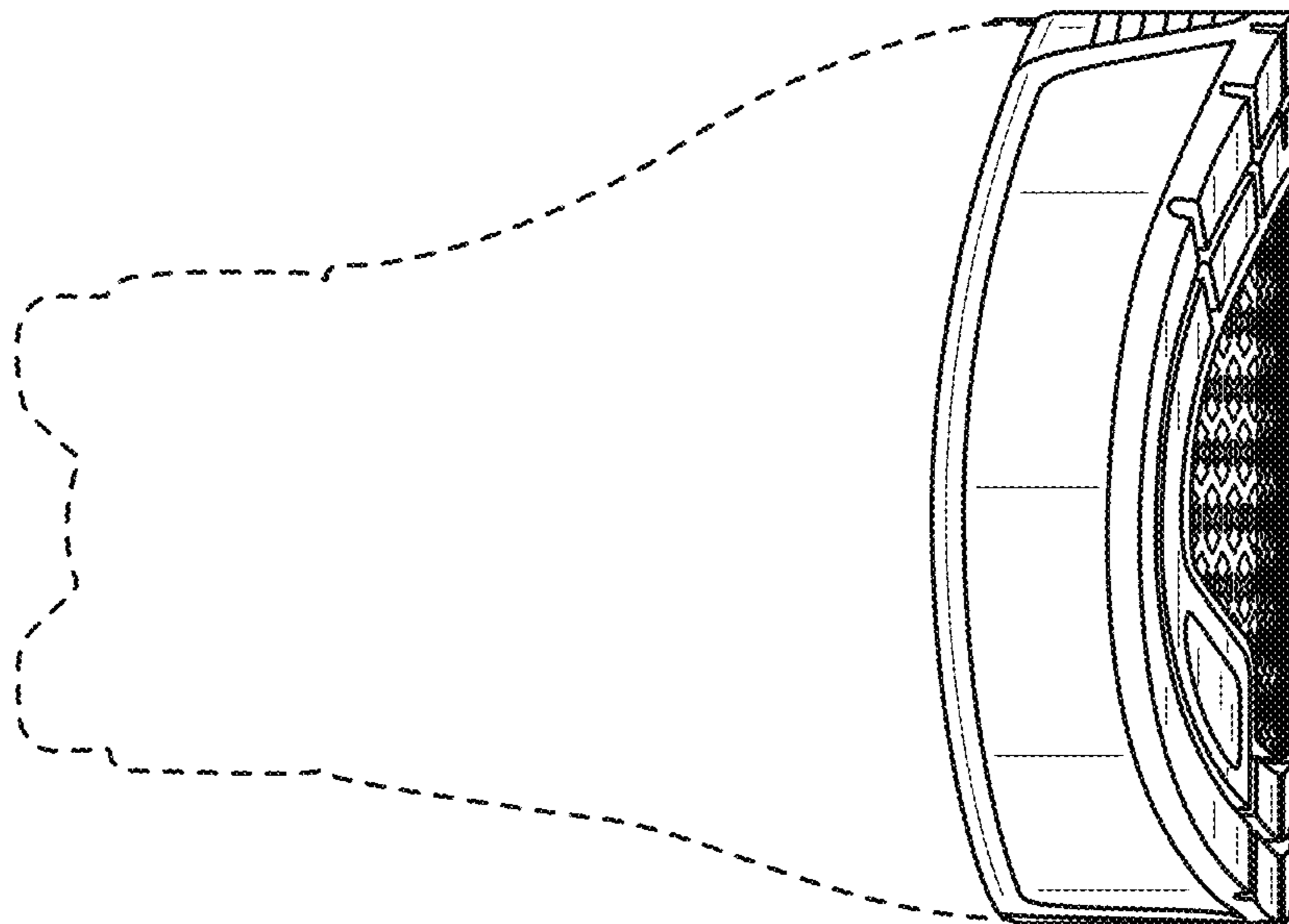


FIG. 3

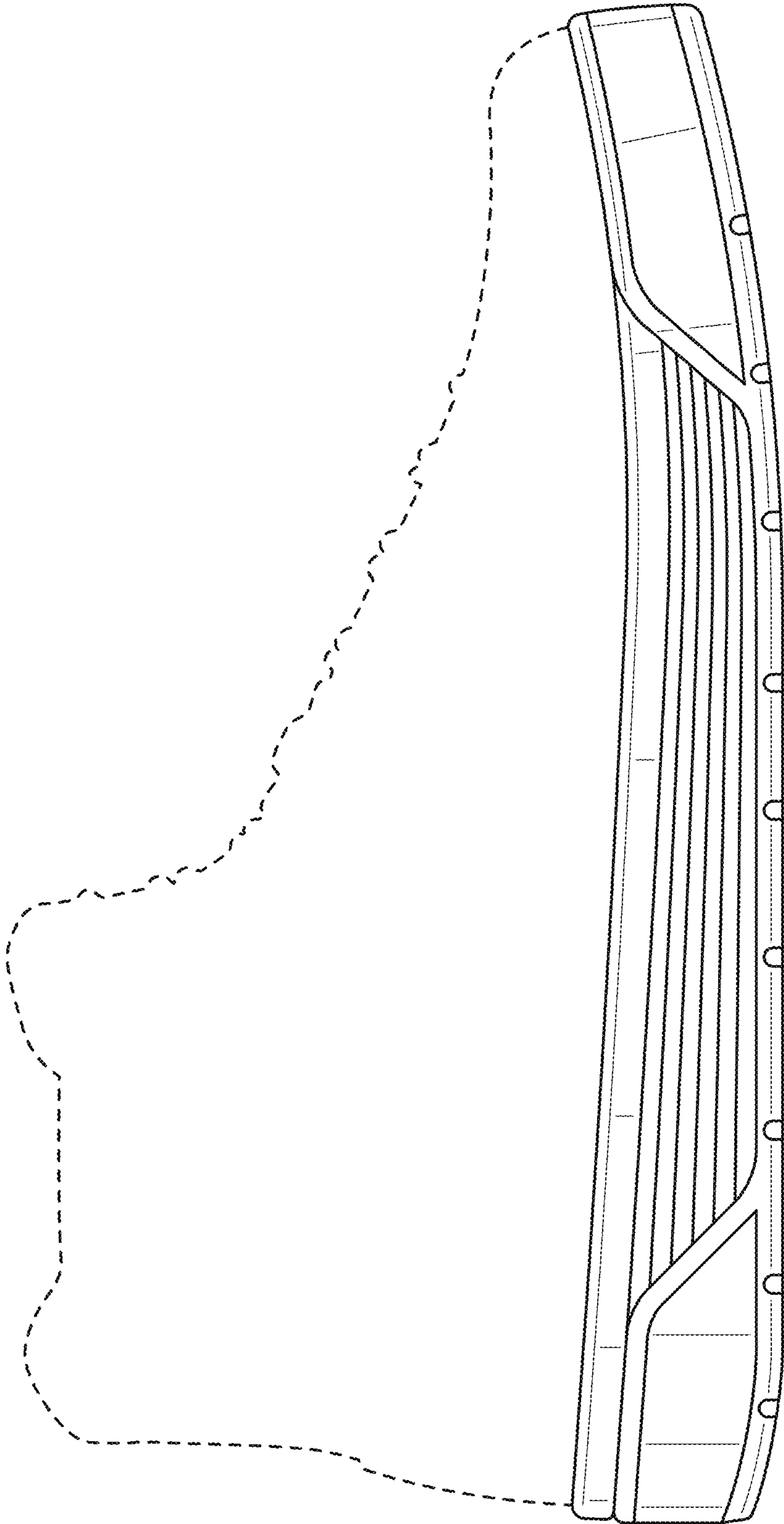


FIG. 4

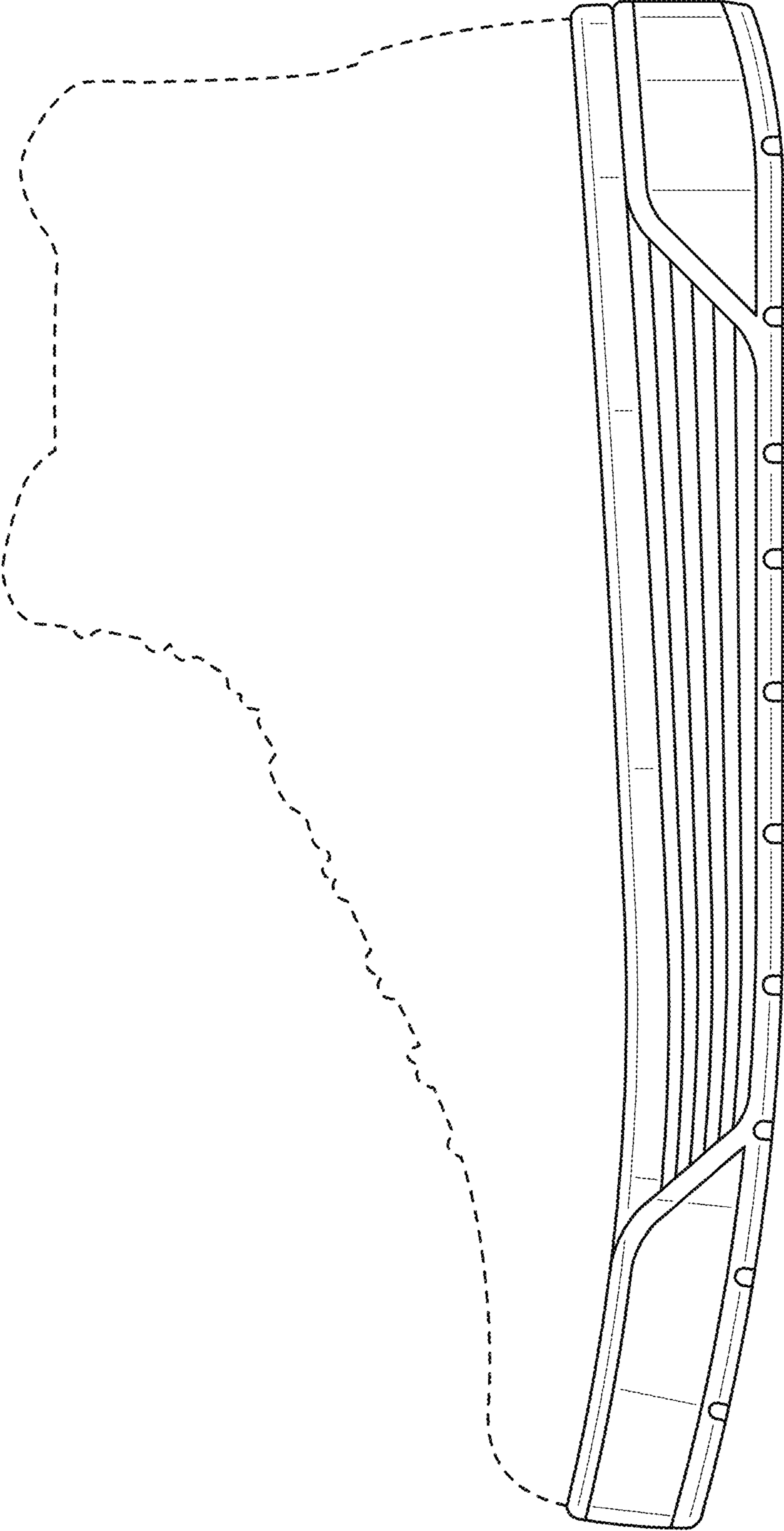


FIG. 5

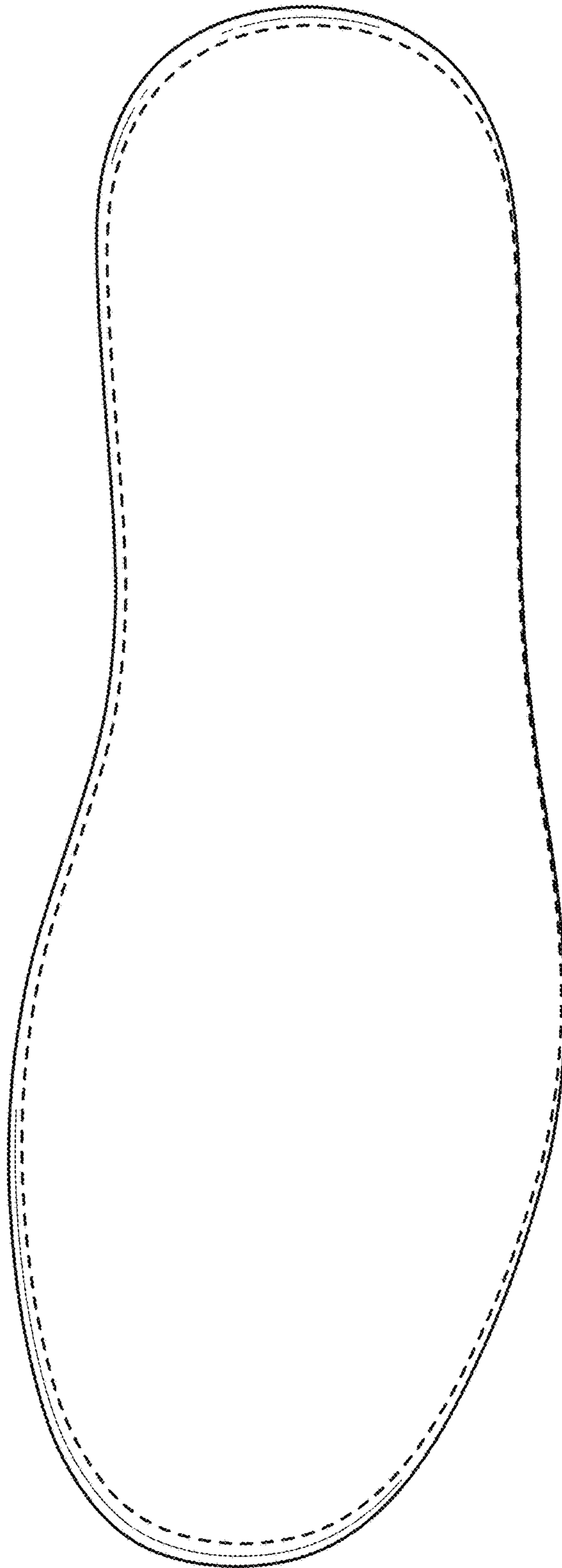


FIG. 6

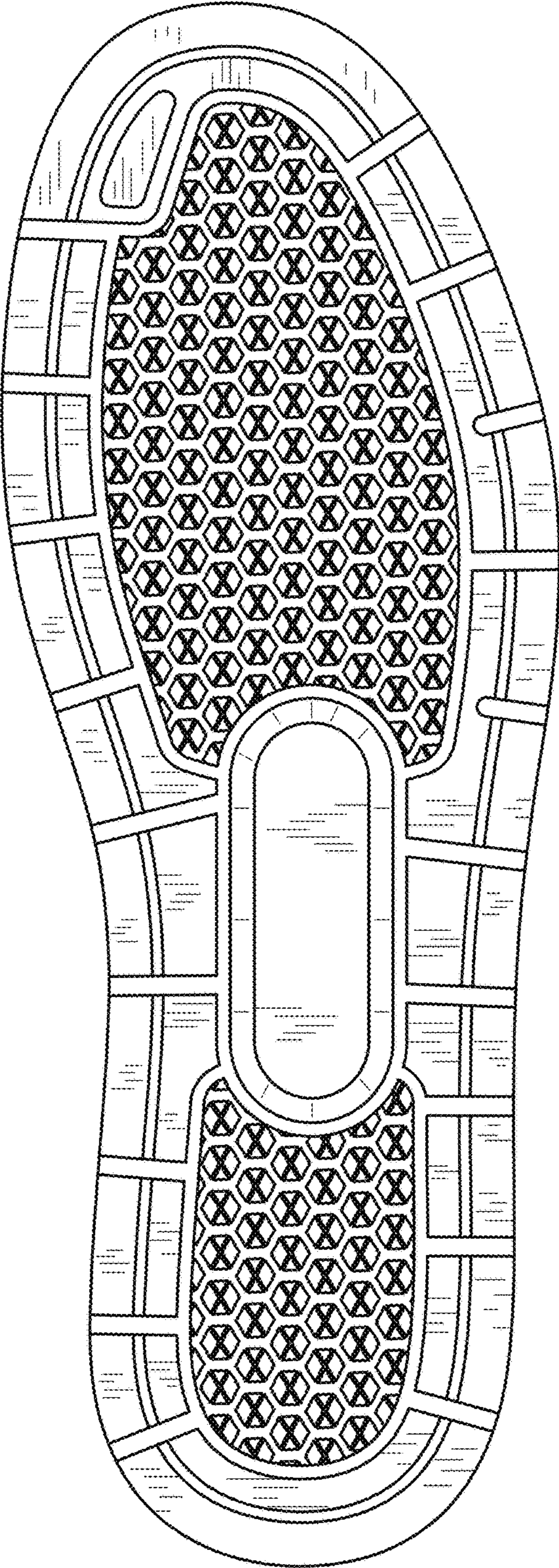


FIG. 7

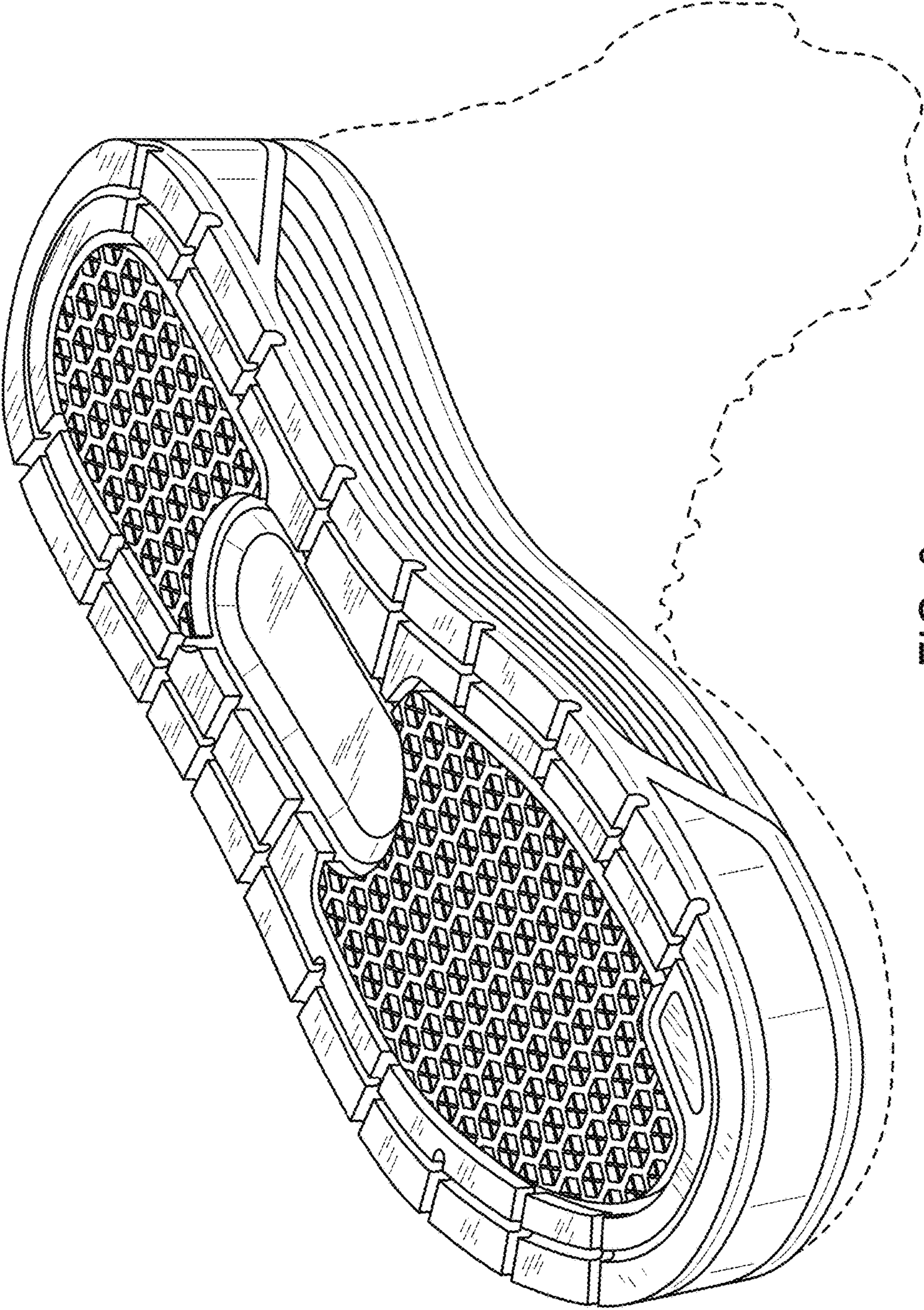


FIG. 8