



US00D794283S

(12) **United States Design Patent**
Lacy et al.

(10) **Patent No.:** **US D794,283 S**

(45) **Date of Patent:** **** Aug. 15, 2017**

(54) **FORAGE CAP**

(71) Applicant: **SUNDAY AFTERNOONS, INC.**,
Talent, OR (US)

(72) Inventors: **Robbin Lacy**, Talent, OR (US); **Russell
Hodgdon**, Talent, OR (US); **Gulnara
Iskhakova**, Talent, OR (US)

(73) Assignee: **Sunday Afternoons, Inc.**, Talent, OR
(US)

(**) Term: **15 Years**

(21) Appl. No.: **29/572,294**

(22) Filed: **Jul. 26, 2016**

Related U.S. Application Data

(62) Division of application No. 29/497,489, filed on Jul.
24, 2014, now Pat. No. Des. 764,150.

(51) **LOC (10) Cl.** **02-03**

(52) **U.S. Cl.**
USPC **D2/882**

(58) **Field of Classification Search**
USPC D2/865, 866, 872, 873, 875, 876, 879,
D2/882, 884, 886, 890
CPC A42B 1/00; A42B 1/02; A42B 1/04; A42B
1/041; A42B 1/06; A42B 1/061; A42B
1/062; A42B 1/18; A42B 1/201; A42B
1/206; A42B 1/22; A42B 1/225; A42B
1/242; A42B 1/247; A42B 1/248
See application file for complete search history.

(56) **References Cited**

U.S. PATENT DOCUMENTS

592,298 A * 10/1897 Lattimore A42B 1/248
2/195.1
1,156,980 A * 10/1915 Coppers A42B 1/22
2/195.4

1,723,276 A * 8/1929 Gottlieb A63B 57/203
2/209.13

D135,146 S * 3/1943 Maxwell et al. D2/882
D136,499 S * 10/1943 Cookman D2/882

(Continued)

OTHER PUBLICATIONS

Sun Tripper Cap by Sunday Afternoons, [on-line]; [video posted to
the Internet Mar. 14, 2014]; [retrieved from the Internet Dec. 29,
2016]; URL: <<https://www.youtube.com/watch?v=1-g-hLCVPI8>>.
(4 pages).*

(Continued)

Primary Examiner — Karen E. Eldridge Powers

Assistant Examiner — Jasmine Mlinarcik

(74) *Attorney, Agent, or Firm* — McCoy Russell LLP

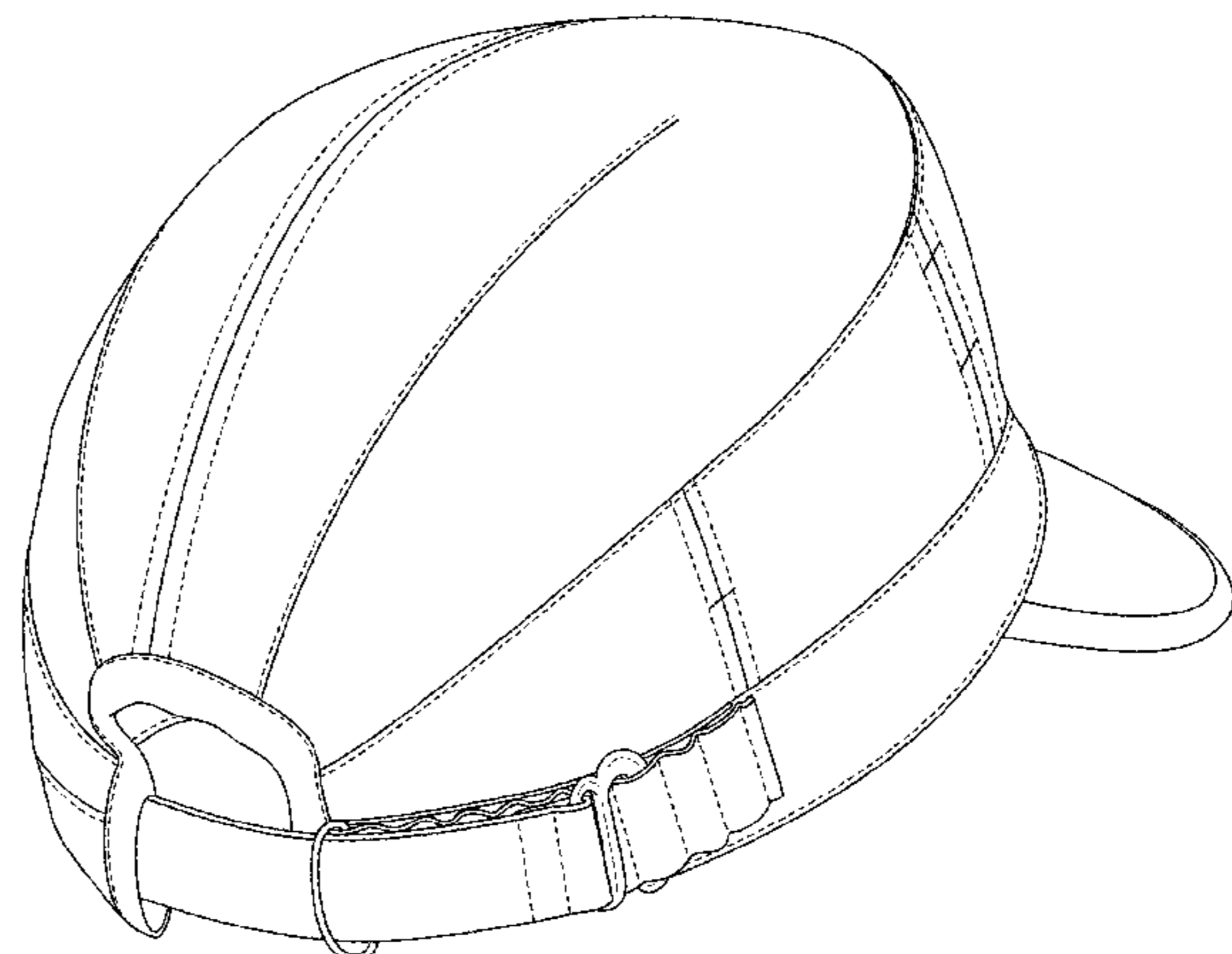
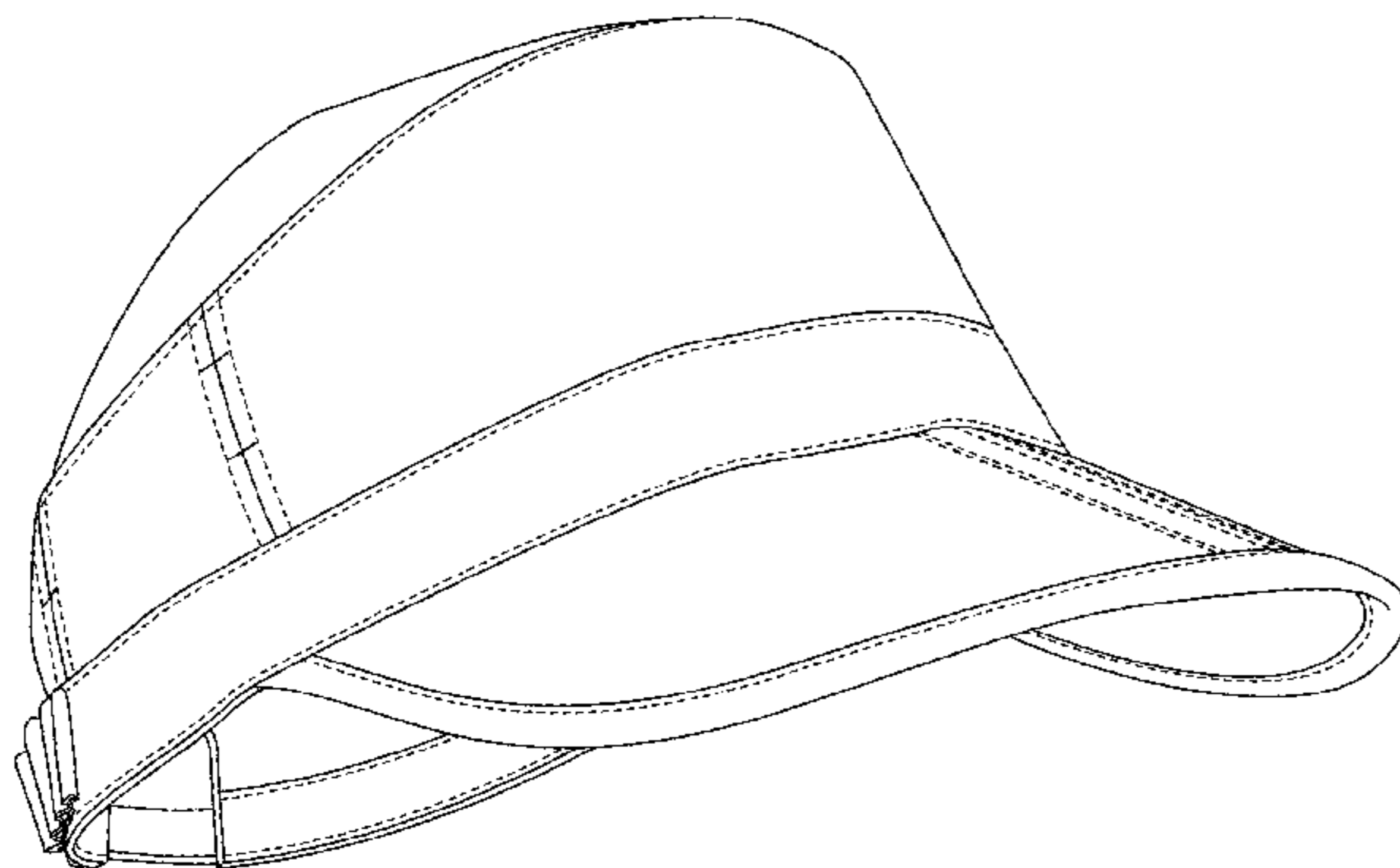
(57) **CLAIM**

The ornamental design for a forage cap, as shown and
described.

DESCRIPTION

FIG. 1 is a front-right perspective view of a design for a
forage cap according to the present invention;
FIG. 2 is a top plan view thereof;
FIG. 3 is a front elevation view thereof;
FIG. 4 is a rear elevation view thereof;
FIG. 5 is a rear-right perspective view thereof;
FIG. 6 is right side elevation view thereof;
FIG. 7 is a left side elevation view thereof;
FIG. 8 is a bottom plan view thereof;
FIG. 9 is a front-right perspective view thereof, showing
example optics positioned on the forage cap; and,
FIG. 10 is a rear elevation view thereof, showing example
optics positioned on the forage cap.
The broken lines shown as part of the forage cap itself
illustrate features of the article of manufacture that form no
part of the claimed design. The broken lines illustrating
optics represent environmental structure that forms no part
of the claimed design.

1 Claim, 10 Drawing Sheets



(56)

References Cited

U.S. PATENT DOCUMENTS

D178,682 S * 9/1956 Lipschutz D2/882
D186,868 S * 12/1959 De Grazia D2/882
D289,700 S * 5/1987 Burns D2/884
D364,494 S * 11/1995 Sisera D2/869
D384,489 S * 10/1997 Ethier D2/866
D388,240 S * 12/1997 Martz D2/884
5,845,338 A * 12/1998 Clark A42B 1/206
2/171.1
D423,196 S * 4/2000 White D2/882
6,167,569 B1 * 1/2001 Conner, IV A42B 1/006
2/195.1
D439,728 S * 4/2001 Smith D2/866
D450,173 S * 11/2001 Allen D2/866
6,357,051 B1 * 3/2002 Lee A42B 1/201
2/195.1
6,446,266 B1 * 9/2002 Park A42B 1/22
2/175.1
D491,714 S * 6/2004 Upcott D2/875
7,275,270 B2 * 10/2007 Cotutsca A42B 1/247
2/209.13
D603,586 S * 11/2009 Miller D2/882
D616,633 S * 6/2010 Lacy D2/882
7,904,970 B2 * 3/2011 Thomas A42B 1/247
2/195.6
D636,976 S * 5/2011 McIntosh D2/882

D672,119 S * 12/2012 Mayleben D2/882
D673,352 S * 1/2013 Robinson D2/876
D678,663 S * 3/2013 Gill D2/882
D683,111 S * 5/2013 Rogers D2/876
D691,349 S * 10/2013 Pearson D2/882
D718,021 S * 11/2014 Werczberger D2/882
D723,249 S * 3/2015 Azam D2/882
D764,150 S * 8/2016 Lacy D2/882
2002/0095715 A1 * 7/2002 Hong A42B 1/06
2/209.11
2003/0233696 A1 * 12/2003 Lee A42B 1/22
2/195.2
2015/0351478 A1 * 12/2015 Yurevich A42B 1/247
2/209.13
2016/0021962 A1 * 1/2016 Lacy A42B 1/201
2/181

OTHER PUBLICATIONS

River Tripper Cap, [on-line]; [video posted to the Internet Jun. 30, 2015]; [retrieved from the Internet Dec. 29, 2016]; URL: <https://www.youtube.com/watch?v=2CMv6frkoIE>. (5 pages).
Sun Tripper Cap, [on-line]; [posted to the Internet with a crawlback date of Oct. 5, 2012]; [retrieved from the Internet Dec. 29, 2016]; URL: <https://web.archive.org/web/20121005075246/http://www.sundayafternoons.com/sun-tripper-cap.html>. (1 page).

* cited by examiner

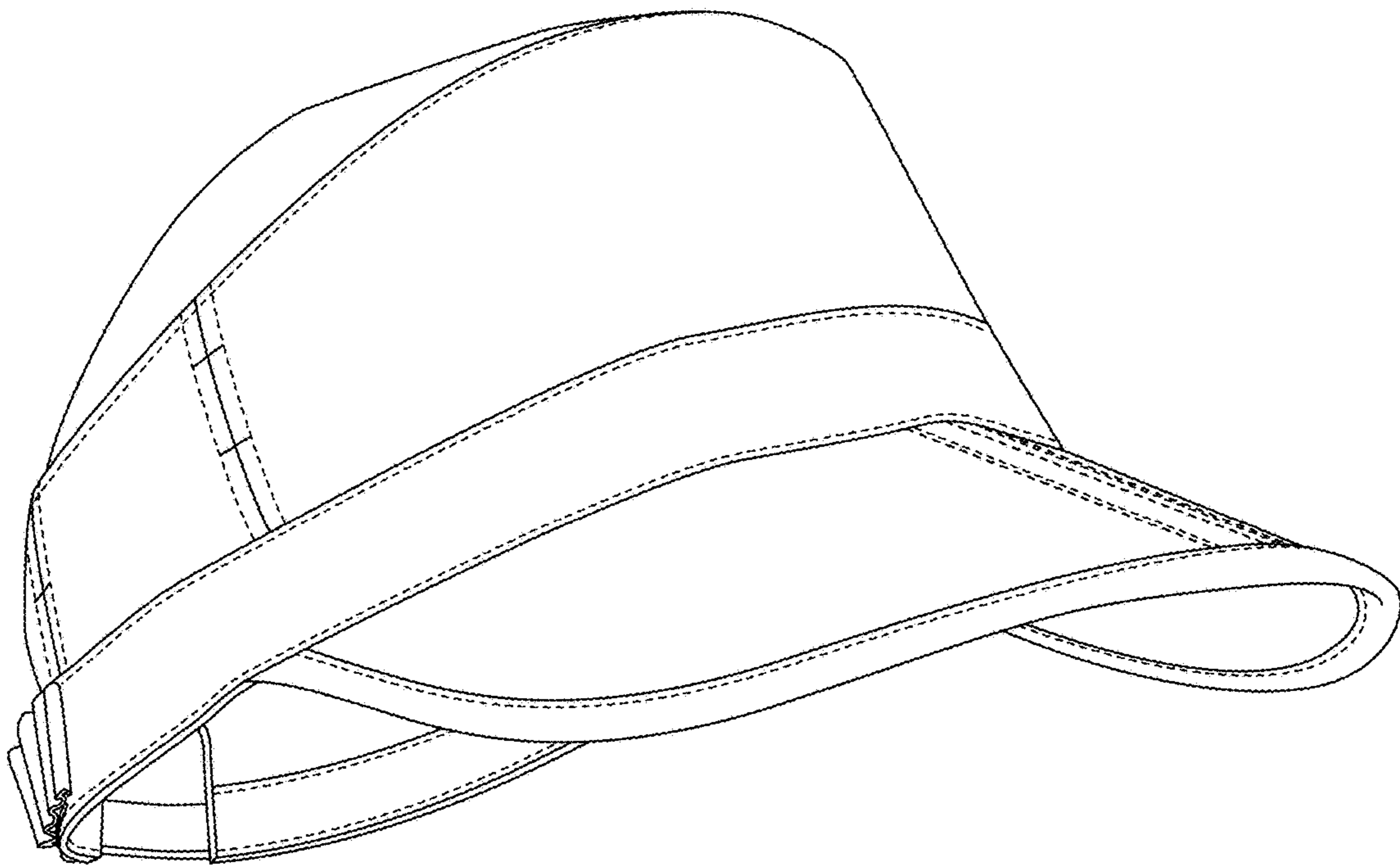


FIG. 1

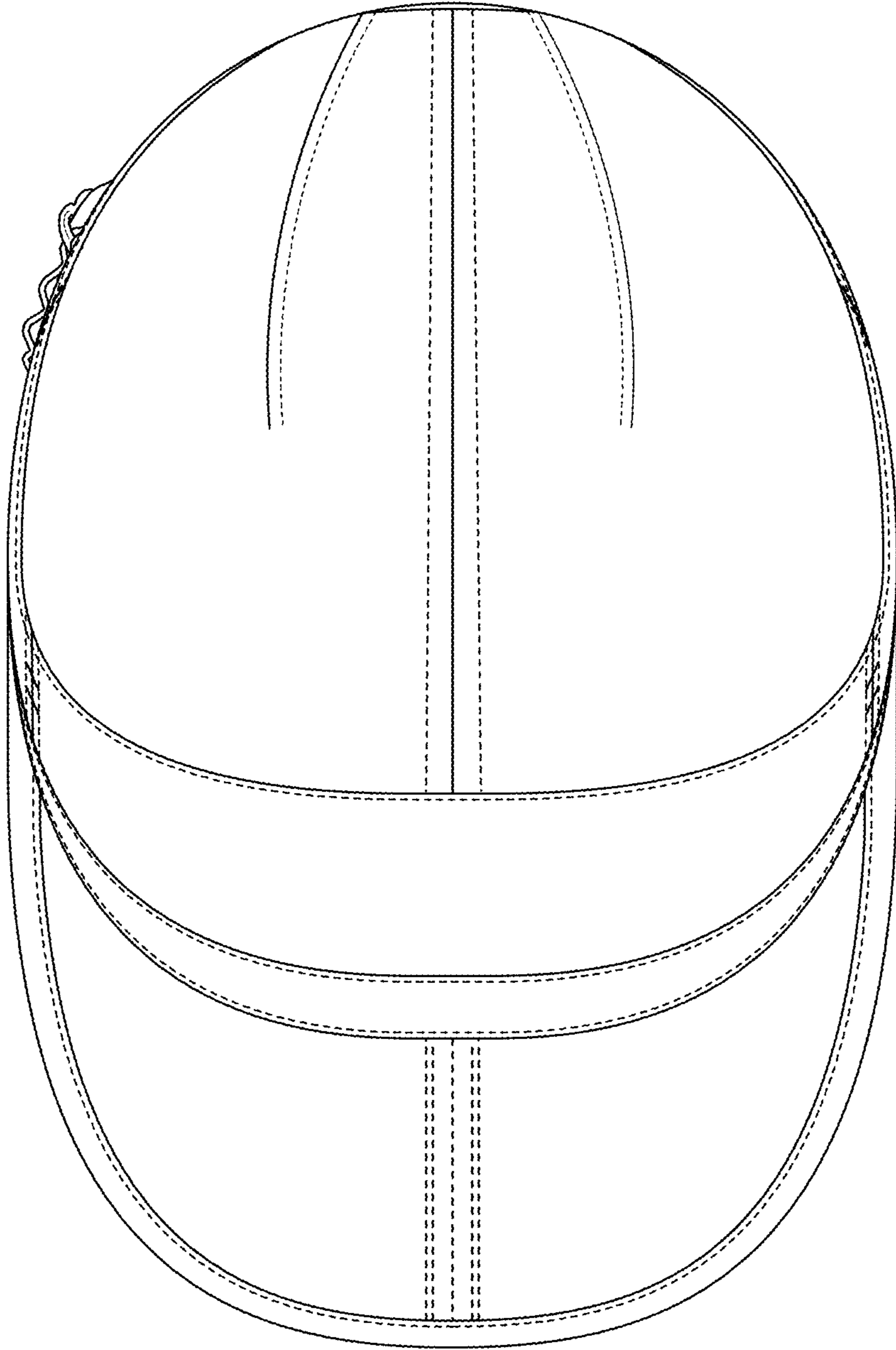


FIG. 2

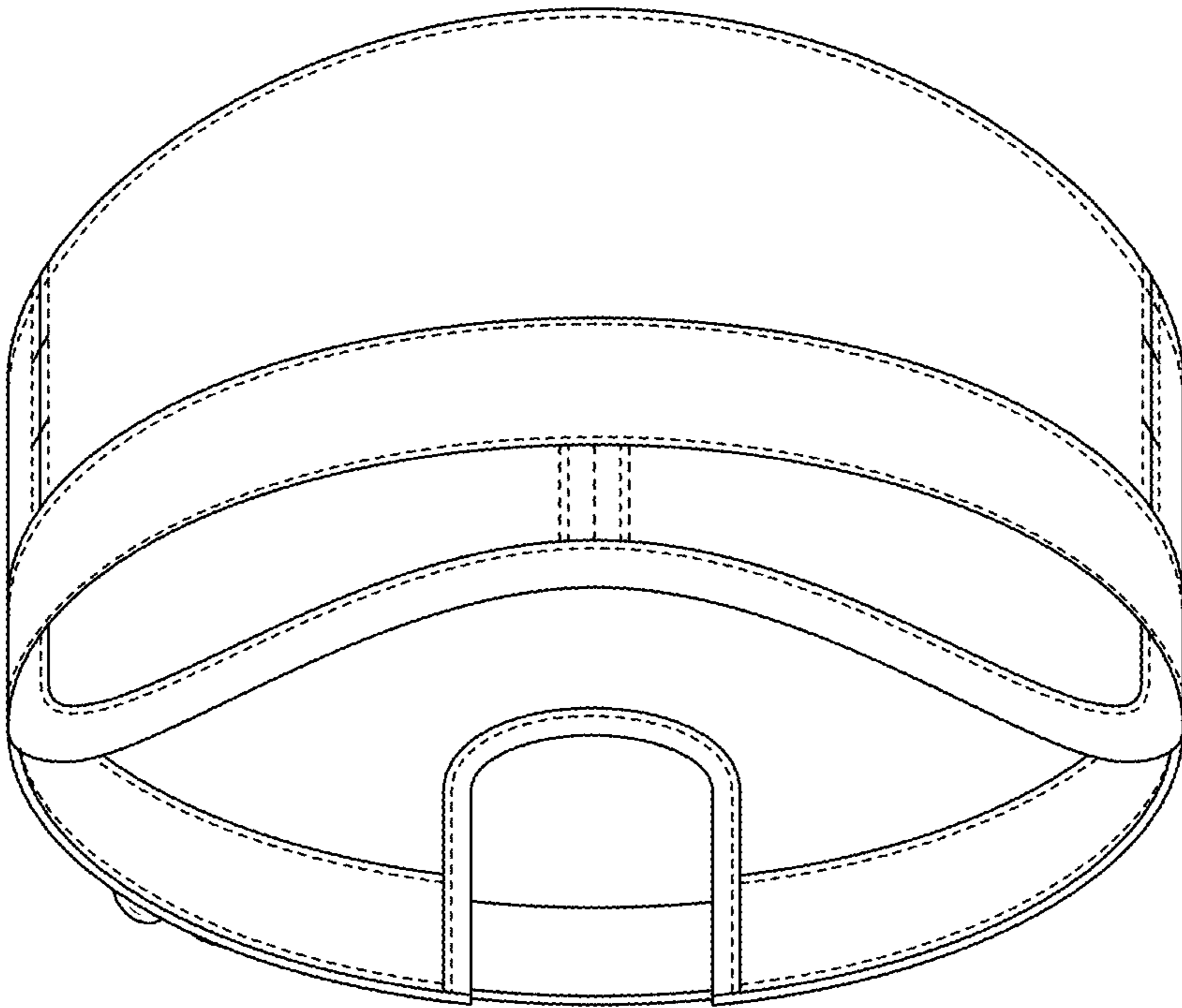


FIG. 3

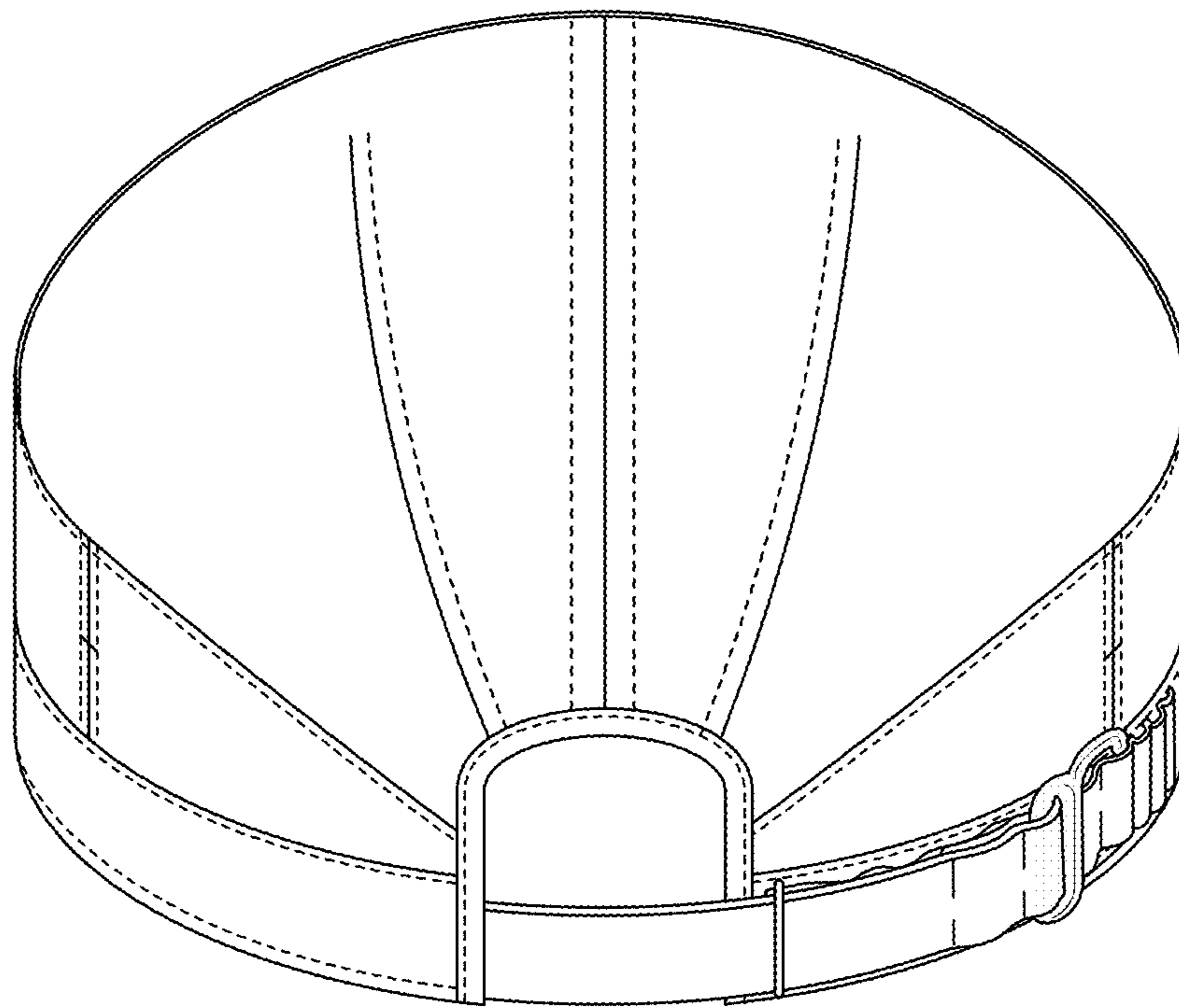


FIG. 4

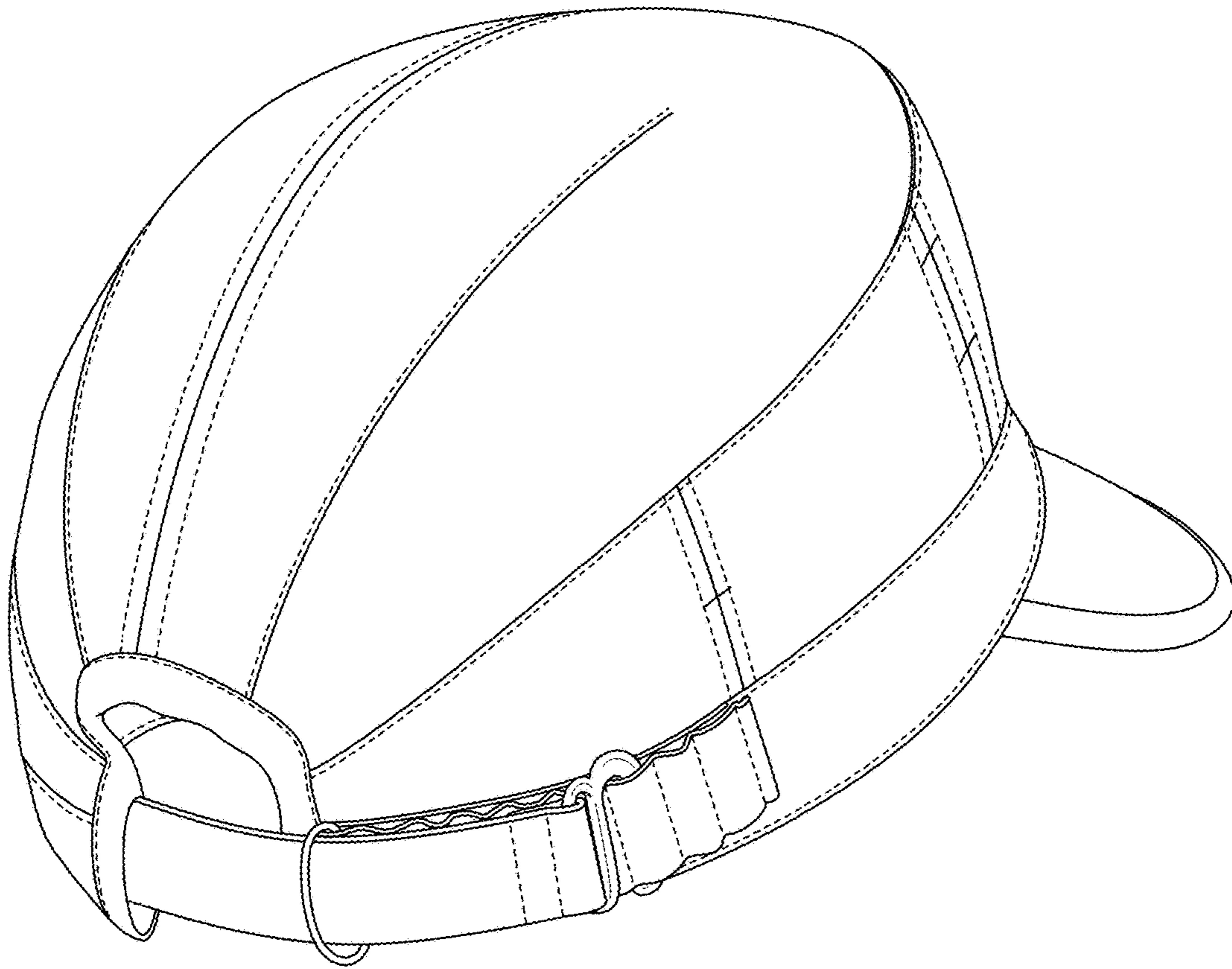


FIG. 5

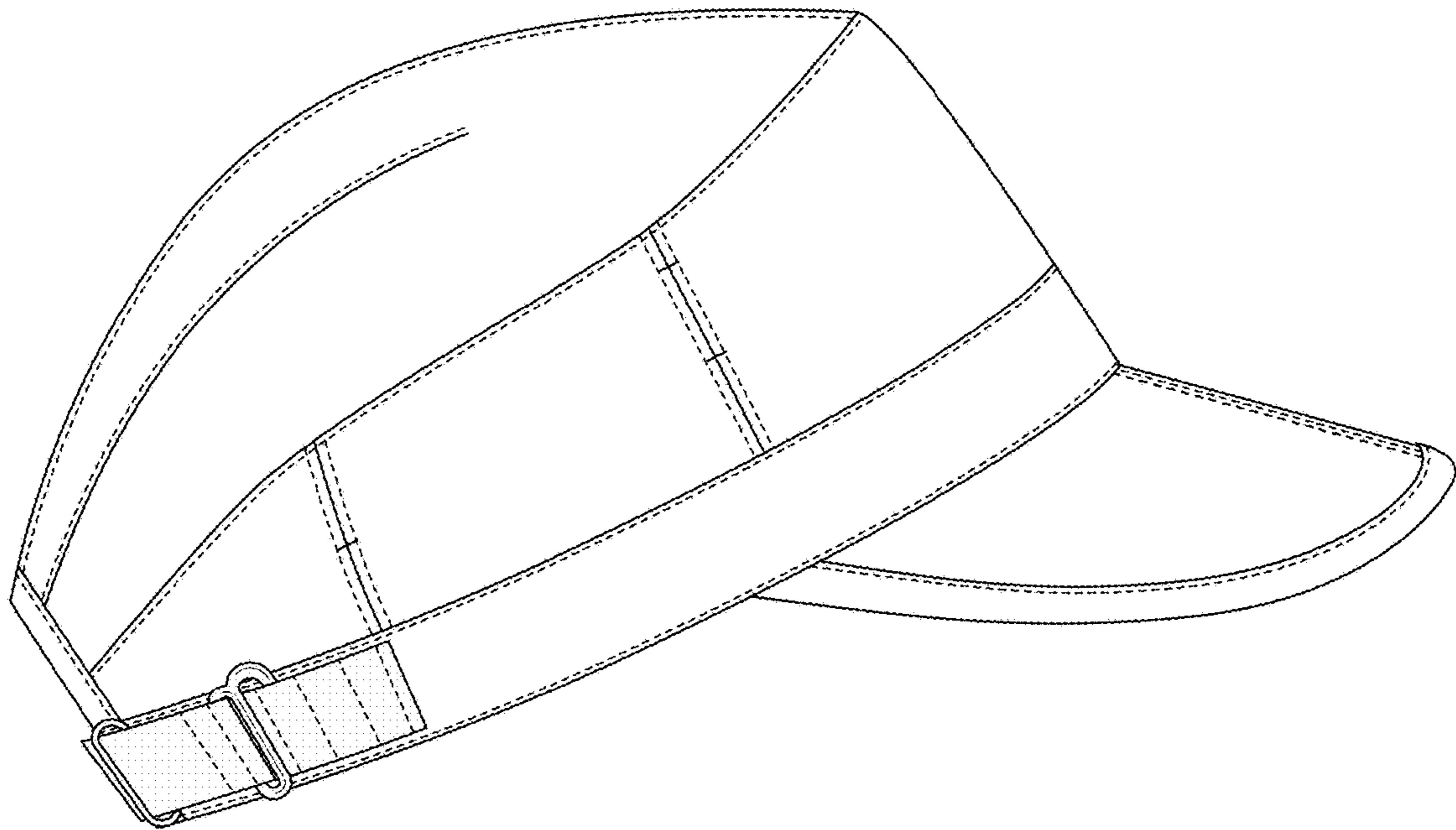


FIG. 6

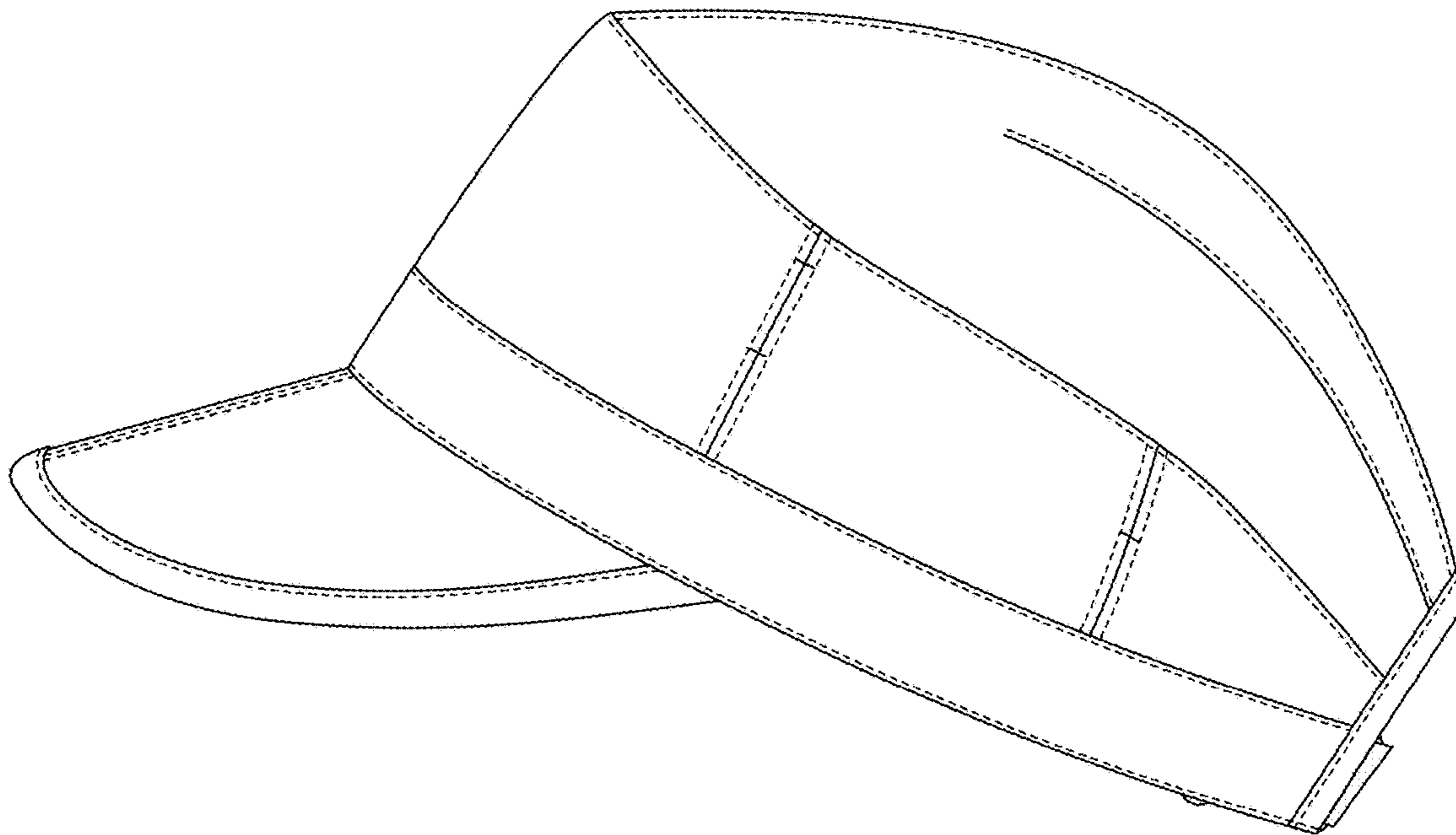


FIG. 7

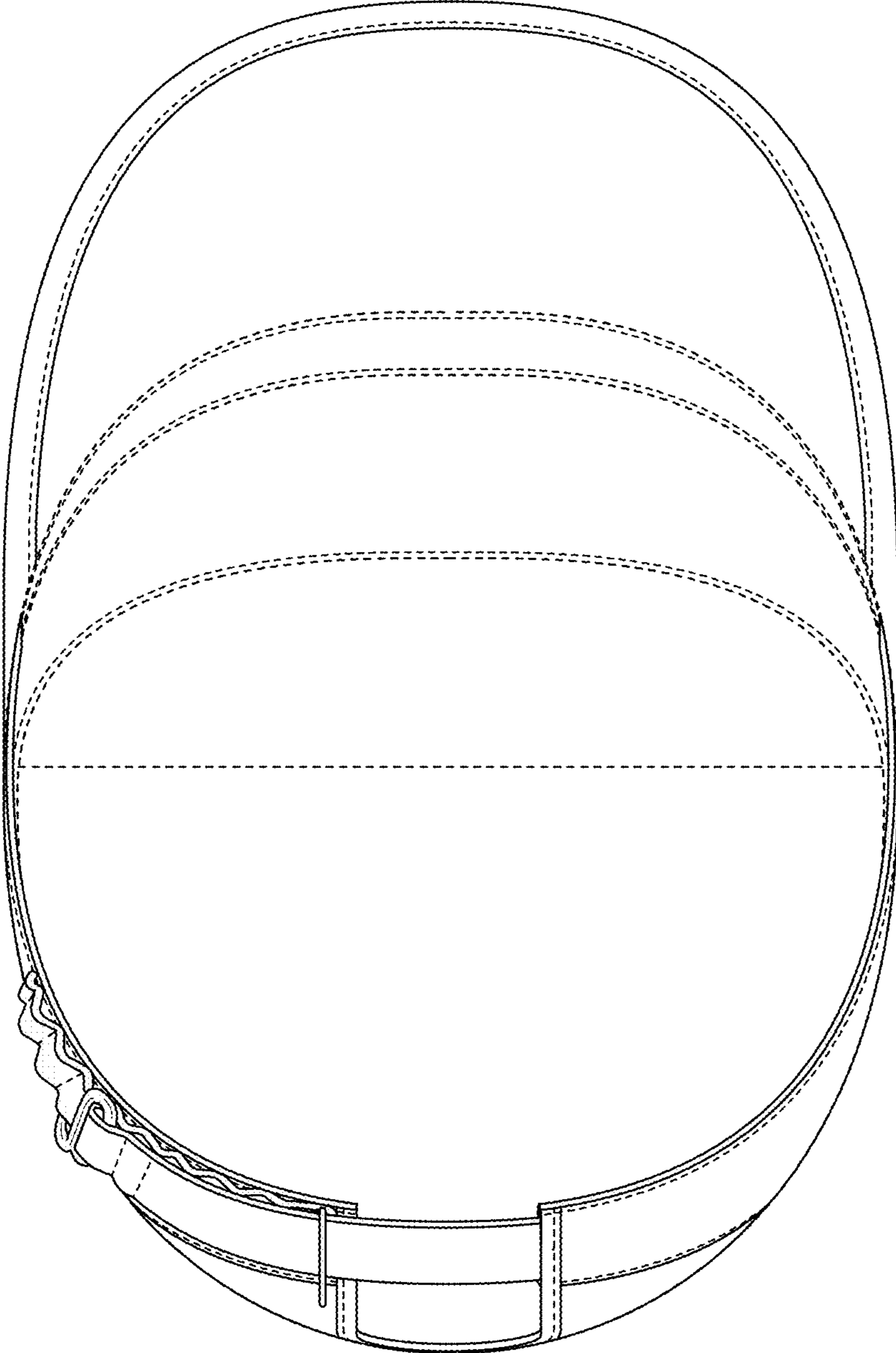


FIG. 8

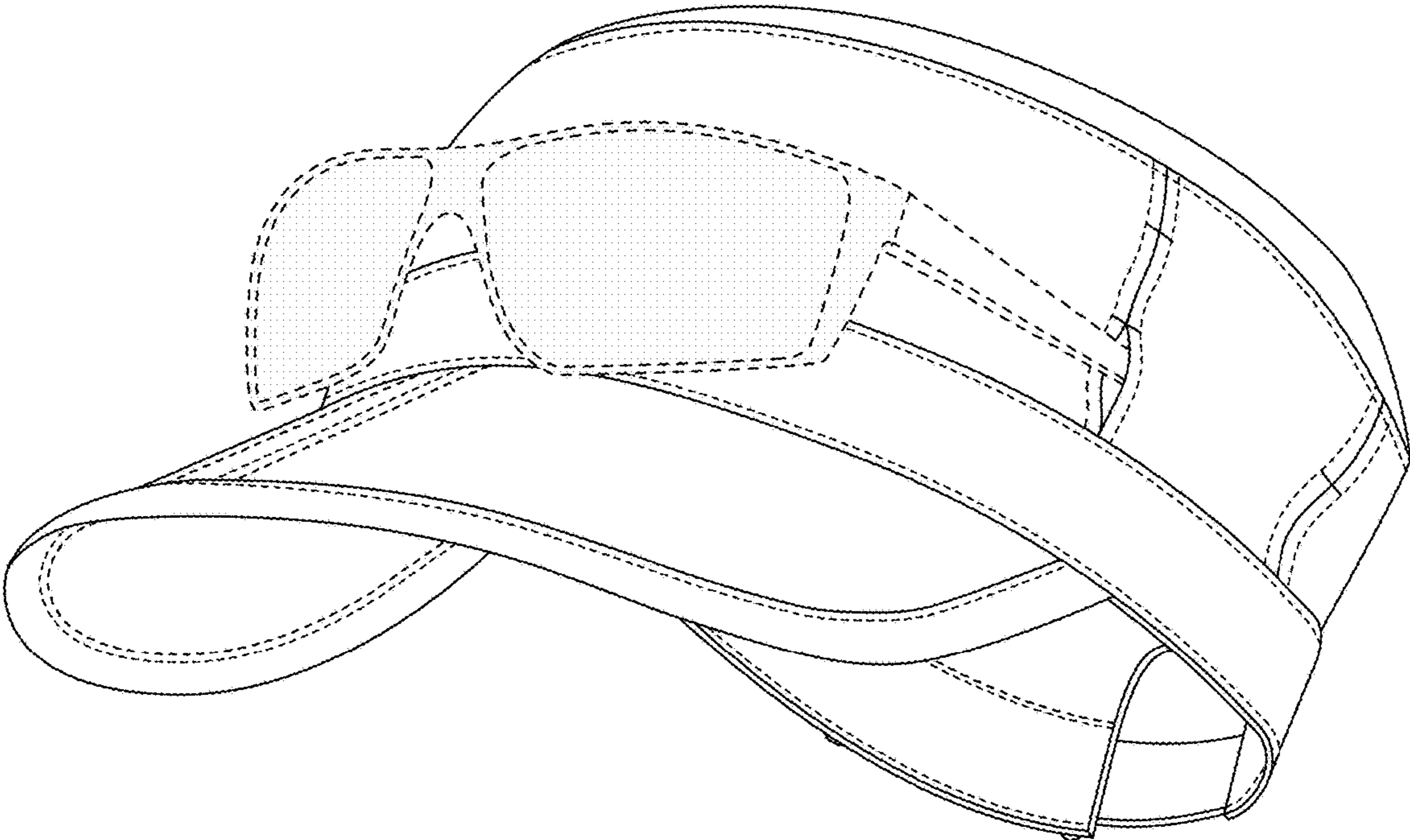


FIG. 9

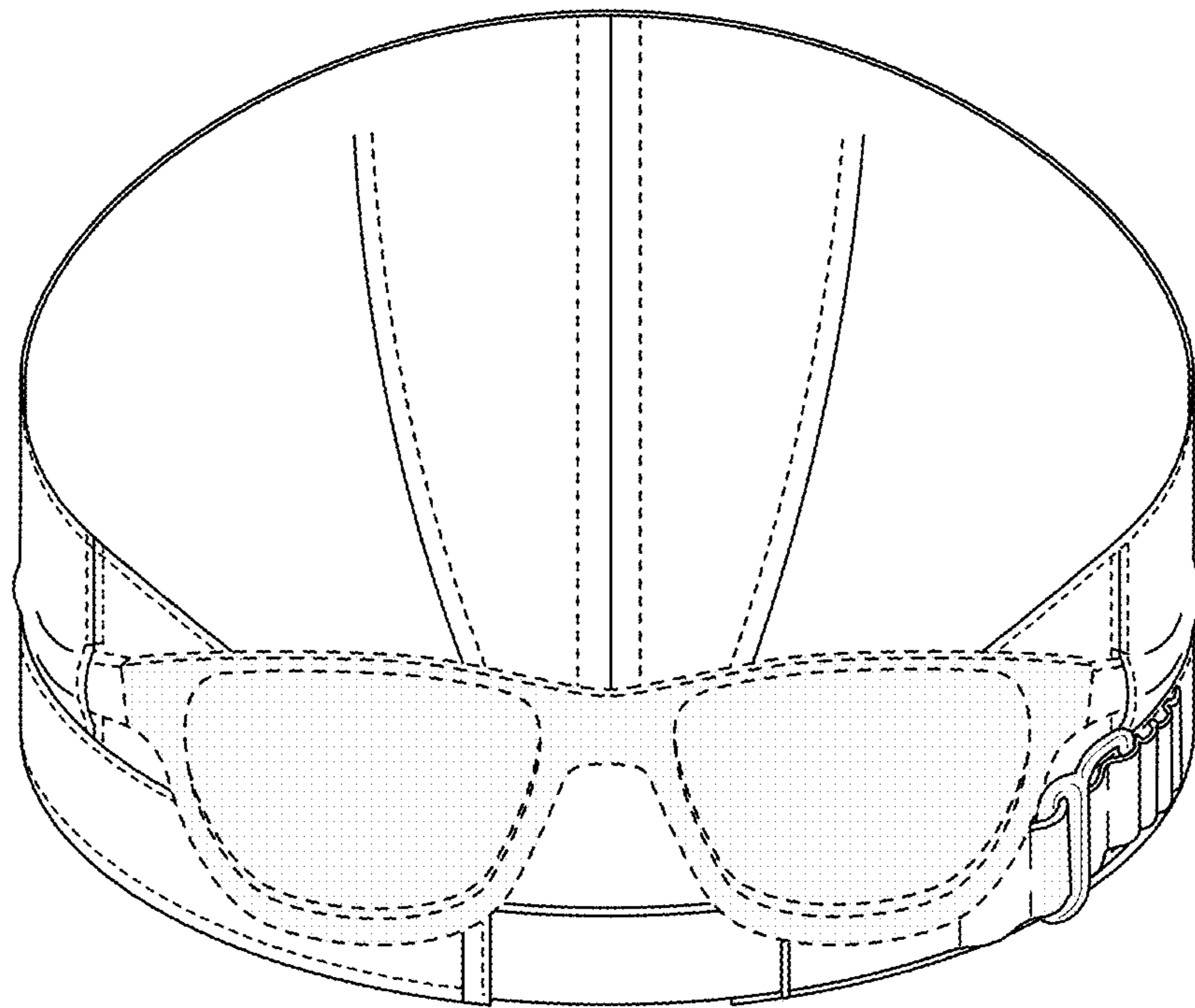


FIG. 10