



US00D794282S

(12) **United States Design Patent**
Aimone et al.

(10) **Patent No.:** **US D794,282 S**
(45) **Date of Patent:** **** Aug. 15, 2017**

- (54) **BRAIN SENSING HEADBAND**
- (71) Applicants: **Christopher Allen Aimone**, Toronto (CA); **Ariel Stephanie Garten**, Toronto (CA); **Scott E. Grant**, Toronto (CA); **Olivier Mayrand**, Waterloo (CA); **Tristan Zimmermann**, Guelph (CA)
- (72) Inventors: **Christopher Allen Aimone**, Toronto (CA); **Ariel Stephanie Garten**, Toronto (CA); **Scott E. Grant**, Toronto (CA); **Olivier Mayrand**, Waterloo (CA); **Tristan Zimmermann**, Guelph (CA)

- 2,640,198 A * 6/1953 Mullen A45D 44/12
2/174
- D337,587 S * 7/1993 Nakayama D14/205
- 6,006,361 A * 12/1999 Falco A61F 11/12
128/866
- 6,546,264 B1 * 4/2003 Kennedy A42B 3/30
379/430
- 7,076,077 B2 * 7/2006 Atsumi H04R 1/1066
381/151
- D538,269 S * 3/2007 Tragatschnig D14/223
- D617,308 S * 6/2010 Nousiainen D14/205
- 8,360,077 B2 * 1/2013 Defenbaugh A45D 8/36
132/273

(Continued)

(**) Term: **14 Years**

Primary Examiner — Karen E Eldridge Powers

(21) Appl. No.: **29/492,337**

(74) *Attorney, Agent, or Firm* — Lorelei G. Graham

(22) Filed: **May 30, 2014**

Related U.S. Application Data

(63) Continuation-in-part of application No. 29/441,527, filed on Jan. 7, 2013, now Pat. No. Des. 709,673.

(51) **LOC (10) Cl.** **02-03**

(52) **U.S. Cl.**
USPC **D2/875**

(58) **Field of Classification Search**
USPC D2/600, 602, 605, 609, 865, 871, 872, D2/873, 874, 875, 876, 877, 879, 880, D2/881, 882, 883, 884, 891, 892; D29/112; 2/10, 15, 98, 144, 145, 146, 2/155, 156, 157, 171, 171.4, 171.5, 171.8, 2/172, 181, 184, 202, 204, 206, 207, 209, 2/209.12, 195.1, 200.1, DIG. 11
See application file for complete search history.

(56) **References Cited**

U.S. PATENT DOCUMENTS

- 486,725 A * 11/1892 Mellor H04R 1/1008
128/866
- 836,087 A * 11/1906 Callahan A61F 11/06
2/209

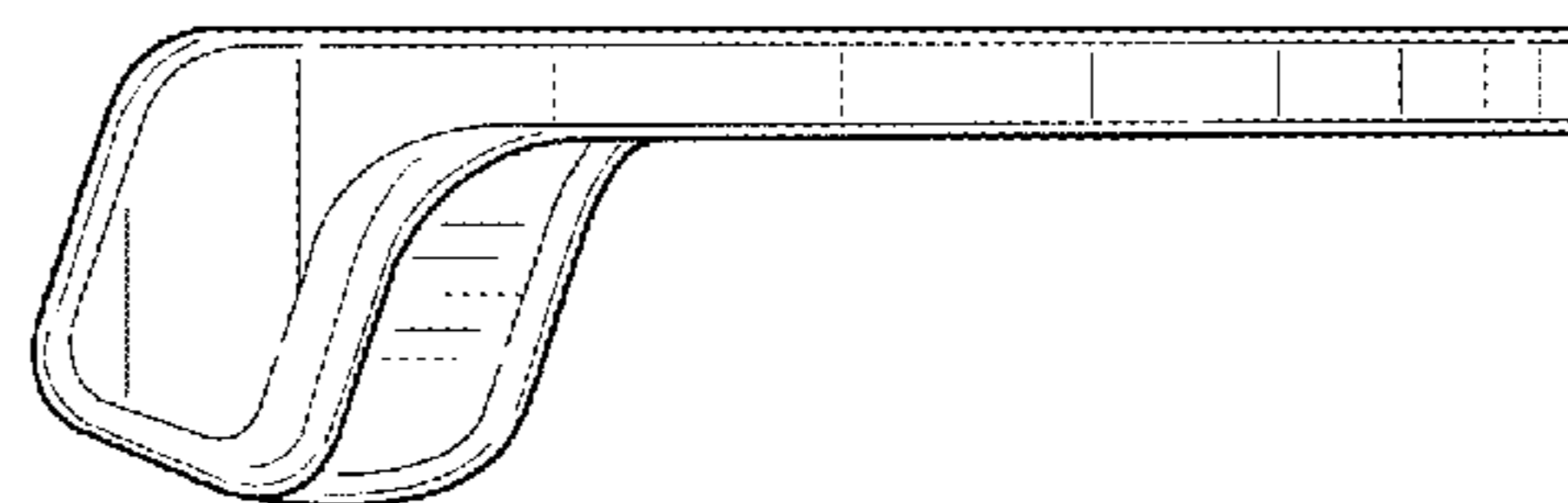
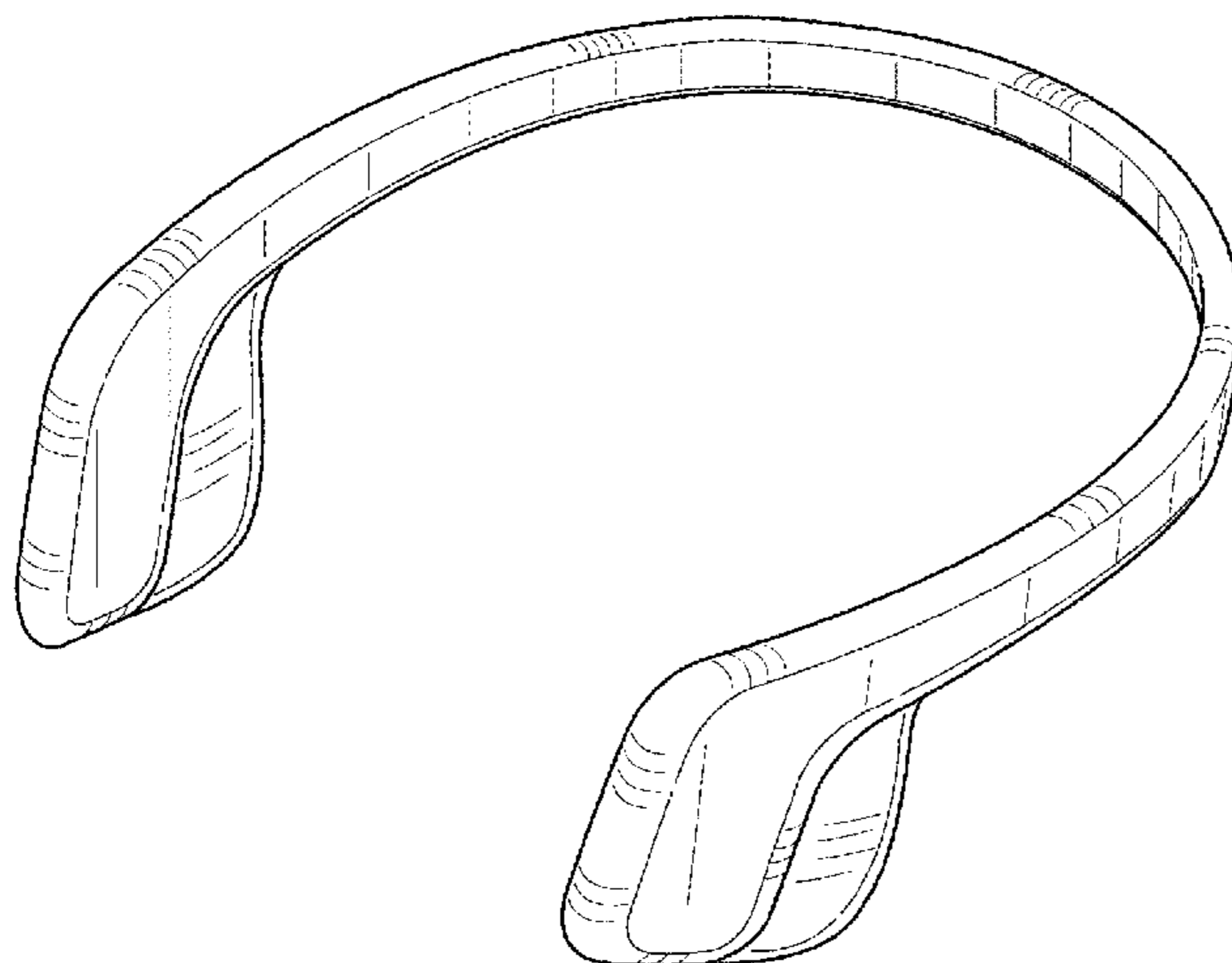
(57) **CLAIM**

The ornamental design for the brain sensing headband, as shown and described.

DESCRIPTION

FIG. 1 is a front perspective view of the brain sensing headband.
 FIG. 2 is a front plan view of the brain sensing headband.
 FIG. 3 is a right side plan view of the brain sensing headband.
 FIG. 4 is a back plan view of the brain sensing headband.
 FIG. 5 is a left side view of the brain sensing headband.
 FIG. 6 is a top plan view of the brain sensing headband; and,
 FIG. 7 is a bottom plan view of the brain sensing headband.
 The broken line shown in the drawings are for the purpose of illustrating portions of the brain sensing headband that form no part of the claim design.

1 Claim, 3 Drawing Sheets



(56)

References Cited

U.S. PATENT DOCUMENTS

D696,227 S	*	12/2013	Chee	D14/205
D717,765 S	*	11/2014	Rausch	D14/205
D718,272 S	*	11/2014	Clayton	D14/205
D721,673 S	*	1/2015	Park	D14/205

* cited by examiner

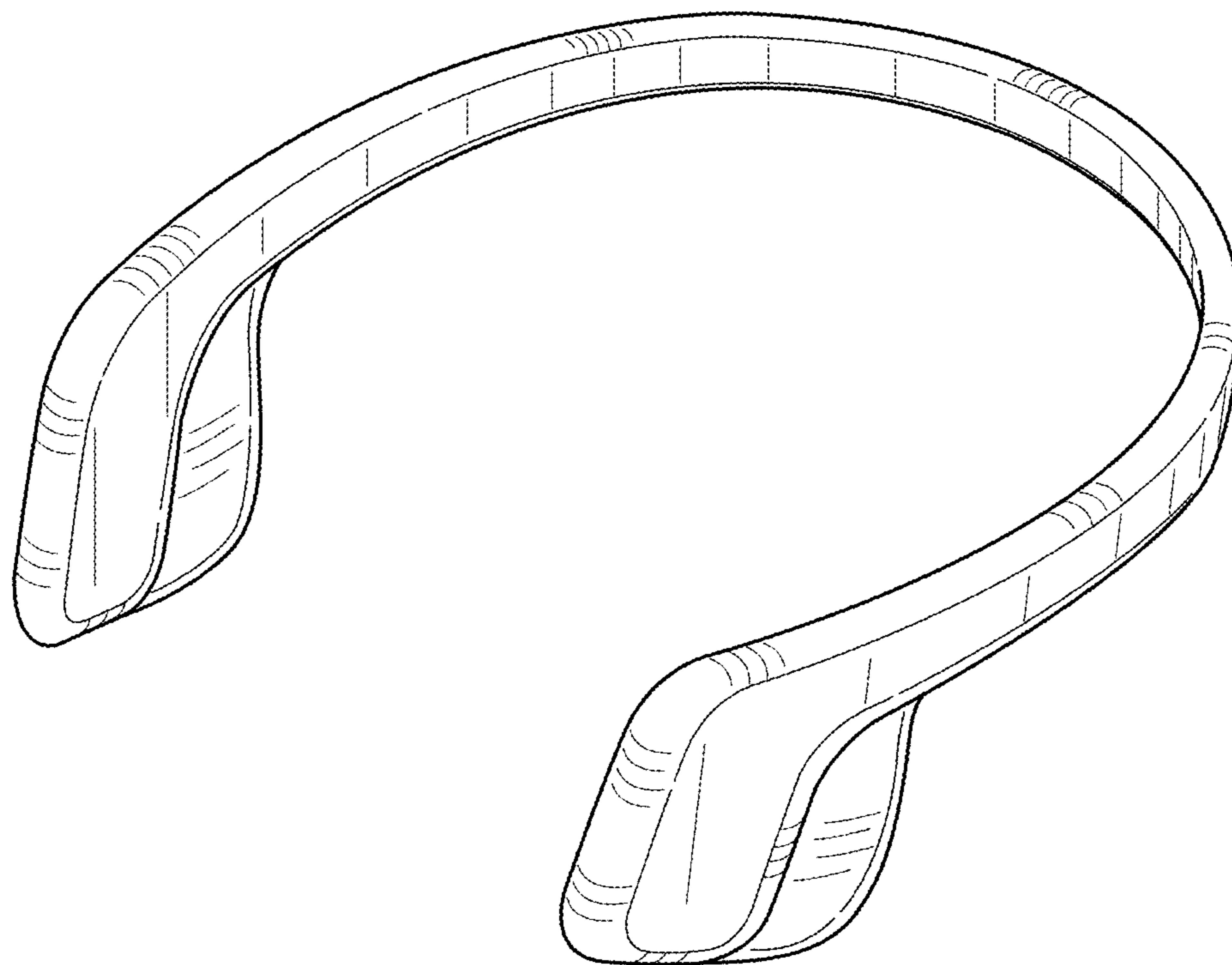


FIG. 1

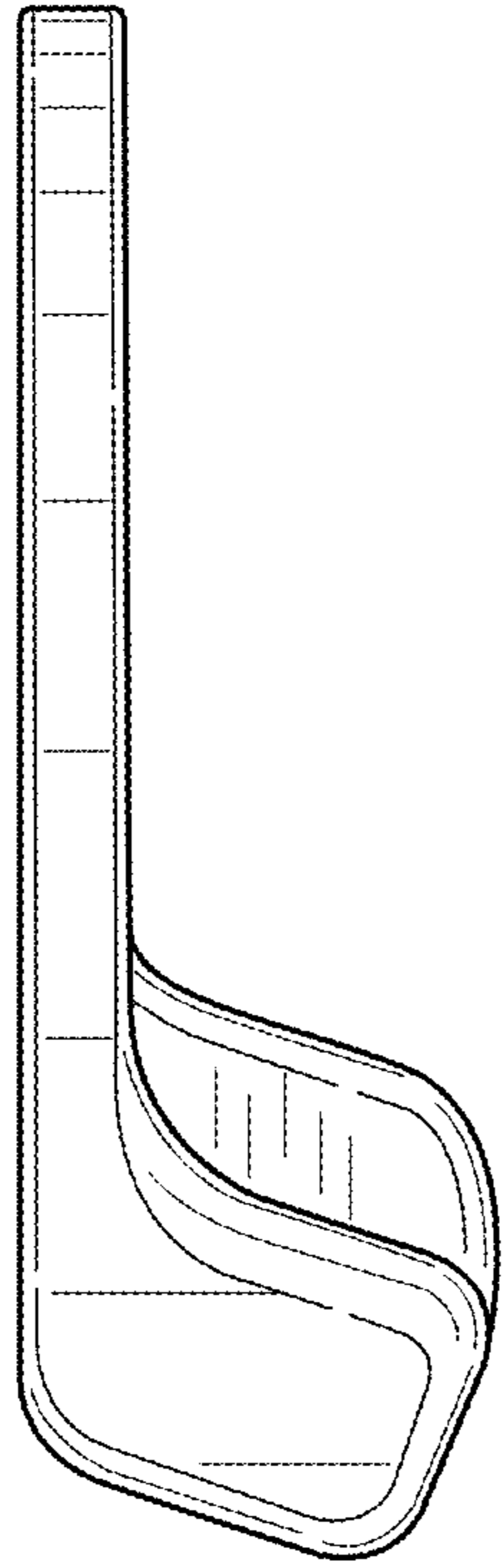


FIG. 3

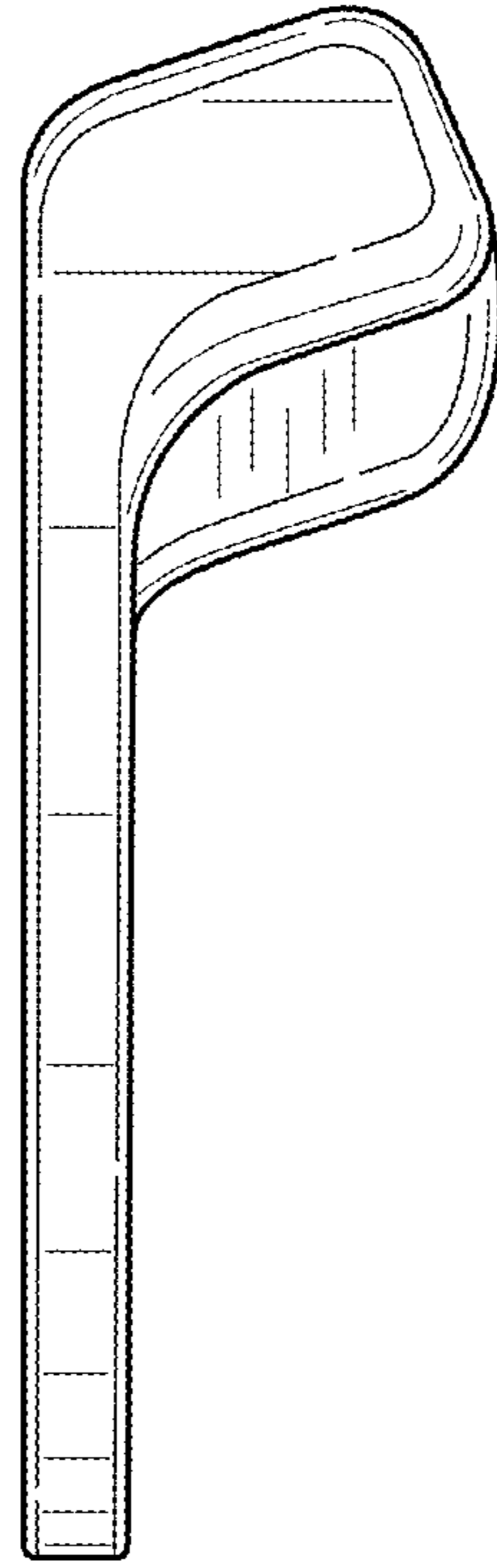


FIG. 5

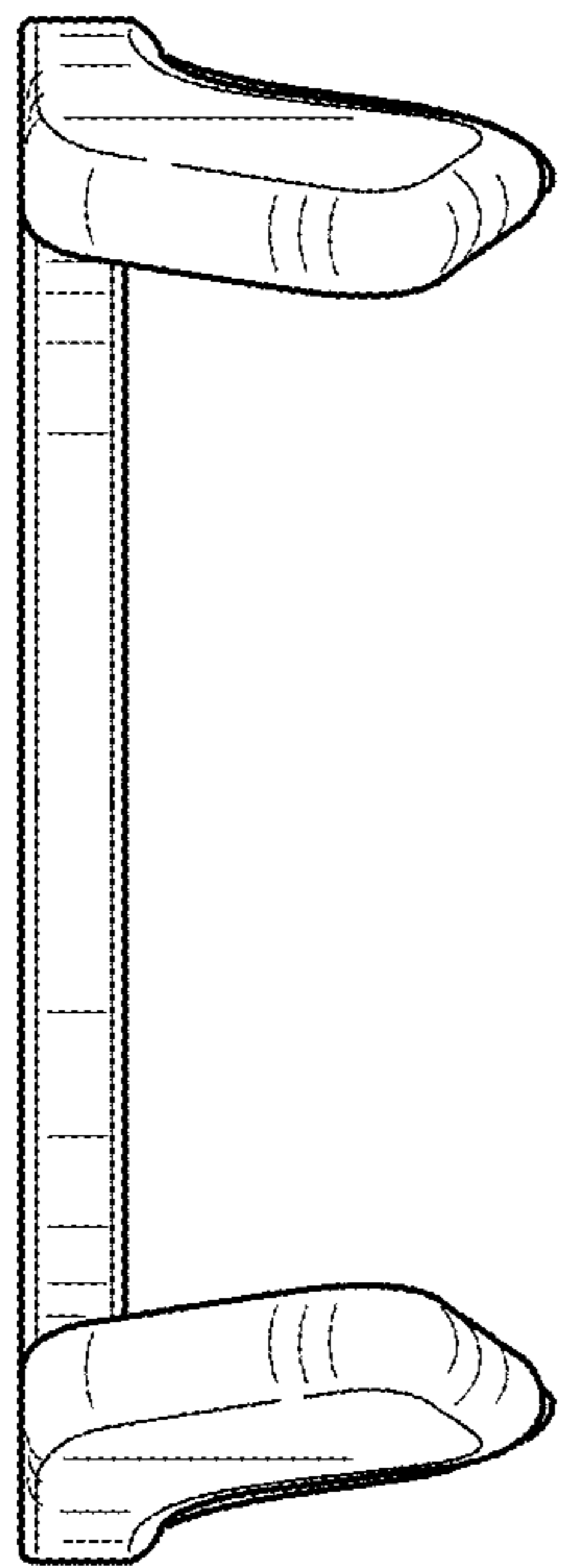


FIG. 2

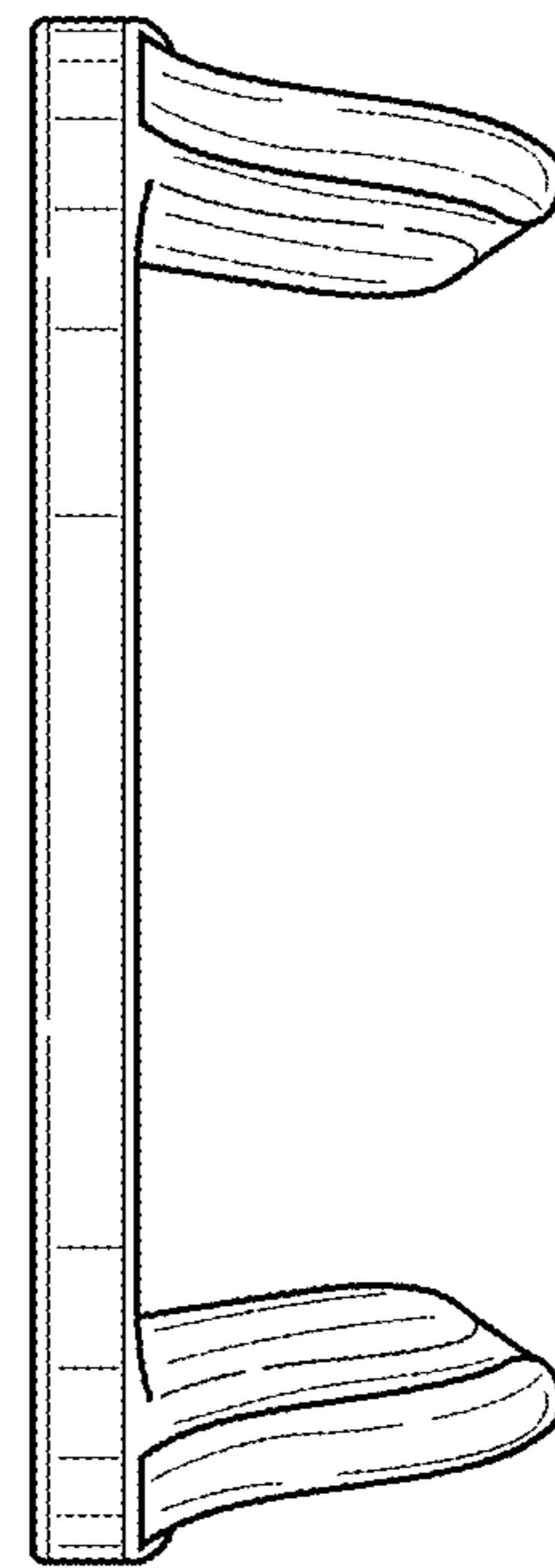


FIG. 4

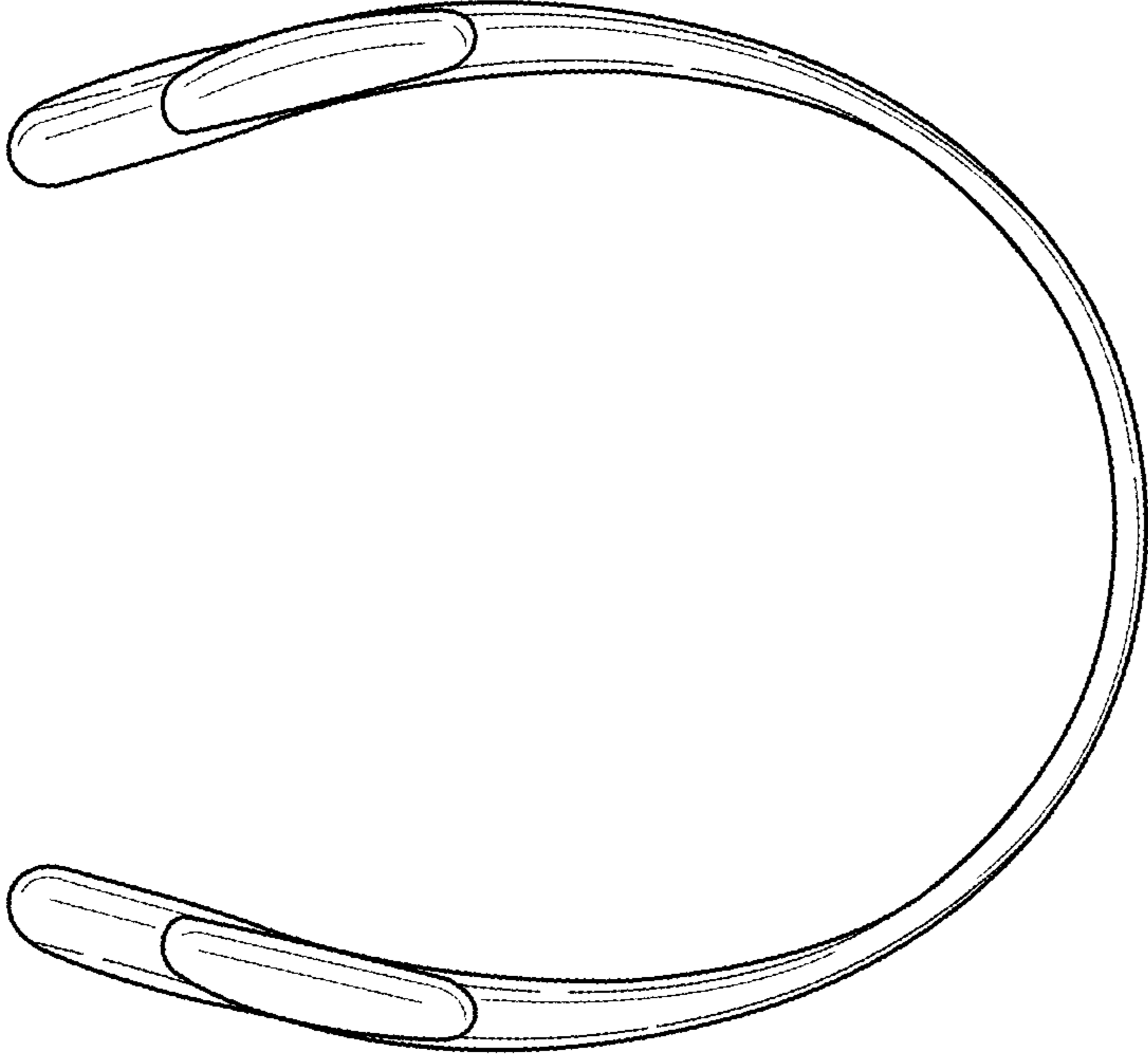


FIG. 6

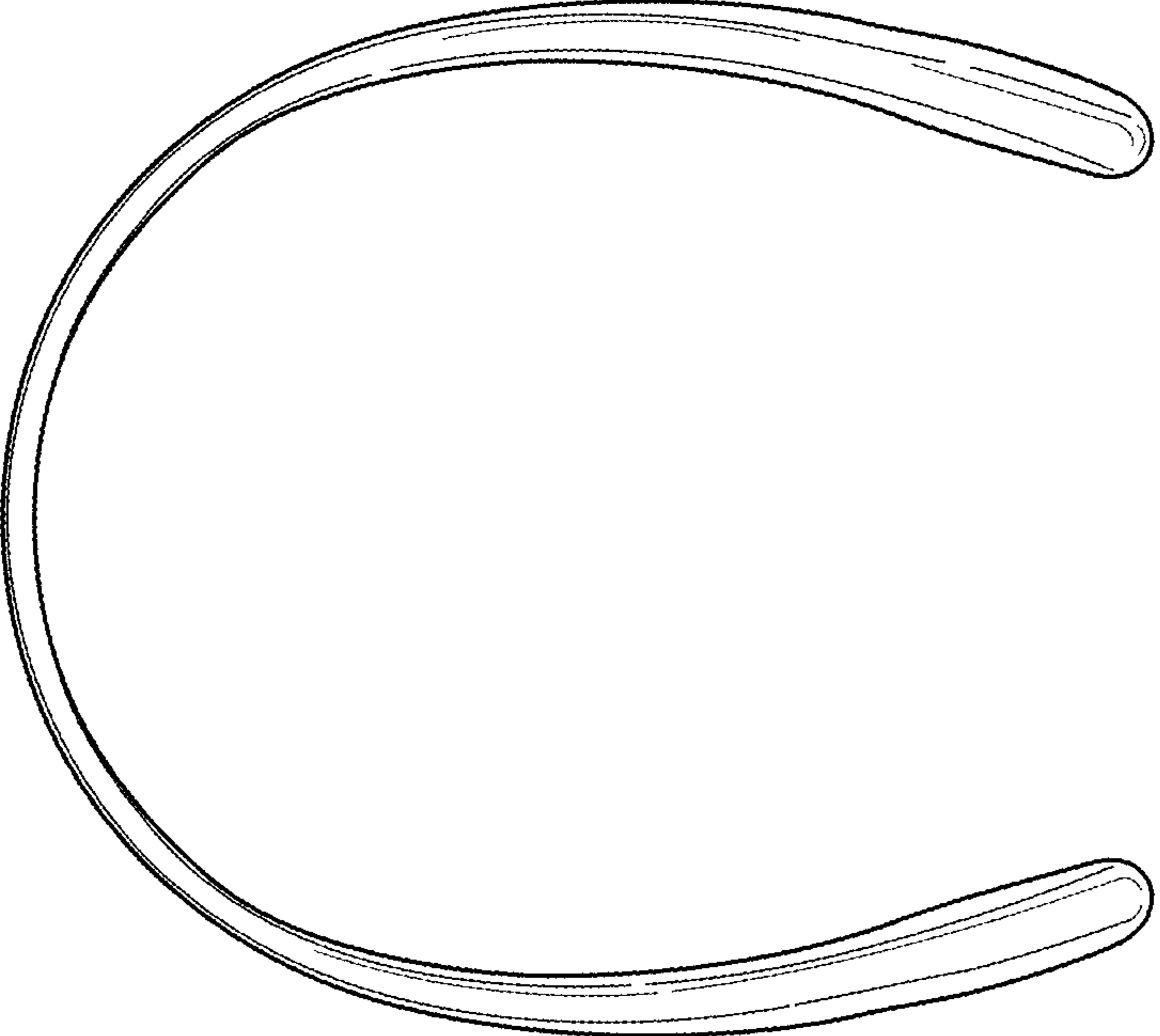


FIG. 7