



US00D794275S

(12) **United States Design Patent** (10) **Patent No.:** **US D794,275 S**  
**Stevens** (45) **Date of Patent:** **\*\* \*Aug. 15, 2017**

(54) **BELT**  
(71) Applicant: **Gerald A. Stevens**, Davenport, FL (US)  
(72) Inventor: **Gerald A. Stevens**, Davenport, FL (US)  
(\* ) Notice: This patent is subject to a terminal disclaimer.  
(\*\*) Term: **14 Years**  
(21) Appl. No.: **29/497,450**  
(22) Filed: **Jul. 24, 2014**  
(51) **LOC (10) Cl.** ..... **02-07**  
(52) **U.S. Cl.**  
USPC ..... **D2/627**  
(58) **Field of Classification Search**  
USPC ..... D2/627, 628, 629, 631, 636, 638;  
D3/215; D11/3, 216; D29/101.3, 101.5,  
D29/120.1  
CPC .. A41F 9/00; A41F 9/002; A41F 9/005; A41F  
9/007  
See application file for complete search history.

D351,119 S 10/1994 McMullin  
D356,744 S 3/1995 Bulgari  
D385,812 S \* 11/1997 Miller ..... D11/3  
D393,224 S \* 4/1998 Miller ..... D11/4  
D558,427 S \* 1/2008 Solin ..... D2/624  
D566,909 S \* 4/2008 Craig ..... D30/145  
D649,072 S 11/2011 Scott  
(Continued)

**OTHER PUBLICATIONS**

<http://www.thewilliambrownproject.com/2011/02/philafindsmilitary-watches.html>.  
<http://www.popscreen.com/p/MTYwNDcwNzc2/Vintage-Indian-Sterling-Silver-Watch-Band-Pieces>.  
<http://www.thisnext.com/item/50657906/Wings-of-Time-Stampunk-Cuff>.

*Primary Examiner* — Eric Goodman  
*Assistant Examiner* — Clare Ann Gannon  
(74) *Attorney, Agent, or Firm* — H. John Rizvi; Gold & Rizvi, P.A.

(57) **CLAIM**

I claim the ornamental design for an belt, as shown and described.

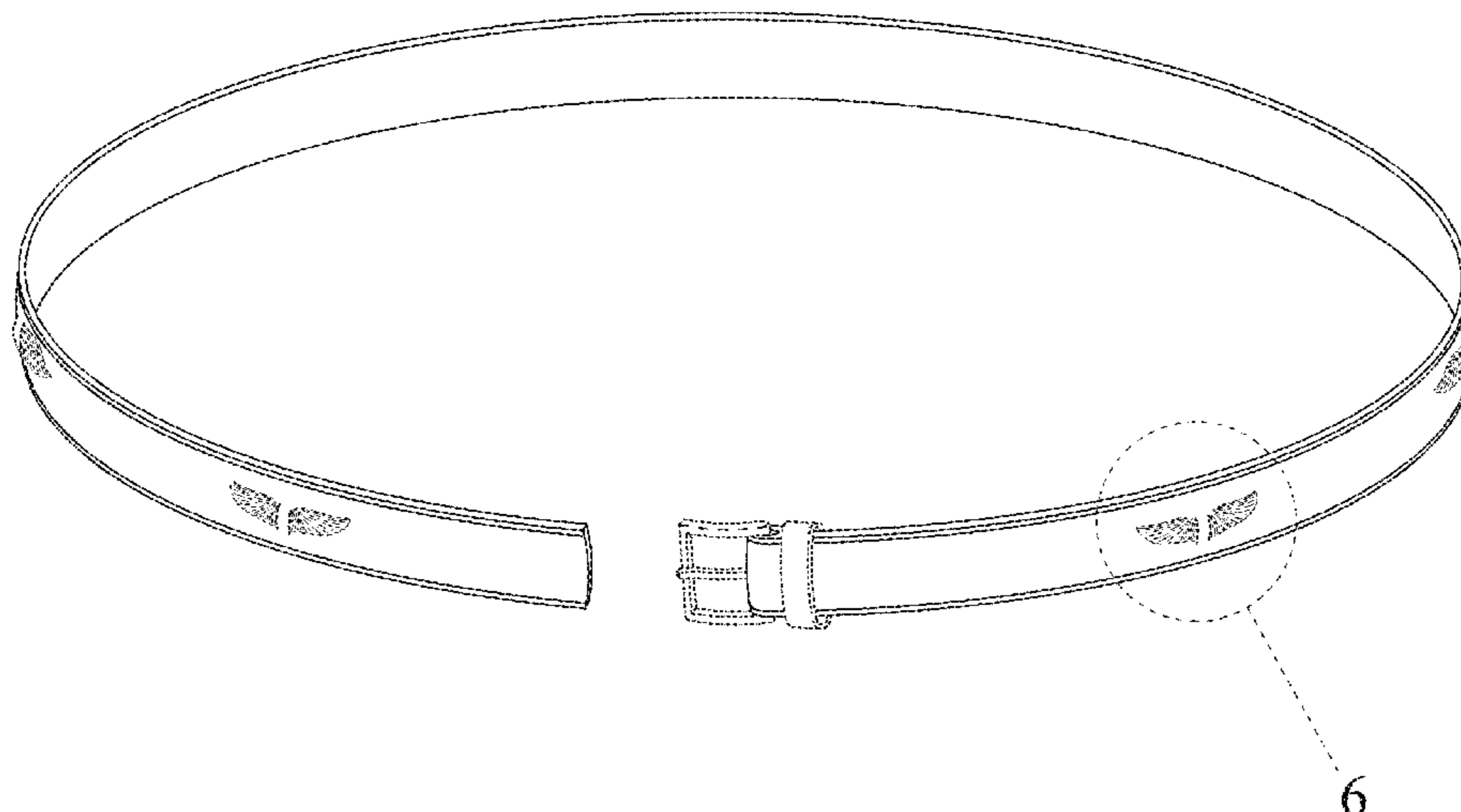
**DESCRIPTION**

FIG. 1 is a front isometric view of my new design;  
FIG. 2 is a top plan view thereof;  
FIG. 3 is a front elevation view thereof;  
FIG. 4 is a right side elevation view thereof;  
FIG. 5 is a rear elevation view thereof;  
FIG. 6 is an enlarged isometric view thereof of the area encircled 6 in FIG. 1; and,  
FIG. 7 is an enlarged front view thereof of the area encircled 7 in FIG. 5.  
A design bottom plan view has been omitted, as it is a mirror image of the top plan view of FIG. 2.  
The portions of the belt depicted in the figures in broken lines form no part of the claimed design.

**1 Claim, 6 Drawing Sheets**

(56) **References Cited**  
U.S. PATENT DOCUMENTS

D30,865 S \* 5/1899 Dunbar ..... D2/636  
2,165,115 A 7/1939 Schultheiss  
D133,421 S \* 8/1942 Terryberry ..... D11/107  
D139,143 S 10/1944 Kramer  
2,400,844 A \* 5/1946 Segal ..... A44B 11/008  
2/339  
2,410,759 A \* 11/1946 Saller ..... A41F 9/002  
2/338  
D153,868 S \* 5/1949 Fishburne ..... D11/26  
D167,553 S \* 8/1952 Behr ..... 132/275  
2,691,172 A \* 10/1954 Breslow ..... A41F 9/002  
2/312  
2,796,747 A 6/1957 Ebert  
3,019,503 A 2/1962 Placco et al.  
D231,504 S \* 4/1974 Ballou ..... D2/638  
D246,617 S \* 12/1977 Tomlin, Jr. .... D11/137  
5,168,480 A 12/1992 Dodier



(56)

**References Cited**

U.S. PATENT DOCUMENTS

D721,466 S \* 1/2015 Boyles ..... D2/627  
D733,606 S \* 7/2015 Stevens ..... D11/14  
2013/0139300 A1\* 6/2013 Laiken ..... A41F 9/002  
2/321

\* cited by examiner

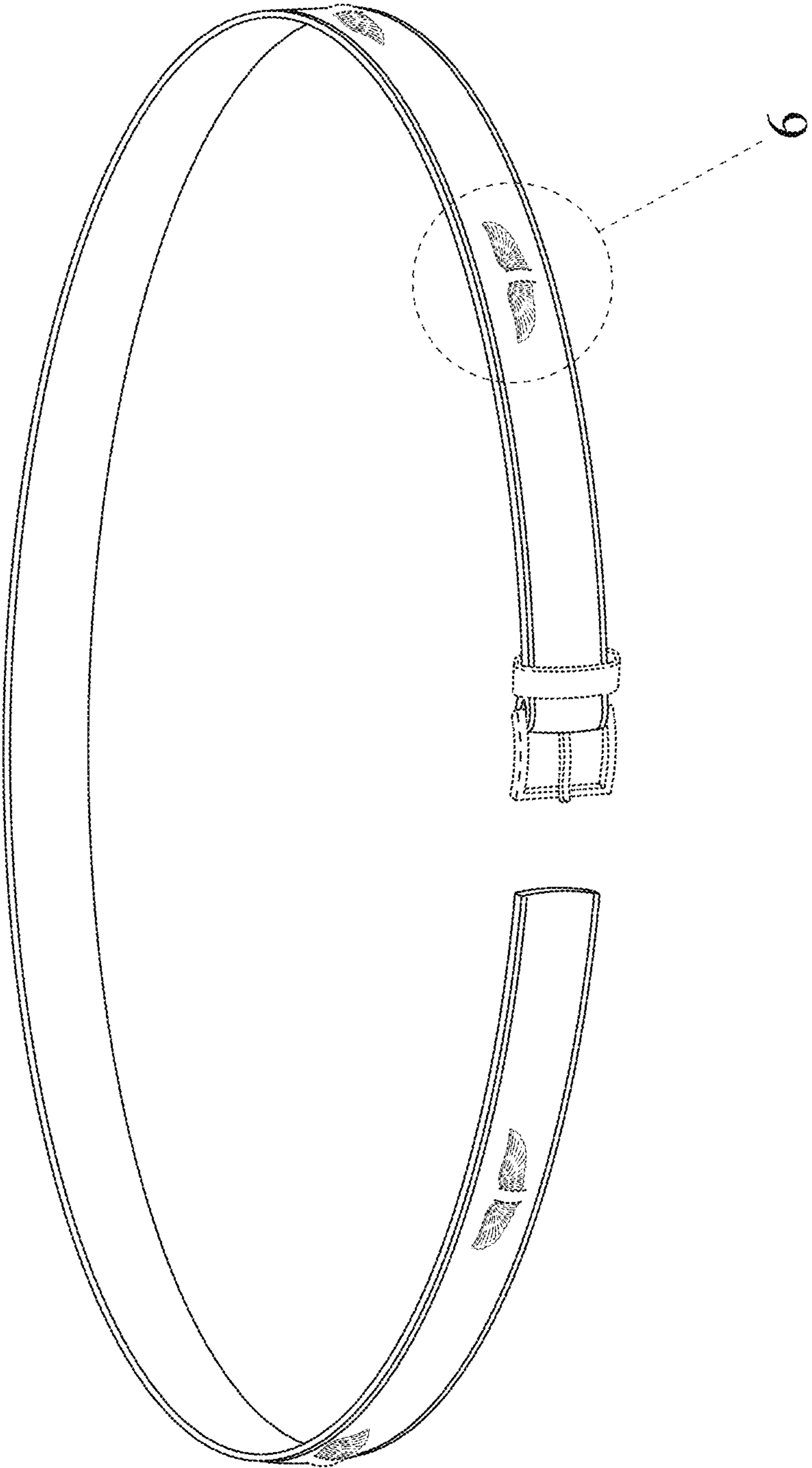


FIG.1

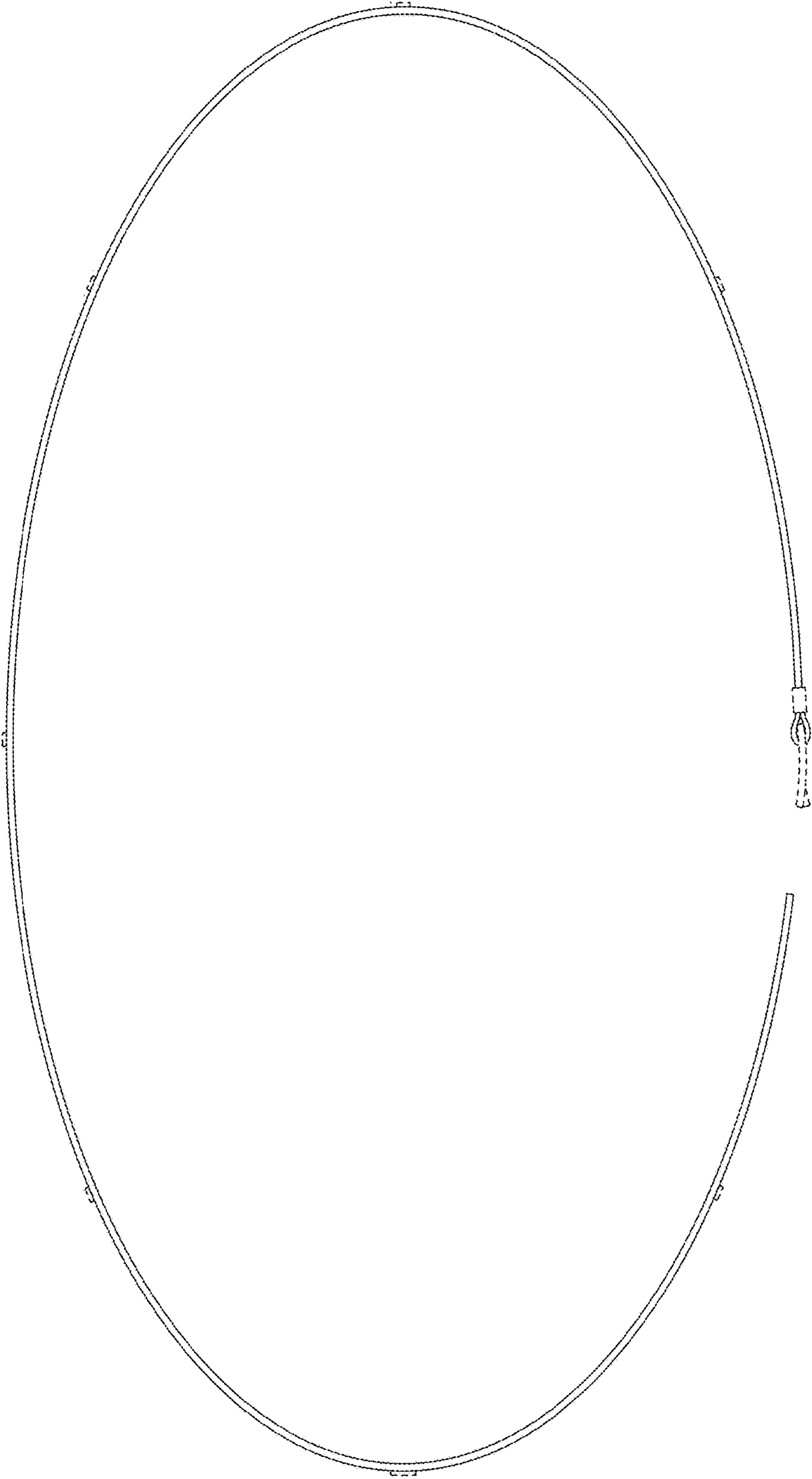


FIG.2

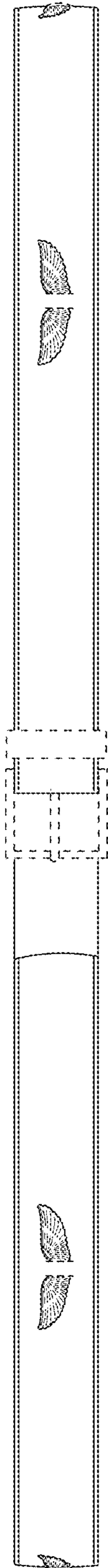


FIG. 3



FIG. 4

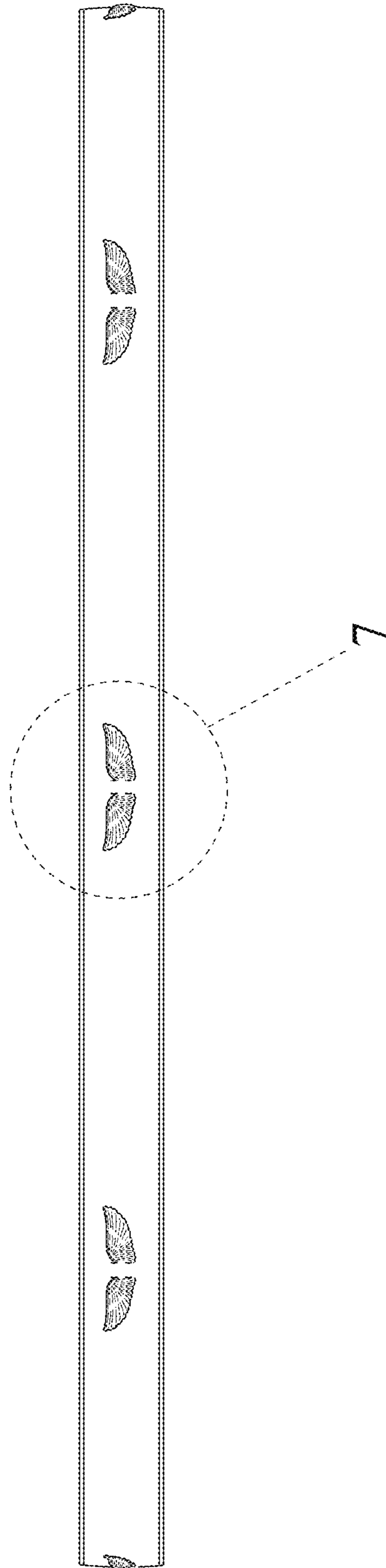


FIG. 5

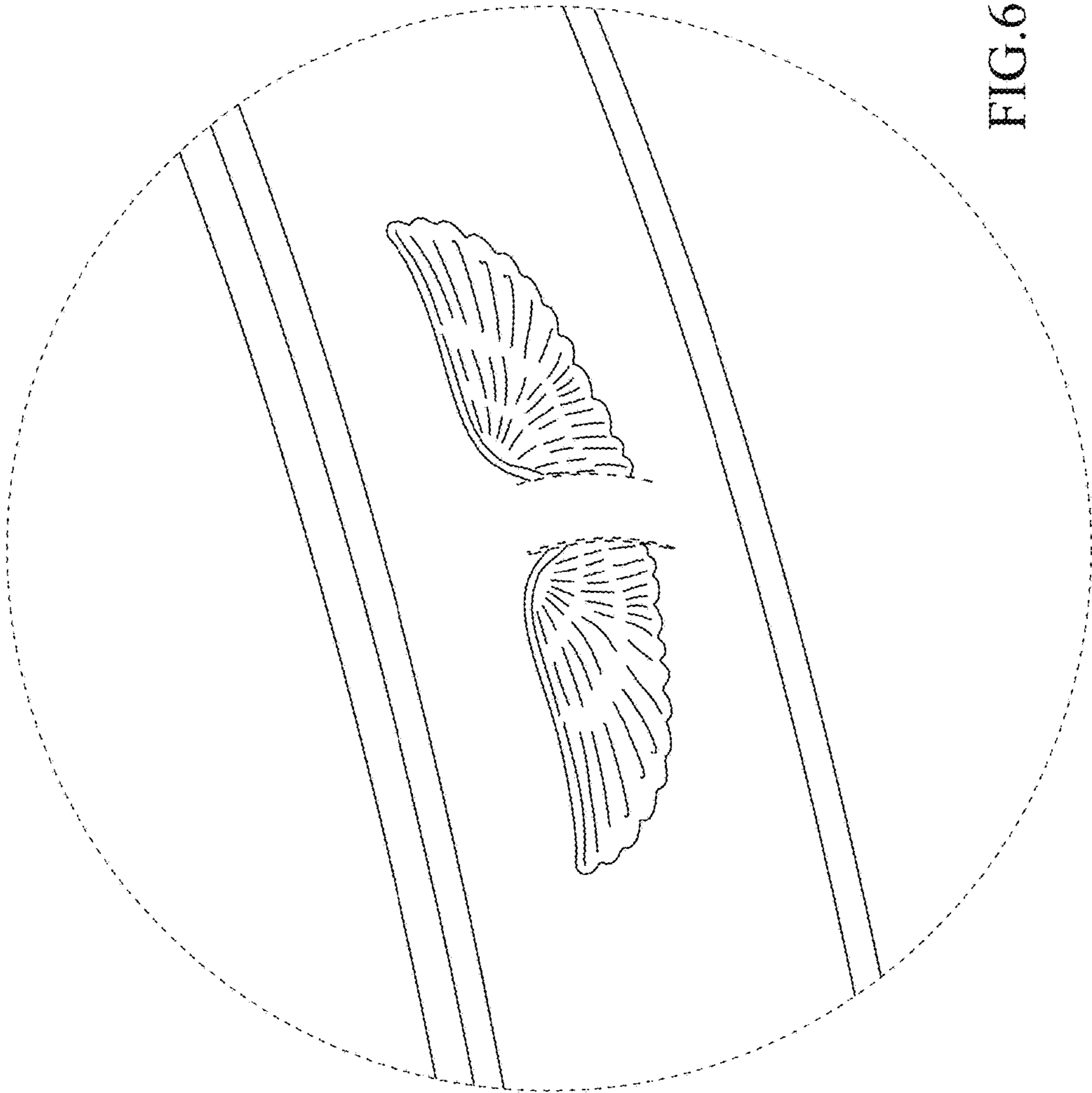


FIG. 6

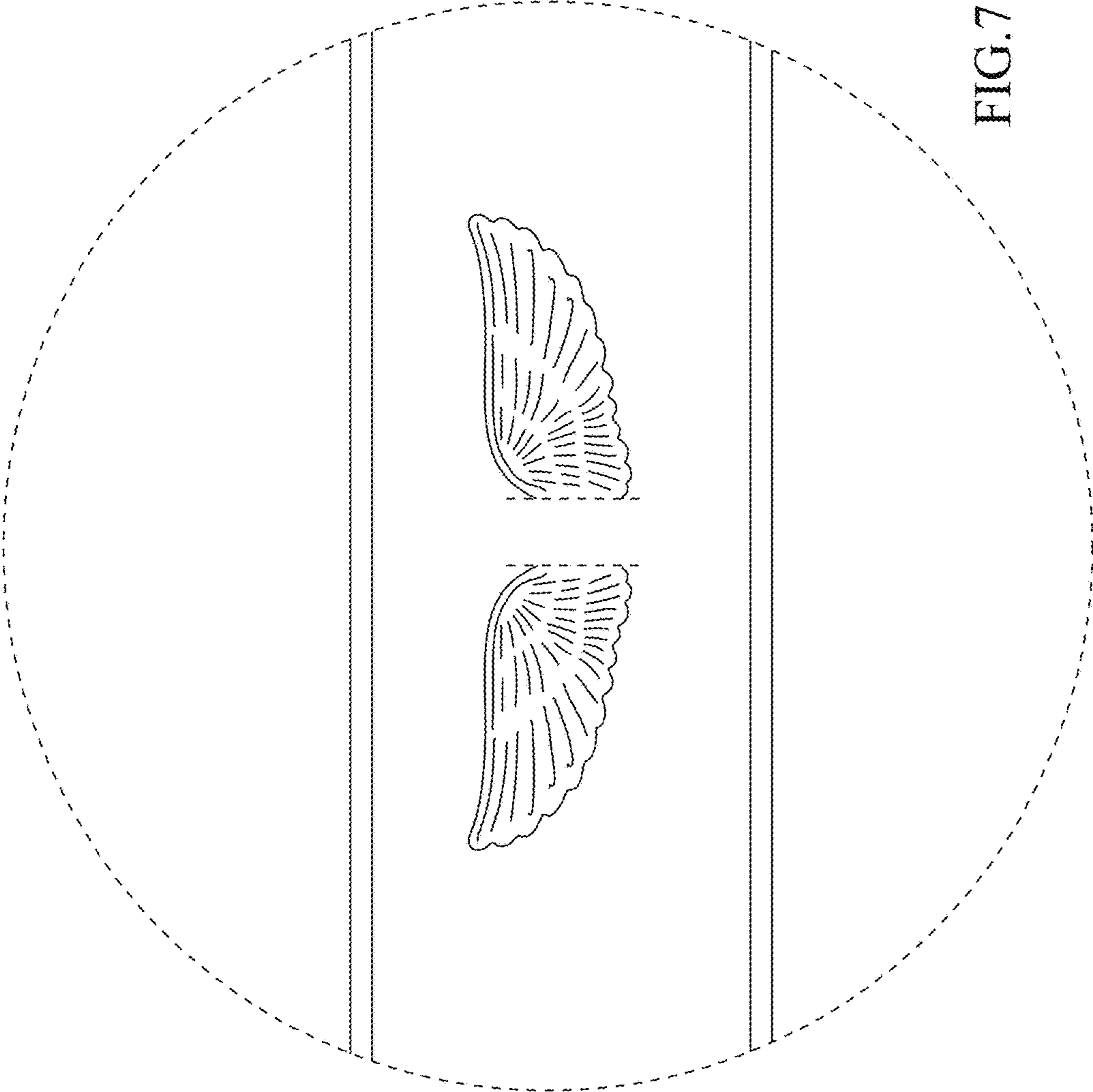


FIG. 7