



US00D794273S

(12) **United States Design Patent**  
**Abel et al.**

(10) **Patent No.:** **US D794,273 S**

(45) **Date of Patent:** **\*\* Aug. 8, 2017**

(54) **BALLOT BOX STORAGE AND TRANSPORT CART**

(71) Applicants: **Gary V. Abel**, Ellicott City, MD (US);  
**Joseph Wilson**, Spencer, MD (US)

(72) Inventors: **Gary V. Abel**, Ellicott City, MD (US);  
**Joseph Wilson**, Spencer, MD (US)

(\*\*) Term: **15 Years**

(21) Appl. No.: **29/566,498**

(22) Filed: **May 31, 2016**

(51) **LOC (10) Cl.** ..... **12-02**

(52) **U.S. Cl.**  
USPC ..... **D34/12**

(58) **Field of Classification Search**  
USPC ..... D34/12-27; 280/33.998, 47.26  
CPC .. B62B 5/06; B62B 5/067; B62B 1/18; B62B  
1/006; B62B 1/125  
See application file for complete search history.

(56) **References Cited**

**U.S. PATENT DOCUMENTS**

D170,137 S \* 8/1953 Rogers ..... D34/21  
3,762,738 A \* 10/1973 Christina ..... B62B 1/18  
248/907

D326,174 S \* 5/1992 McDonald ..... D34/17  
D422,392 S \* 4/2000 Weinstein ..... D34/12  
D445,229 S \* 7/2001 Stravitz ..... D34/12  
D608,969 S \* 1/2010 Wise ..... D34/12  
9,615,654 B2 \* 4/2017 Grace ..... A47B 3/087

\* cited by examiner

*Primary Examiner* — Cynthia Ramirez

(74) *Attorney, Agent, or Firm* — Baker, Donelson,  
Bearman, Caldwell & Berkowitz, PC; Royal W. Craig

(57) **CLAIM**

The ornamental design for a ballot box storage and transport cart, as shown and described.

**DESCRIPTION**

FIG. 1 is a perspective view of a ballot box storage and transport cart showing our new design;  
FIG. 2 is a front view thereof;  
FIG. 3 is a rear view thereof;  
FIG. 4 is a left side view thereof;  
FIG. 5 is a right side view thereof;  
FIG. 6 is a top view thereof;  
FIG. 7 is a bottom view thereof; and,  
FIG. 8 is a front view thereof, shown with the shelves folded. The broken line showing of voting equipment and mounting brackets is included for the purpose of illustrating environment and forms no part of the claimed design.

**1 Claim, 8 Drawing Sheets**



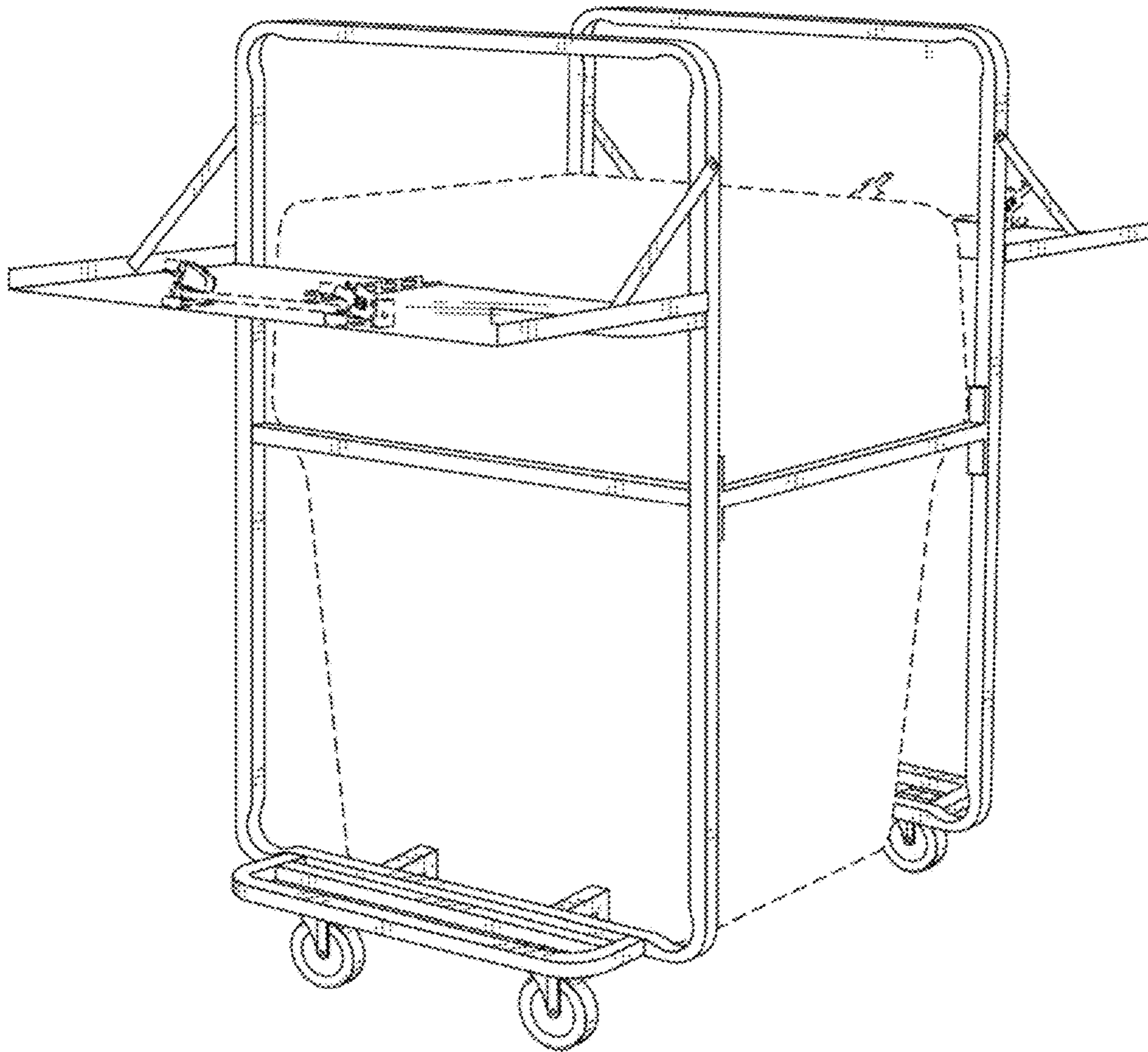


Fig. 1

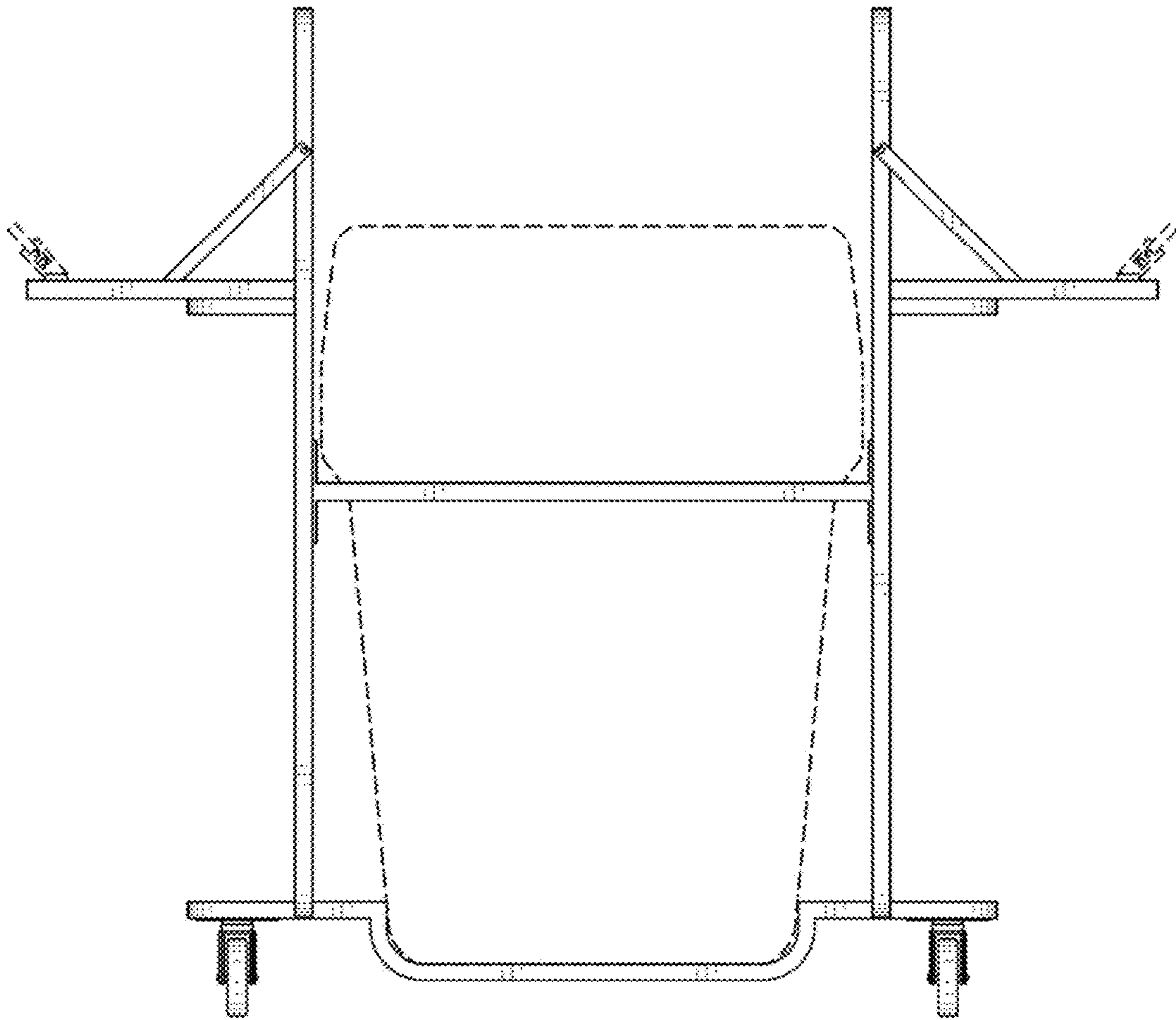


Fig. 2

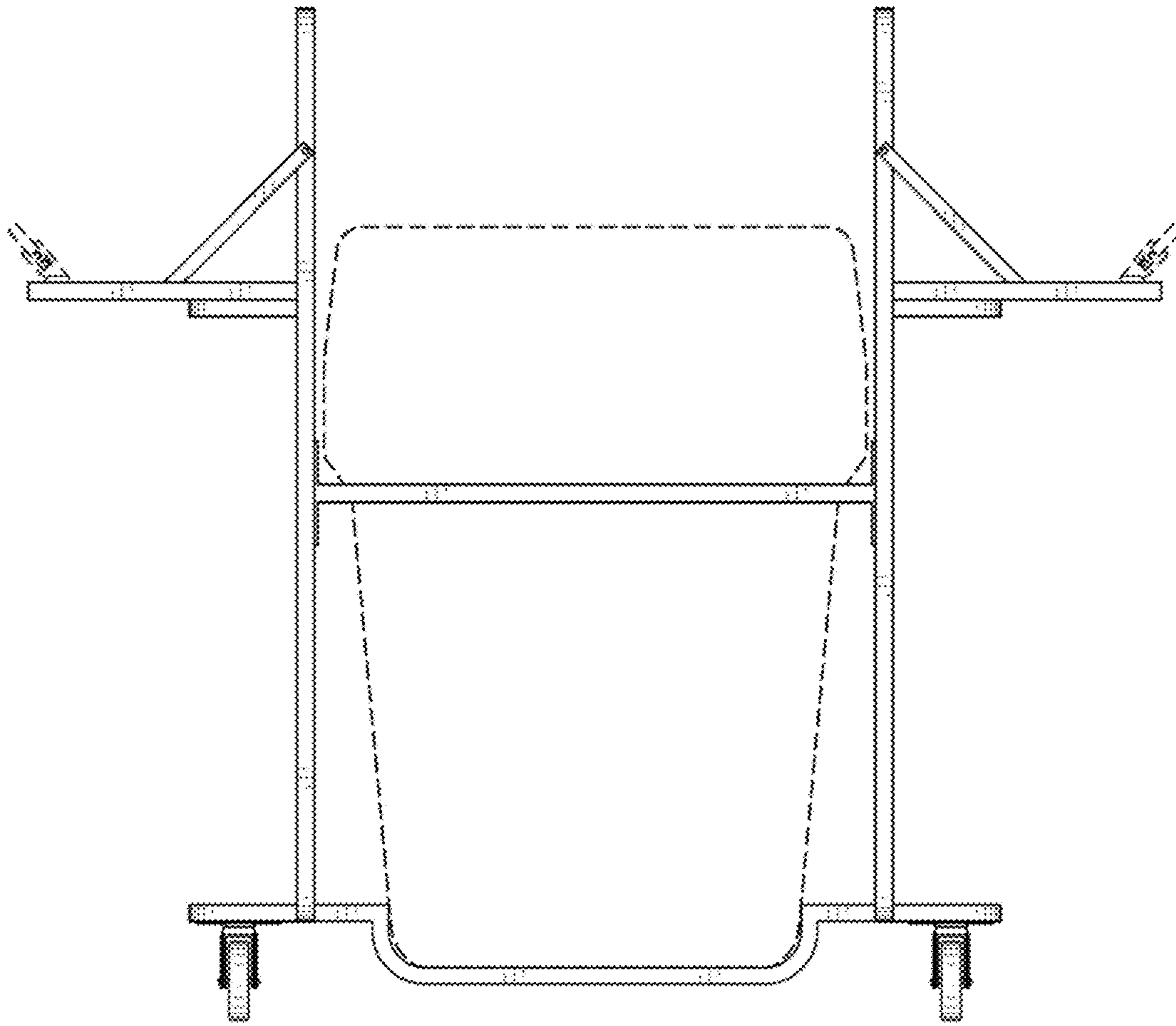


Fig. 3

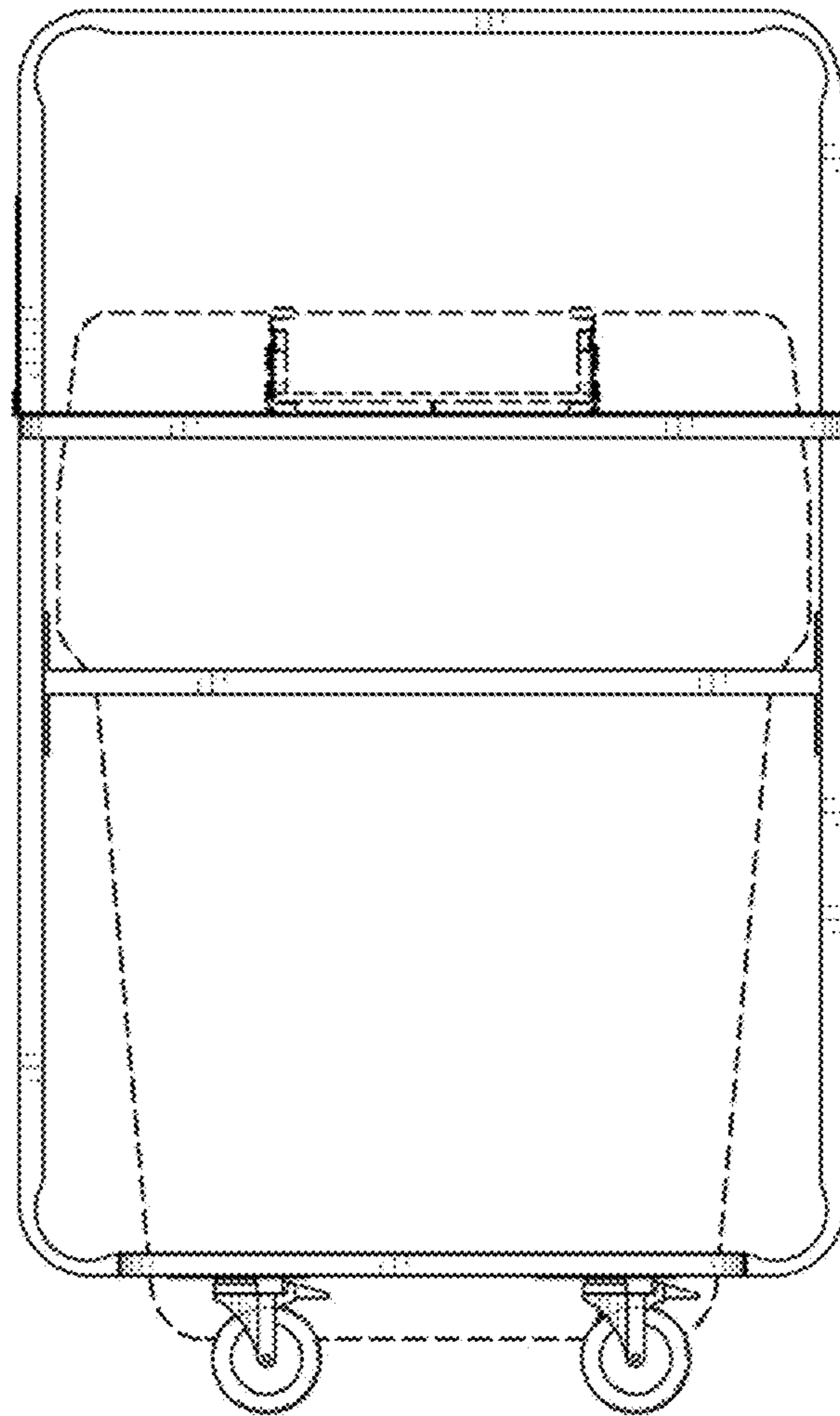


Fig. 4

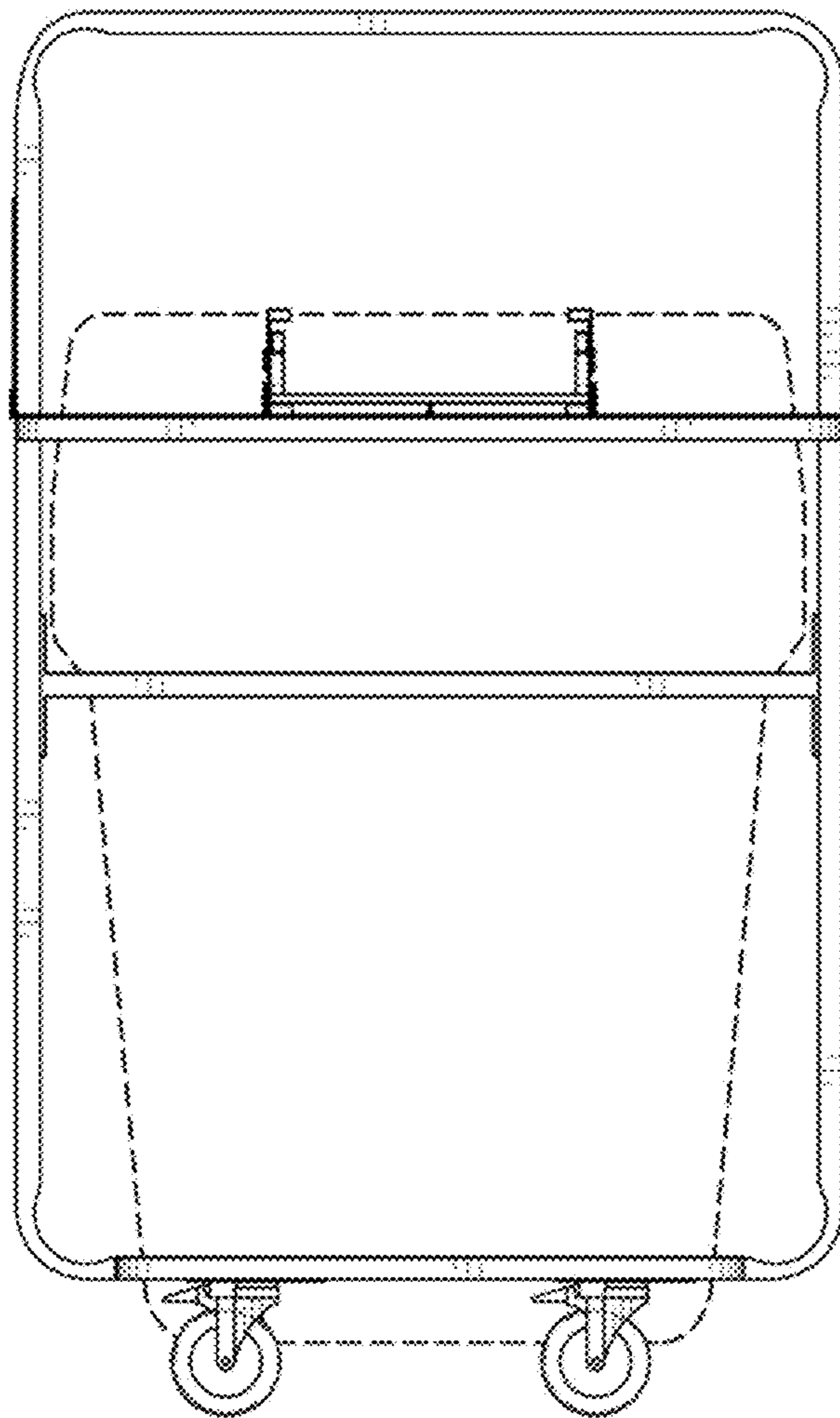


Fig. 5

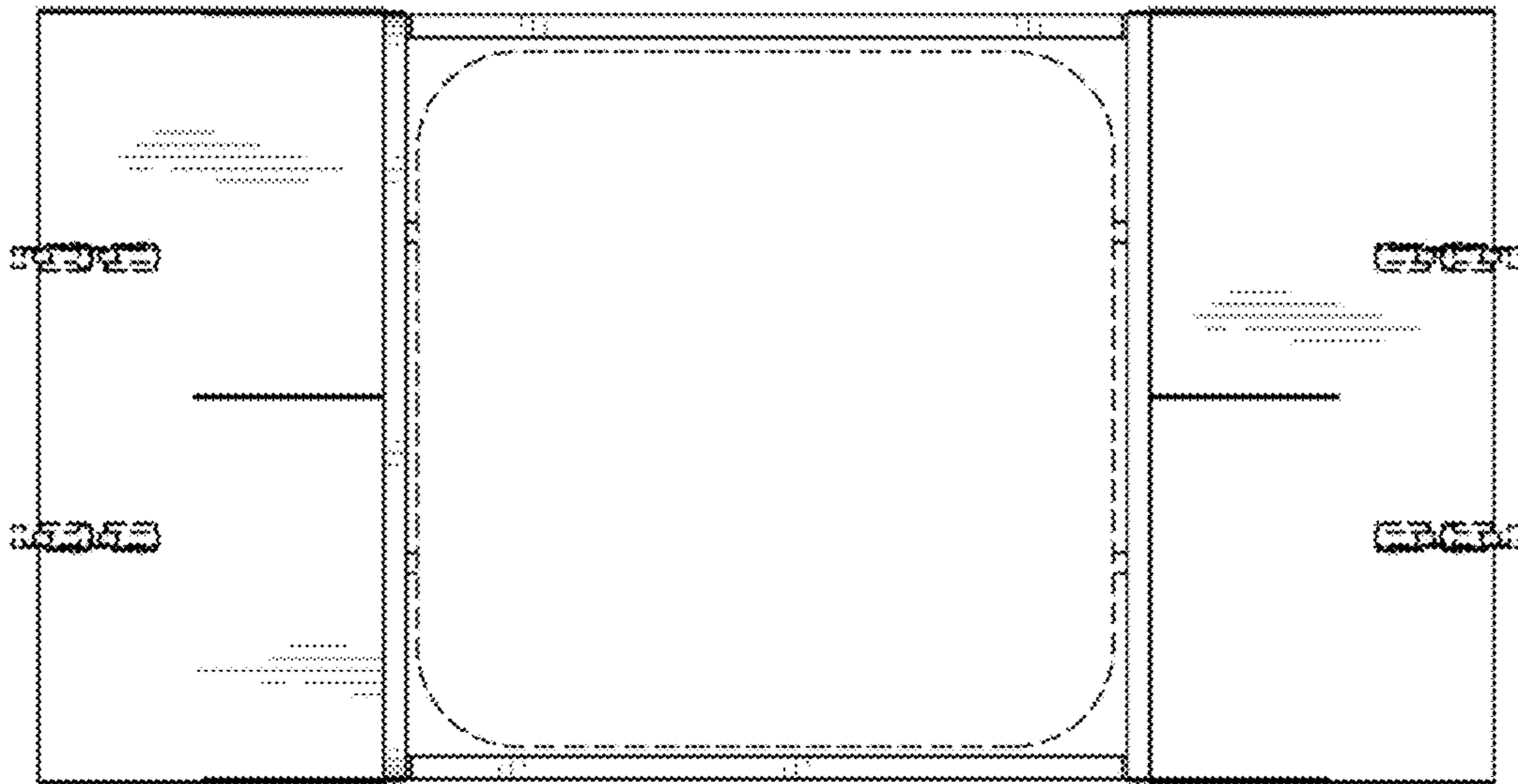


Fig. 6

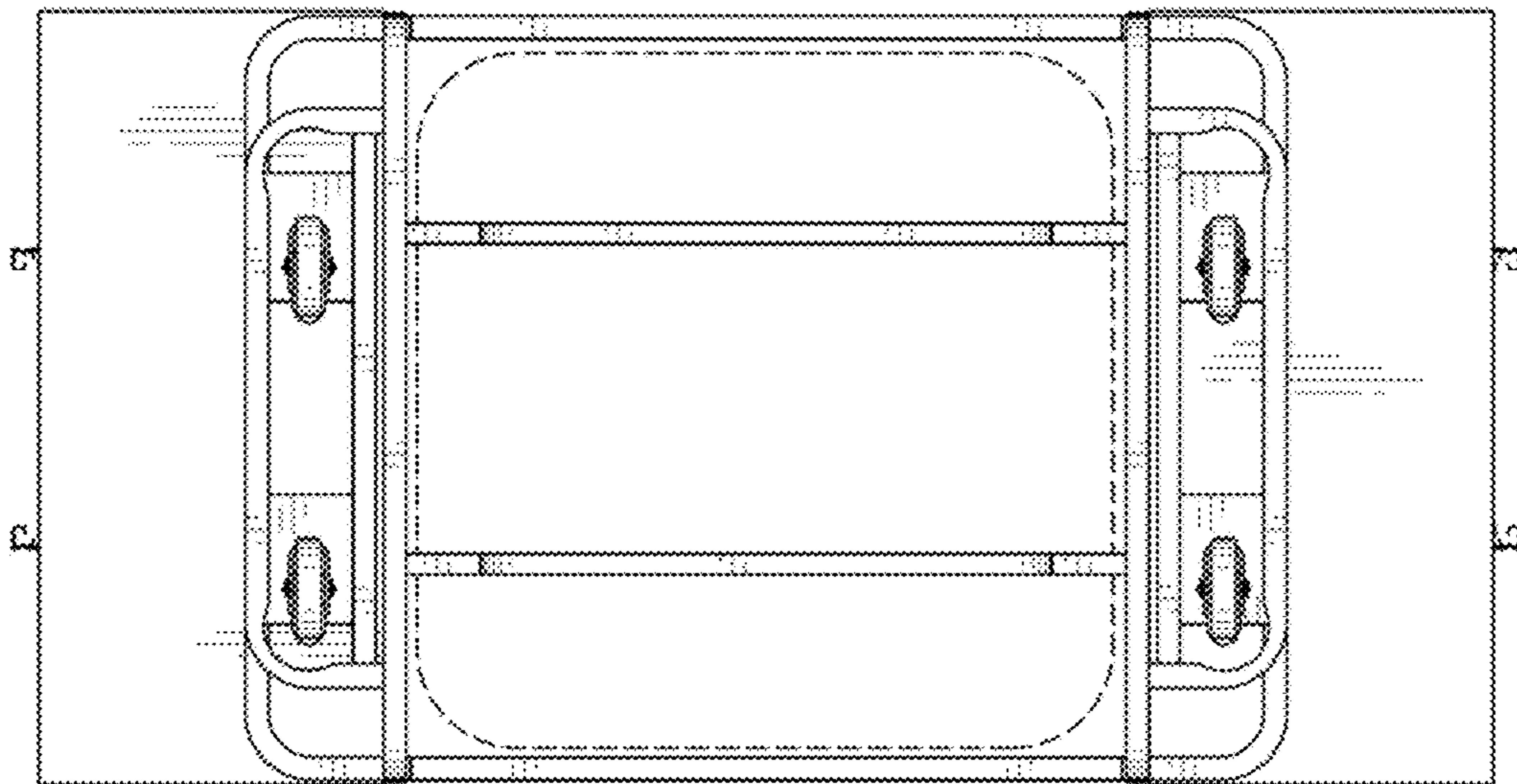


Fig. 7



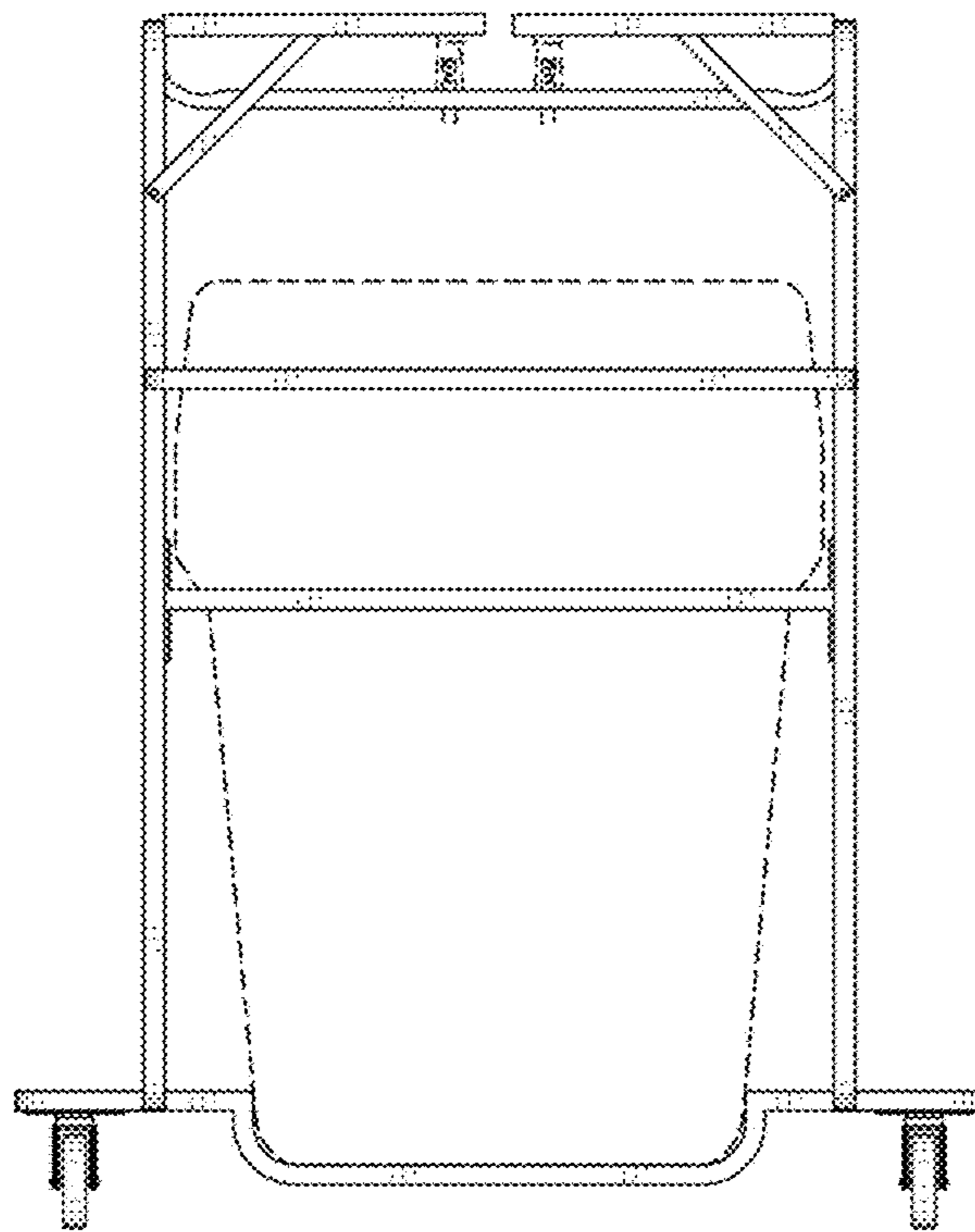


Fig. 8