



US00D794271S

(12) **United States Design Patent**
Allenback

(10) **Patent No.:** **US D794,271 S**

(45) **Date of Patent:** **** Aug. 8, 2017**

(54) **SPONGE CASE**

(71) Applicant: **Paris Presents Incorporated**, Gurnee, IL (US)

(72) Inventor: **Taylor Allenback**, Waukegan, IL (US)

(73) Assignee: **Paris Presents Incorporated**, Gurnee, IL (US)

(**) Term: **15 Years**

(21) Appl. No.: **29/563,505**

(22) Filed: **May 5, 2016**

(51) **LOC (10) Cl.** **04-01**

(52) **U.S. Cl.**
USPC **D32/40**

(58) **Field of Classification Search**
USPC D32/40-49; 16/110.1-429; D8/300-301, D8/303, 305-307, 70, 62; D4/120, 114; D9/519, 545, 516, 420, 424; D6/553, D6/532, 524-525, 539; D3/315
CPC .. A47B 95/02; A47K 7/02; A63H 3/00; A47L 13/16

See application file for complete search history.

(56) **References Cited**

U.S. PATENT DOCUMENTS

D198,430 S *	6/1964	Basnals	D27/125
4,573,579 A *	3/1986	Murdick	A47G 19/30
				206/525
D298,105 S *	10/1988	Lamantia, Jr.	D9/414
D322,031 S *	12/1991	Fleming	D3/294
D379,698 S *	6/1997	Freudenberg	D32/40
D469,690 S *	2/2003	Pau	D9/424
D481,894 S *	11/2003	Hunt	D6/525
D483,586 S *	12/2003	Snell	D6/525
D483,587 S *	12/2003	Snell	D6/525
D528,299 S *	9/2006	Kim	D3/265
D533,067 S *	12/2006	Snyder	D9/522
D549,573 S *	8/2007	Liebe	D9/420
D575,590 S *	8/2008	Ablo	D7/586
D611,304 S *	3/2010	DeLeo	D7/538

D636,201 S *	4/2011	Kolano	D6/553
D647,701 S *	11/2011	Fort	D3/315
D659,330 S *	5/2012	Davis	D32/40

(Continued)

FOREIGN PATENT DOCUMENTS

GB	3003474	*	8/2002
JP	D1375919	*	12/2009
JP	D1471422	*	6/2013

OTHER PUBLICATIONS

2017 Fashion Eyewear Accessories Sunglasses Cases, site visited Mar. 15, 2017, http://www.dhgate.com/product/fashion-eyewear-accessories-sunglasses-cases/388152929.html#sc1-0-1b;frshl0184366107.*

(Continued)

Primary Examiner — John Windmuller
Assistant Examiner — John R Yeh
(74) *Attorney, Agent, or Firm* — The Ollia Law Group LLC

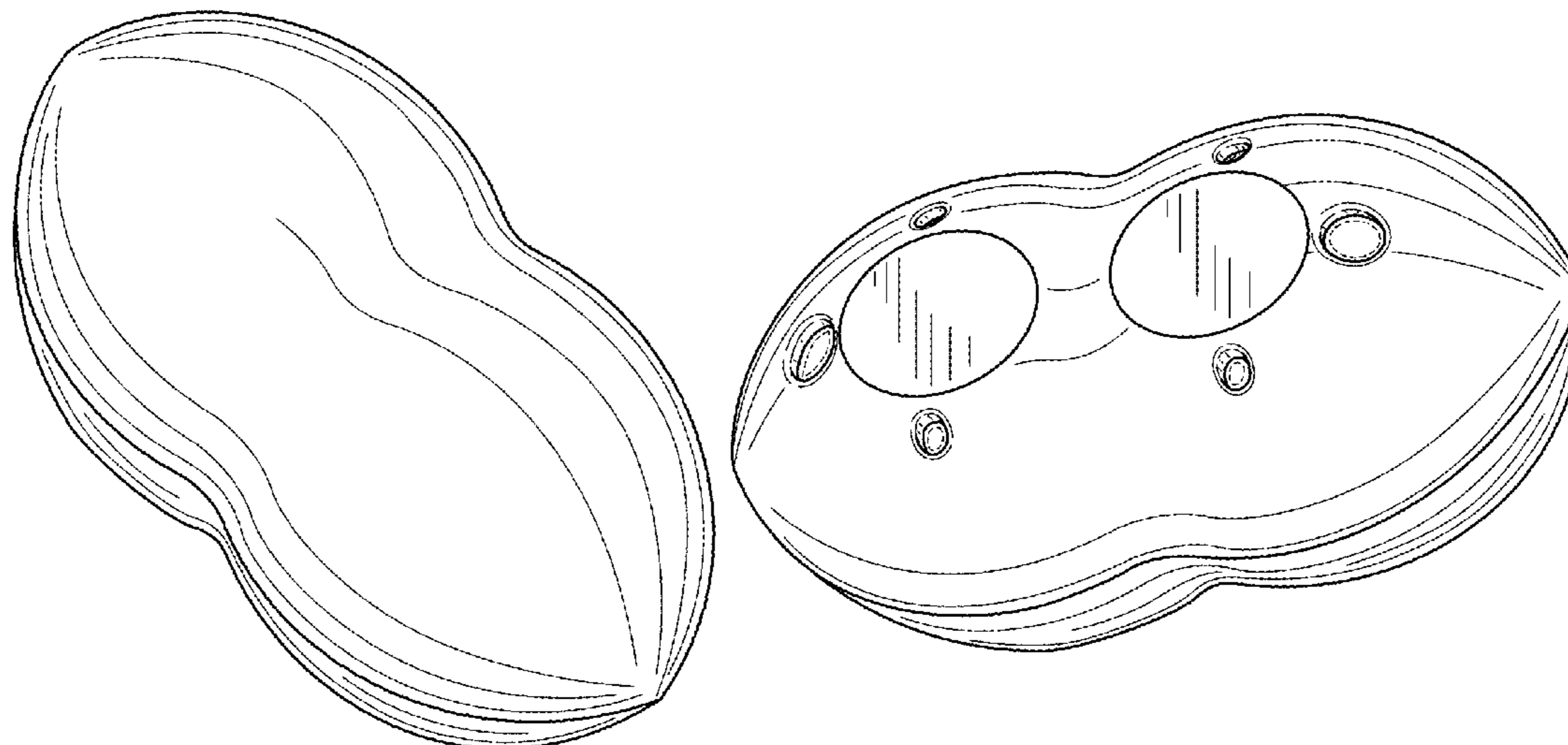
(57) **CLAIM**

The ornamental design for a sponge case, substantially as shown and described.

DESCRIPTION

FIG. 1 is a top perspective view of a sponge case showing our new design;
FIG. 2 is a bottom perspective view thereof;
FIG. 3 is a front elevation view thereof;
FIG. 4 is a rear elevation view thereof;
FIG. 5 is a right side elevation view thereof;
FIG. 6 is a left side elevation view thereof;
FIG. 7 is a top plan view thereof; and,
FIG. 8 is a bottom plan view thereof.
The broken lines in the figures represent portions of the sponge case that form no part of the claimed design.

1 Claim, 4 Drawing Sheets



(56)

References Cited

U.S. PATENT DOCUMENTS

D666,358 S * 8/2012 Albers D28/7
D674,181 S * 1/2013 Faulkner D24/231
D680,264 S * 4/2013 Manalo D28/7
D684,406 S * 6/2013 Cockrell D6/525
D730,588 S * 5/2015 Risser D30/121
D764,829 S * 8/2016 Citterio D6/532
2005/0199622 A1 * 9/2005 Radow A47G 19/22
220/4.27
2006/0269682 A1 * 11/2006 Nahorshi-Chalupny A45D 34/04
427/429
2012/0175325 A1 * 7/2012 Del Grippo A47J 43/24
211/59.4
2016/0296082 A1 * 10/2016 Hicks A47K 7/03

OTHER PUBLICATIONS

Amazon.com: Paris Presents Translucent Soap Dish, website 2017,
https://www.amazon.com/Paris-Presents-Translucent-Soap-6-Pack/dp/B004RHWYK6/ref=sr_1_101?srs=9345851011&ie=UTF8&qid=1489621524&sr=8-101, site visited Mar. 15, 2017.*
Keekaroo Peanut Diaper Changer, video date Aug. 31, 2012,
<http://www.crocodilebaby.com/peanut-diaper-changer-vanilla.html>,
[site visited Mar. 15, 2017 8:12:46 PM].*

* cited by examiner

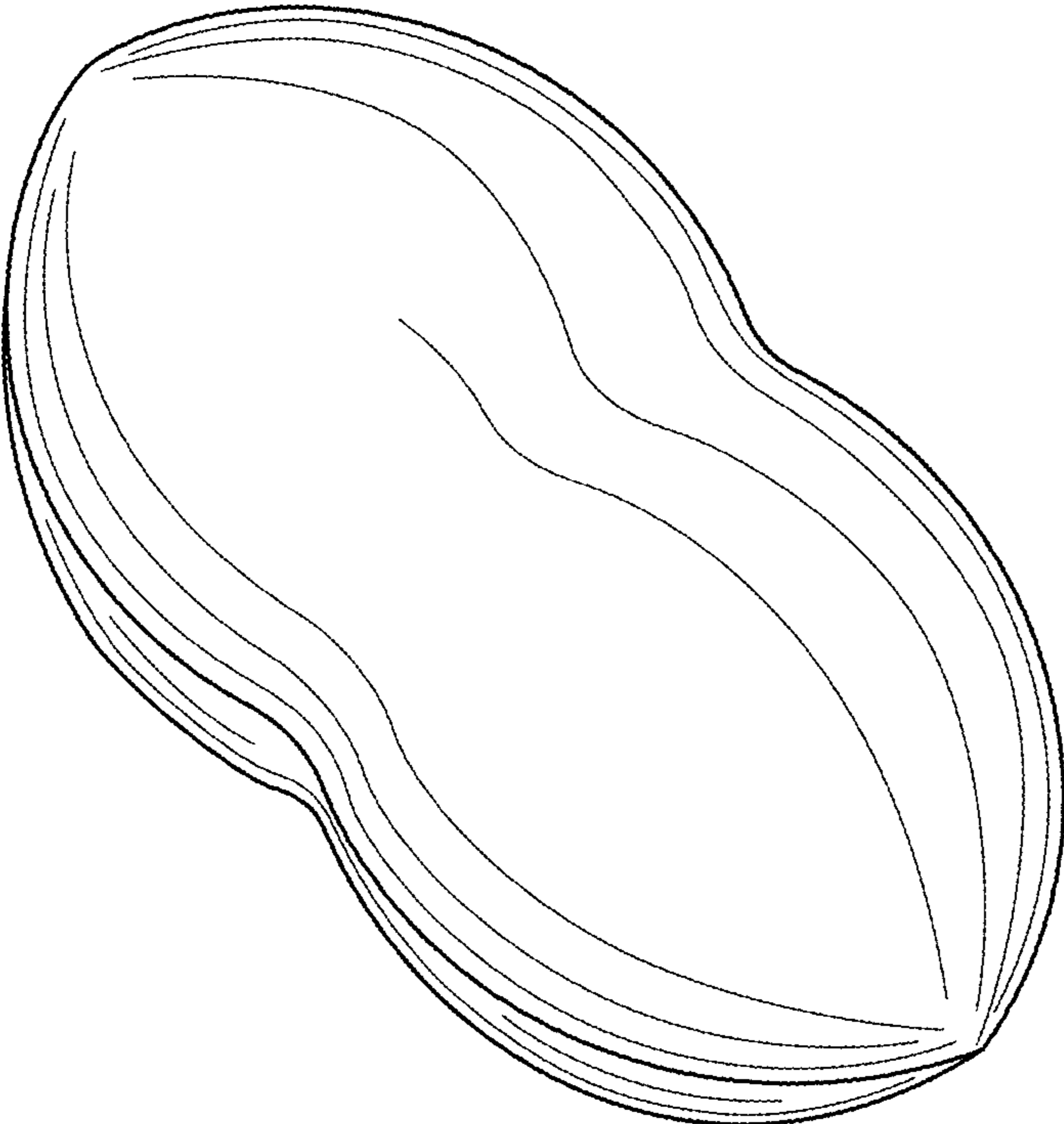


FIG.1

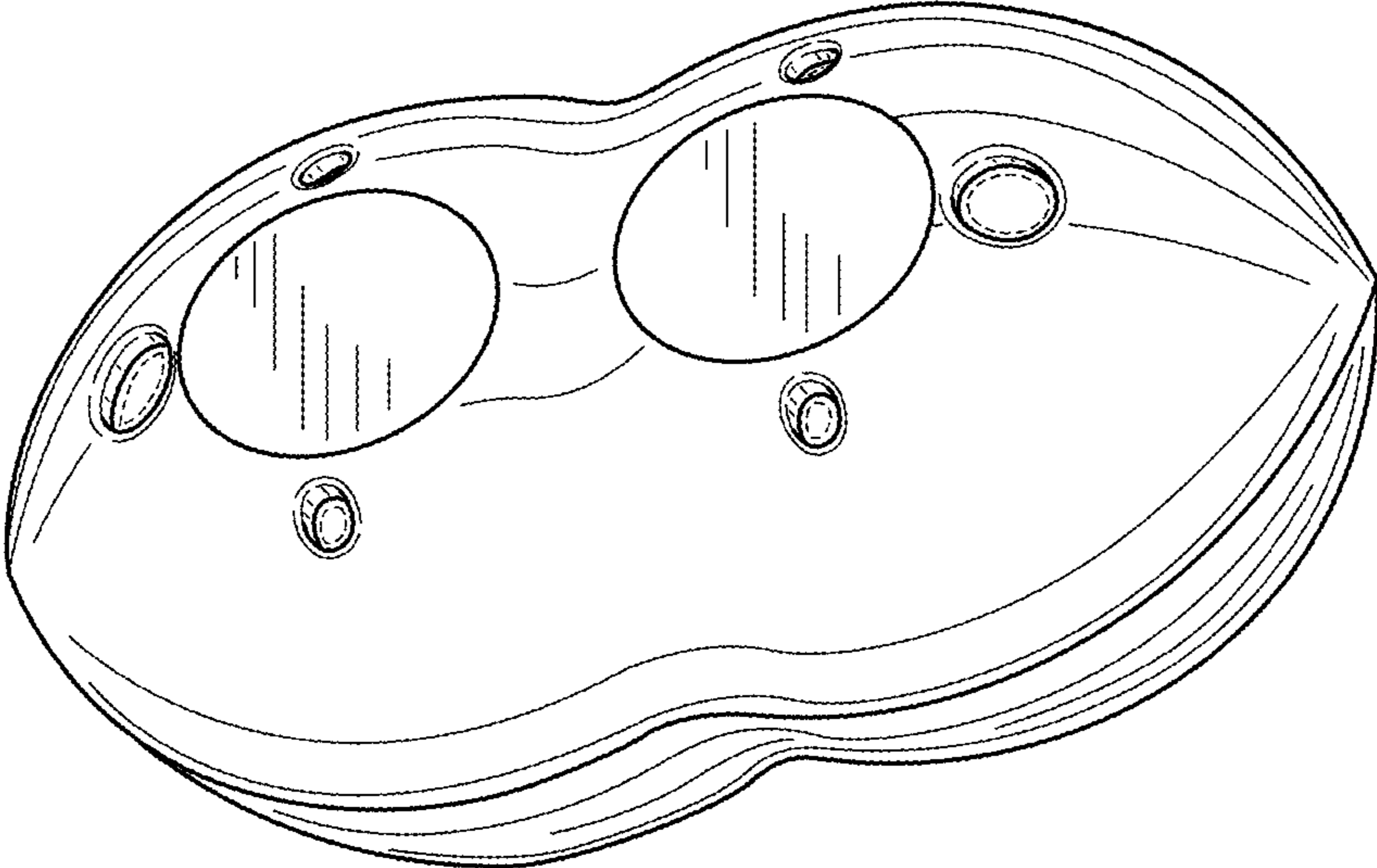


FIG.2

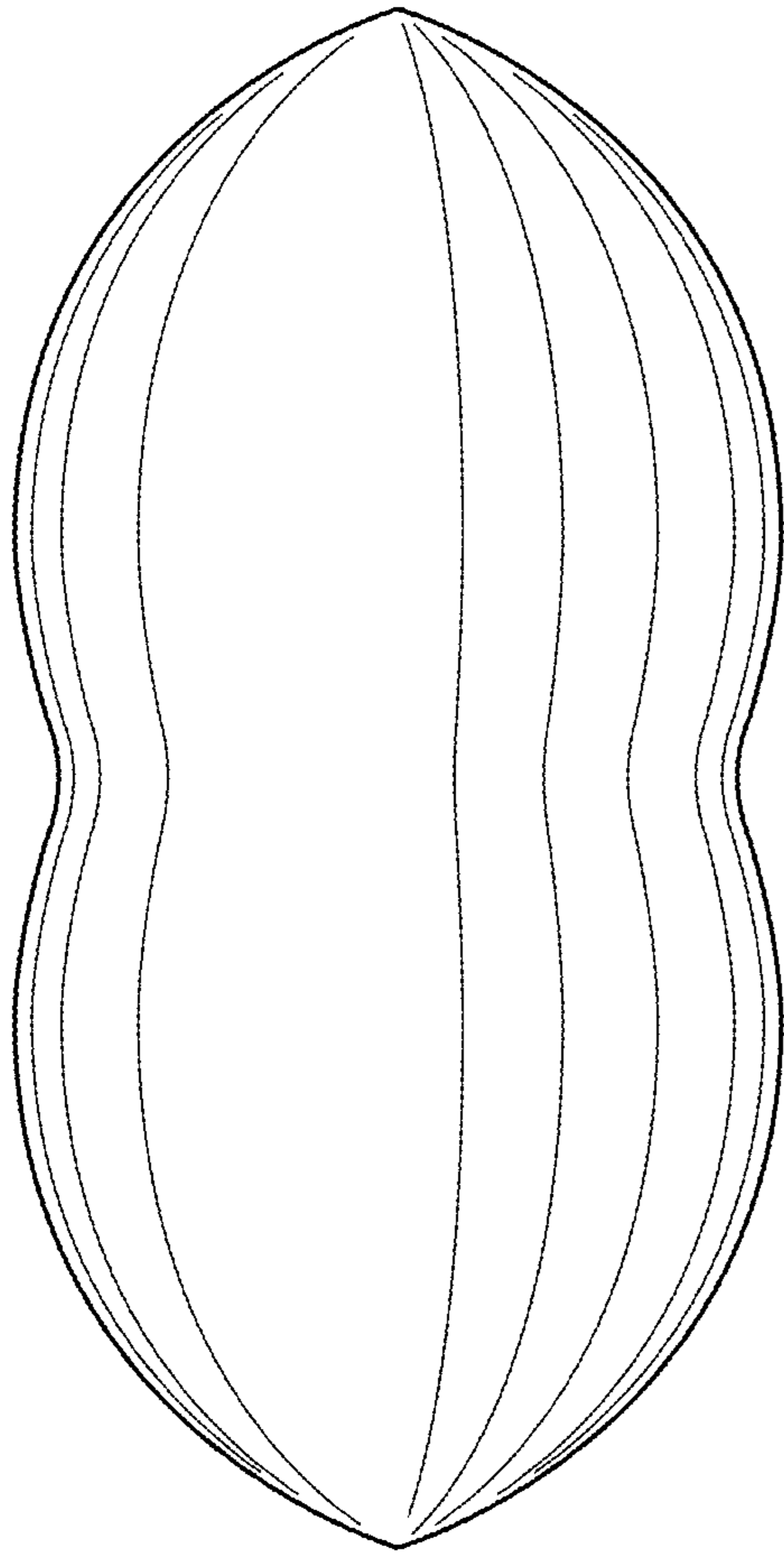


FIG.3

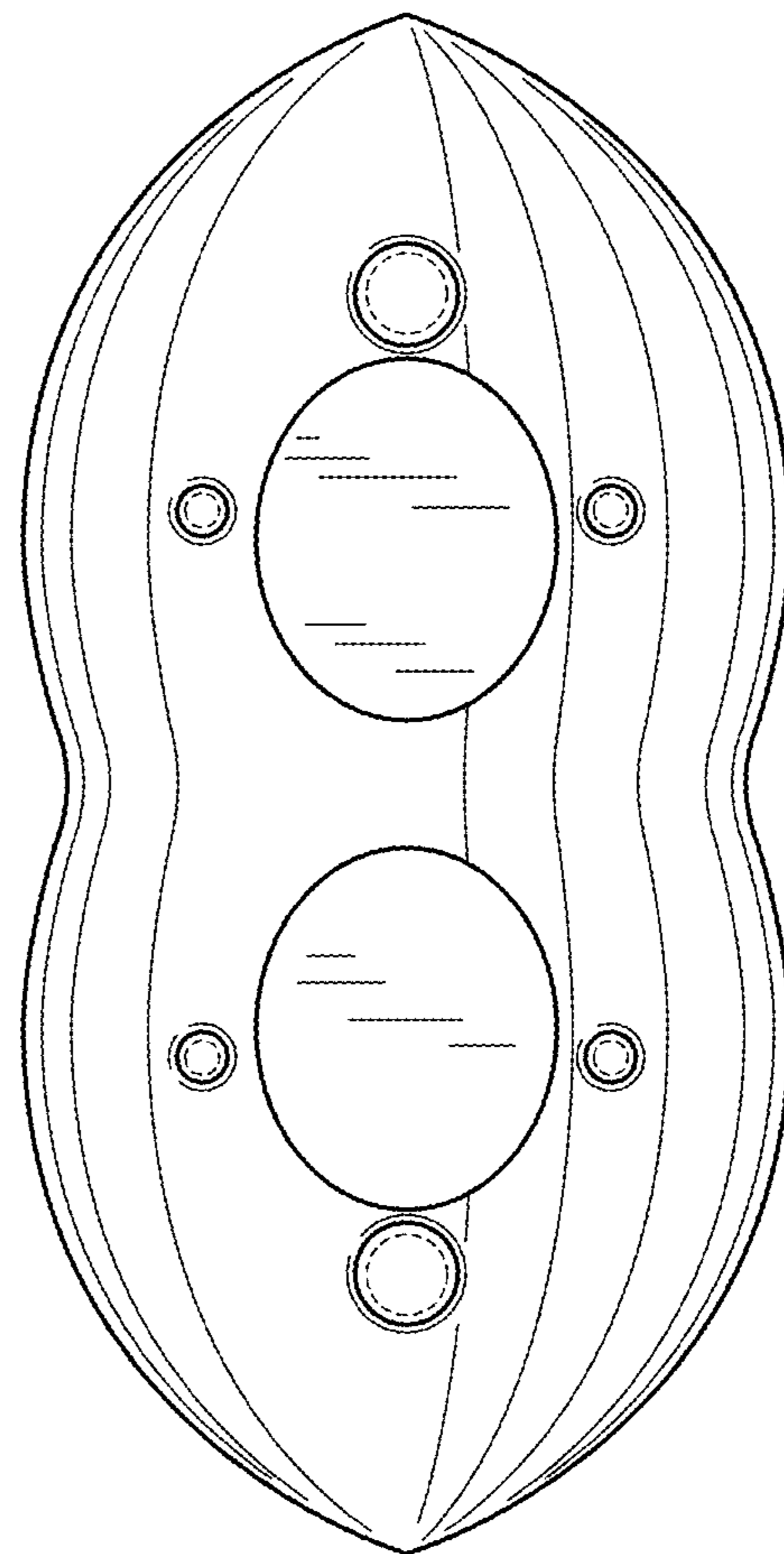


FIG.4

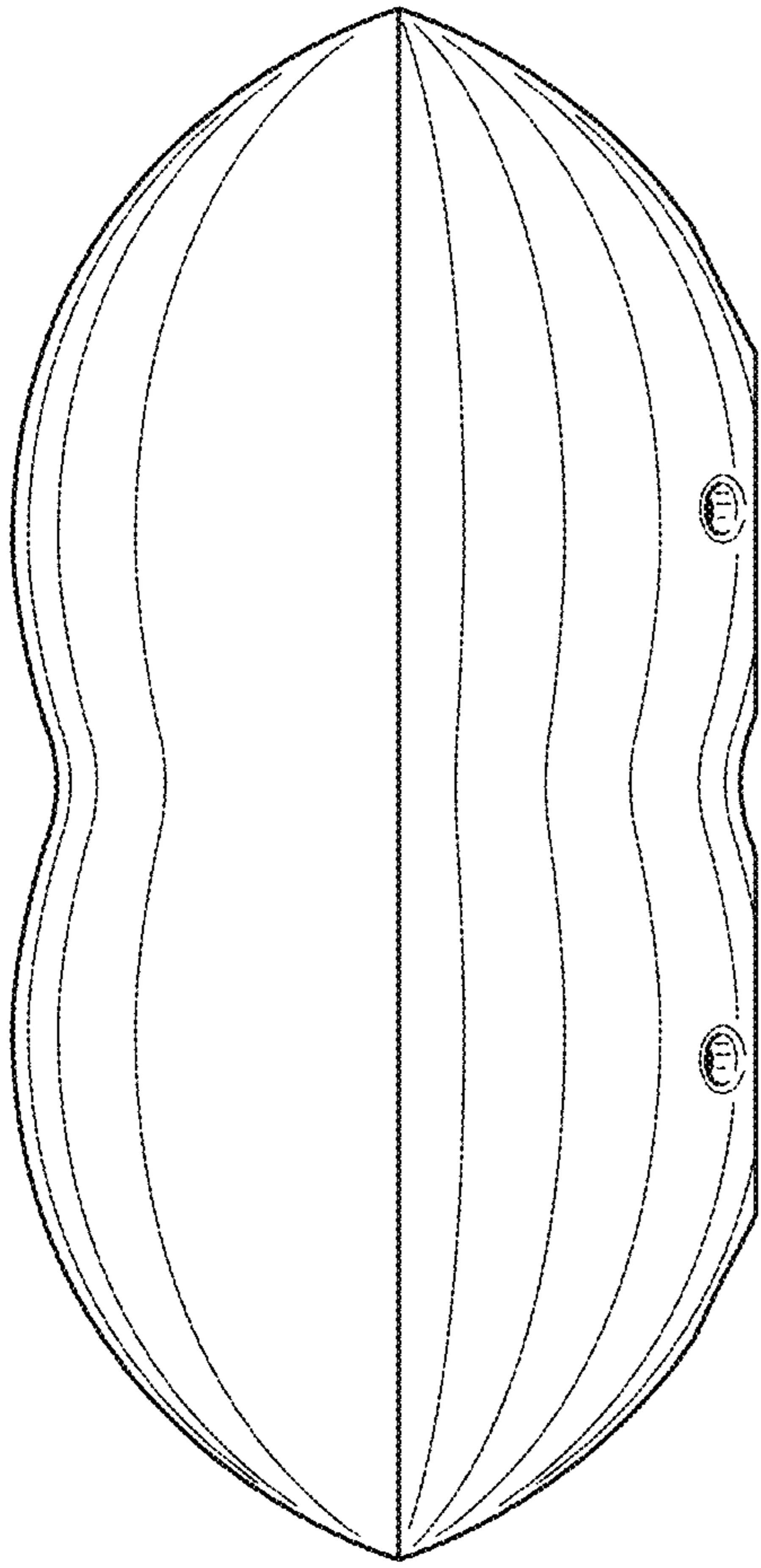


FIG.5

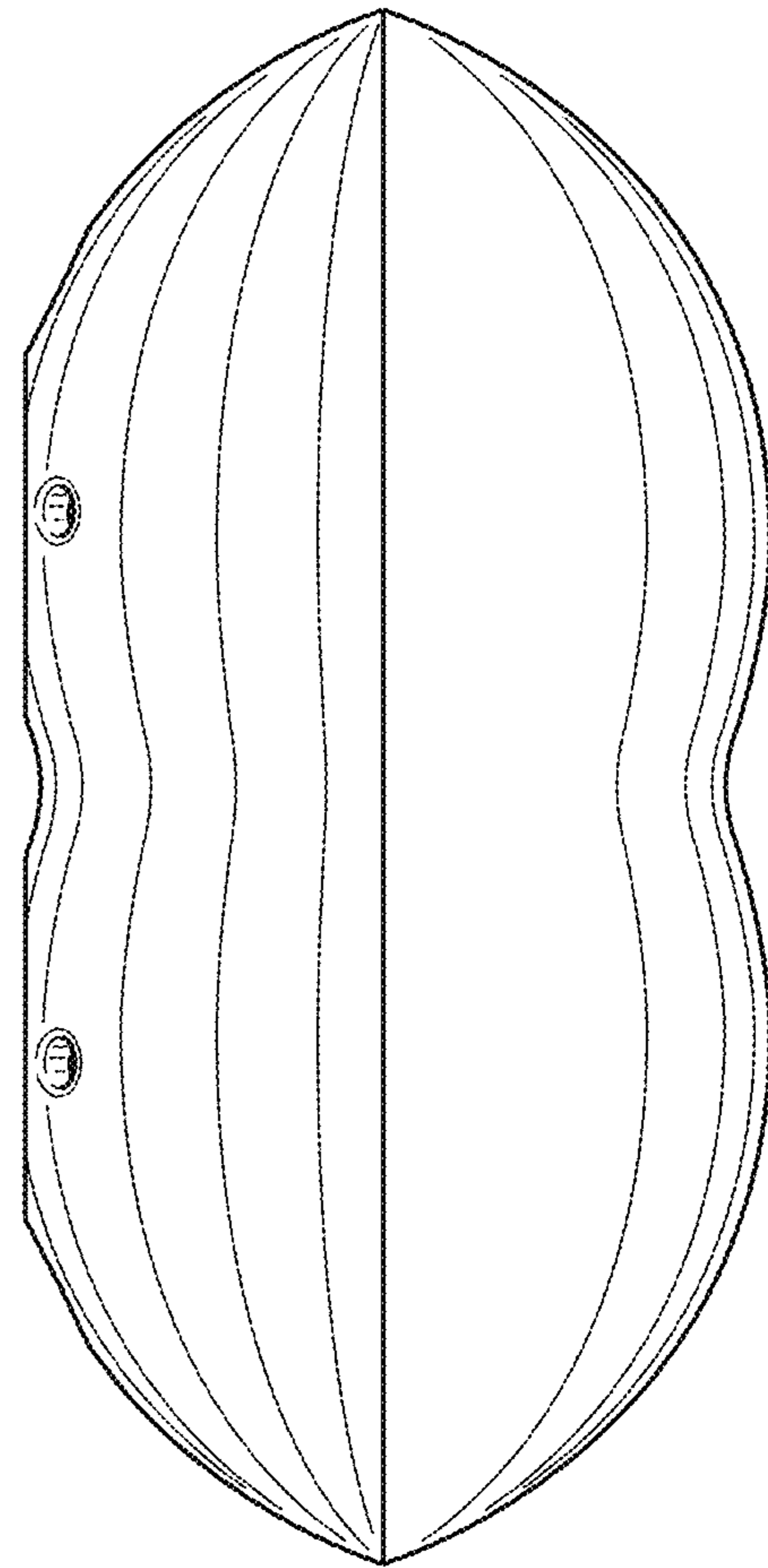


FIG.6

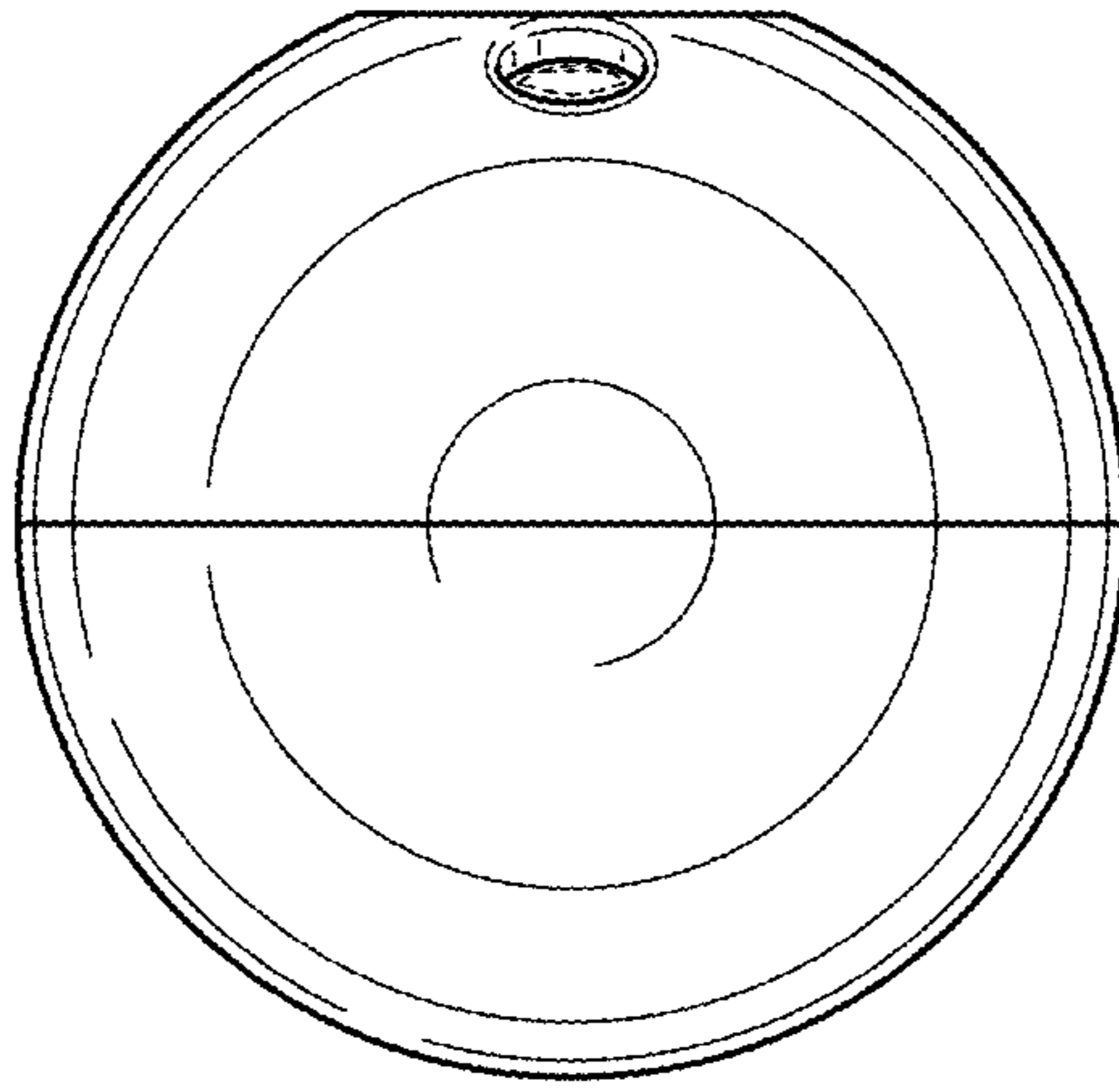


FIG. 7

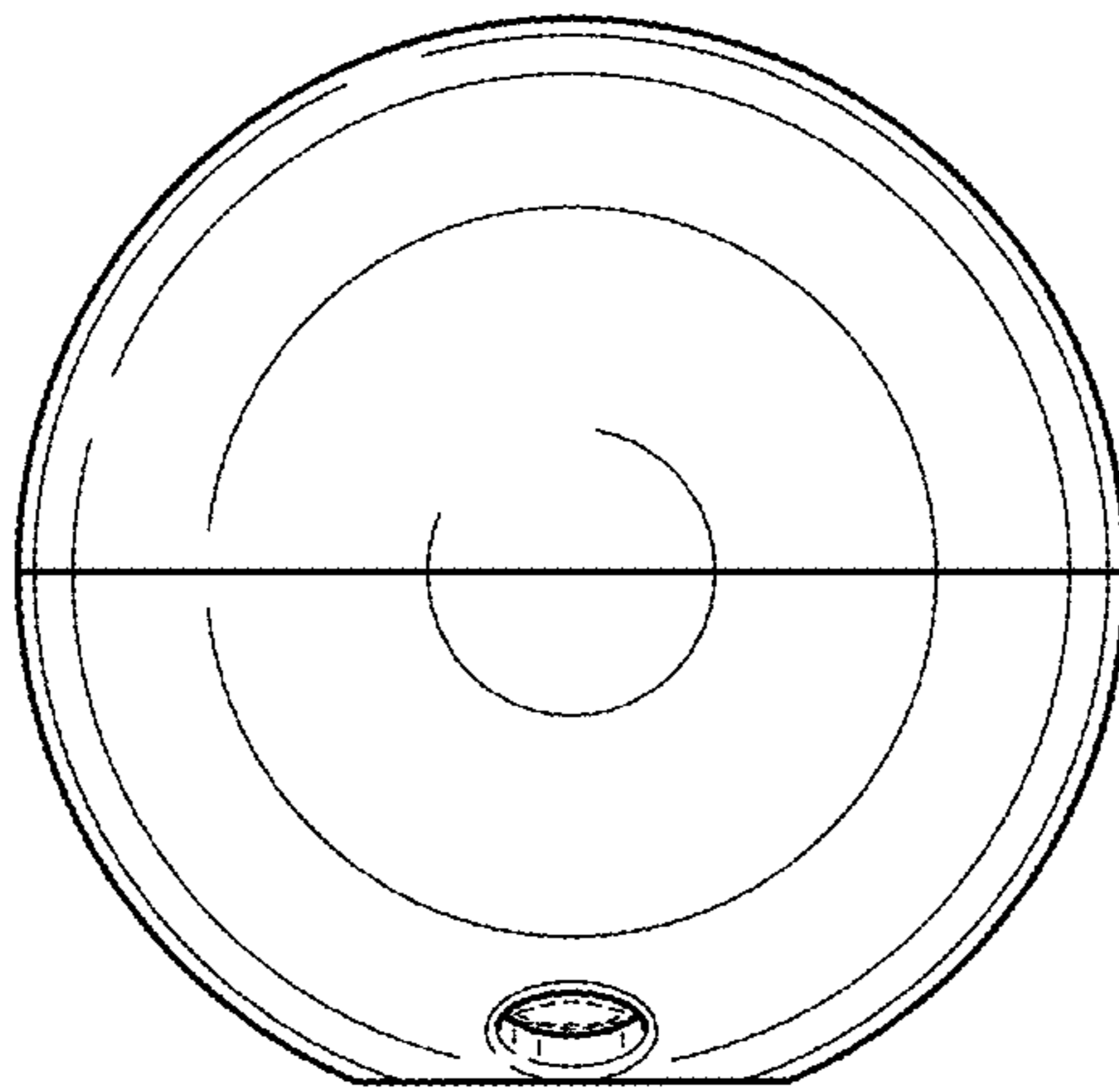


FIG. 8