



US00D794270S

(12) **United States Design Patent** (10) **Patent No.:** **US D794,270 S**
Jang et al. (45) **Date of Patent:** **** Aug. 8, 2017**

(54) **HANDLE FOR CLEANER**

(71) Applicant: **Samsung Electronics Co., Ltd.**,
Suwon-si (KR)

(72) Inventors: **Jaeho Jang**, Seoul (KR); **Kyungtae Kim**, Seoul (KR); **Youngjin Kim**,
Gunpo-si (KR); **Yeonyoung Nam**,
Goyang-si (KR)

(73) Assignee: **SAMSUNG ELECTRONICS CO., LTD.**, Gyeonggi-Do (KR)

(**) Term: **15 Years**

(21) Appl. No.: **29/543,470**

(22) Filed: **Oct. 23, 2015**

(30) **Foreign Application Priority Data**

Apr. 24, 2015 (KR) 30-2015-0021073

(51) **LOC (10) Cl.** **15-05**

(52) **U.S. Cl.**
USPC **D32/34**

(58) **Field of Classification Search**
USPC D32/34, 31, 22, 17-18, 21
CPC A47L 9/325; A47L 9/1666; A47L 9/1683;
A47L 5/28; A47L 5/24; A47L 5/362;
A47L 7/0038

See application file for complete search history.

(56) **References Cited**

U.S. PATENT DOCUMENTS

D475,491 S 6/2003 Kalman et al.
7,288,129 B2 * 10/2007 Oh A47L 9/104
15/327.1
7,513,009 B1 * 4/2009 Strawn A47L 5/24
15/344
D703,889 S * 4/2014 Shin D32/18
D730,599 S * 5/2015 Uim D32/18
D731,136 S * 6/2015 Yun D32/34

D731,724 S * 6/2015 Cheon D32/22
D735,426 S * 7/2015 Yun D32/22
D746,525 S * 12/2015 Yun D32/31
D770,111 S * 10/2016 Lee D32/34
D771,890 S * 11/2016 Kim D32/34
D772,512 S * 11/2016 Yoon D32/34
D775,772 S * 1/2017 Lee D32/31

(Continued)

FOREIGN PATENT DOCUMENTS

JP 1422552 9/2011
KR 300568001 7/2010

OTHER PUBLICATIONS

Dyson: Dyson DC16 handheld cleaner, Copyright 1996-2015, pp. 1-4, Retrieved from the Internet Oct. 23, 2015, <URL:http://www.amazon.com/Dyson-Handheld-Vacuum-Cleaner-Station/dp/B00FKTK6FK/re . . . >.

(Continued)

Primary Examiner — Ruth McInroy

(74) *Attorney, Agent, or Firm* — Cantor Colburn LLP

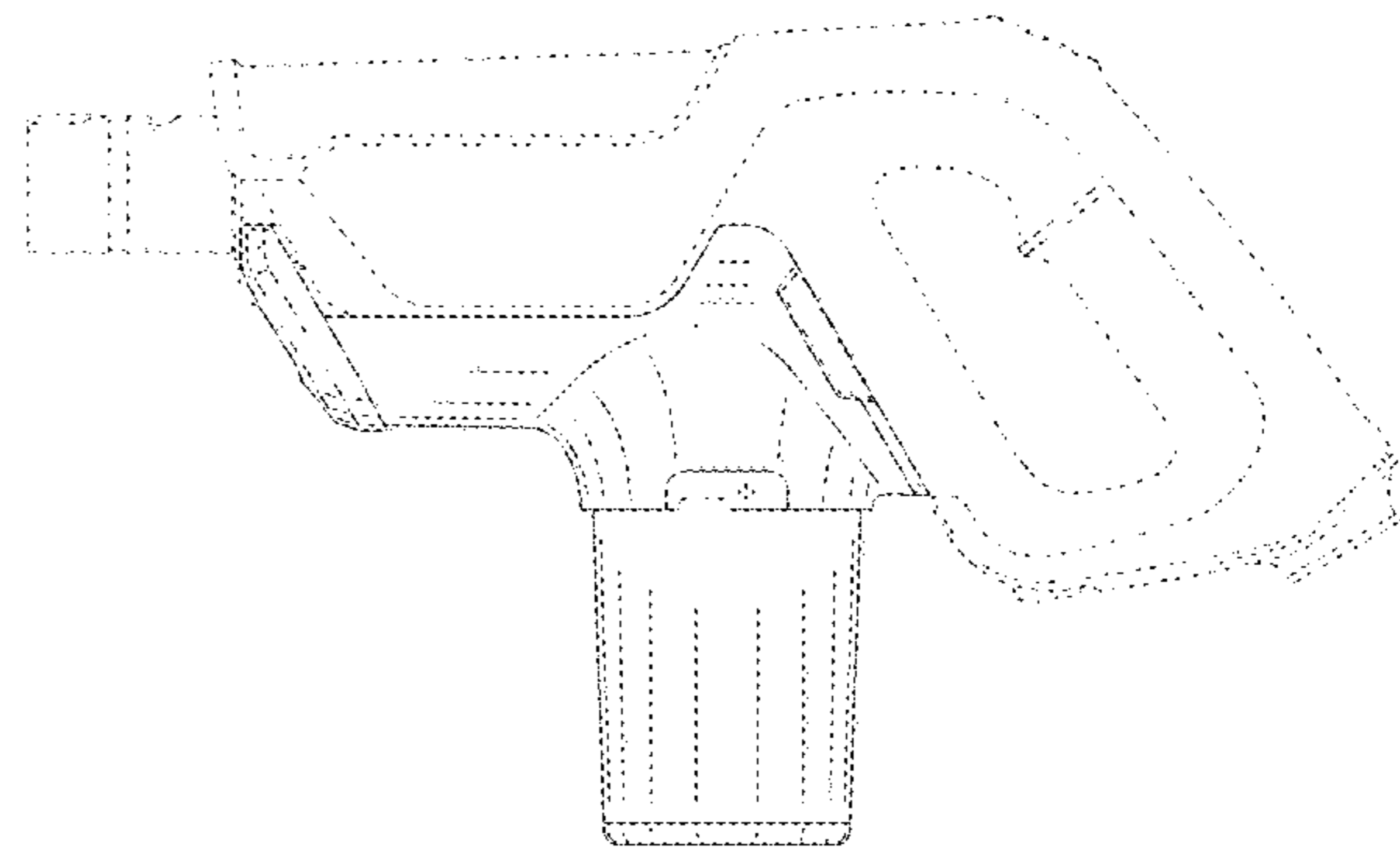
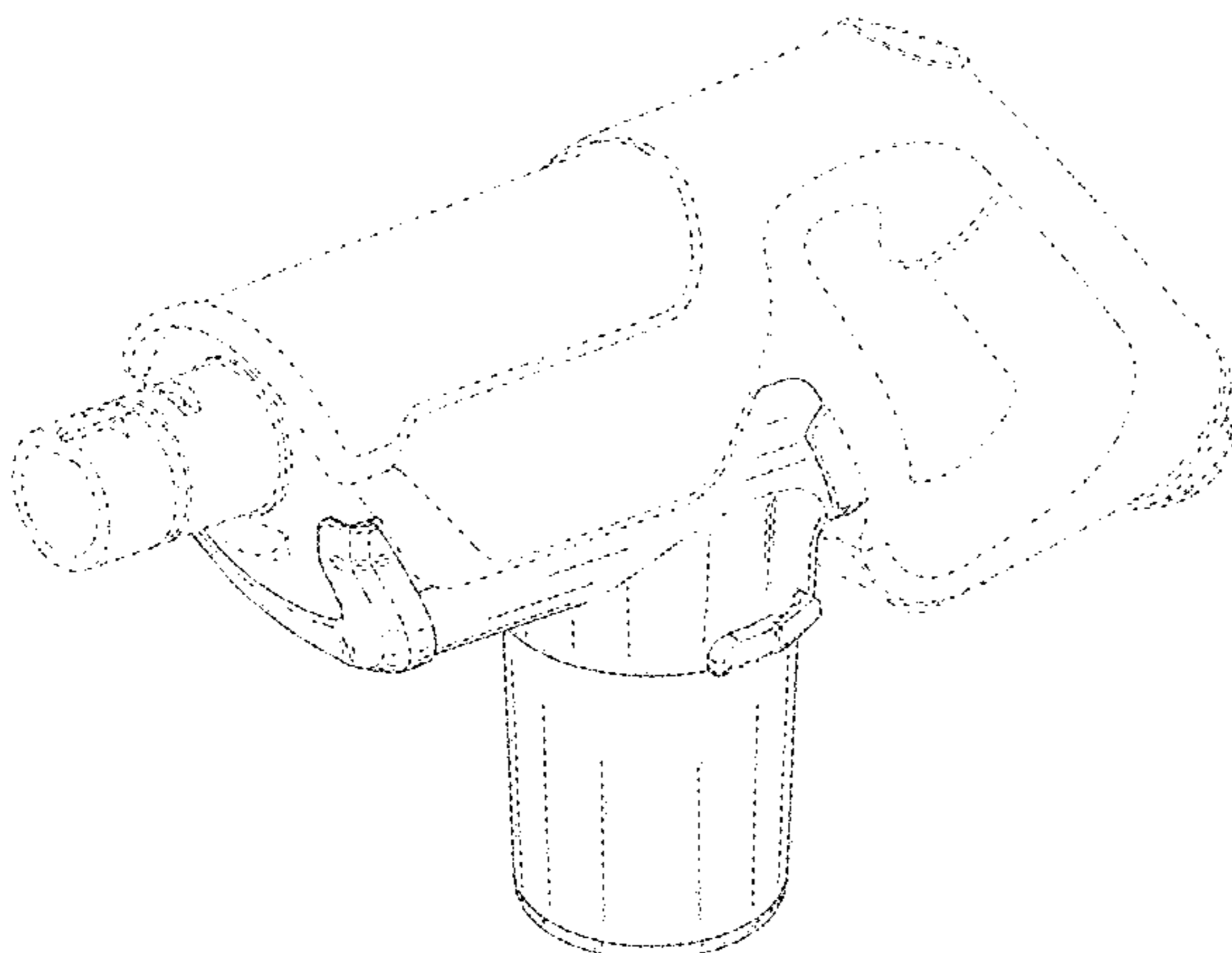
(57) **CLAIM**

The ornamental design for a handle for cleaner, as shown and described.

DESCRIPTION

FIG. 1 is a perspective view of a handle for cleaner, showing our new design;
FIG. 2 is a front view thereof;
FIG. 3 is a rear view thereof;
FIG. 4 is a side view thereof;
FIG. 5 is another side view thereof;
FIG. 6 is a top view thereof;
FIG. 7 is a bottom view thereof; and,
FIG. 8 is a bottom perspective view thereof.
The broken lines are environmental purpose only and form no part of the claimed design.

1 Claim, 8 Drawing Sheets



(56)

References Cited

U.S. PATENT DOCUMENTS

2015/0059122 A1* 3/2015 Kim A47L 9/009
15/354
2016/0174789 A1* 6/2016 Han A47L 5/24
15/327.1

OTHER PUBLICATIONS

KDK—Cordless Handheld, Trademark 1918, pp. 1-5, Retrieved from the Internet Oct. 23, 2015, <URL:<http://www.singaporehandyman.com/Fan/kadeka/vacuum.htm>>.

* cited by examiner

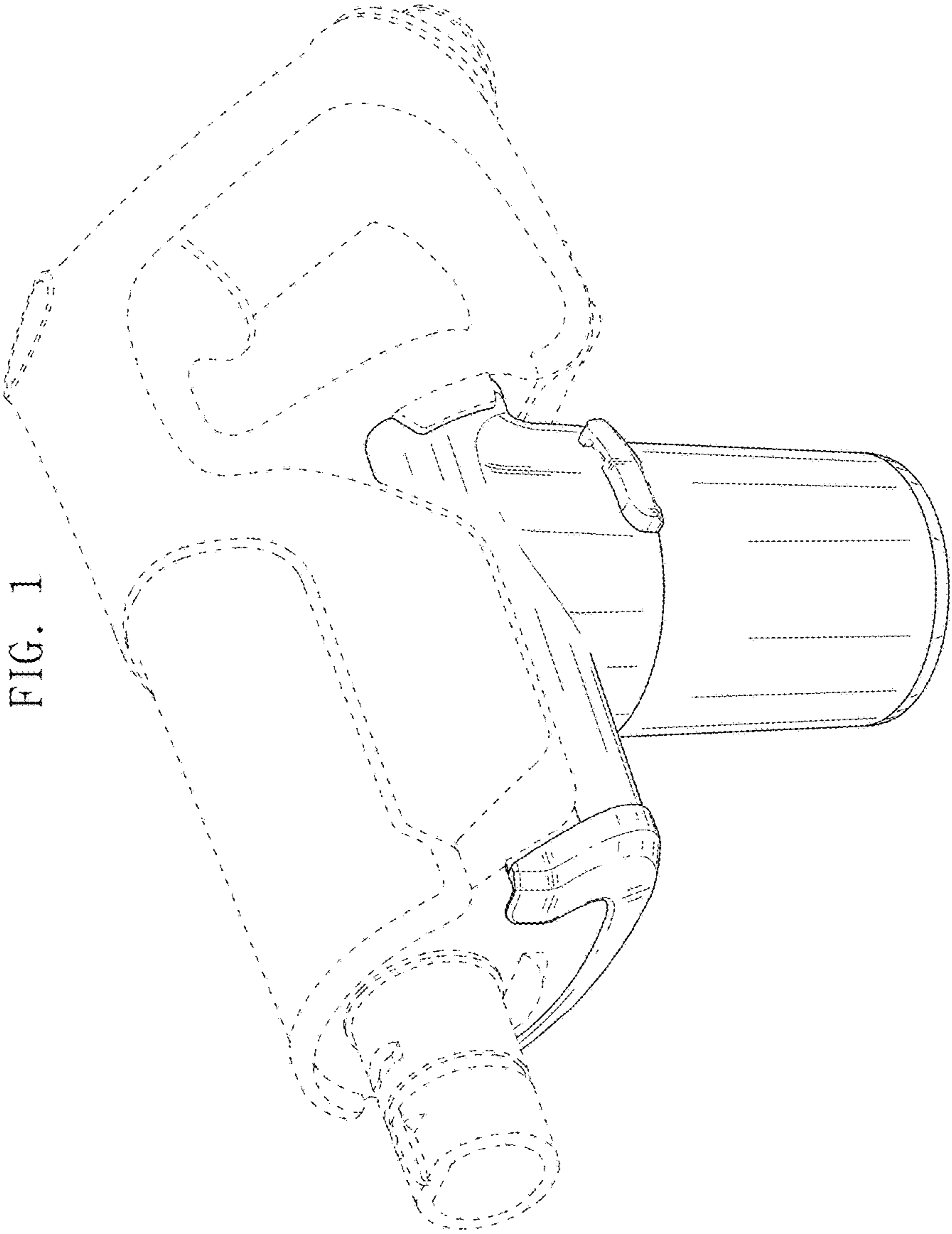


FIG. 2

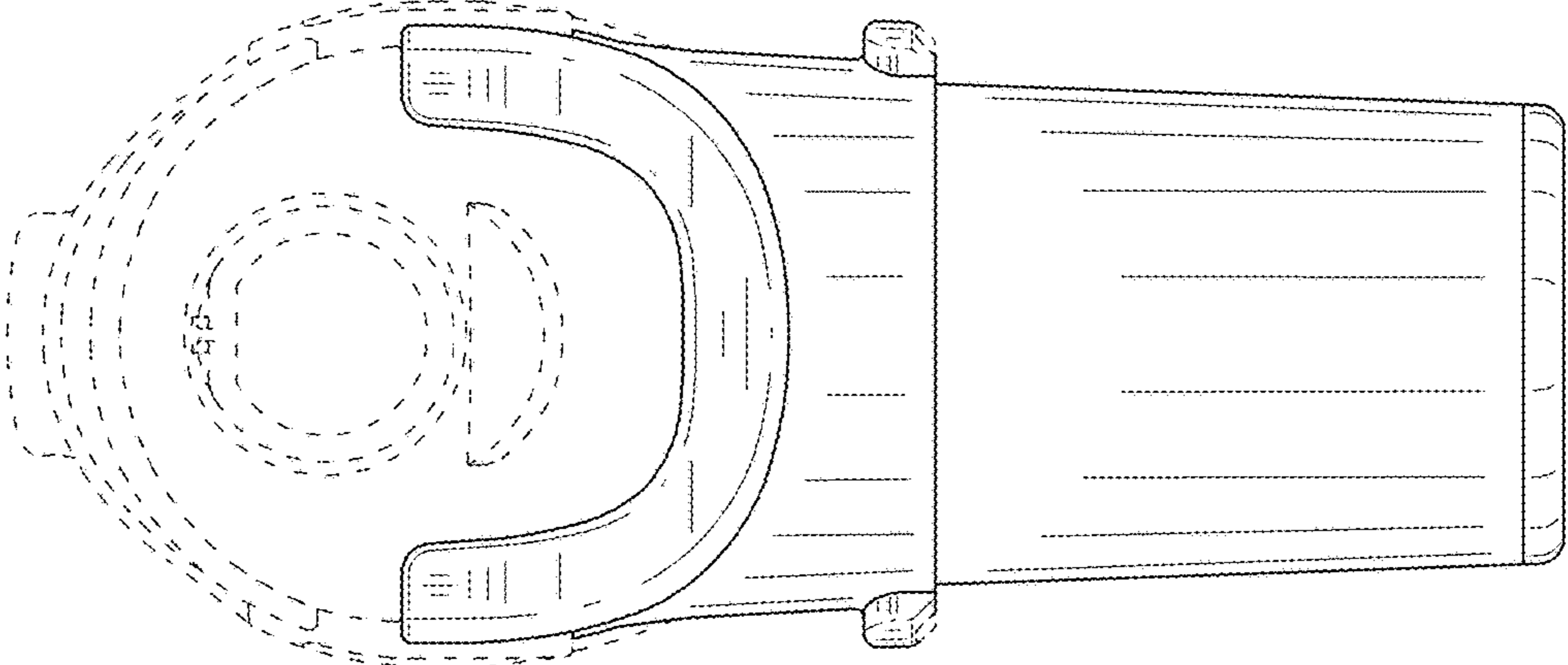


FIG. 3

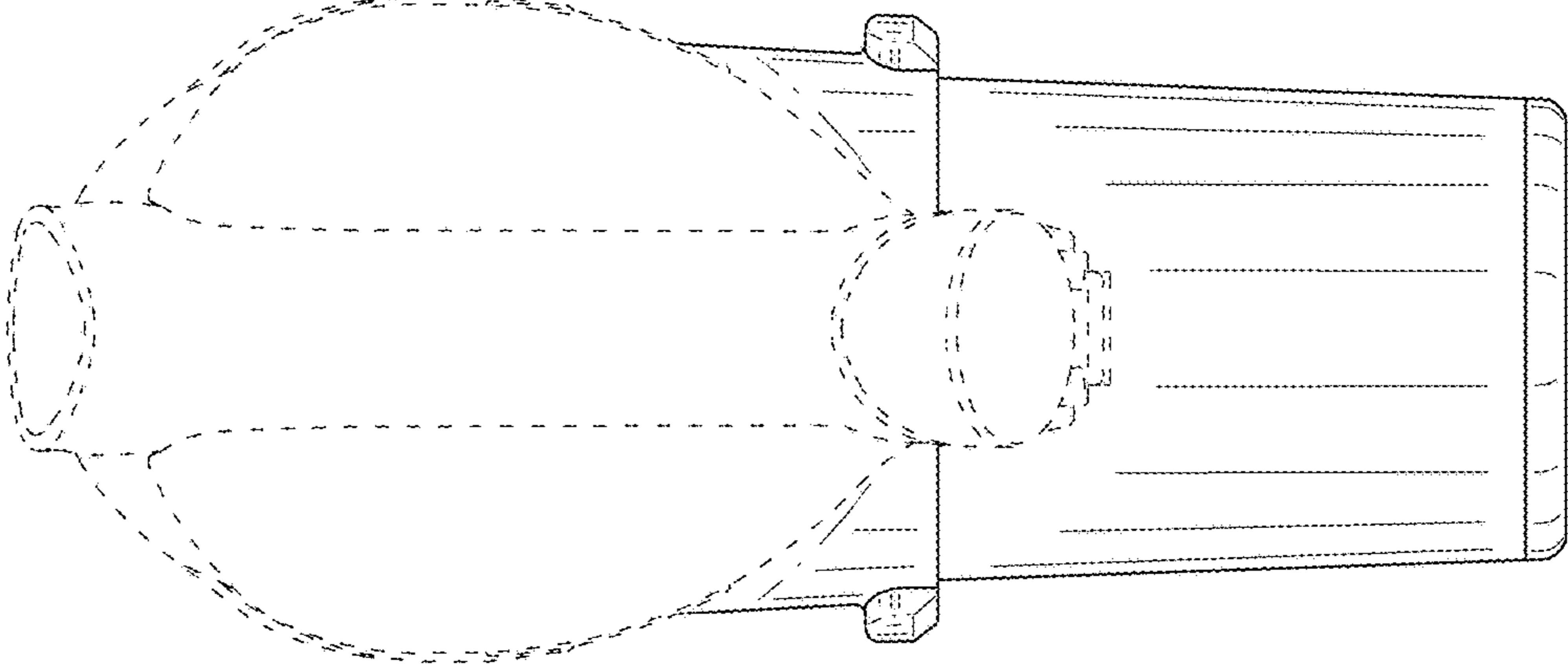


FIG. 4

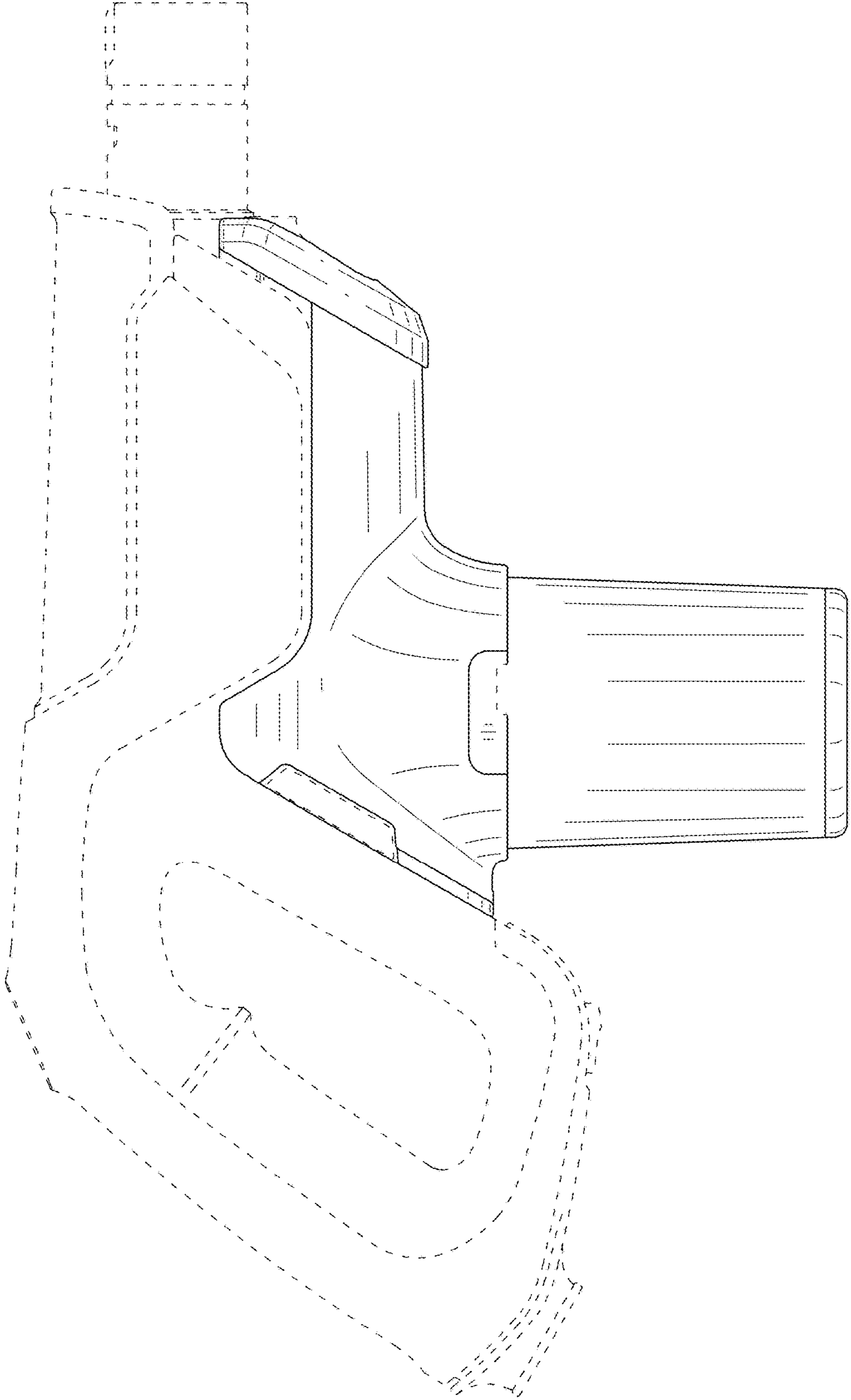


FIG. 5

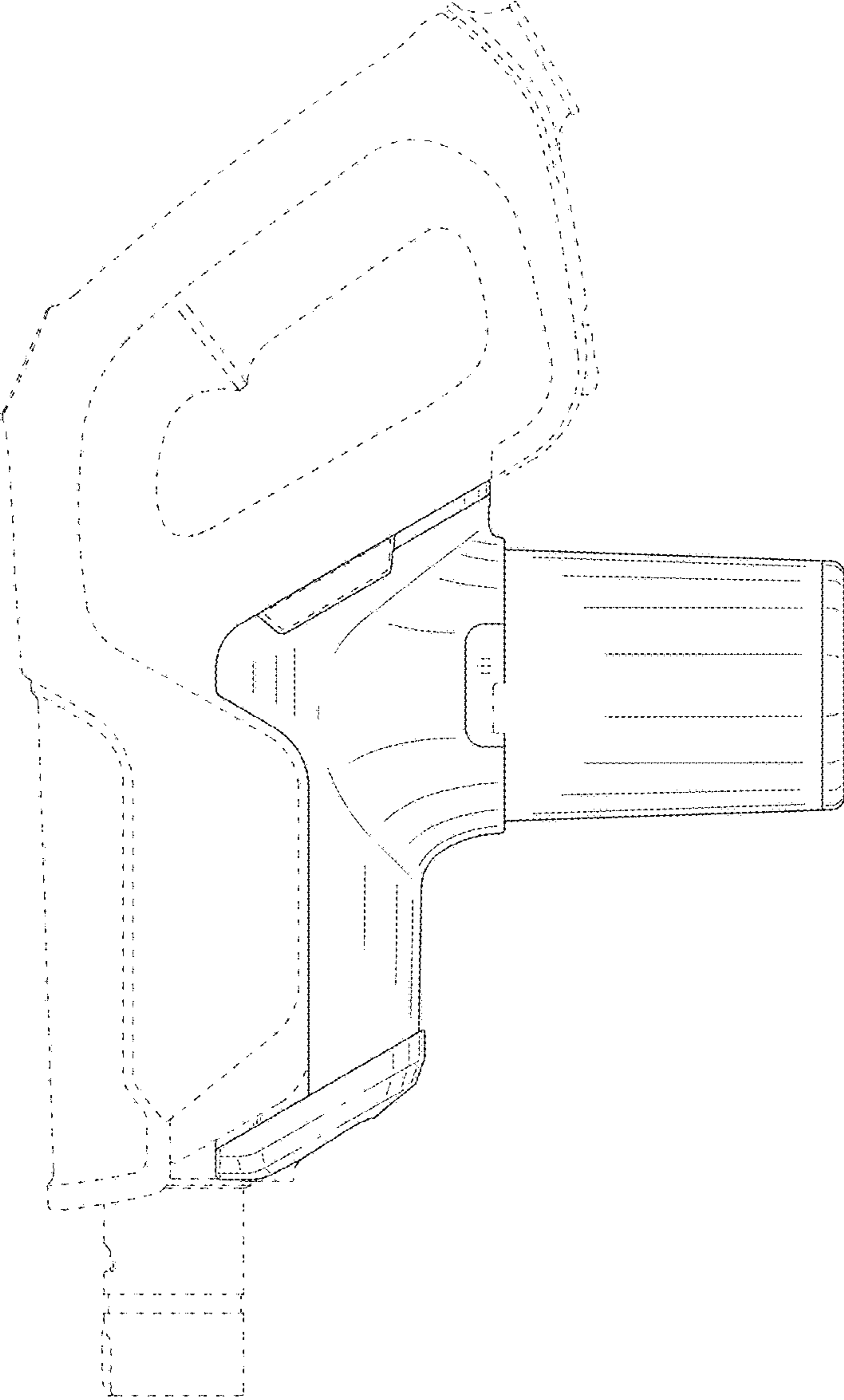


FIG. 6

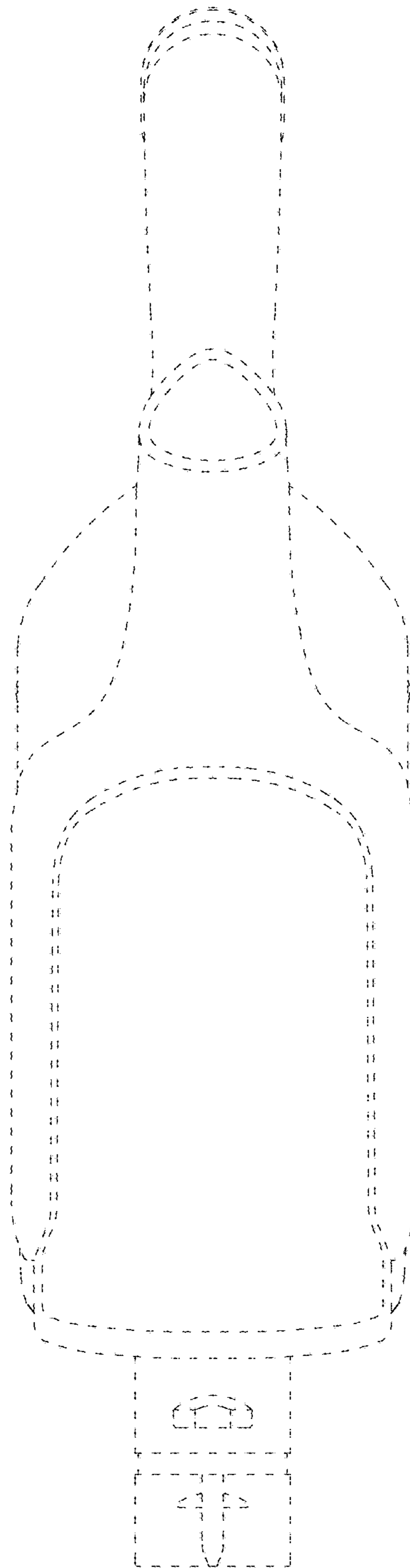


FIG. 7

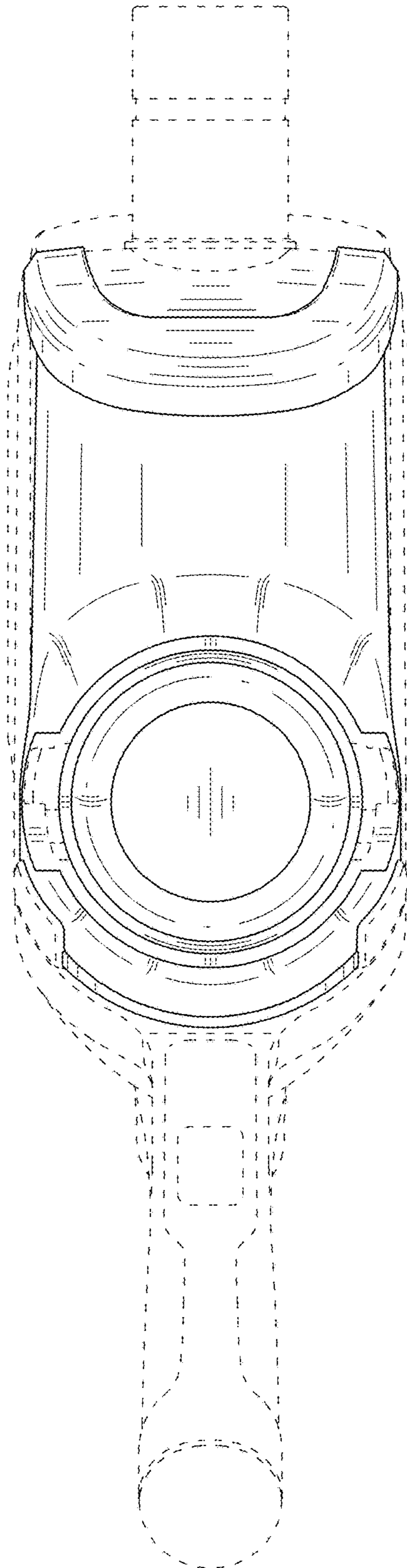


FIG. 8

