



US00D794269S

(12) **United States Design Patent**
Kim et al.

(10) **Patent No.: US D794,269 S**

(45) **Date of Patent: ** *Aug. 8, 2017**

(54) **WASHING MACHINE**

(71) Applicant: **Samsung Electronics Co., Ltd.**,
Suwon-si (KR)

(72) Inventors: **Jin-Nam Kim**, Seoul (KR); **Ji-Yeun Yoon**, Seoul (KR); **Dong-Won Chun**, Seoul (KR)

(73) Assignee: **Samsung Electronics Co., Ltd.**,
Suwon-si (KR)

(*) Notice: This patent is subject to a terminal disclaimer.

(**) Term: **15 Years**

(21) Appl. No.: **29/549,224**

(22) Filed: **Dec. 21, 2015**

(30) **Foreign Application Priority Data**

Jul. 1, 2015 (KR) 30-2015-0033269

(51) **LOC (10) Cl.** **15-05**

(52) **U.S. Cl.**
USPC **D32/29.1**

(58) **Field of Classification Search**
USPC D32/29.1, 29, 1, 5, 6, 8, 10, 25, 28;
D6/510; D7/348-349; D9/420, 423, 432
(Continued)

(56) **References Cited**

U.S. PATENT DOCUMENTS

D276,594 S * 12/1984 Fahey D9/420
D449,782 S * 10/2001 Diaz D7/629
(Continued)

FOREIGN PATENT DOCUMENTS

KR 30-2010-0005977 4/2011
RU 00100224 * 11/2015
(Continued)

OTHER PUBLICATIONS

Buyers and Sellers “The inside of the new Miele Washing machine TwinDos ultra phase 1 and 2 system”. [2013] plus.google.com Sep. 14, 2013 <<https://plus.google.com/+buyersandsellers/posts/3Phj9nkm2Sf>>.

(Continued)

Primary Examiner — Caron D Veynar

Assistant Examiner — Laura Yu

(74) *Attorney, Agent, or Firm* — NSIP Law

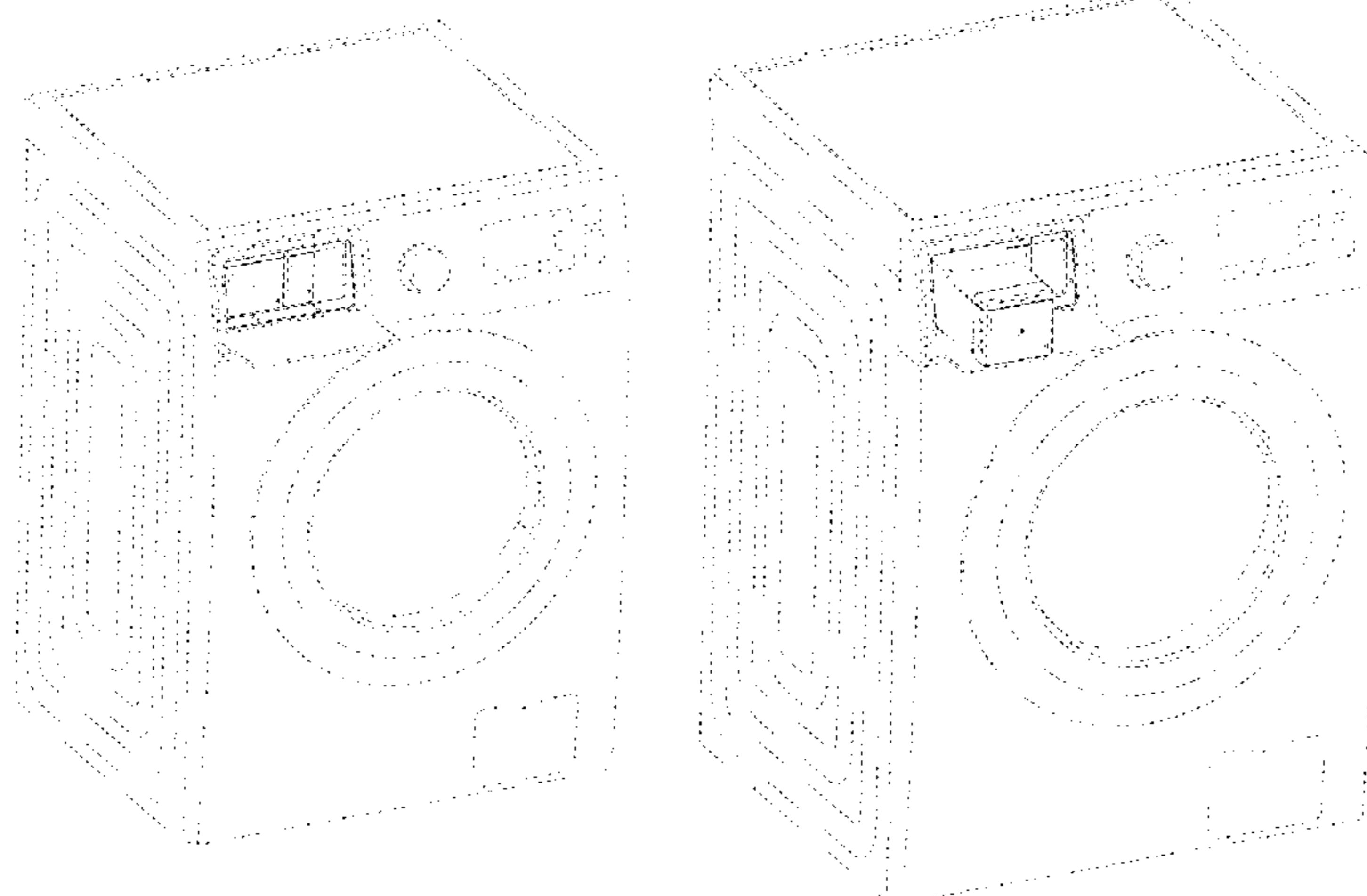
(57) **CLAIM**

We claim the ornamental design for a washing machine, as shown and described.

DESCRIPTION

FIG. 1 is a front perspective view of a washing machine showing our new design;
FIG. 2 is a front view thereof;
FIG. 3 is a rear view thereof;
FIG. 4 is a left-side view thereof;
FIG. 5 is a right-side view thereof;
FIG. 6 is a top view thereof;
FIG. 7 is a bottom view thereof;
FIG. 8 is another front perspective view of the washing machine shown in an alternate position;
FIG. 9 is an exploded view of the washing machine in which the detergent container is shown separated from the body of the washing machine; and,
FIG. 10 is an enlarged exploded view of the claimed portion shown in FIG. 8 to show that each detergent container can be removed.
The broken lines in the figures show portions of the washing machine which form no part of the claimed design.
The dot-dash broken lines in the figures represent an unclaimed boundary line and form no part of the claimed design.

1 Claim, 10 Drawing Sheets



(58) **Field of Classification Search**

CPC D06F 39/045; D06F 29/00; D06F 29/005;
D06F 25/00; D06F 39/022; D06F 33/02;
D06F 2204/065; D06F 35/006; A47L
15/4418

See application file for complete search history.

(56) **References Cited**

U.S. PATENT DOCUMENTS

D485,754 S * 1/2004 Fielder D9/416
D488,863 S * 4/2004 Quinn D24/121
D629,168 S 12/2010 Park et al.
2010/0161143 A1* 6/2010 Smith A47L 15/4418
700/283
2016/0289883 A1* 10/2016 LV D06F 35/005

FOREIGN PATENT DOCUMENTS

RU 00100225 * 11/2015
RU 00100229 * 11/2015

OTHER PUBLICATIONS

“Miele ULTRAPHASE1”. [2015] www.geraldgiles.co.uk May 24,
2015 <[http://www.geraldgiles.co.uk/store/miele/accessories/
ultraphase1/product5664/](http://www.geraldgiles.co.uk/store/miele/accessories/ultraphase1/product5664/)>.

* cited by examiner

FIG. 1

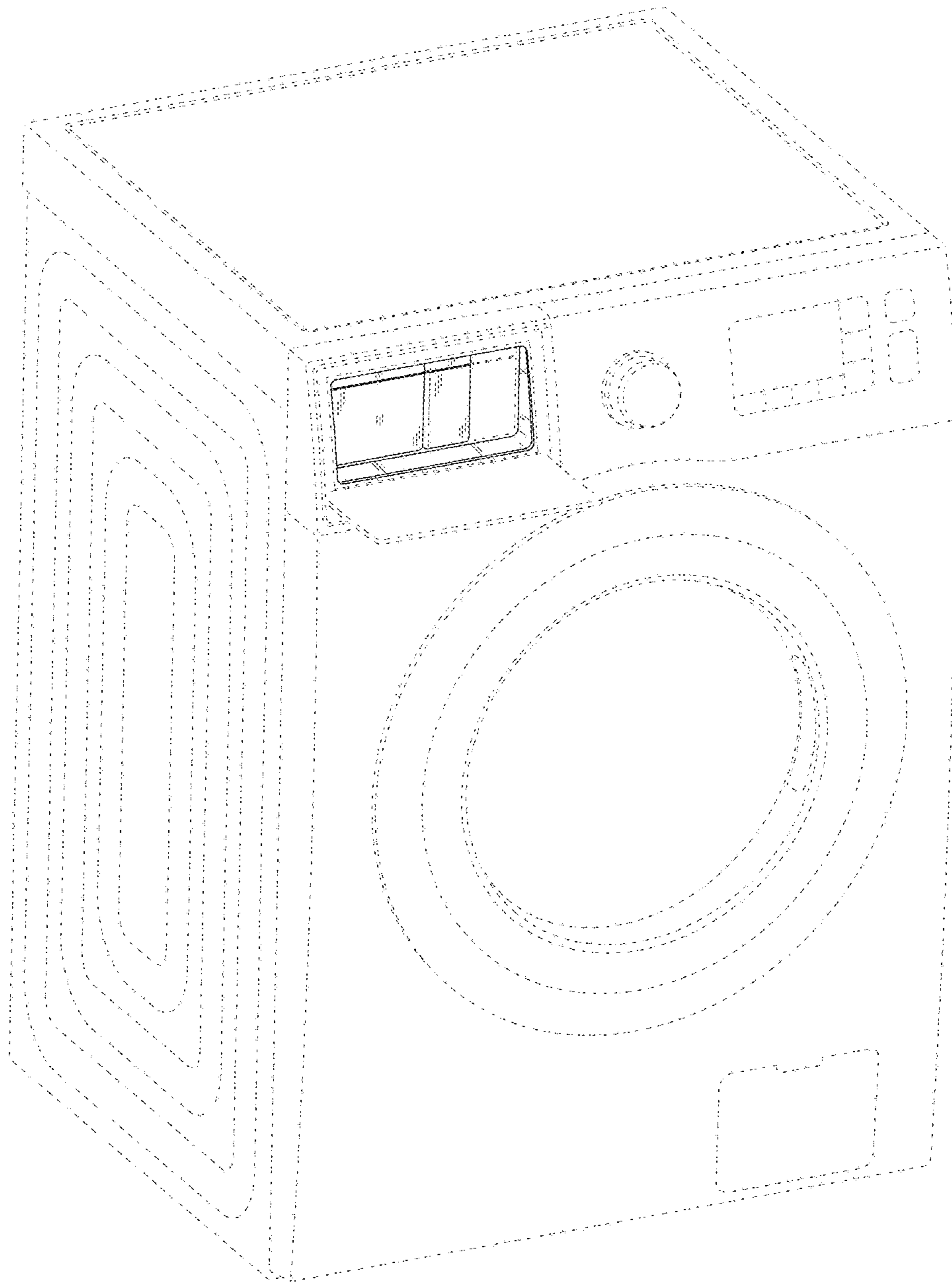


FIG. 2

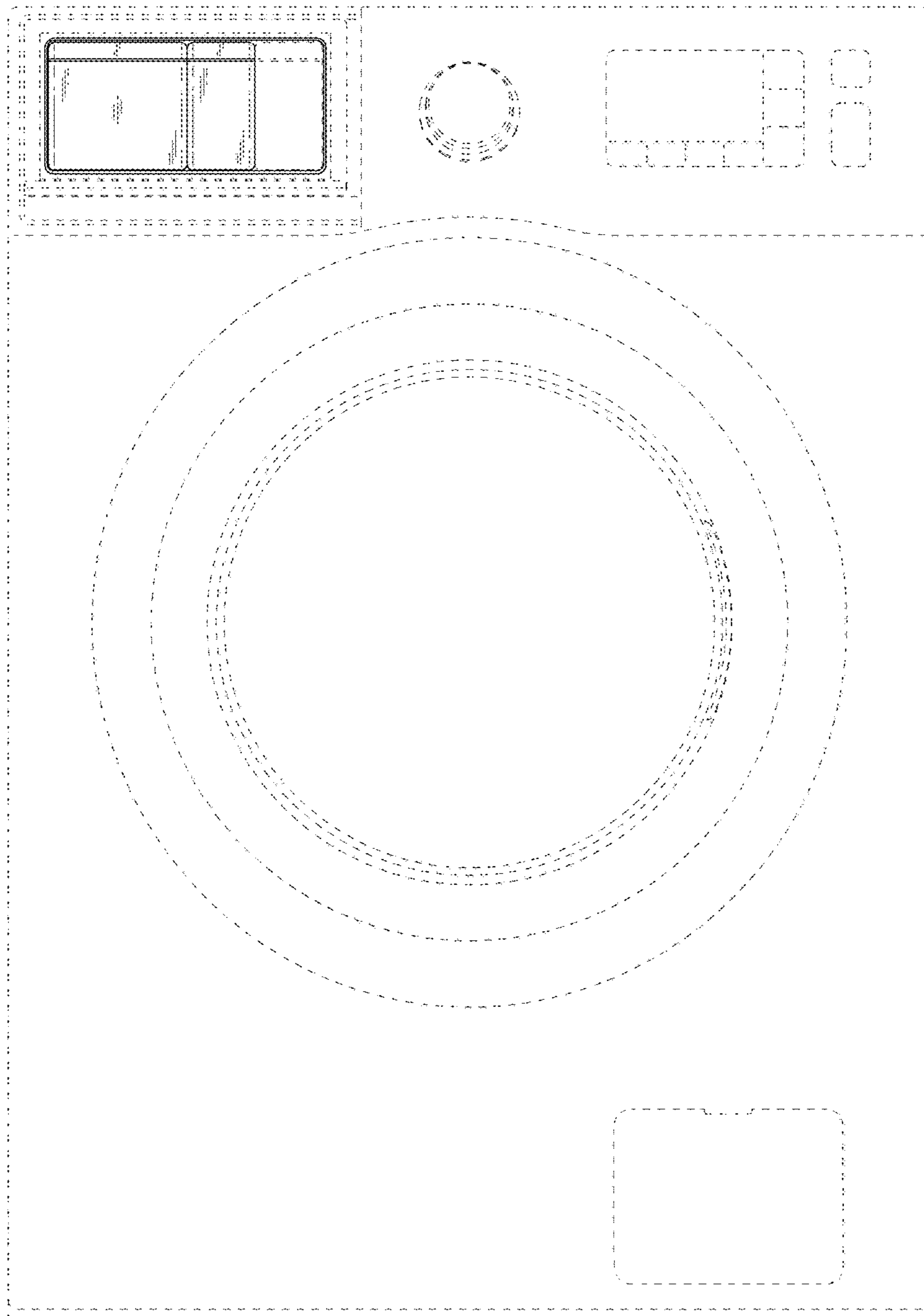


FIG. 3

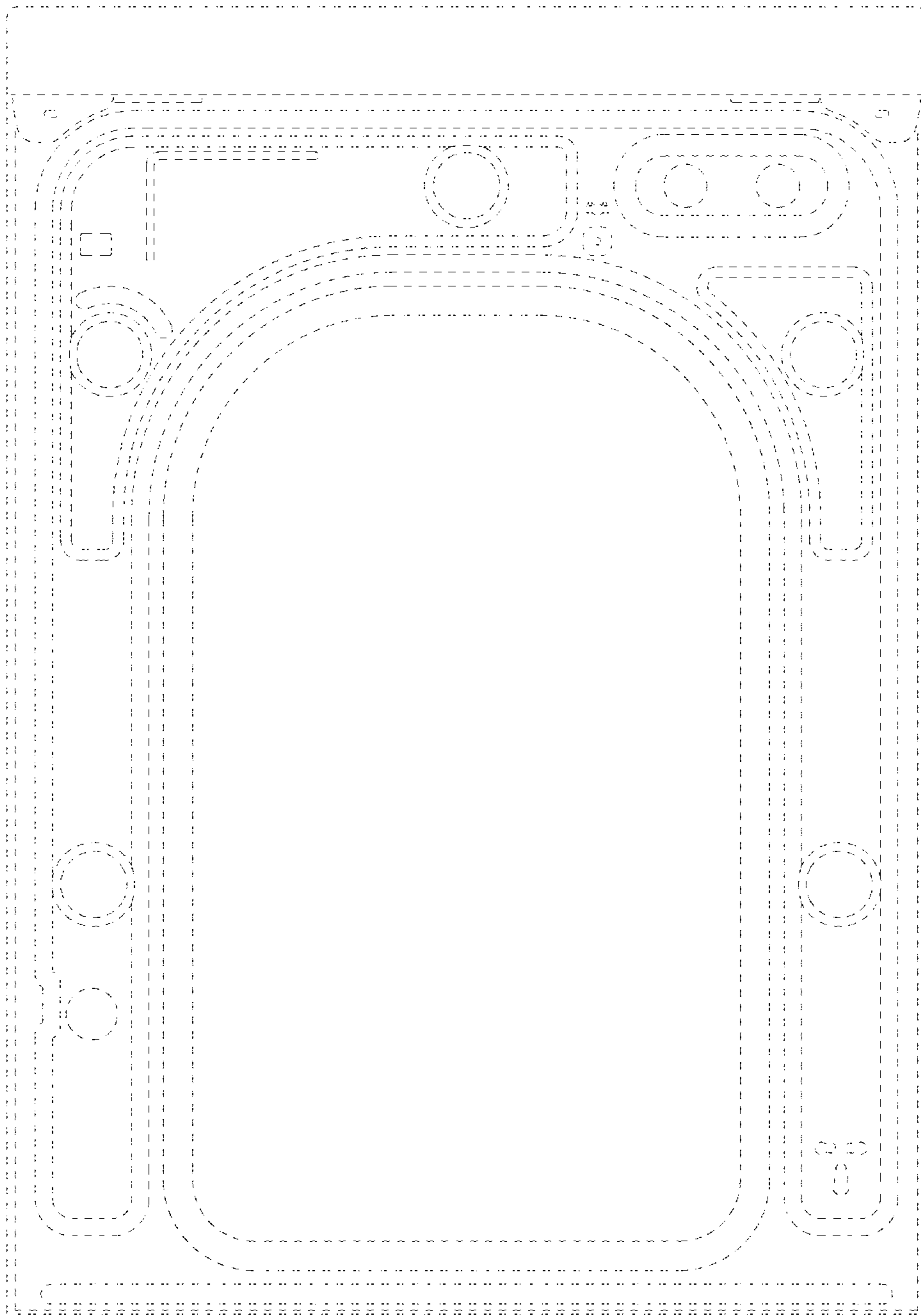


FIG. 4

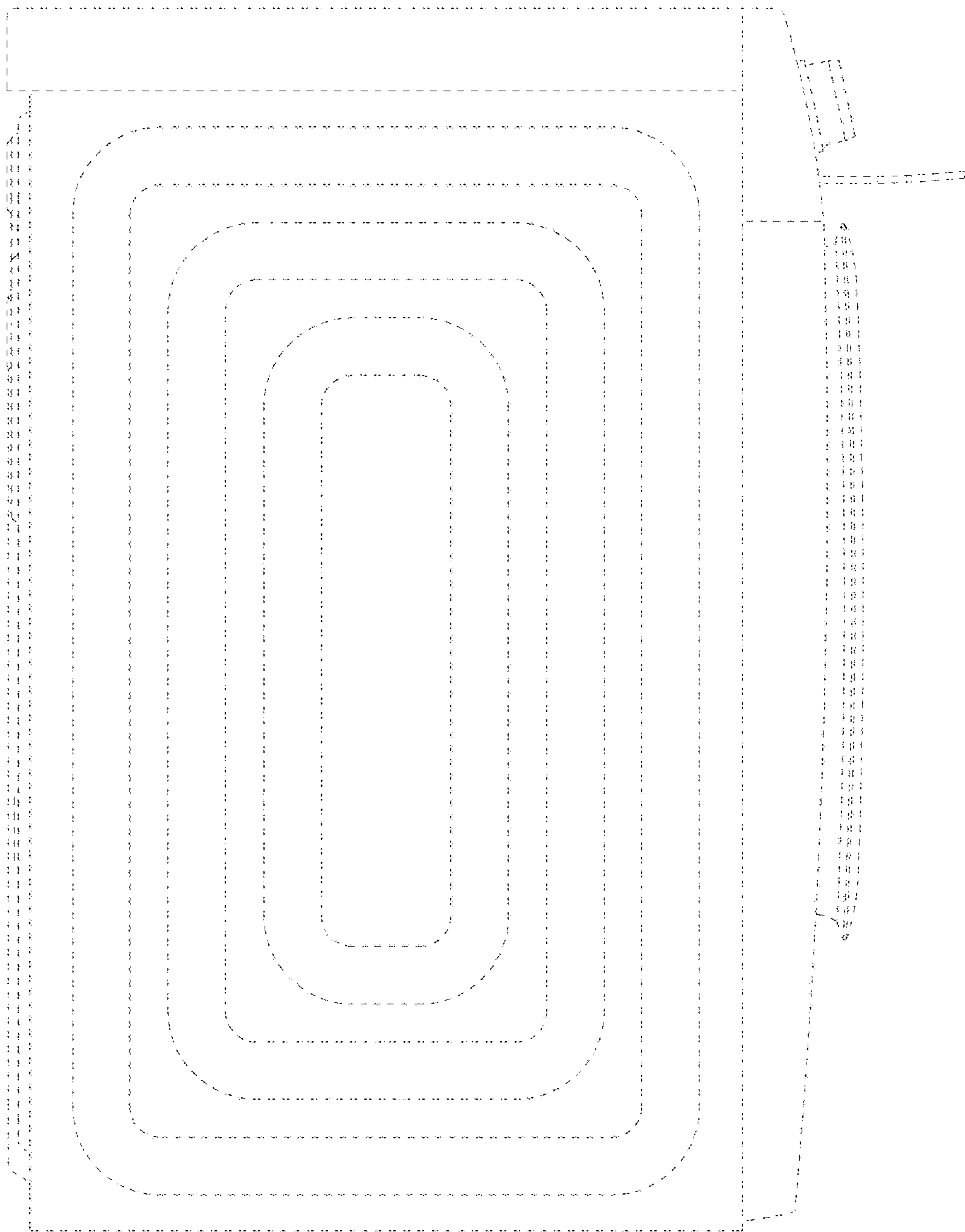


FIG. 5

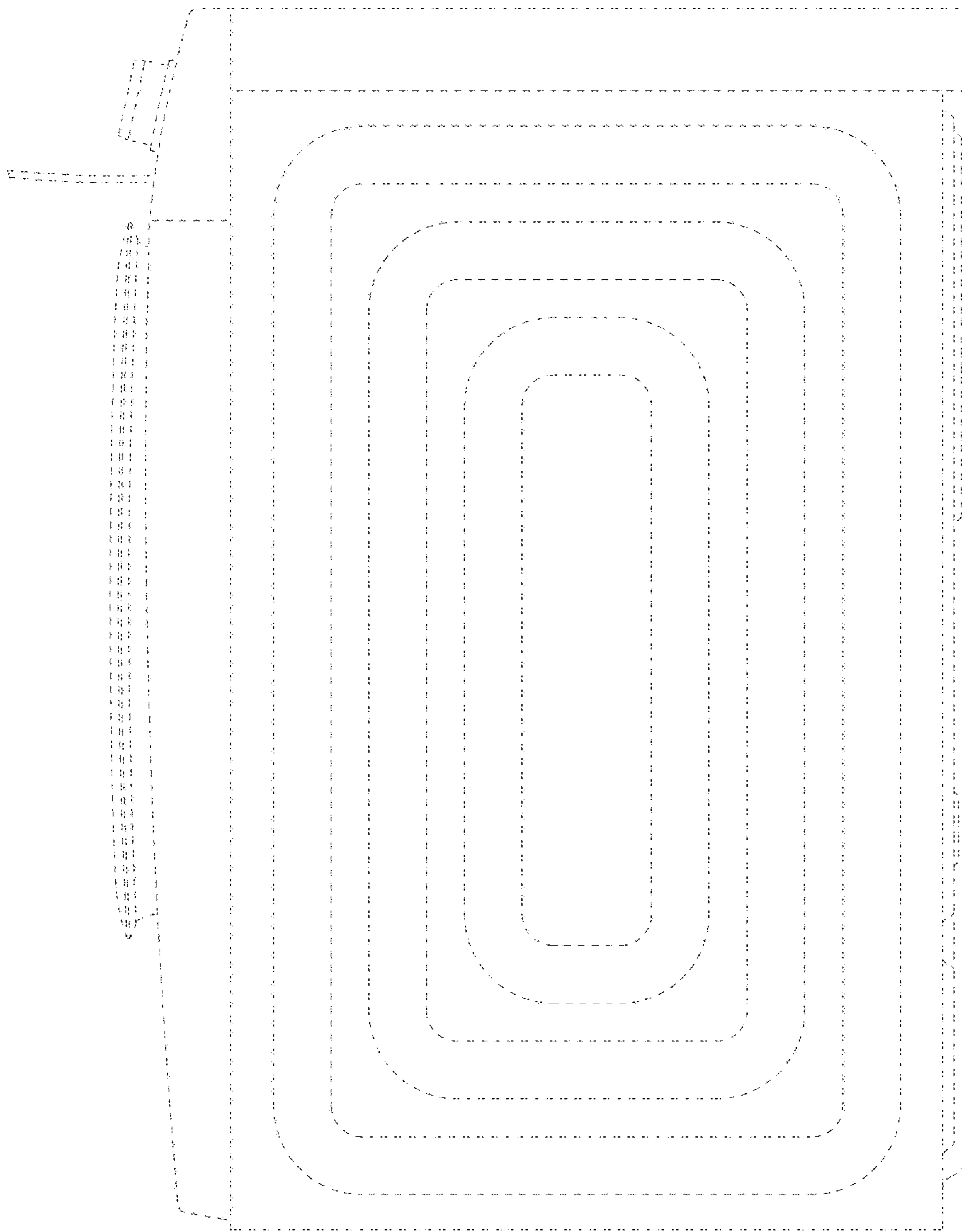


FIG. 6

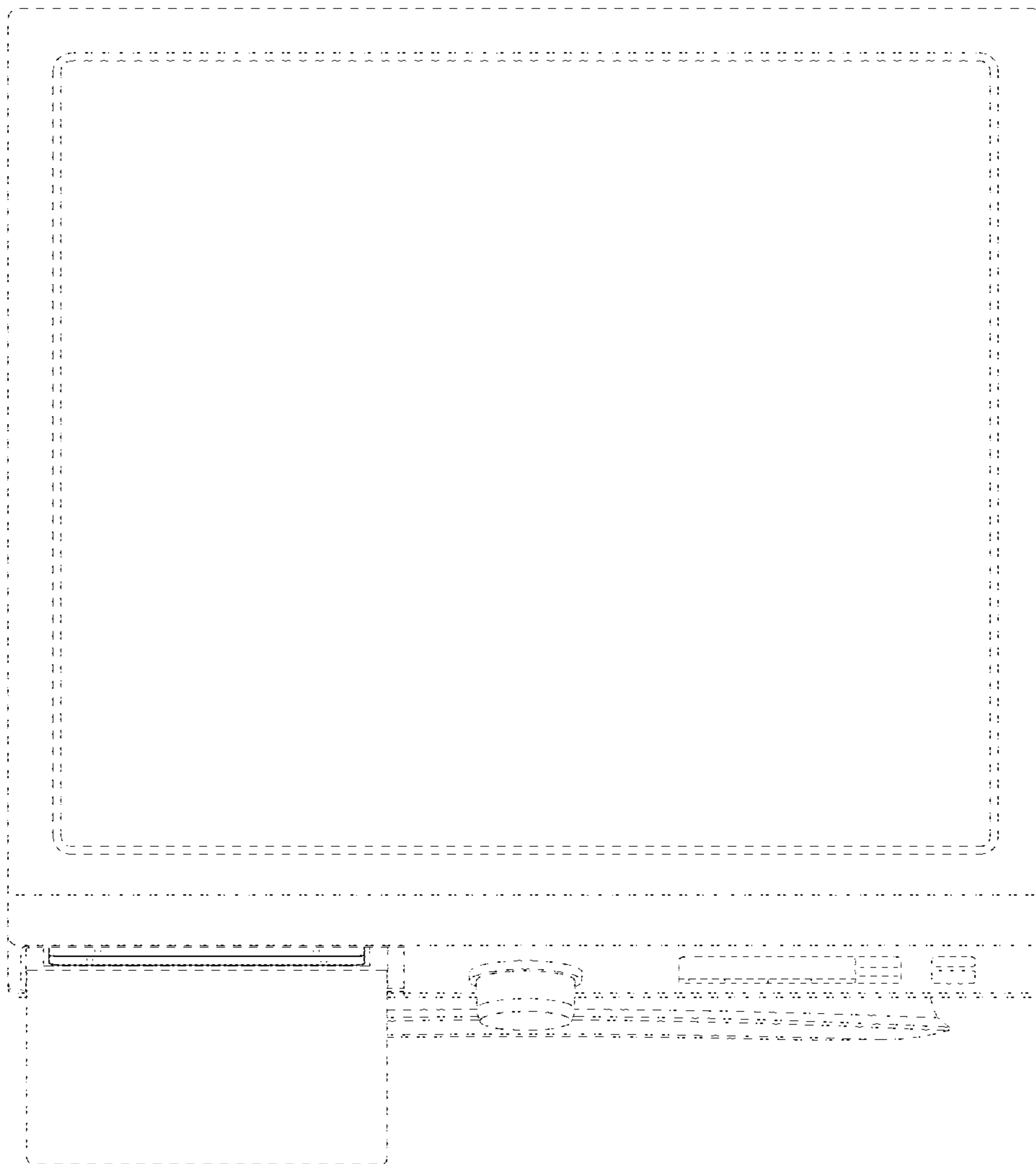


FIG. 7



FIG. 8

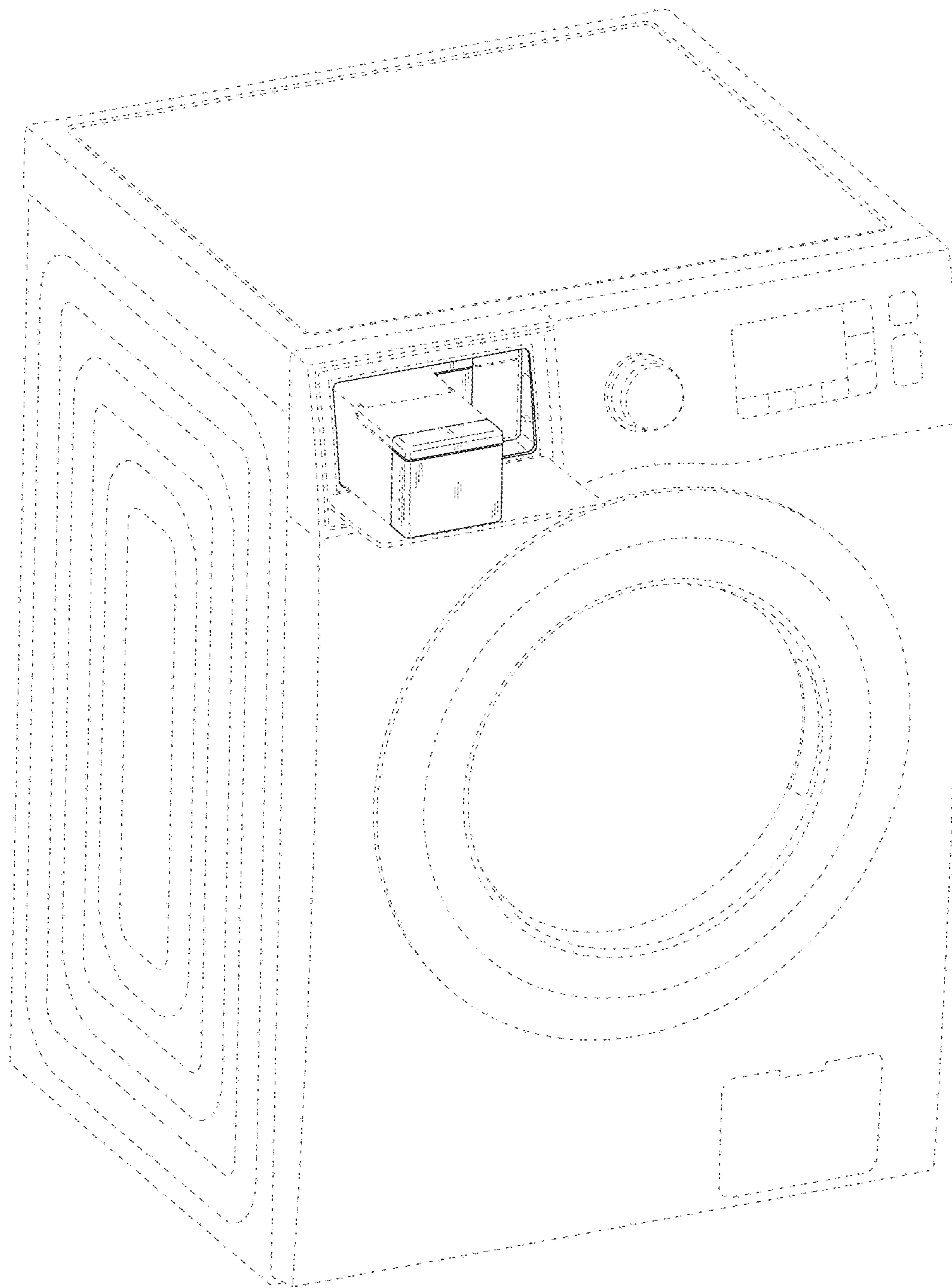


FIG. 9

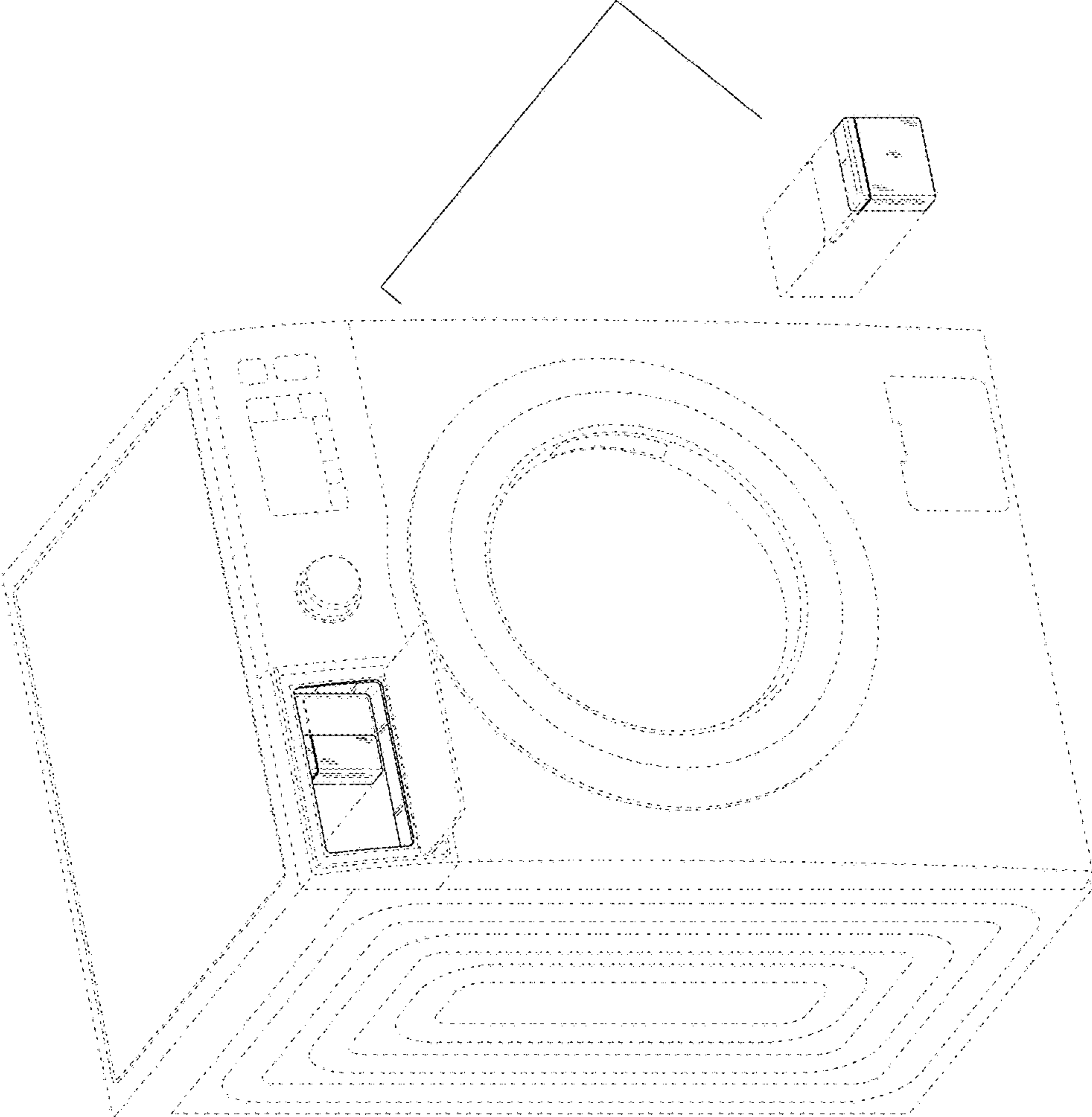


FIG. 10

