

US00D794267S

(12) **United States Design Patent** (10) **Patent No.:** **US D794,267 S**
Kang et al. (45) **Date of Patent:** **** Aug. 8, 2017**

(54) **DRUM WASHING MACHINE**
(71) Applicant: **SAMSUNG ELECTRONICS CO., LTD.**, Suwon-si (KR)
(72) Inventors: **Yoonjong Kang**, Seoul (KR); **Kisang Yoon**, Daejeon (KR); **Deoksang Yun**, Uiwang-si (KR); **Sanghun Yoon**, Seoul (KR); **Jaewon Choi**, Seoul (KR); **Junghoon Hwang**, Yongin-si (KR); **Seyoun Park**, Seoul (KR)

D648,907 S 11/2011 Jeon et al.
D649,722 S 11/2011 Chung et al.
D659,307 S * 5/2012 Geyer D32/6
D703,885 S * 4/2014 Ha D32/6
D703,886 S 4/2014 Ha et al.
D729,996 S * 5/2015 Hwang D32/6
D732,763 S * 6/2015 Hwang D32/6
D732,767 S 6/2015 Ha et al.

(Continued)

FOREIGN PATENT DOCUMENTS

KR 300860486 S 6/2016

OTHER PUBLICATIONS

Korean Office Action with English Translation for Application No. 30-2015-0066225 dated Mar. 18, 2016 enumerating the above reference.

Primary Examiner — Susan Bennett Hattan
Assistant Examiner — Rebecca Tsehaye
(74) *Attorney, Agent, or Firm* — Cantor Colburn LLP

(73) Assignee: **SAMSUNG ELECTRONICS CO., LTD.**, Gyeonggi-Do (KR)

(**) Term: **15 Years**

(21) Appl. No.: **29/568,270**

(22) Filed: **Jun. 16, 2016**

(30) **Foreign Application Priority Data**

Dec. 24, 2015 (KR) 30-2015-0066224

(51) **LOC (10) Cl.** **15-05**

(52) **U.S. Cl.**
USPC **D32/6**

(58) **Field of Classification Search**

USPC D32/1, 5, 6, 8, 10, 11, 25, 29; 68/27, 11, 68/38, 20, 3 R
CPC D06F 17/04; D06F 37/02; D06F 37/08; D06F 37/12; D06F 37/145; D06F 39/14; D06F 39/00; D06F 39/08; D06F 31/00; B08B 3/12

See application file for complete search history.

(56) **References Cited**

U.S. PATENT DOCUMENTS

D588,757 S * 3/2009 Park D32/6
D620,650 S * 7/2010 Lee D32/6
D625,476 S 10/2010 Lee et al.
D626,299 S * 10/2010 Lee D32/6

(57) **CLAIM**

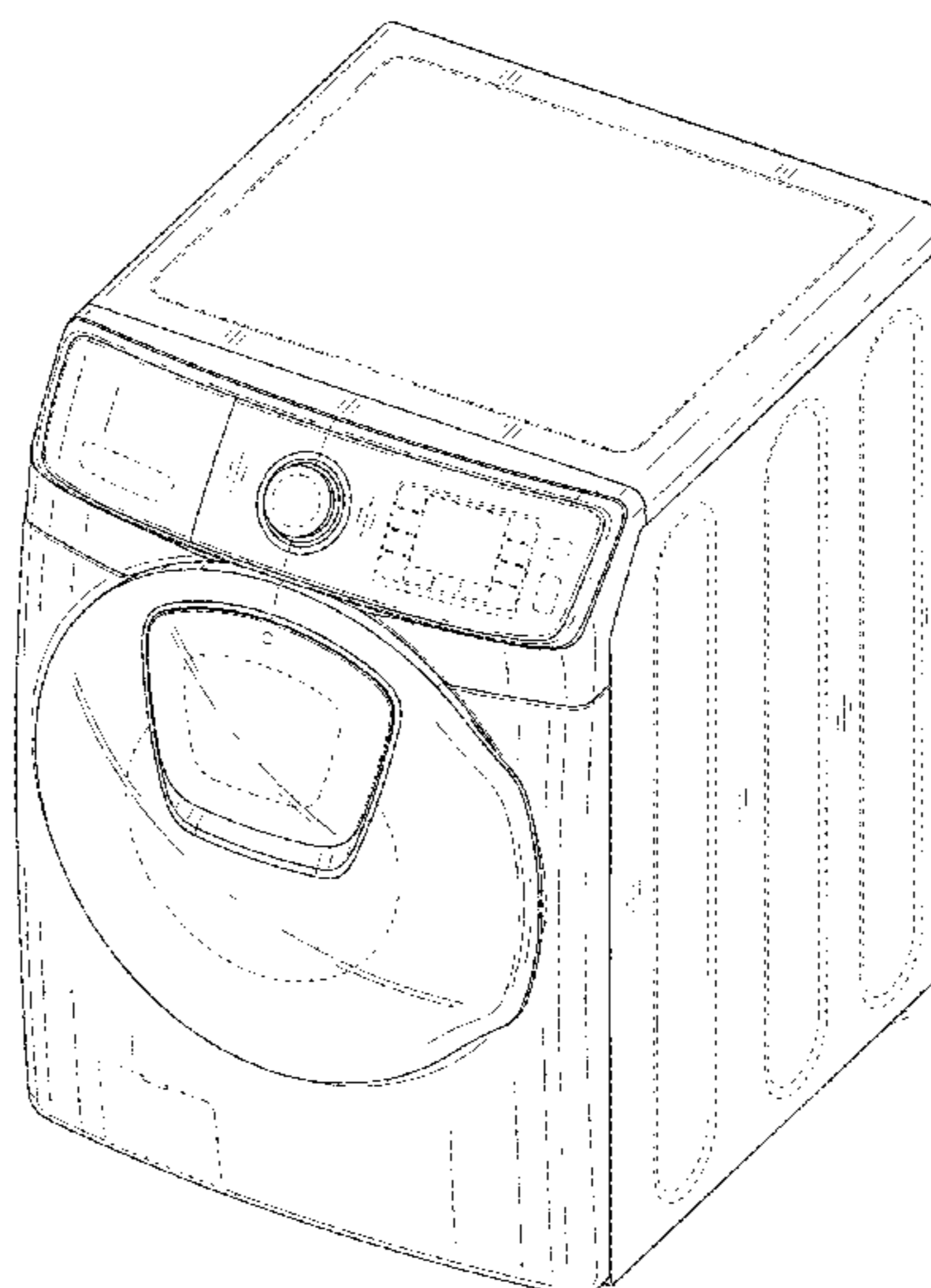
The ornamental design for a drum washing machine, as shown and described.

DESCRIPTION

FIG. 1 is a perspective view of a drum washing machine, showing our new design;
FIG. 2 is a front view thereof;
FIG. 3 is a rear view thereof;
FIG. 4 is a side view thereof;
FIG. 5 is another side view thereof;
FIG. 6 is a top view thereof;
FIG. 7 is a bottom view thereof; and,
FIG. 8 is another perspective view thereof in an alternate configuration.

The broken lines in the figures illustrating portions of the drum washing machine form no part of the claimed design.

1 Claim, 8 Drawing Sheets



(56)

References Cited

U.S. PATENT DOCUMENTS

D739,097	S	9/2015	Qin et al.	
D770,705	S	* 11/2016	Kang	D32/6
D772,499	S	11/2016	Yoon et al.	
D772,500	S	* 11/2016	Park	D32/6
D772,502	S	* 11/2016	Yun	D32/6
D773,128	S	* 11/2016	Kim	D32/6
D773,753	S	* 12/2016	Kim	D32/6
D773,754	S	* 12/2016	Choi	D32/6
D774,714	S	* 12/2016	Kang	D32/6

* cited by examiner

FIG. 1

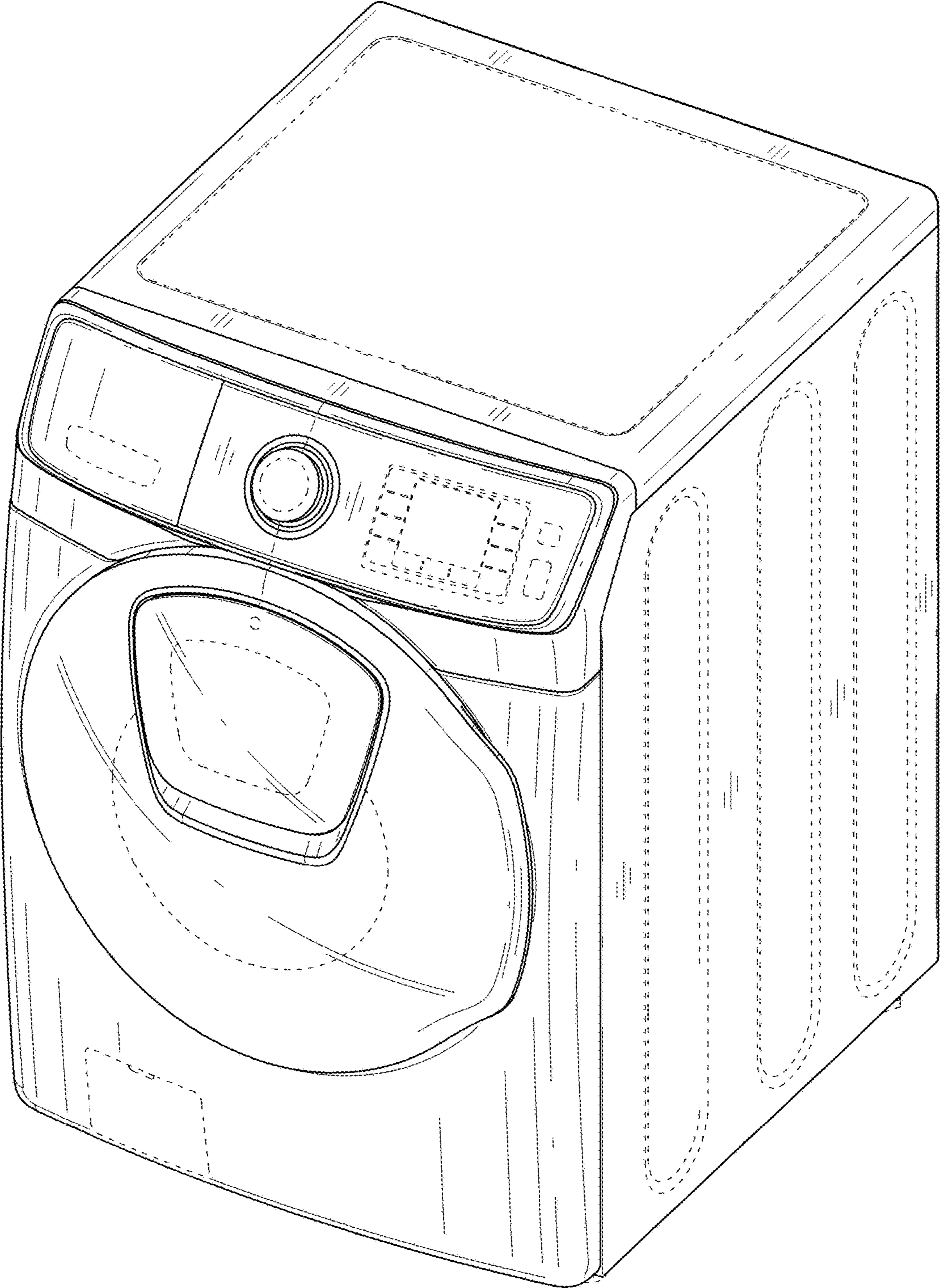


FIG. 2

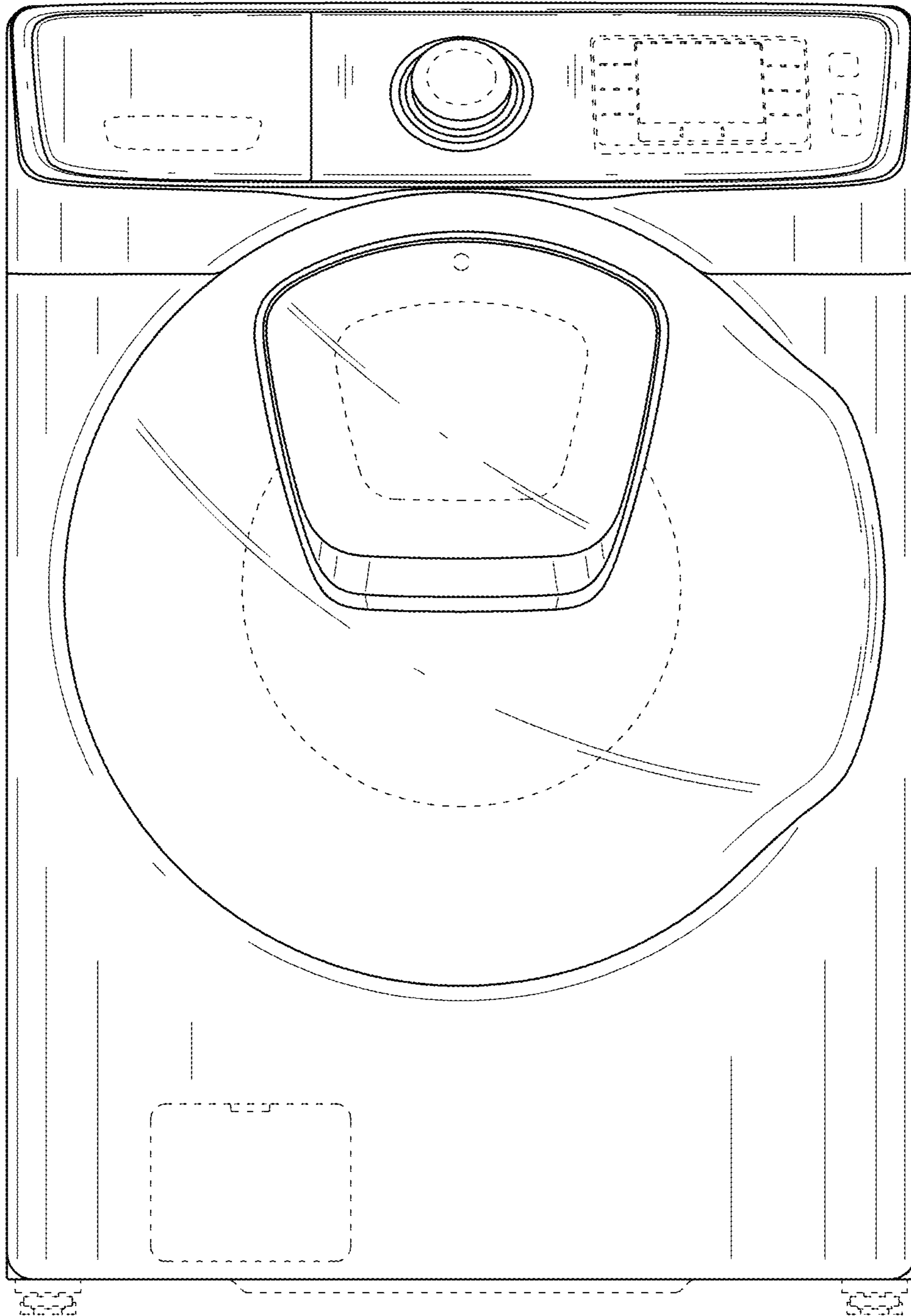


FIG. 3

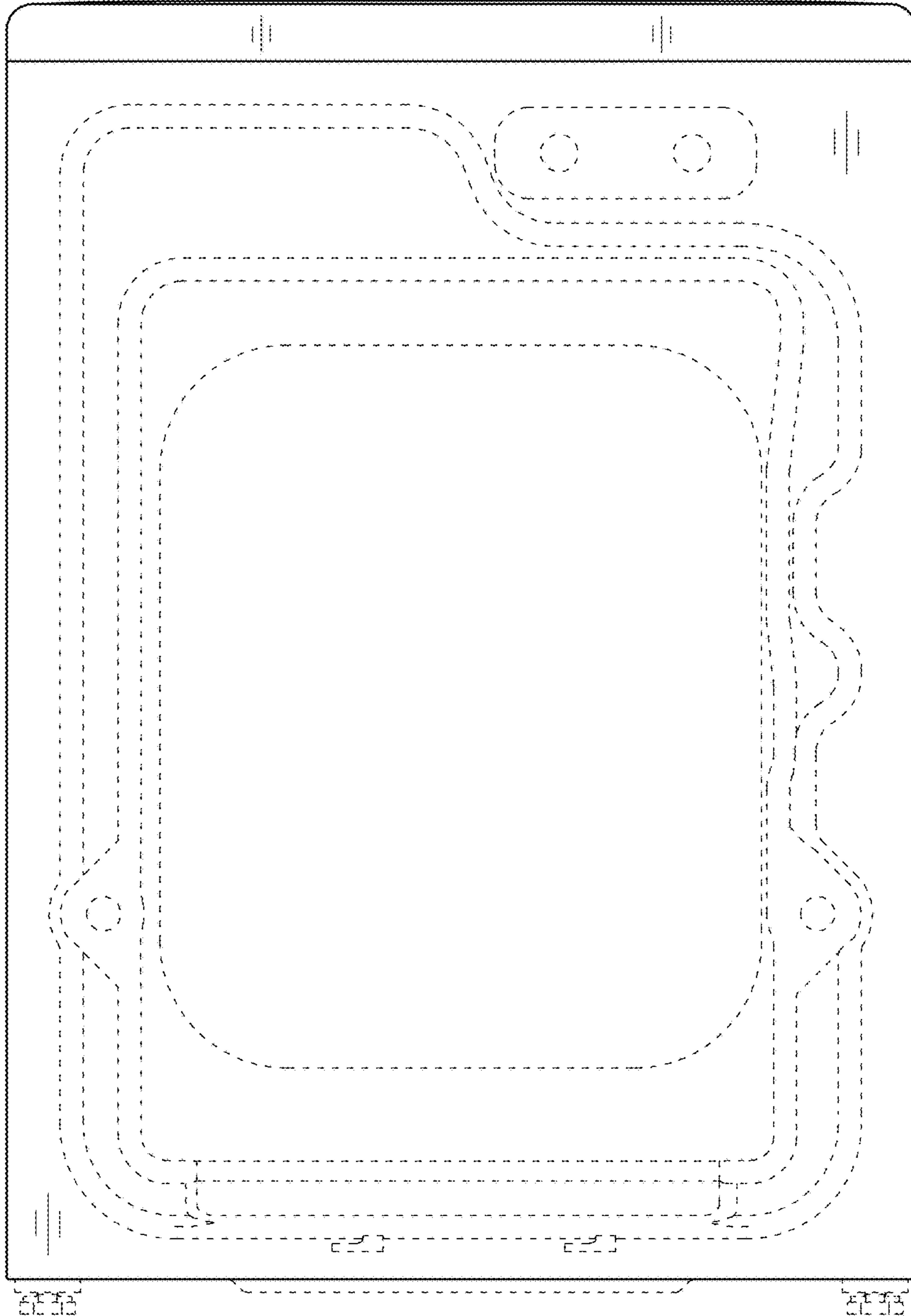


FIG. 4

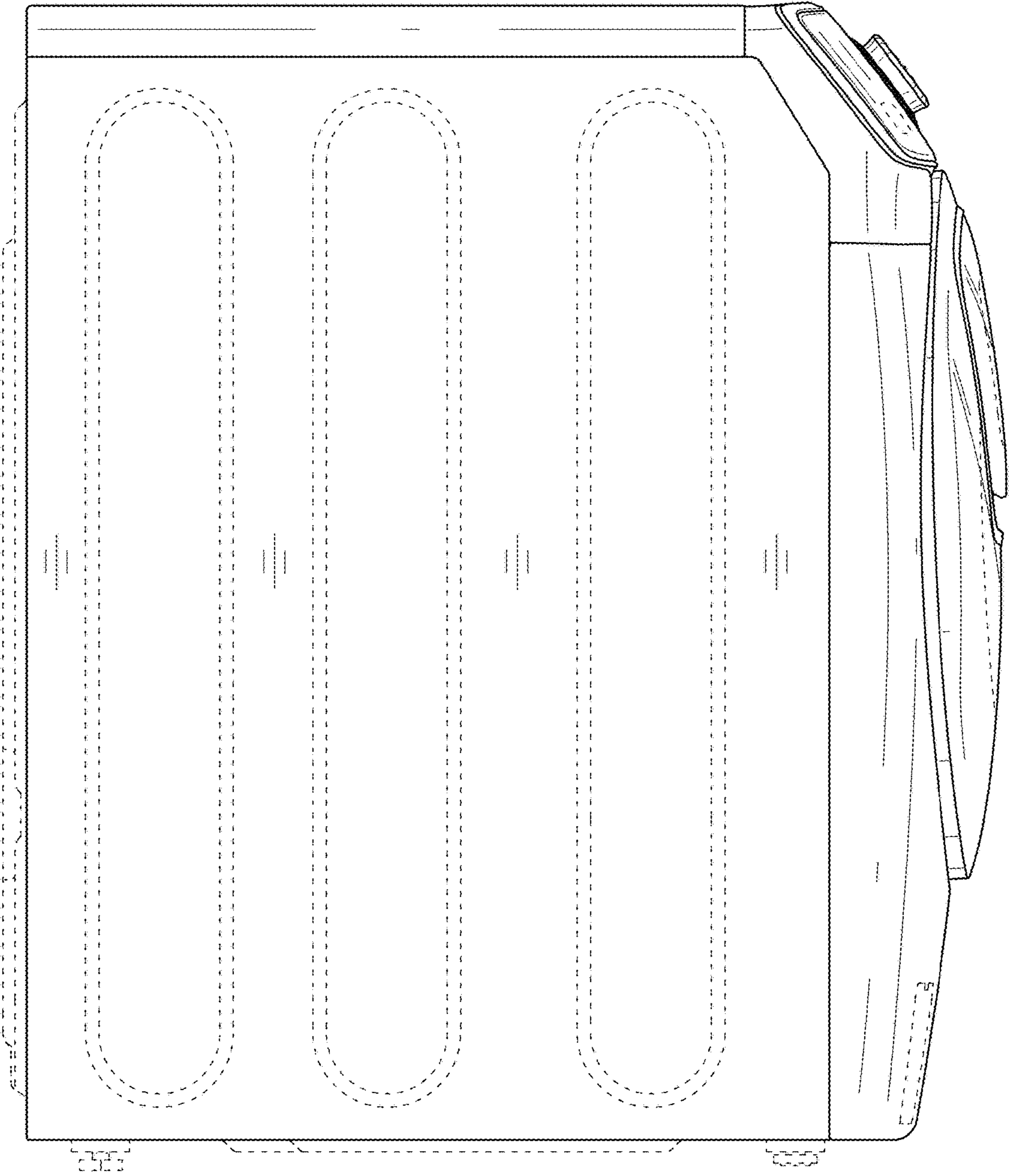


FIG. 5

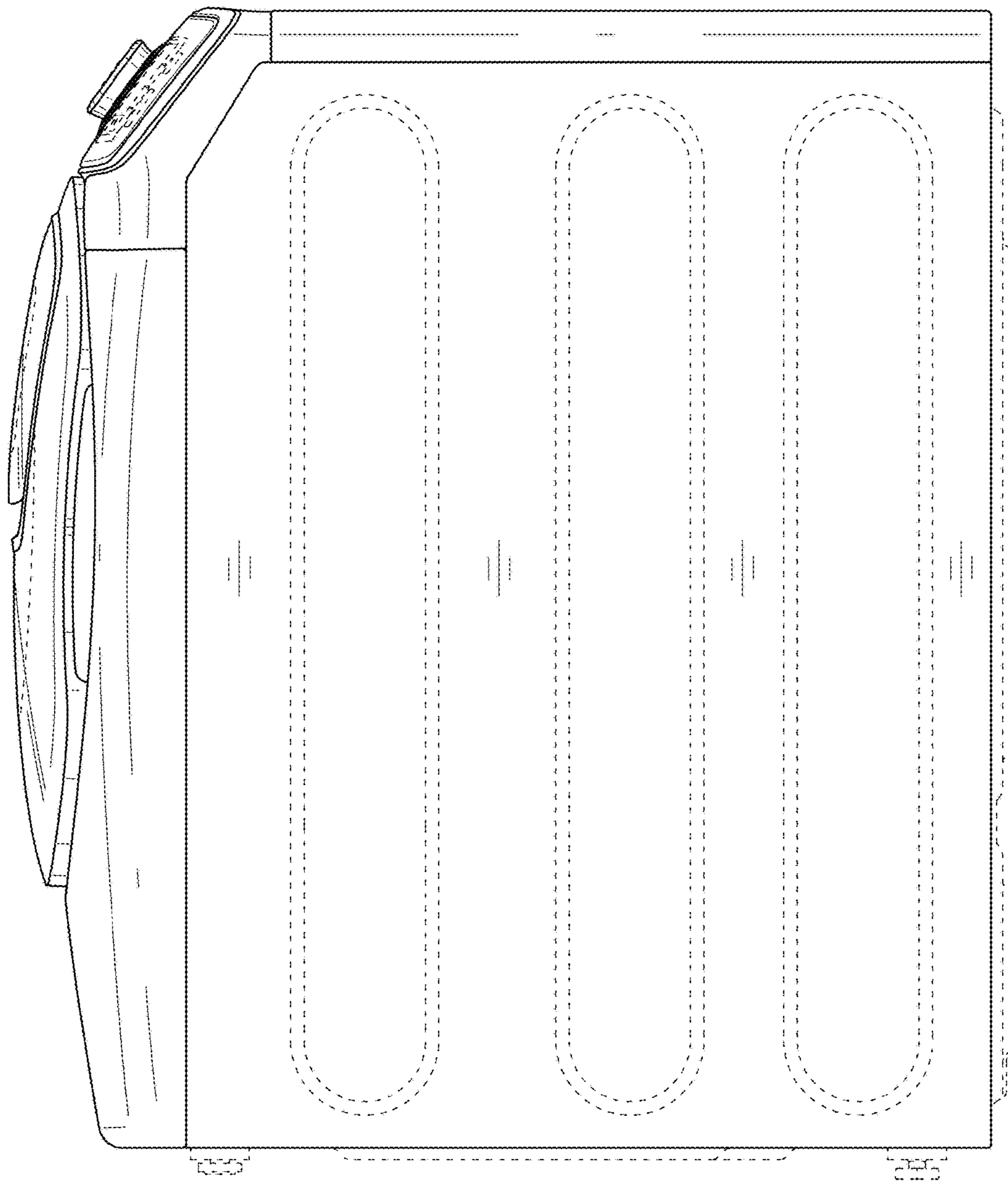


FIG. 6

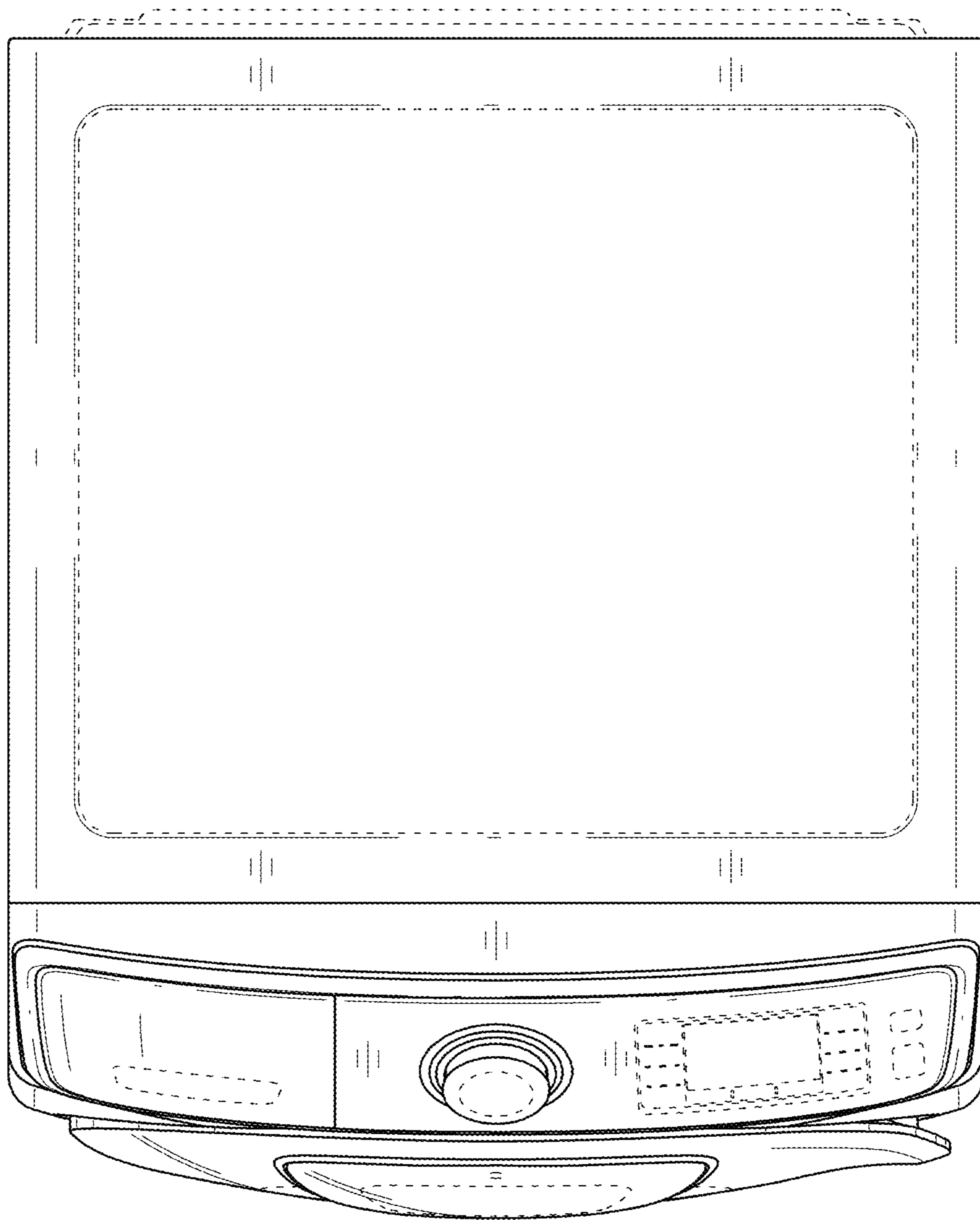


FIG. 7

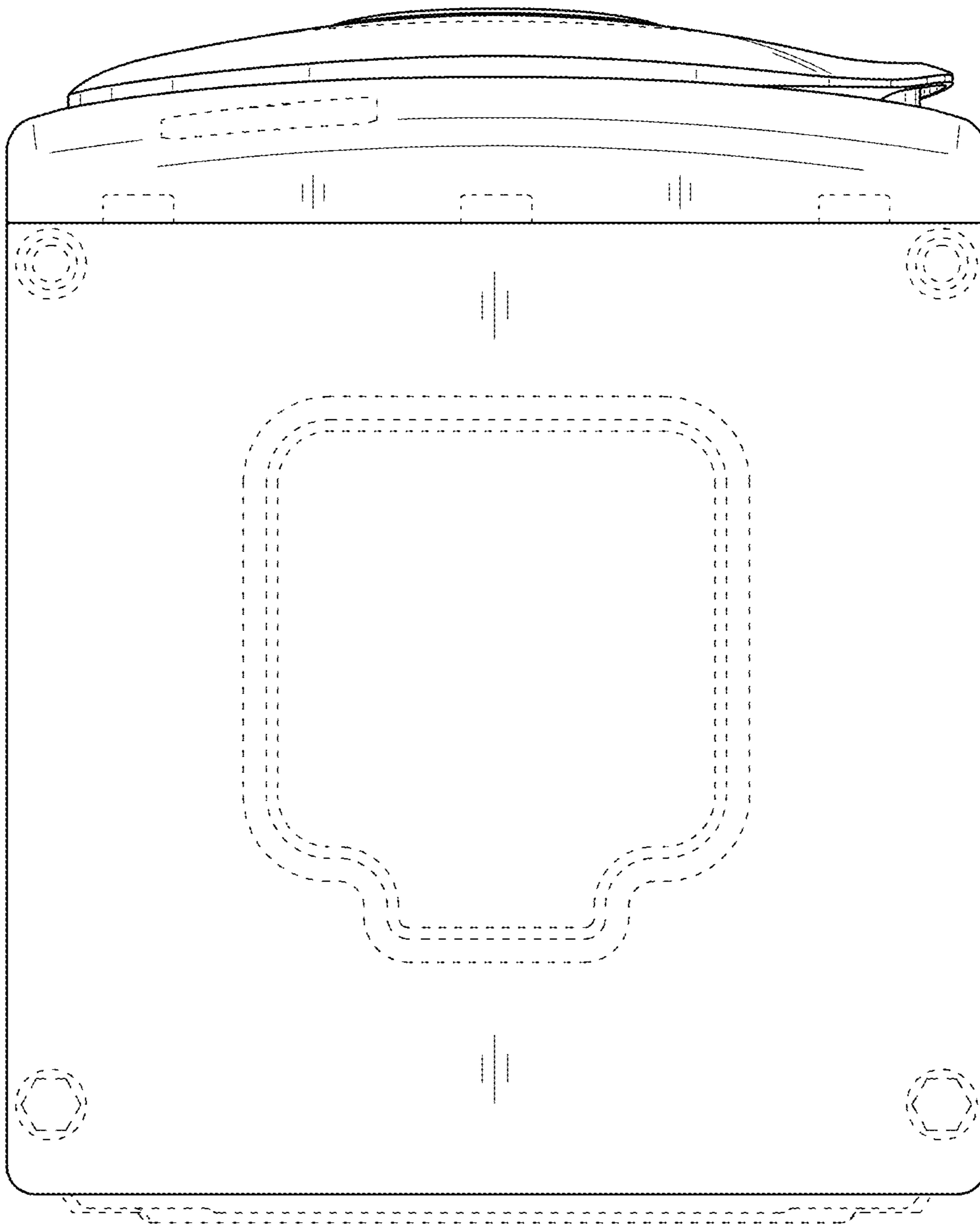


FIG. 8

