



US00D794266S

(12) **United States Design Patent**  
**Yoon et al.**

(10) **Patent No.:** **US D794,266 S**  
(45) **Date of Patent:** **\*\* Aug. 8, 2017**

(54) **WASHING MACHINE**  
(71) Applicant: **Samsung Electronics Co., Ltd.**,  
Suwon-si (KR)  
(72) Inventors: **Kisang Yoon**, Daejeon (KR); **Yoonjong Kang**, Seoul (KR)  
(73) Assignee: **Samsung Electronics Co., Ltd.**,  
Suwon-si (KR)

8,240,175 B2 \* 8/2012 Kim ..... D06F 39/005  
312/228.1  
D735,424 S \* 7/2015 Ha ..... D32/6  
D738,582 S \* 9/2015 Chung ..... D32/6  
D739,097 S \* 9/2015 Qin ..... D32/6  
D770,702 S \* 11/2016 Yun ..... D32/6  
D770,703 S \* 11/2016 Yun ..... D32/6  
D770,705 S \* 11/2016 Kang ..... D32/6  
D772,499 S \* 11/2016 Yoon ..... D32/6  
D772,501 S \* 11/2016 Yun ..... D32/6  
D773,754 S \* 12/2016 Choi ..... D32/6  
D773,759 S \* 12/2016 Yun ..... D32/25  
D774,714 S \* 12/2016 Kang ..... D32/6

(\*\*) Term: **15 Years**

**FOREIGN PATENT DOCUMENTS**

(21) Appl. No.: **29/550,507**  
(22) Filed: **Jan. 5, 2016**

EM 001347207-0004 10/2012  
KR 30-2012-0024840 3/2014  
KR 30-2013-0065759 9/2014

(30) **Foreign Application Priority Data**

\* cited by examiner

Jul. 17, 2015 (KR) ..... 30-2015-0036138

*Primary Examiner* — Susan Bennett Hattan  
*Assistant Examiner* — Rebecca Tsehaye  
(74) *Attorney, Agent, or Firm* — NSIP Law

(51) **LOC (10) Cl.** ..... **15-05**

(52) **U.S. Cl.**  
USPC ..... **D32/6**

(57) **CLAIM**

(58) **Field of Classification Search**

We claim the ornamental design for a washing machine, as shown and described.

USPC ..... D32/1, 5, 6, 8, 10, 11, 25, 29; D6/349,  
D6/352, 559, 560; D3/273, 297, 307;  
D14/485, 488, 489; 312/228; 68/27, 11,  
68/38, 20, 3 R

**DESCRIPTION**

CPC ..... D06F 17/04; D06F 37/02; D06F 37/08;  
D06F 37/12; D06F 37/145; D06F 39/14;  
D06F 39/00; D06F 39/08; D06F 31/00;  
B08B 3/12

FIG. 1 is a front perspective view of a washing machine showing our new design;  
FIG. 2 is a front view thereof;  
FIG. 3 is a rear view thereof;  
FIG. 4 is a left-side view thereof;  
FIG. 5 is a right-side view thereof;  
FIG. 6 is a top view thereof; and,  
FIG. 7 is a bottom view thereof.

See application file for complete search history.

The broken lines in the figures show portions of the washing machine which form no part of the claimed design.

(56) **References Cited**

**U.S. PATENT DOCUMENTS**

D575,913 S \* 8/2008 Jeon ..... D32/6  
7,905,120 B2 \* 3/2011 Mamiya ..... D06F 25/00  
68/5 C

**1 Claim, 7 Drawing Sheets**

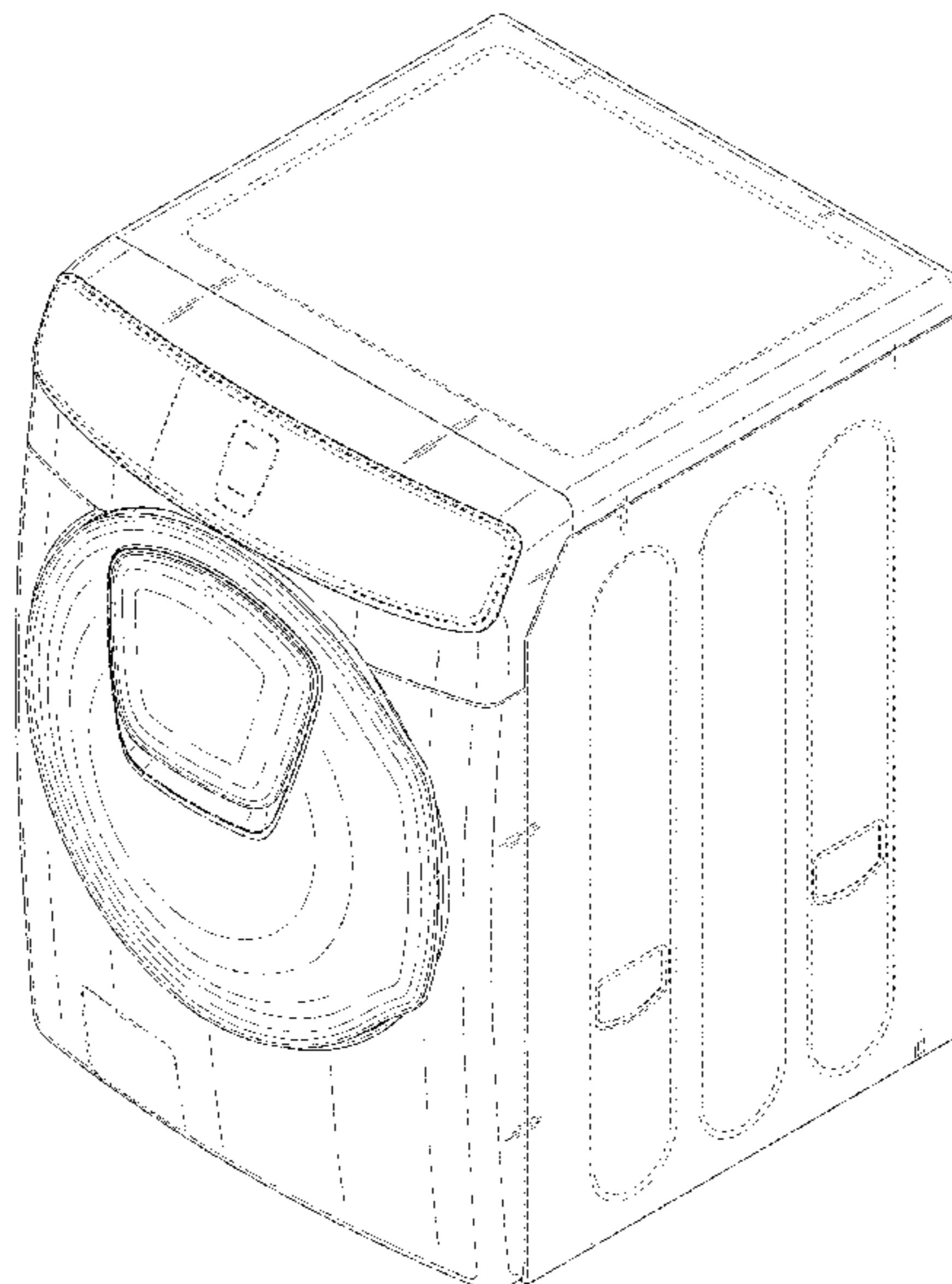


FIG. 1

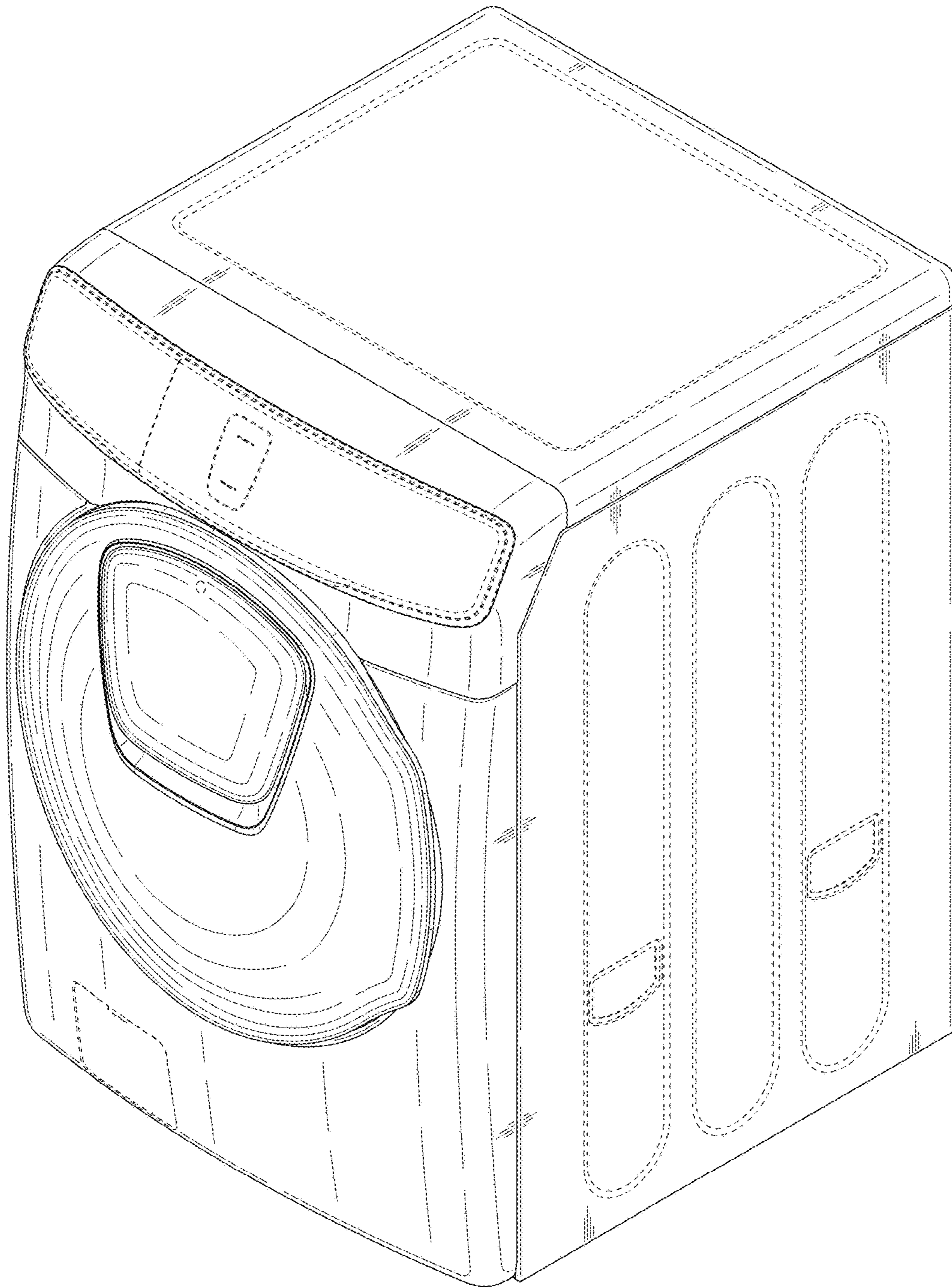


FIG. 2

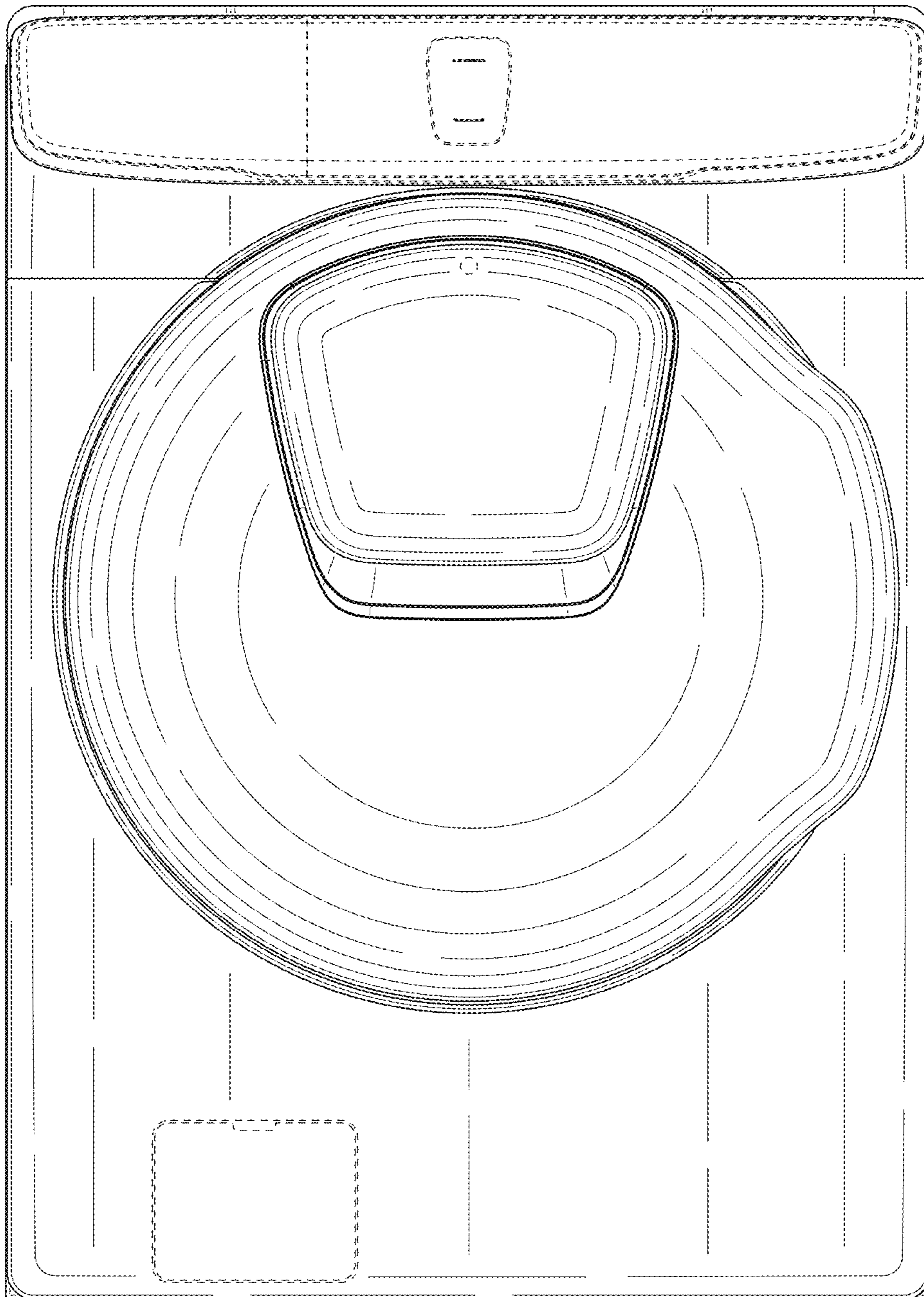


FIG. 3

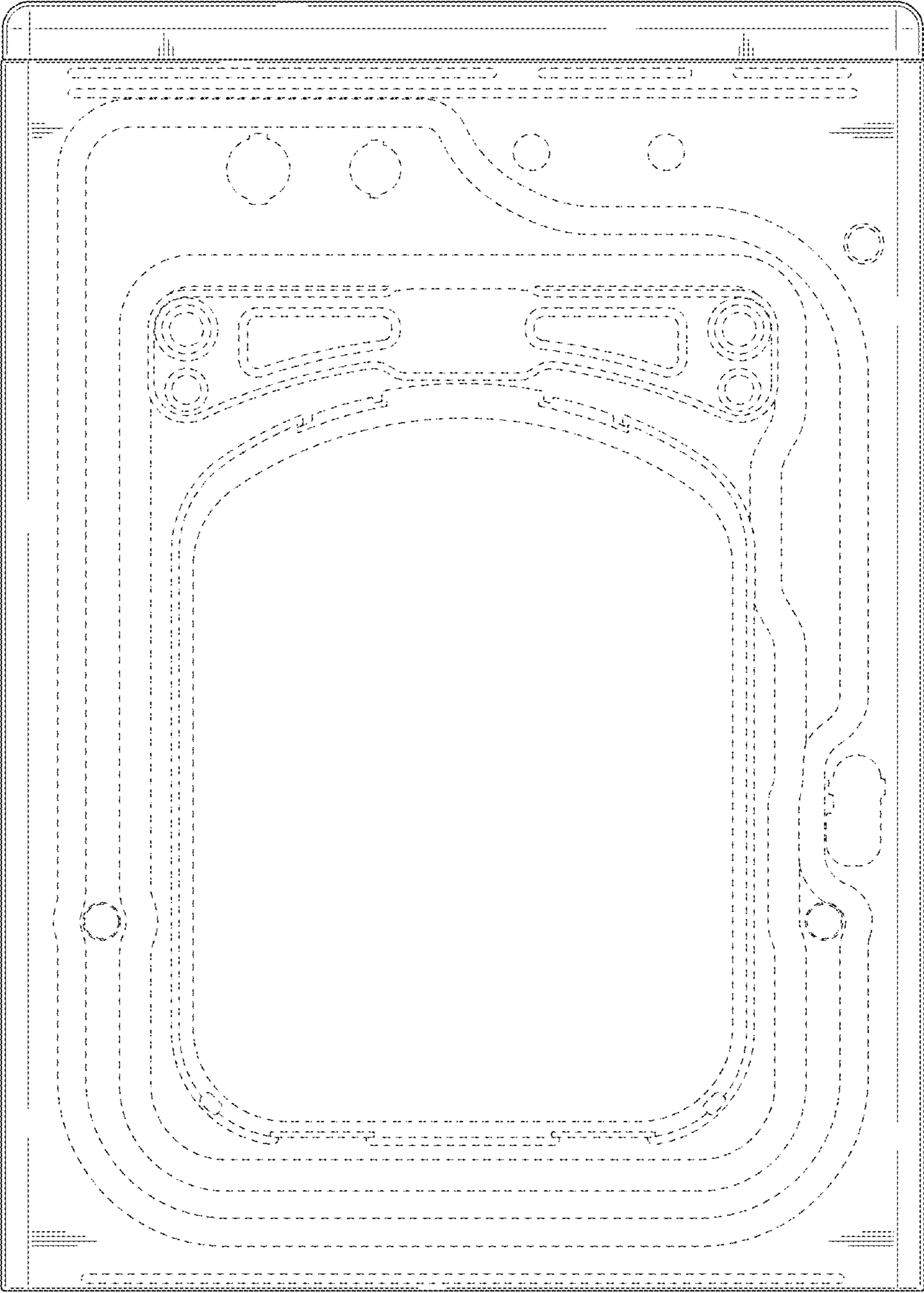


FIG. 4

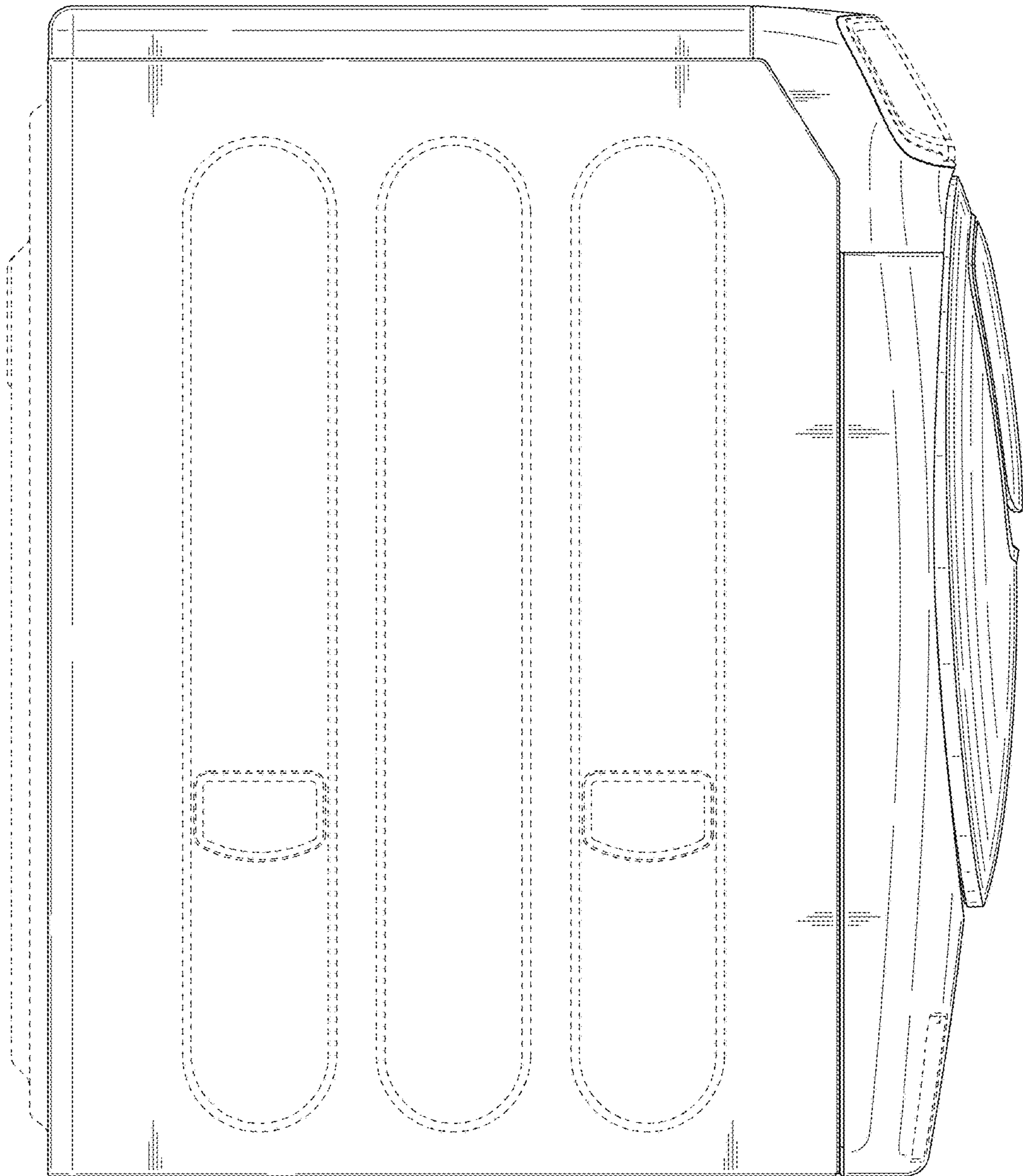


FIG. 5

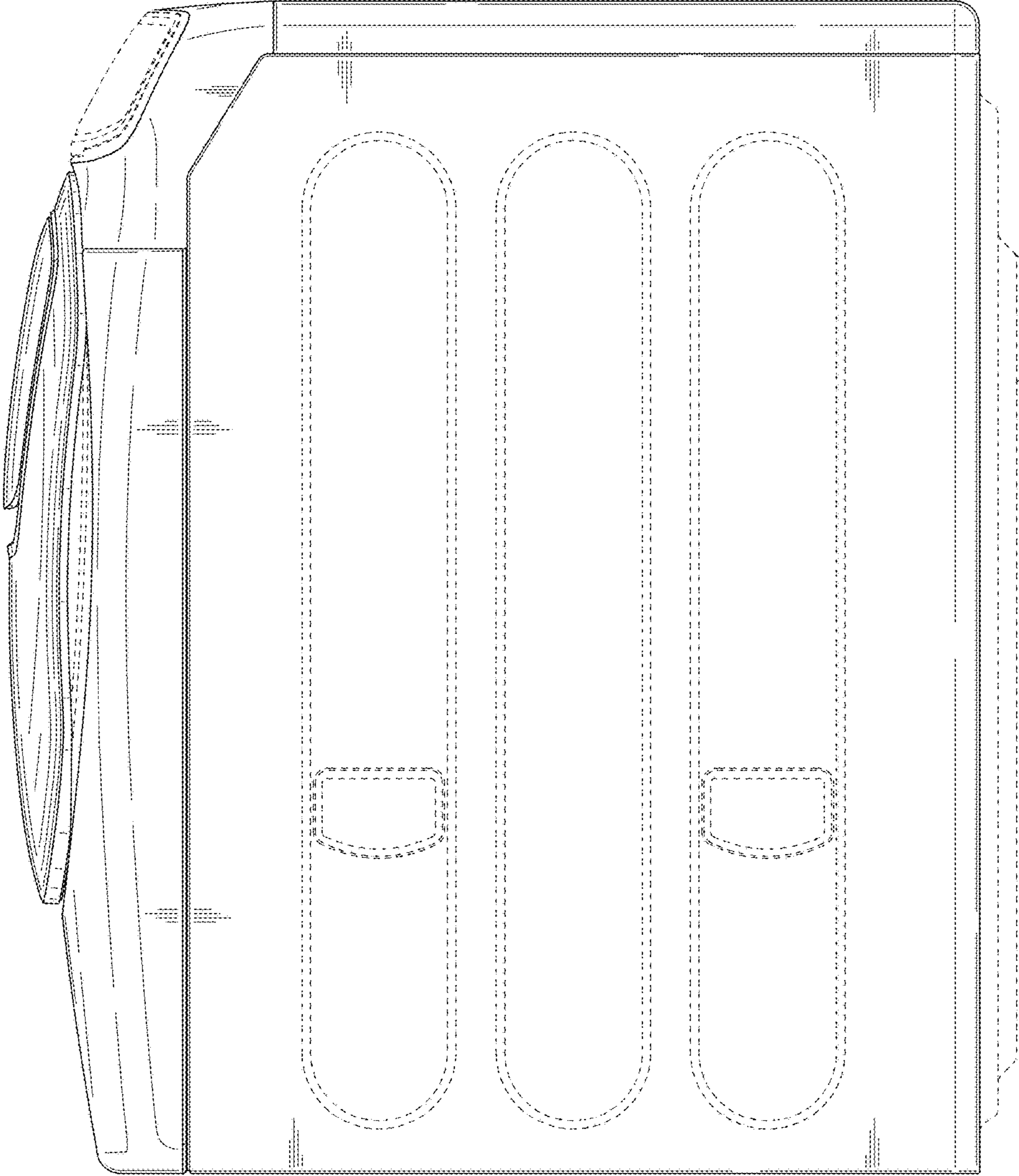


FIG. 6

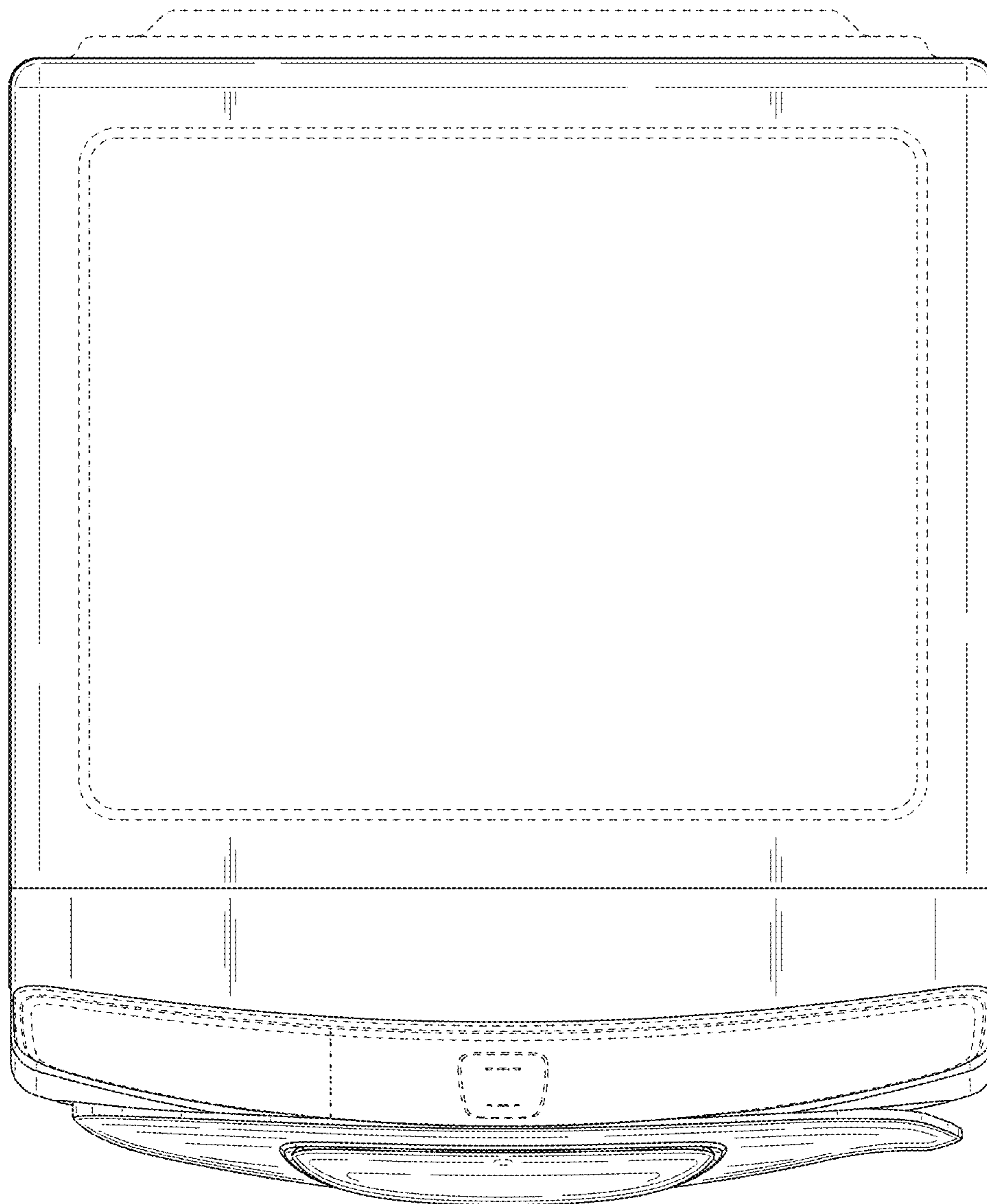


FIG. 7

