



US00D794260S

(12) **United States Design Patent** (10) **Patent No.:** **US D794,260 S**
Tanumihardja (45) **Date of Patent:** **** Aug. 8, 2017**

(54) **PET FEEDER**
(71) Applicant: **Dripmodule, LLC**, Oklahoma City, OK (US)
(72) Inventor: **Endjang Tanumihardja**, Oklahoma City, OK (US)
(**) Term: **15 Years**
(21) Appl. No.: **29/556,113**
(22) Filed: **Feb. 26, 2016**
(51) **LOC (10) Cl.** **30-03**
(52) **U.S. Cl.**
USPC **D30/133**
(58) **Field of Classification Search**
USPC D30/133, 121, 128, 130, 132; 119/52.1, 119/55, 61.5-61.56; D6/480-485; 248/188; 312/204; 108/153.1-157
CPC A01K 5/00; A01K 5/01; A01K 5/0107; A01K 5/0114; A01K 5/0121; A01K 5/0128; A01K 5/0135; A01K 7/005; A01K 7/00; A01K 1/10; A01K 1/0356; A01K 1/0135; A01K 39/014; A01K 29/00
See application file for complete search history.

D212,161 S * 9/1968 Robert D30/133
D213,377 S * 2/1969 Robert D30/133
D221,795 S * 9/1971 Jenks 248/315
3,661,121 A * 5/1972 Zielin A01K 5/0114
119/61.57
4,205,629 A * 6/1980 Wix A01K 5/0114
119/51.5
4,256,175 A * 3/1981 Strickland F24J 2/541
126/600
4,399,772 A * 8/1983 Salinas A01K 5/0142
119/51.5
D282,704 S * 2/1986 Burnett D30/133
5,000,124 A * 3/1991 Bergen A01K 5/0114
119/63
D352,424 S * 11/1994 Asner D7/600
D357,557 S * 4/1995 Piper 248/206.1
5,501,176 A * 3/1996 Tully A01K 5/0114
119/61.57

(Continued)

Primary Examiner — Susan Moon Lee
(74) *Attorney, Agent, or Firm* — Dunlap Coddling, P.C.

(57) **CLAIM**

The ornamental design for a pet feeder, as shown and described.

DESCRIPTION

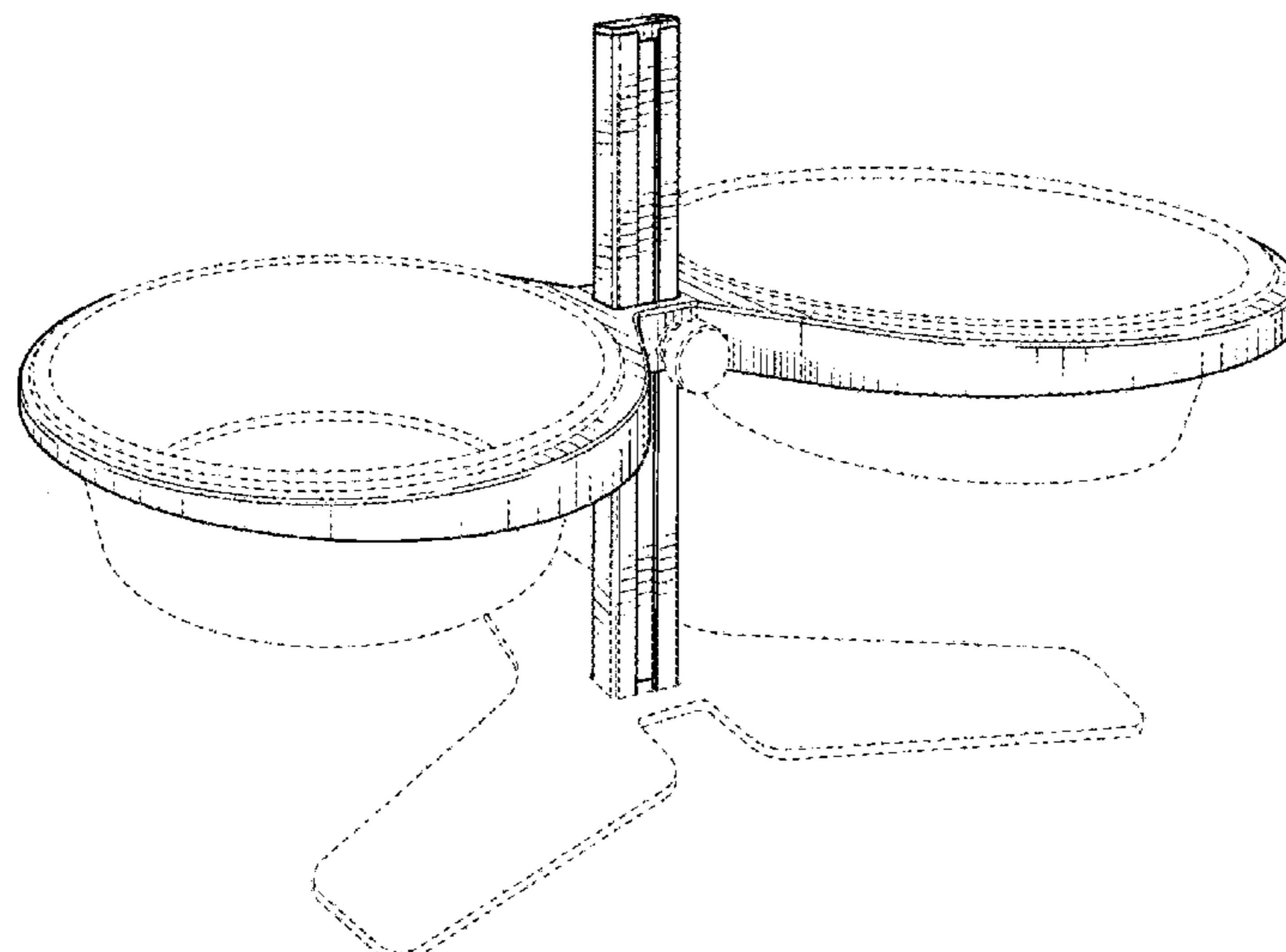
FIG. 1 is a perspective view of a pet feeder showing my new design.
FIG. 2 is a front elevational view thereof.
FIG. 3 is a rear elevational view thereof.
FIG. 4 is a right side view thereof;
FIG. 5 is a left side view thereof;
FIG. 6 is a top plan view thereof; and,
FIG. 7 is a bottom plan view thereof.
The broken lines and unshaded portions contained within the broken lines depict exemplary elements of the pet feeder that are shown for illustrative purposes only and that form no part of the claimed design.

1 Claim, 4 Drawing Sheets

(56) **References Cited**

U.S. PATENT DOCUMENTS

434,514 A * 8/1890 Lamb B65B 67/12
248/100
D20,134 S * 9/1890 Alden 211/74
1,647,069 A * 10/1927 Ahlman A01K 5/01
119/61.57
1,879,332 A * 9/1932 Kulp A01K 1/0356
119/464
2,320,828 A * 6/1943 Murphy A01K 5/0114
119/61.1
2,331,511 A * 10/1943 Schiffman A01M 1/2005
119/346
2,837,305 A * 6/1958 Andren B44D 3/14
126/30



(56)

References Cited

U.S. PATENT DOCUMENTS

D375,819 S *	11/1996	Benson	D30/133	D565,254 S *	3/2008	Modi	D30/133
5,743,212 A *	4/1998	Forjohn	A01K 45/002	8,001,931 B2 *	8/2011	Deese	A01K 5/0142
				119/69.5					119/51.01
5,924,659 A *	7/1999	Babcock	A47G 23/0241	D682,483 S *	5/2013	Silverman	D30/129
				248/106	D695,974 S *	12/2013	Young	D30/130
D421,160 S *	2/2000	Akopdjanov	D30/133	8,776,725 B1 *	7/2014	Grijalva	A01K 5/0114
D424,758 S *	5/2000	Akopdjanov	D30/129					119/51.01
D437,979 S *	2/2001	Lian	D30/119	D711,052 S *	8/2014	Lee	A01K 5/0114
D447,012 S *	8/2001	Owens	D7/620					D30/121
7,059,271 B2 *	6/2006	Santa Cruz	A01K 5/01	D720,896 S *	1/2015	Chang	D30/130
				119/51.03	9,144,225 B1 *	9/2015	Gaccione	A01K 5/0114
7,219,623 B2 *	5/2007	Flowers	A01K 7/00	2005/0072366 A1 *	4/2005	Hammer	A01K 5/0114
				119/61.57					119/61.57
7,261,264 B2 *	8/2007	Moran	A01K 1/0356	2010/0147224 A1 *	6/2010	Aletti	B66F 11/00
				24/573.11					119/61.57
7,267,254 B2 *	9/2007	Perez	A45F 5/00	2012/0234250 A1 *	9/2012	Shamoon	A01K 5/0114
				224/242					119/61.57
7,318,391 B2 *	1/2008	Brillon	A01K 5/0114	2012/0256069 A1 *	10/2012	Fallows	F16M 11/046
				119/51.5					248/295.11
					2013/0112146 A1 *	5/2013	Johnson	A01K 5/00
									119/51.5

* cited by examiner

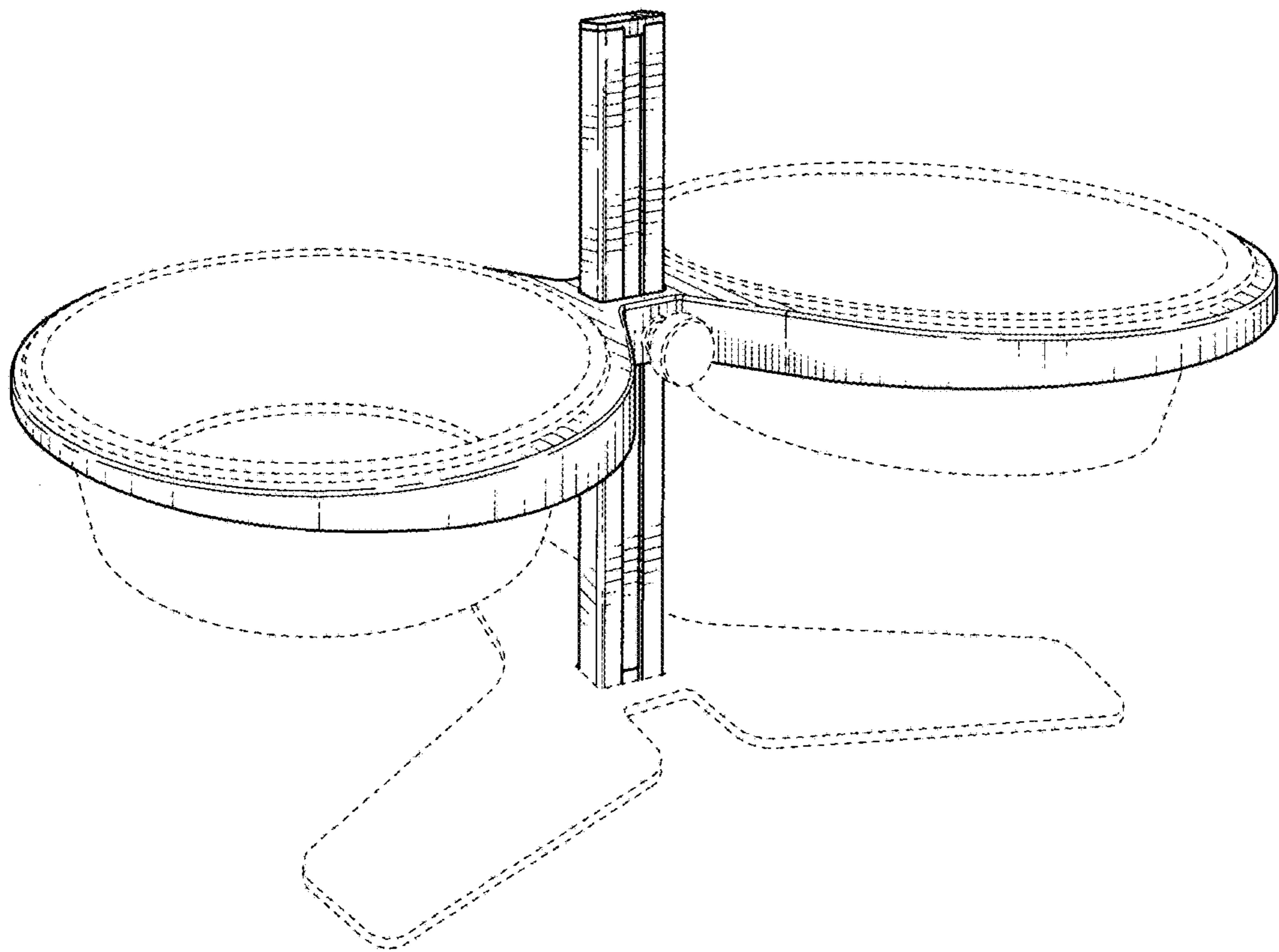


FIG. 1

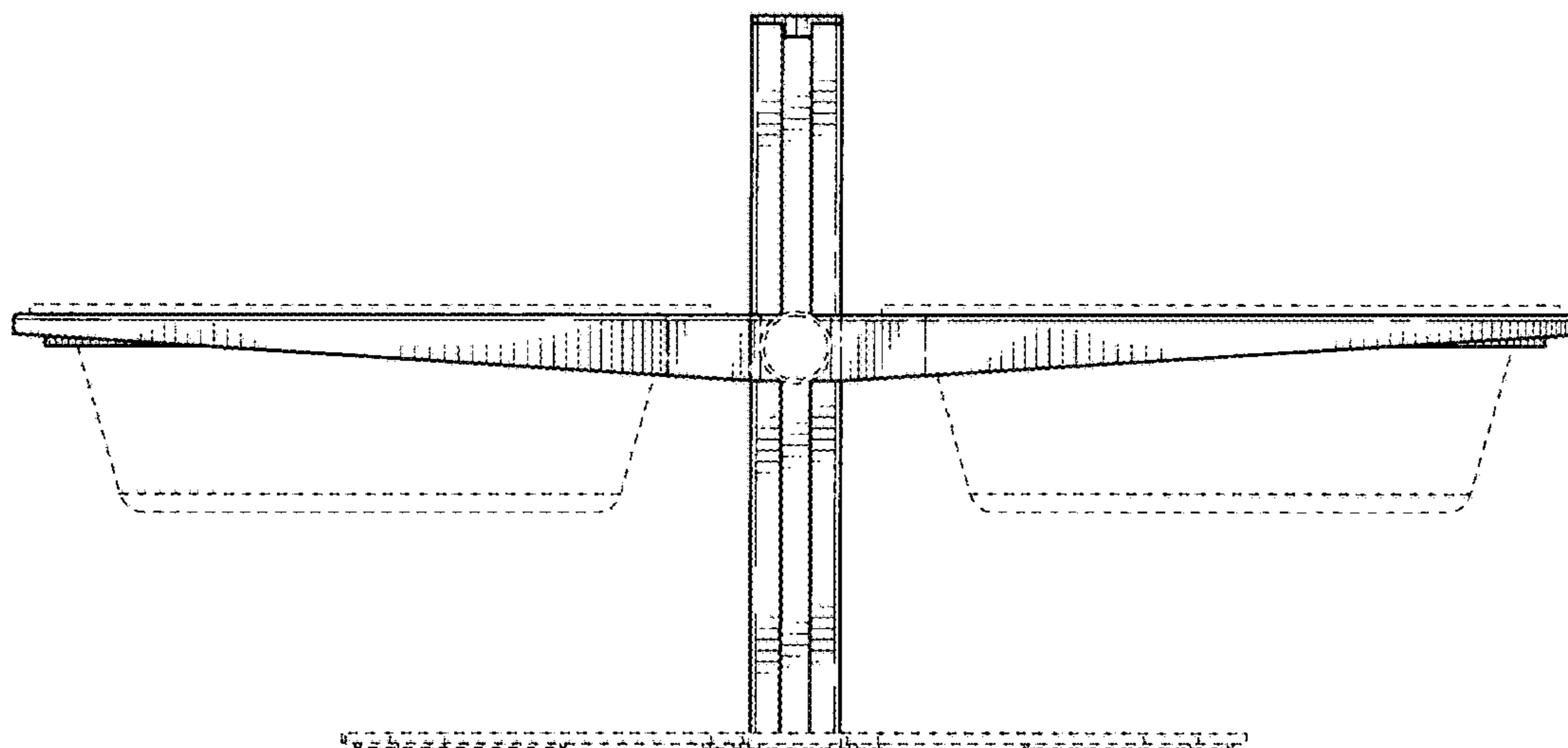


FIG. 2

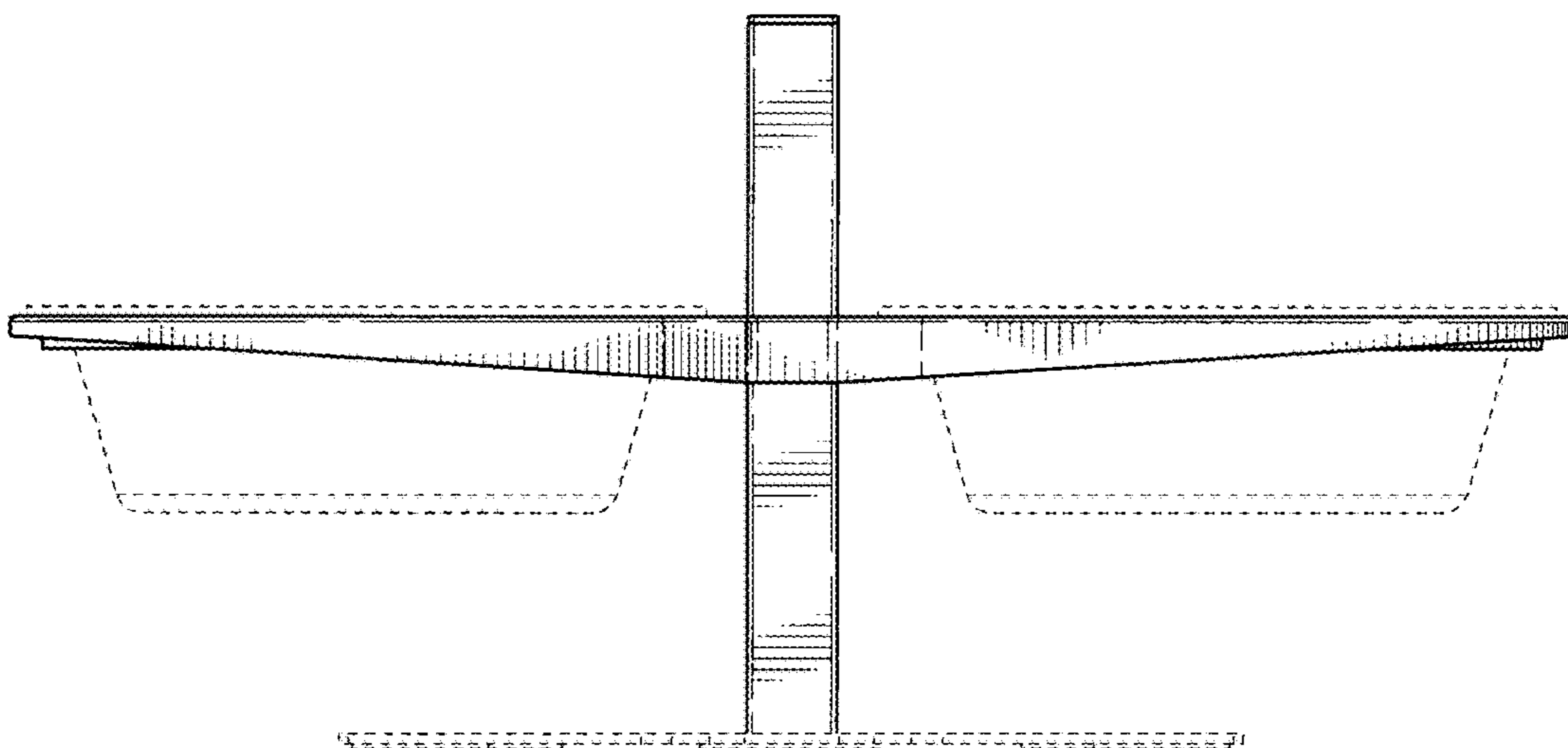


FIG. 3

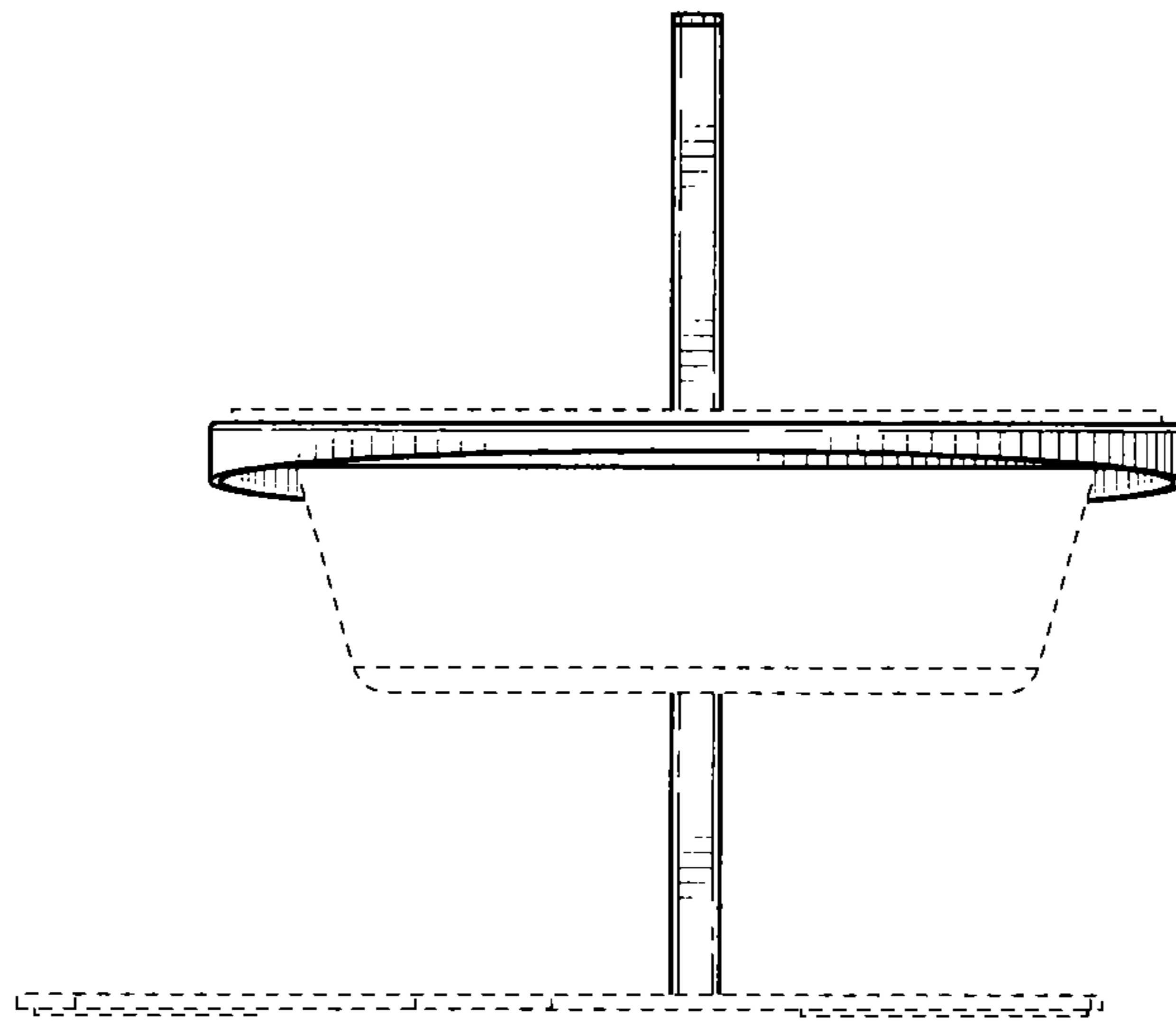


FIG. 4

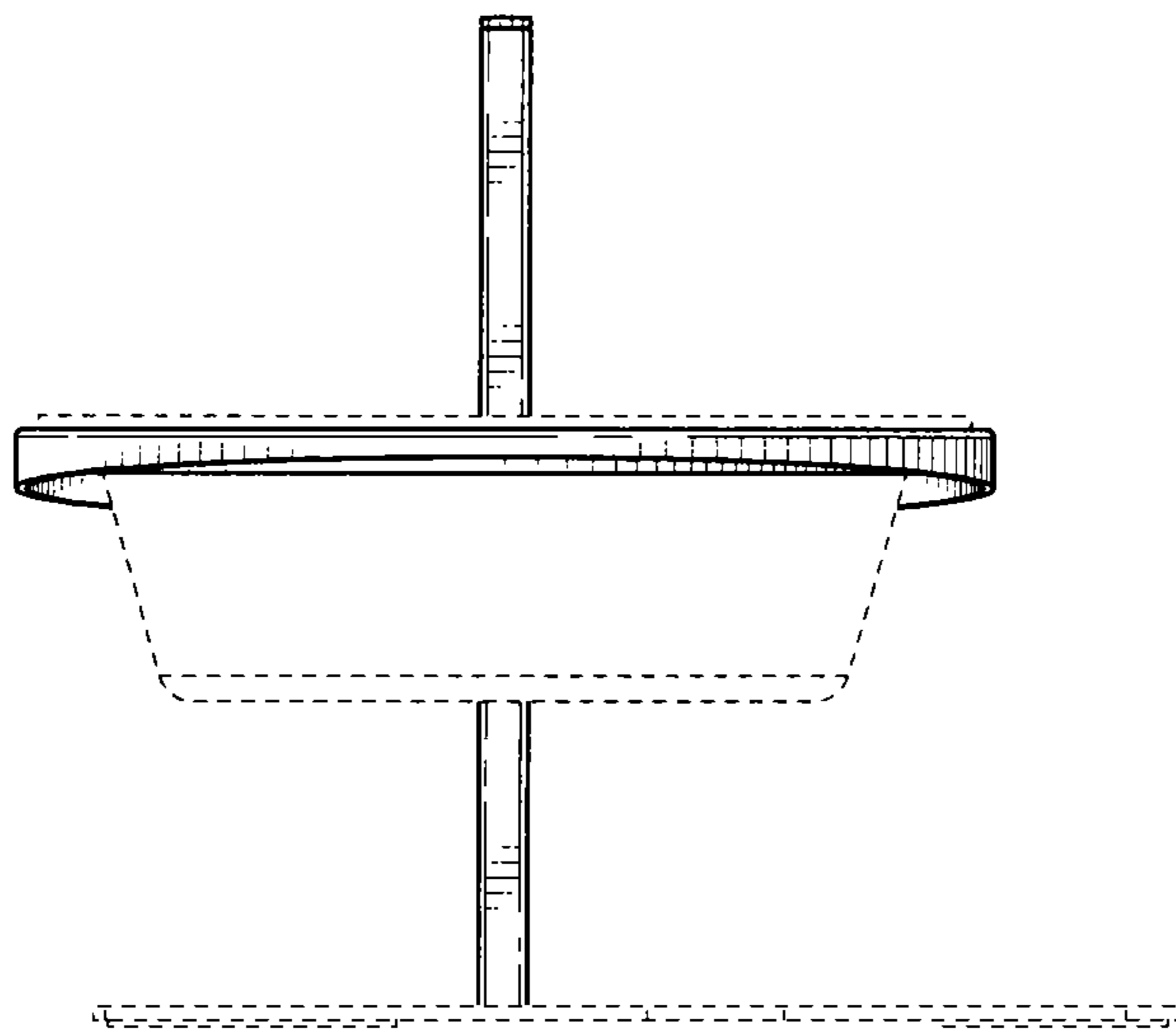


FIG. 5

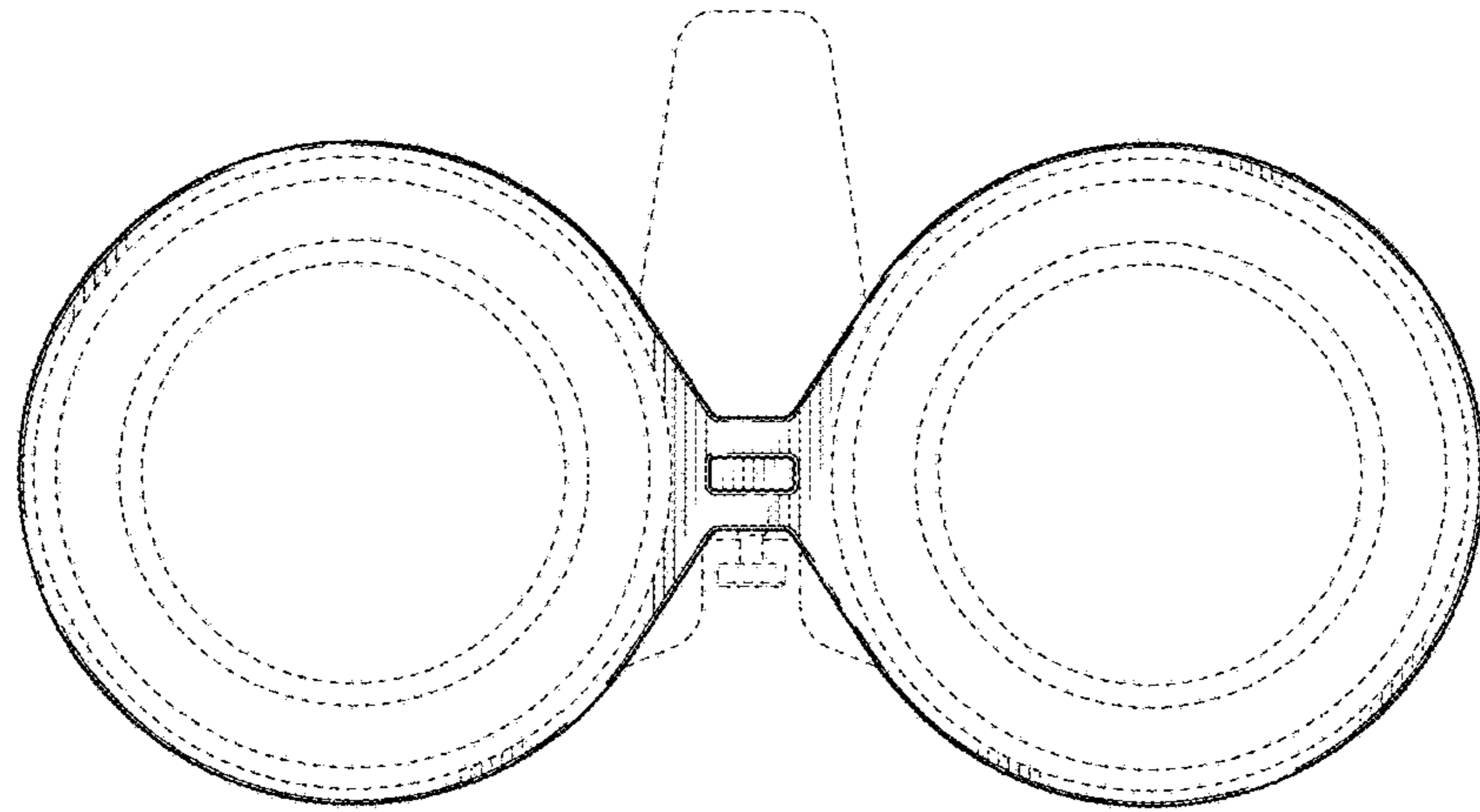


FIG. 6

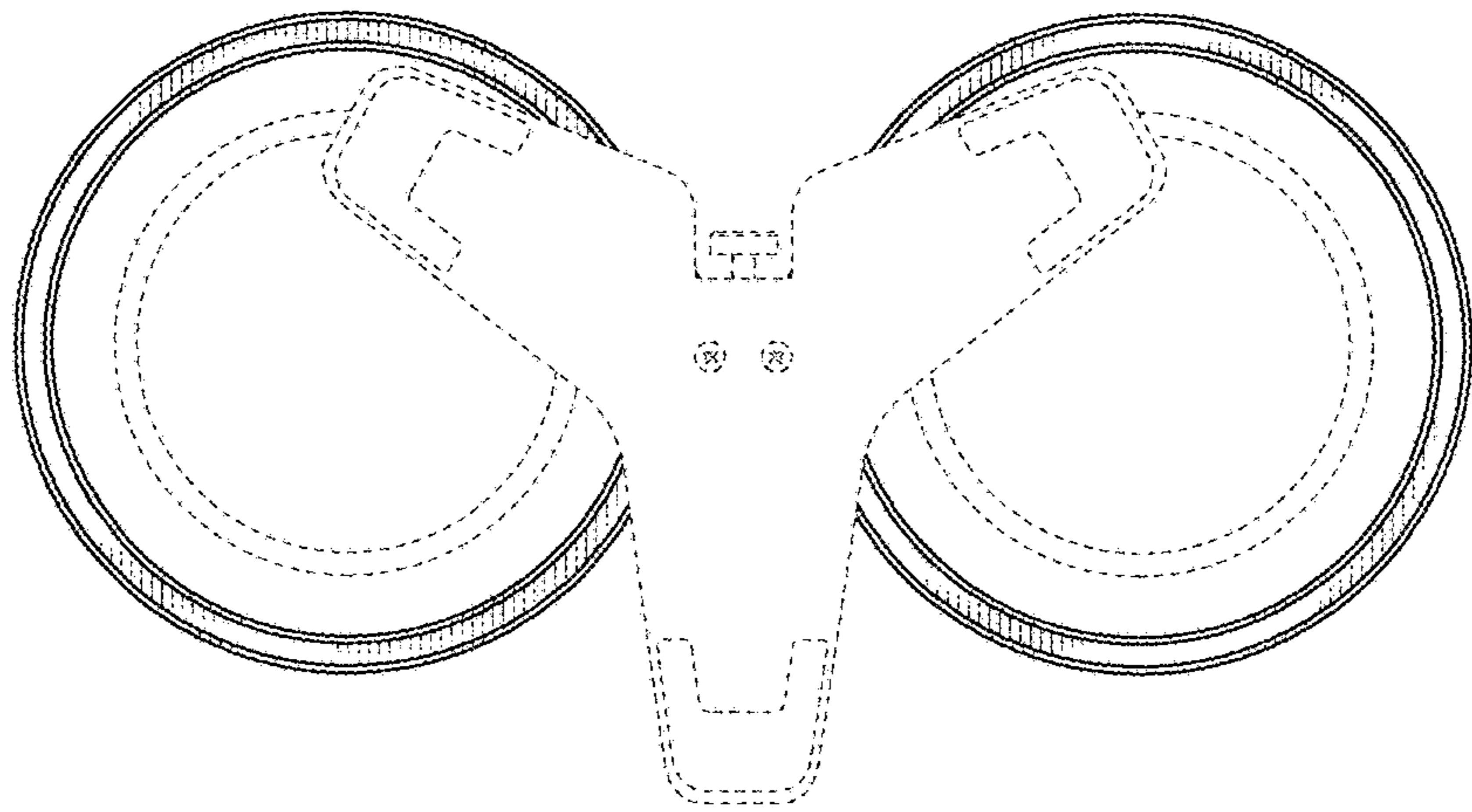


FIG. 7