



US00D794254S

(12) **United States Design Patent** (10) **Patent No.:** **US D794,254 S**
Axelsson (45) **Date of Patent:** **** Aug. 8, 2017**

(54) **CHINSTRAP CONNECTOR FOR SAFETY HELMET**

4,271,999 A 6/1981 Stravitz
4,692,947 A 9/1987 Black
4,793,031 A 12/1988 Kasai
4,918,753 A 4/1990 Mermillod
6,360,404 B1 3/2002 Mudge
6,711,751 B1 3/2004 Muskovitz
6,751,811 B1 6/2004 Hill

(71) Applicant: **3M INNOVATIVE PROPERTIES COMPANY**, St. Paul, MN (US)

(72) Inventor: **Peter L. Axelsson**, Borlange (SE)

(73) Assignee: **3M Innovative Properties Company**, St. Paul, MN (US)

(**) Term: **15 Years**

(21) Appl. No.: **29/564,000**

(22) Filed: **May 10, 2016**

(30) **Foreign Application Priority Data**

Nov. 11, 2015 (EM) 001441893

(51) **LOC (10) Cl.** **29-02**

(52) **U.S. Cl.**
USPC **D29/122**

(58) **Field of Classification Search**
USPC D29/100, 102, 106, 108, 110, 122;
D2/865, 880, 881; 2/455, 456, 410, 7,
2/8.2, 424, 425, 9, 468, 171, 205, 206;
128/201.23, 857
CPC A41D 13/05; A41D 13/11; A41D 13/1107;
A41D 13/1161; A41D 13/113; A41D
13/1138; A41D 13/1146; A42B 3/18;
A42B 3/20; A42B 3/205; A42B 3/32;
A42B 3/326; A42B 3/00; A42B 3/04;
A42B 3/0406; A42B 3/08; A42B 3/085;
A42B 1/008; A61F 9/06; A63B 71/08;
A63B 7/085; A63B 71/10; A63B 71/12;
A63B 71/1291

See application file for complete search history.

(56) **References Cited**

U.S. PATENT DOCUMENTS

3,216,023 A 11/1965 Morgan
3,650,173 A 3/1972 Mathe

FOREIGN PATENT DOCUMENTS

DE 202004013874 12/2004
EP 0285022 10/1988

(Continued)

OTHER PUBLICATIONS

Brozowski, "Static and Dynamic Retention Assessment of the HGU-56/P Aircrew Integrated Helmet System Equipped with Quick-release ALPHA and Snap-fastener Retention Assemblies", USAARL, Nov. 2005, 24 pgs.

(Continued)

Primary Examiner — Randall Gholson

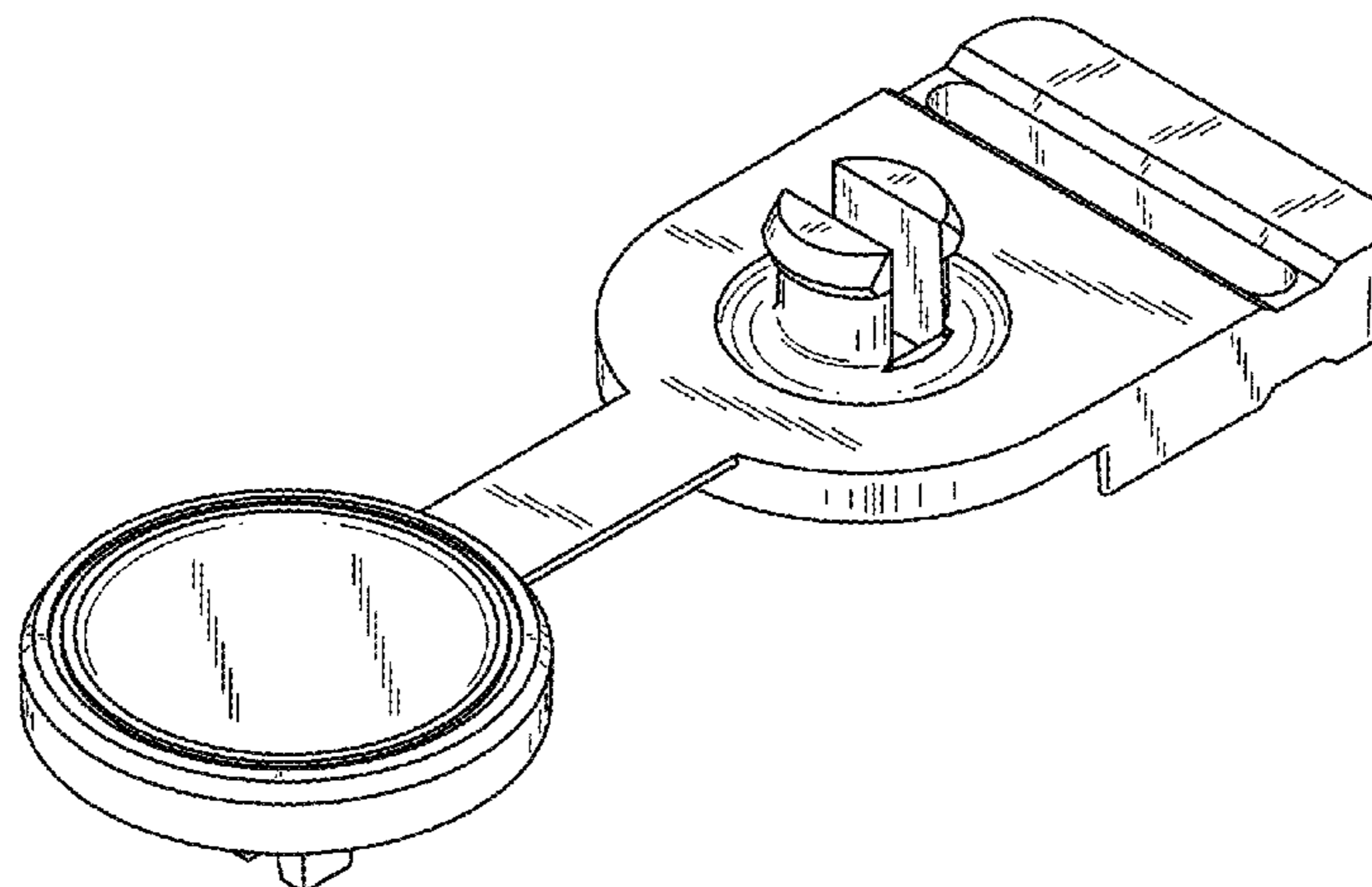
(57) **CLAIM**

The ornamental design for a chinstrap connector for safety helmet, as shown and described.

DESCRIPTION

FIG. 1 is a top perspective view showing the new design for a chinstrap connector for safety helmet;
FIG. 2 is a top view thereof;
FIG. 3 is a side view thereof;
FIG. 4 is a bottom view thereof;
FIG. 5 is a front view thereof;
FIG. 6 is a back view thereof; and,
FIG. 7 is a bottom perspective view thereof.

1 Claim, 2 Drawing Sheets



(56)

References Cited

U.S. PATENT DOCUMENTS

7,735,160 B1 * 6/2010 Schiebl A42B 3/08
 2/425
 D623,088 S * 9/2010 Schiebl D11/220
 D670,599 S * 11/2012 Shaanan D11/218
 D670,600 S * 11/2012 Shaanan D11/218
 8,813,317 B2 8/2014 Mitchell, Jr.
 D713,759 S * 9/2014 Guney D11/218
 D714,683 S * 10/2014 McEntyre D11/218
 9,066,550 B2 6/2015 Erb
 9,072,331 B2 7/2015 McNeal
 9,144,270 B2 * 9/2015 Mitchell, Jr. A44B 11/16
 D750,530 S * 3/2016 VanHoutin D11/218
 9,307,802 B2 * 4/2016 Hall A42B 3/142
 D778,508 S * 2/2017 Moreau D29/122
 2007/0193006 A1 8/2007 Kitano
 2011/0170982 A1 7/2011 Watanabe
 2011/0247120 A1 10/2011 Knoedler
 2011/0277223 A1 11/2011 Roberts
 2011/0289660 A1 12/2011 Gowen
 2013/0227767 A1 9/2013 Bancroft
 2014/0068843 A1 3/2014 Wegener
 2014/0298624 A1 10/2014 Omarsson
 2015/0230533 A1 8/2015 Bancroft

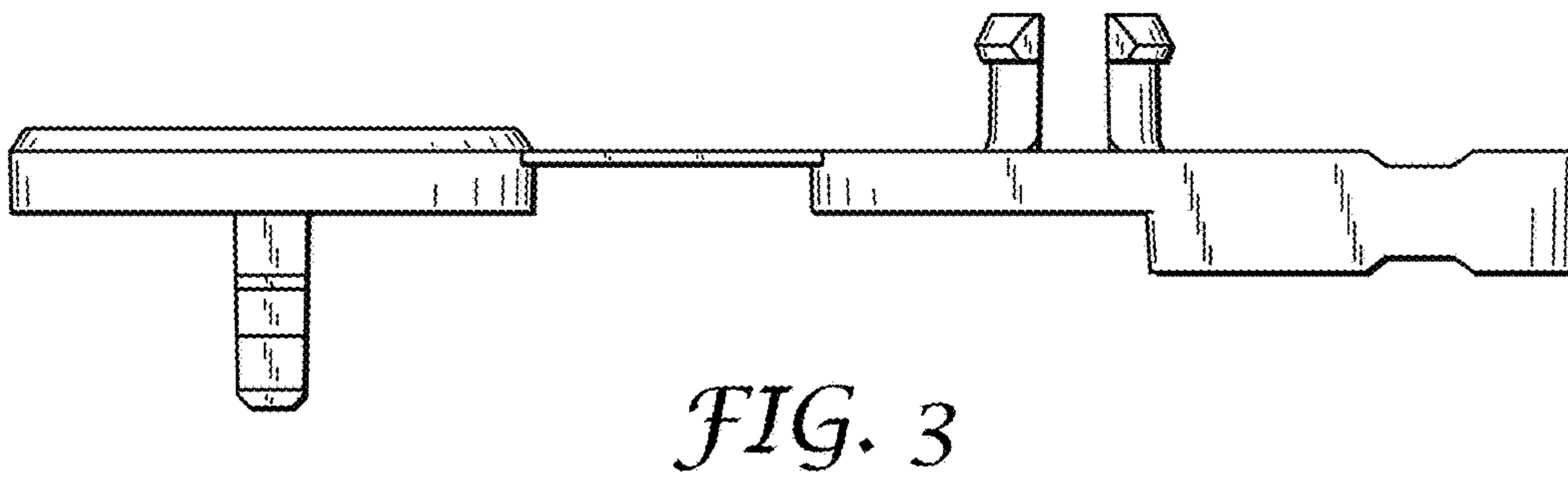
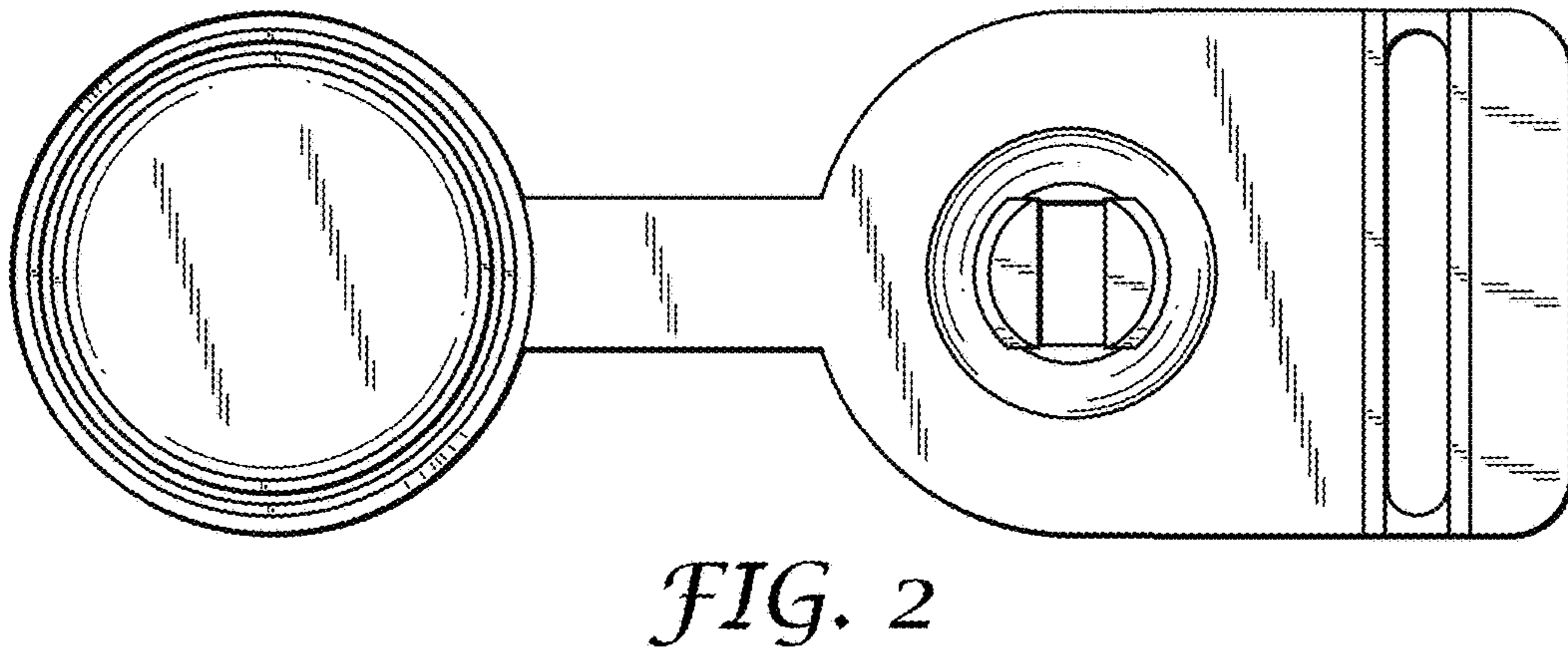
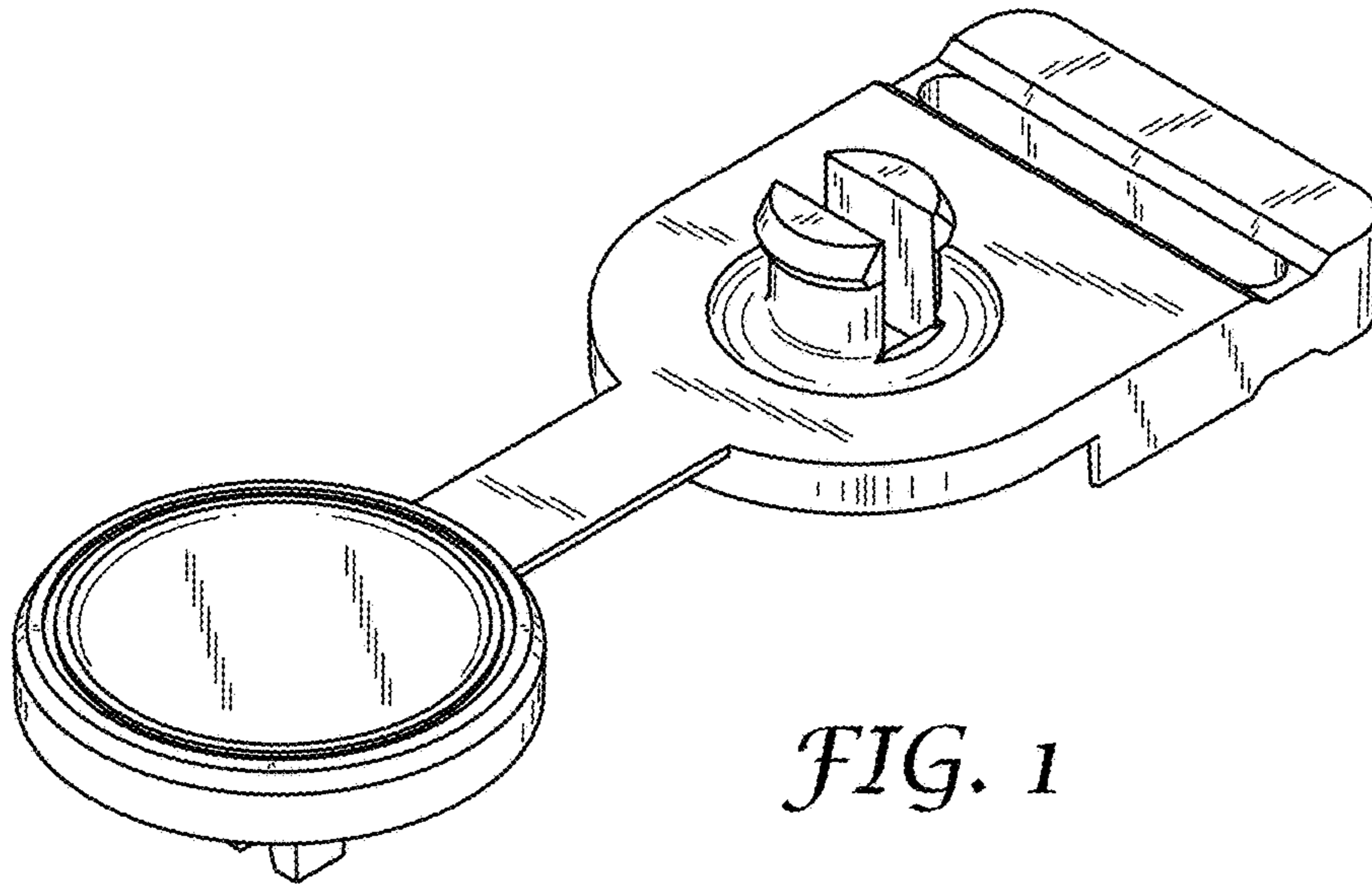
FOREIGN PATENT DOCUMENTS

GB 2013770 8/1979
 GB 2153003 8/1985
 TW M247023 10/2004
 WO WO 99-45807 9/1999
 WO WO 2014-163404 10/2014

OTHER PUBLICATIONS

“ERB Chin Strap with Chin Guard for ERB Full Brim Hard Hats”,
 [retrieved from internet on Jun. 17, 2016] URL <<http://www.tasco-safety.com/products/erb-chin-strap-with-chin-guard-for-erb-full-brim-hard-hats.html>>, pp. 6.
 Pellettiere, “Development of the Breakaway Integrated Chin-Nape Strap”, Air Force Research Laboratory, Oct. 2005, 13 pgs.
 “Protos Integral Arborist Chin Strap EN12492”, [retrieved from internet on Jun. 17, 2016] URL <<http://www.clarkforest.com/shop/safety-clothing/protos-integral-accessories/protos-integral-forest-chin-strap-en12492>>, pp. 3.

* cited by examiner



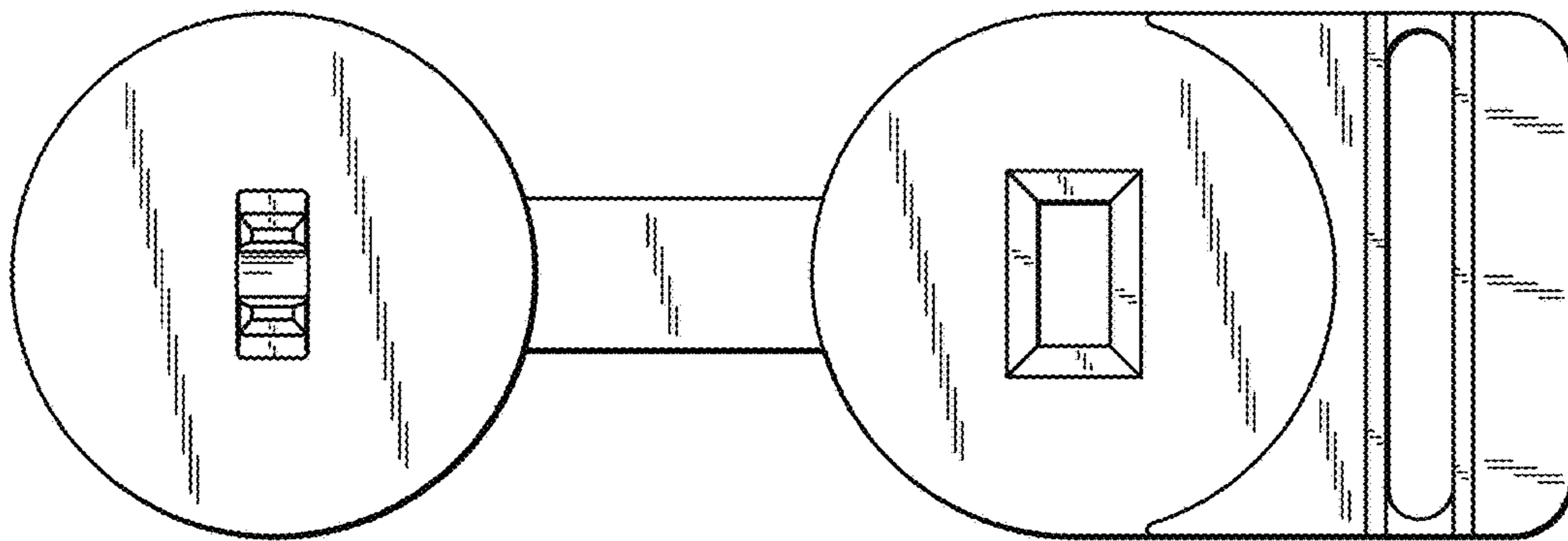


FIG. 4

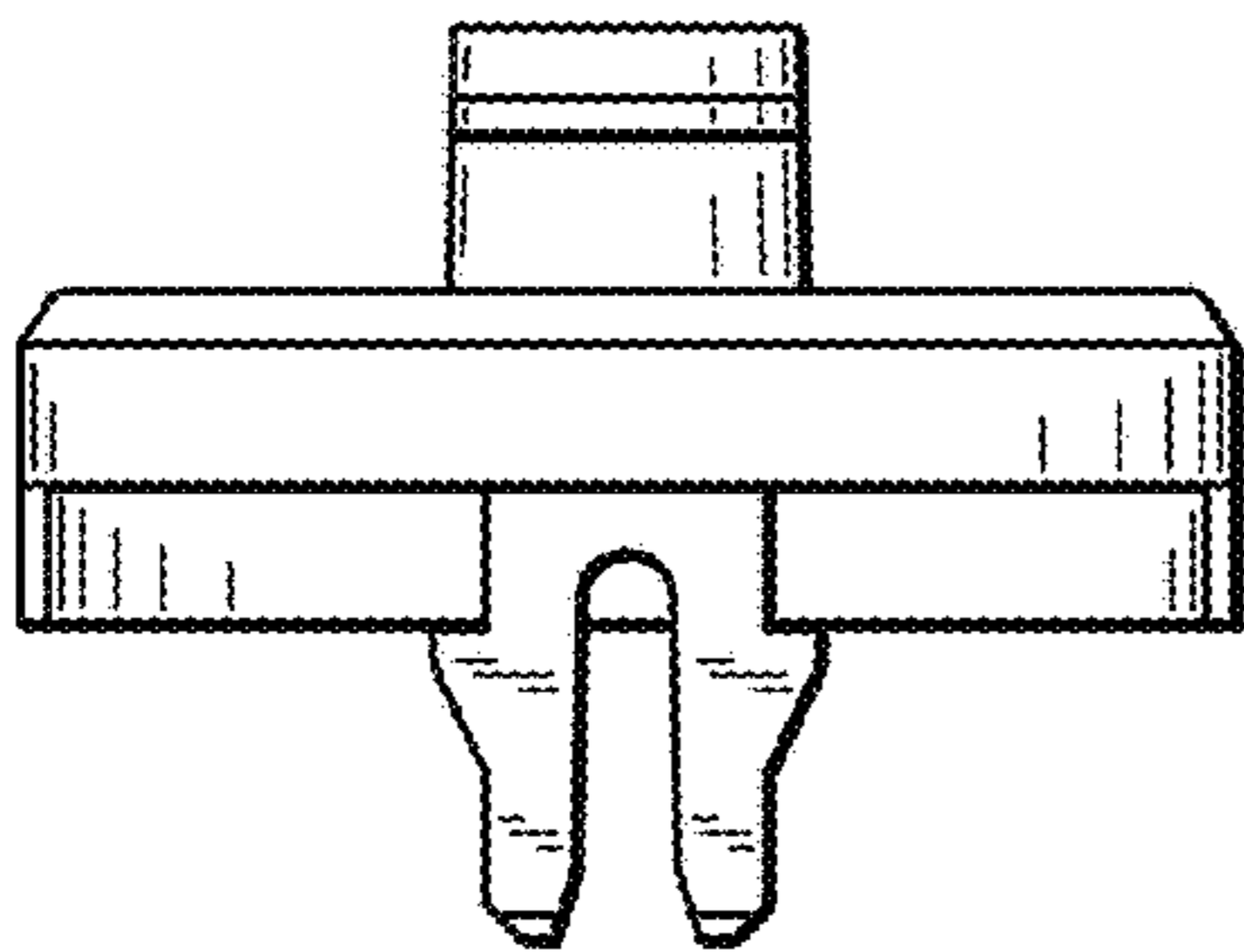


FIG. 5

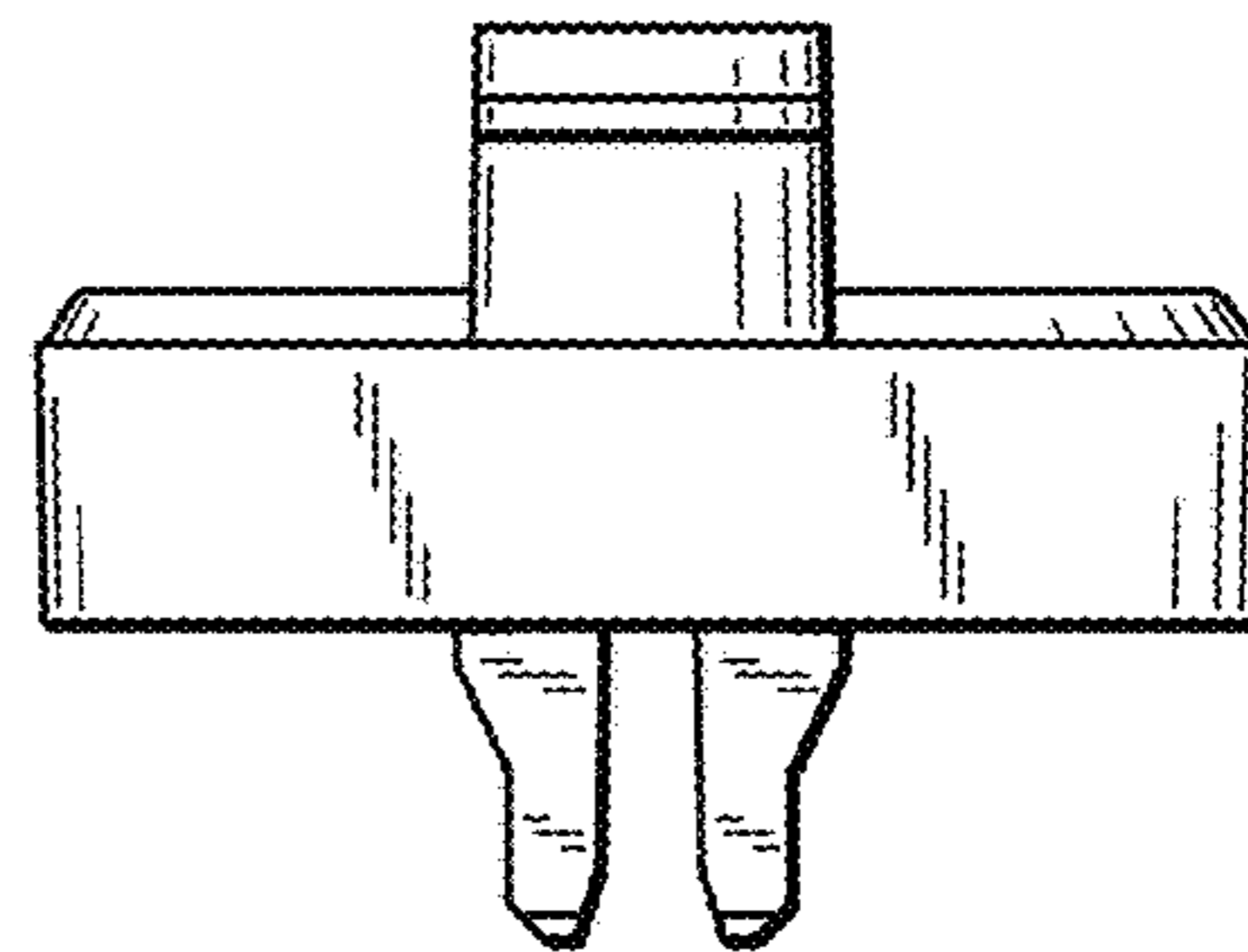


FIG. 6

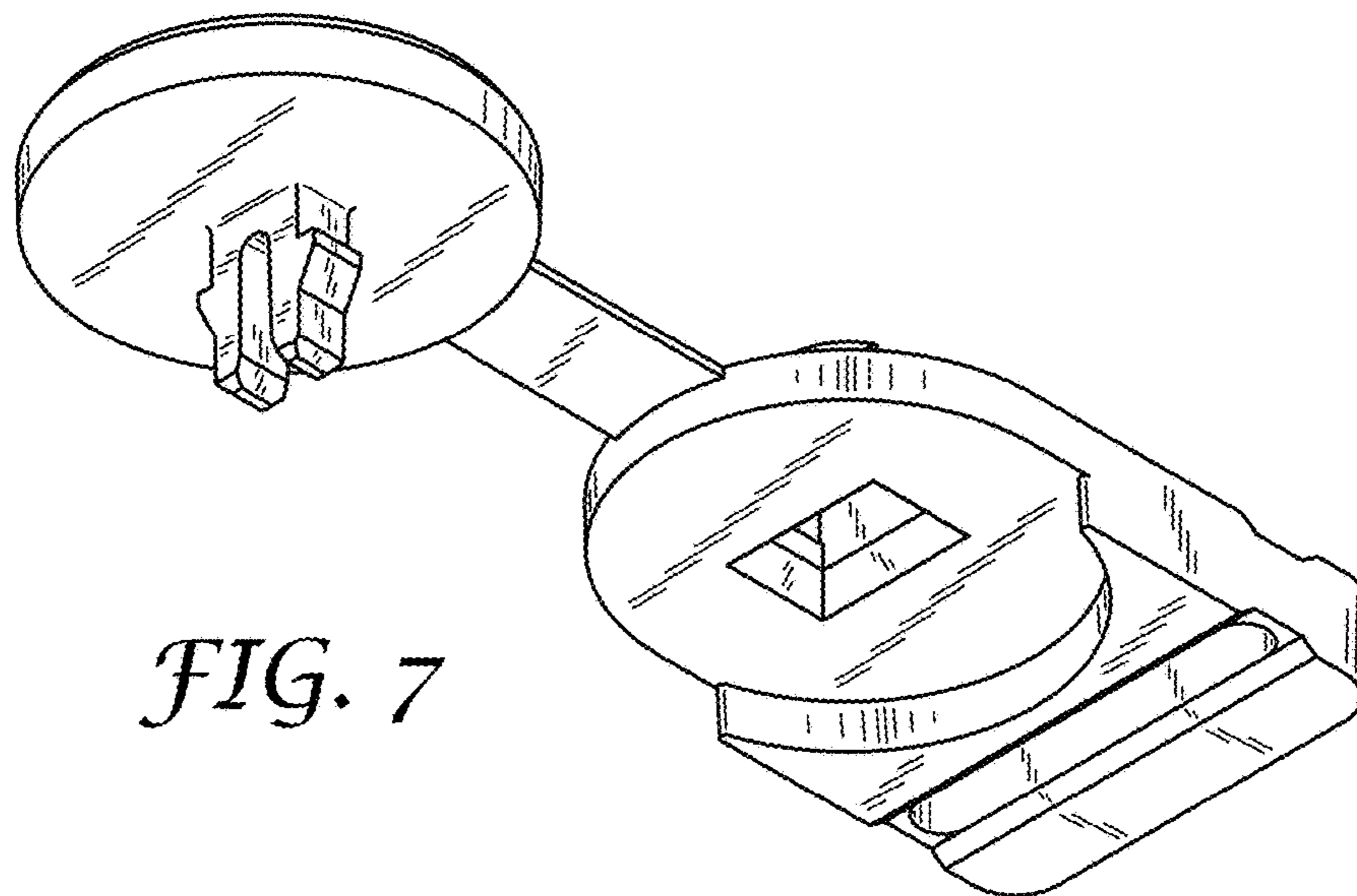


FIG. 7