

US00D794252S

(12) **United States Design Patent**
Grimmett

(10) **Patent No.:** **US D794,252 S**

(45) **Date of Patent:** **** Aug. 8, 2017**

(54) **VEST AND SLING COMBINATION**

(71) Applicant: **Dorothy Grimmett**, Talladega, AL
(US)

(72) Inventor: **Dorothy Grimmett**, Talladega, AL
(US)

(**) Term: **15 Years**

(21) Appl. No.: **29/564,300**

(22) Filed: **May 12, 2016**

(51) **LOC (10) Cl.** **29-02**

(52) **U.S. Cl.**
USPC **D29/101.4**

(58) **Field of Classification Search**
USPC D29/100, 101, 101.2, 101.3, 101.4, 122,
D29/124; D2/626, 829, 830, 860;
362/108; D21/805; 441/88, 106, 108,
441/111, 117; 182/3; 2/48, 51, 92, 102,
2/103, 105, 913, 914, 915; D3/216
CPC A41D 1/00; A45F 3/00
See application file for complete search history.

(56) **References Cited**

U.S. PATENT DOCUMENTS

- 3,559,640 A * 2/1971 Beckett A61F 5/3746
2/94
- D235,928 S * 7/1975 Moore D24/190
- 4,601,285 A 7/1986 Whitchurch
- 5,095,894 A 3/1992 Marble
- 6,453,904 B1 9/2002 Wilson et al.

- 6,974,429 B2 12/2005 Moore et al.
- D571,478 S 6/2008 Horacek
- D577,123 S * 9/2008 True D24/190
- D585,603 S * 1/2009 O'Connor D29/101.4
- 7,841,997 B1 11/2010 Heller
- D683,933 S * 6/2013 Robbins D2/829
- D689,262 S * 9/2013 Passman D2/829
- 8,597,216 B2 * 12/2013 Choudhury A61F 5/3746
602/4
- 9,022,269 B1 * 5/2015 Woodcock A45F 4/00
224/576

FOREIGN PATENT DOCUMENTS

WO WO03088882 10/2003

* cited by examiner

Primary Examiner — Randal Gholson

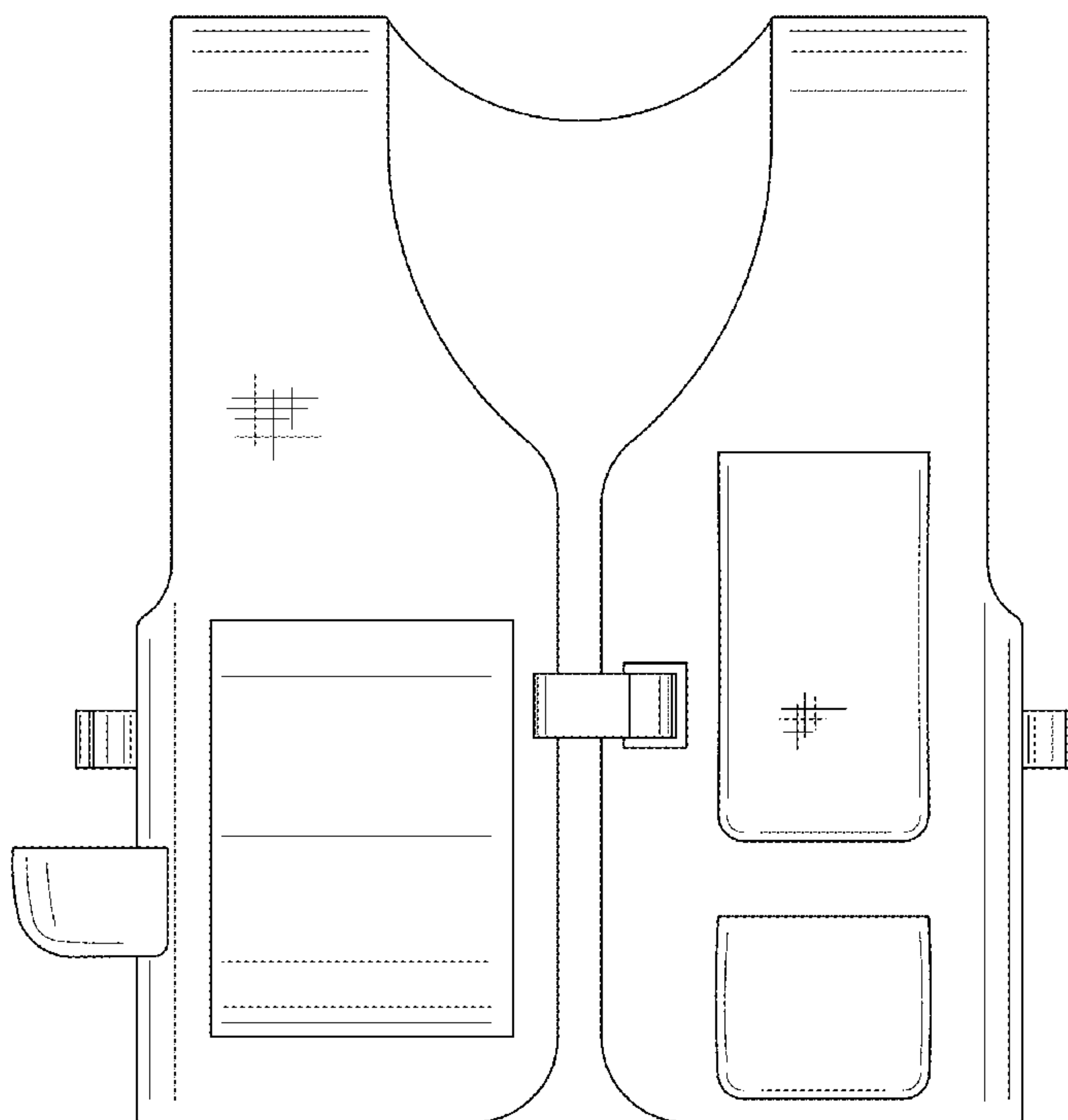
(57) **CLAIM**

The ornamental design for a vest and sling combination, as shown and described.

DESCRIPTION

FIG. 1 is a front view of a vest and sling combination showing my new design;
 FIG. 2 is a rear view of the vest and sling combination;
 FIG. 3 is a left side view of the vest and sling combination;
 FIG. 4 is a right side view of the vest and sling combination;
 FIG. 5 is a top view of the vest and sling combination;
 FIG. 6 is a bottom view of the vest and sling combination;
 and,
 FIG. 7 is a top front side perspective view of the vest and sling combination.

1 Claim, 5 Drawing Sheets



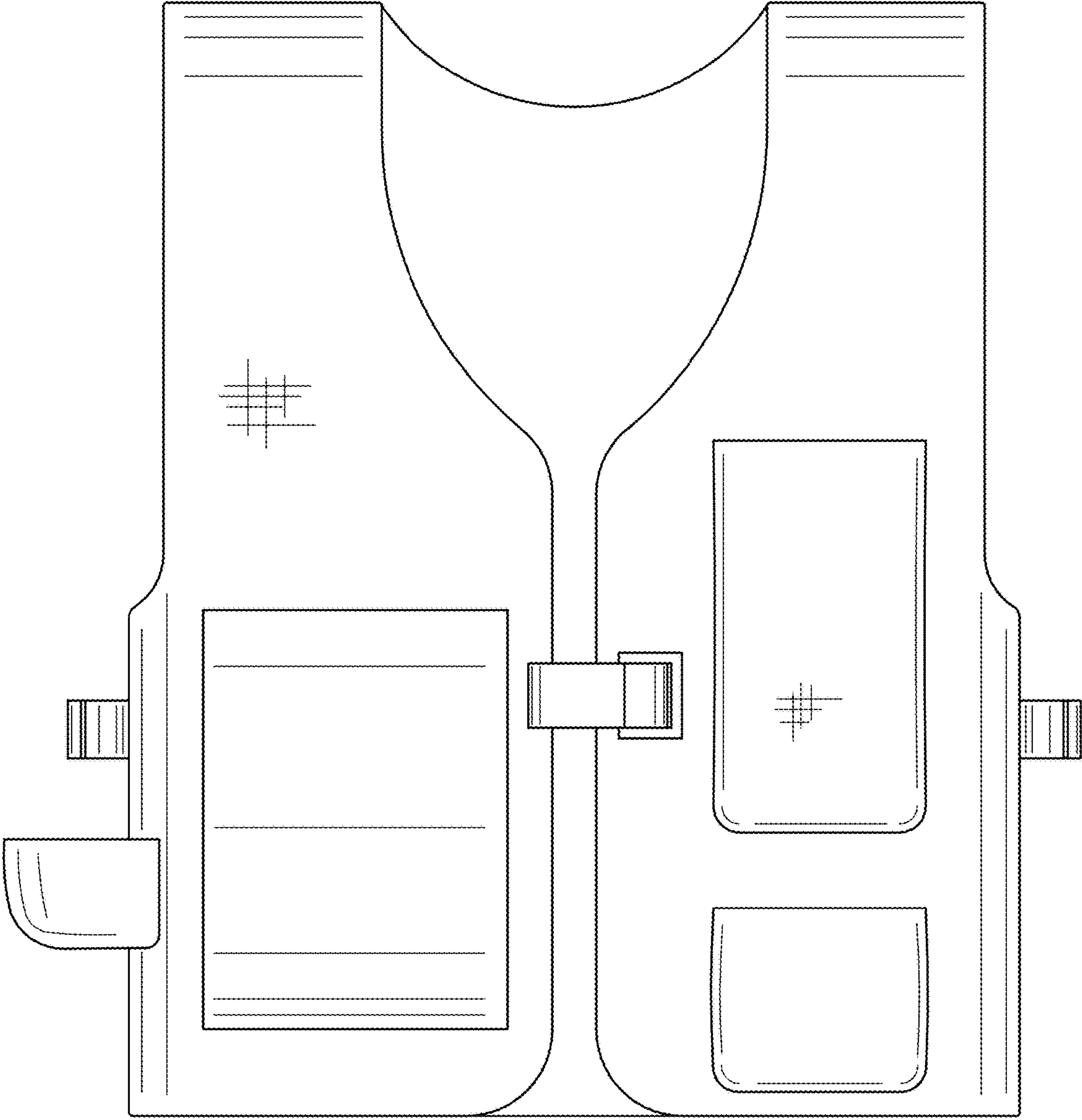


FIG. 1

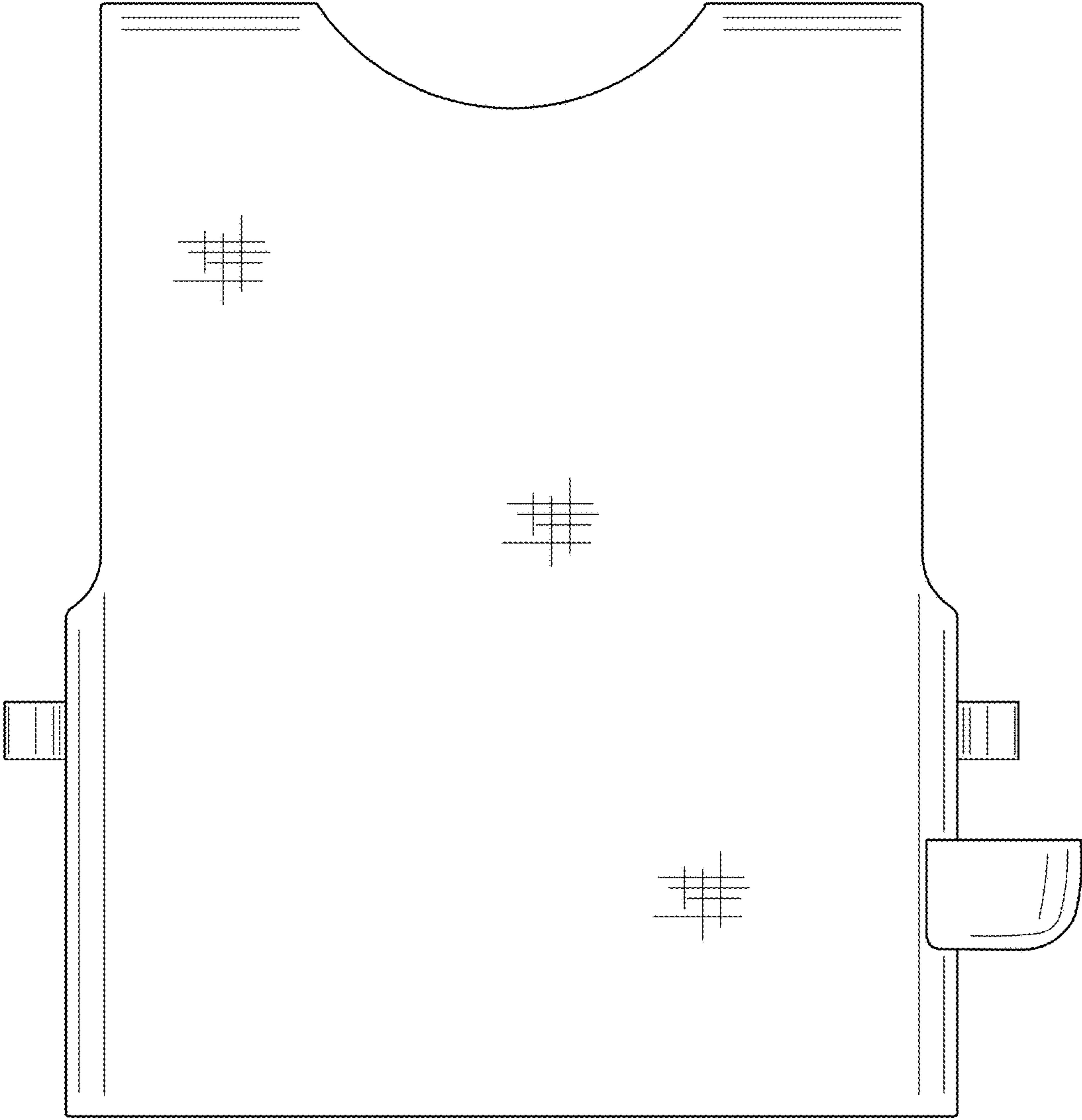


FIG. 2

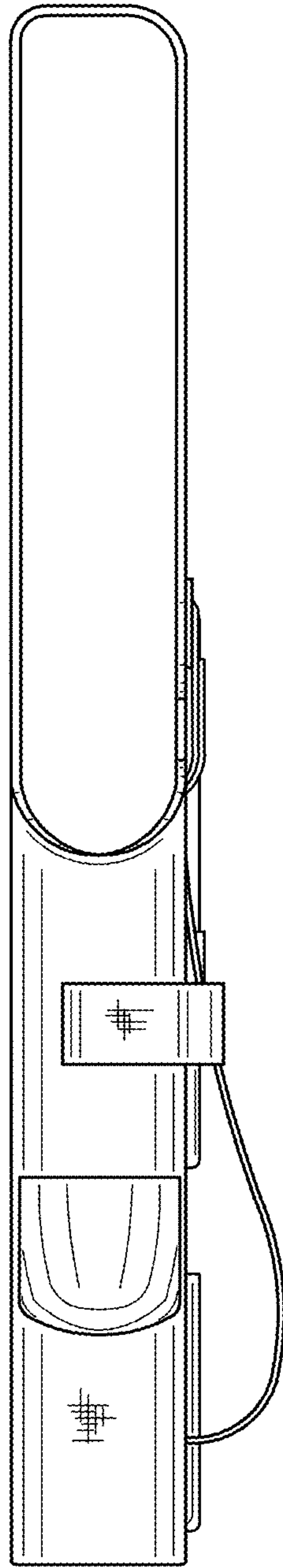


FIG. 3

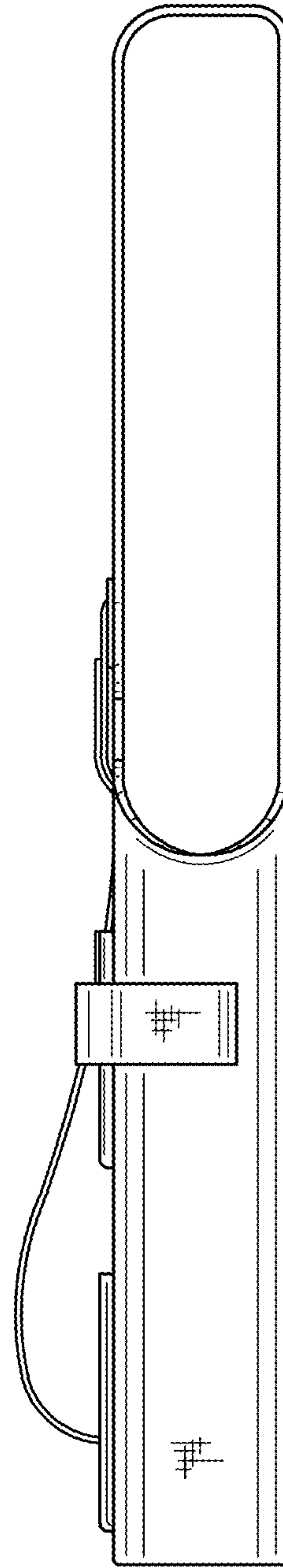


FIG. 4

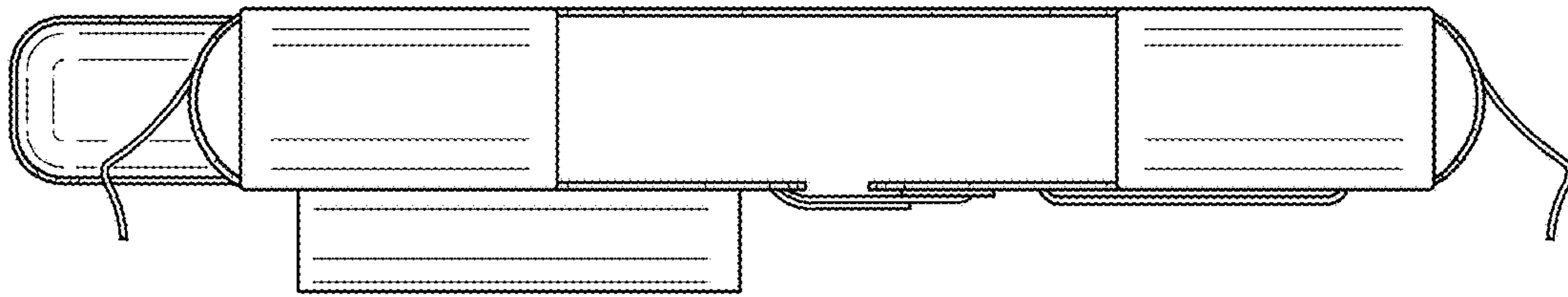


FIG. 5

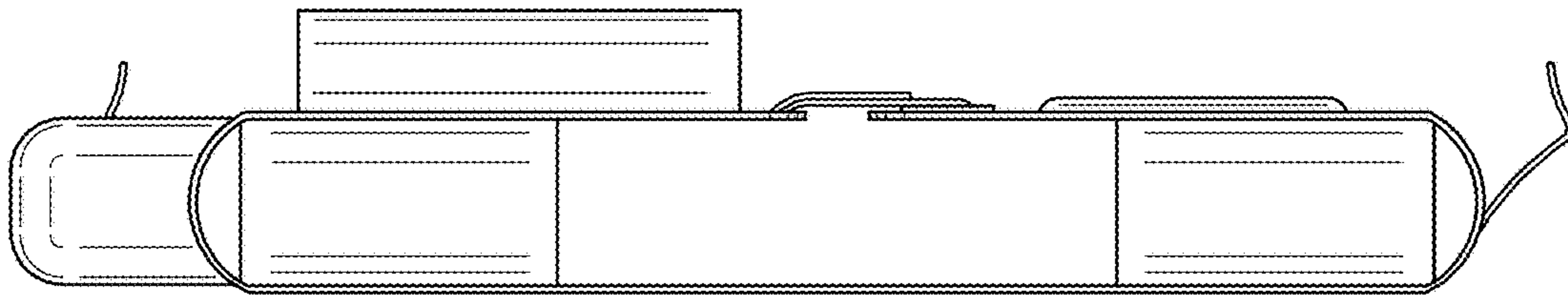


FIG. 6

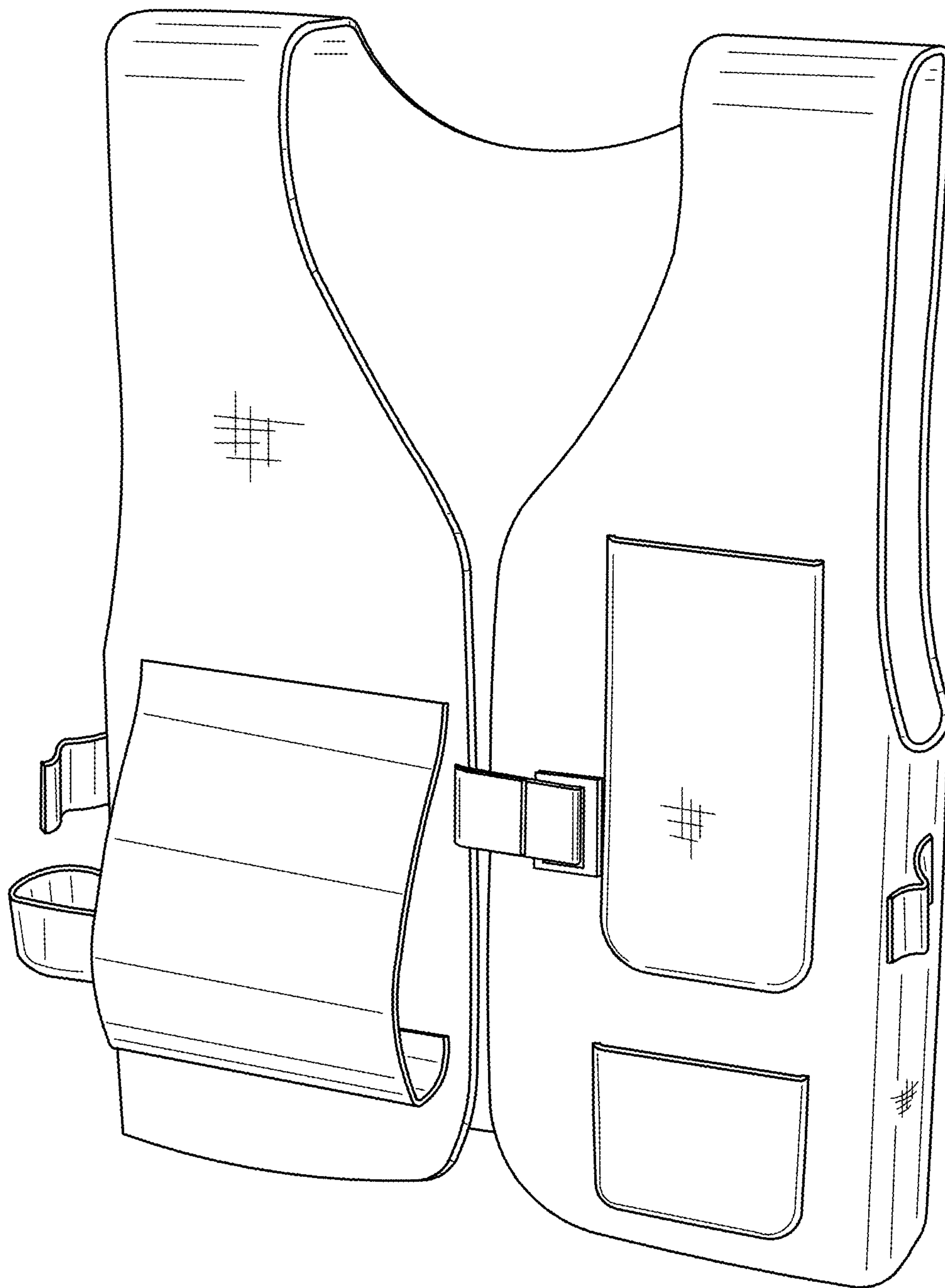


FIG. 7