



US00D794249S

(12) **United States Design Patent**  
**Hou**

(10) **Patent No.:** **US D794,249 S**

(45) **Date of Patent:** **\*\* Aug. 8, 2017**

(54) **ELECTRIC COMB**

(71) Applicant: **Mao Hou**, Shenzhen (CN)

(72) Inventor: **Mao Hou**, Shenzhen (CN)

(\*\*) Term: **15 Years**

(21) Appl. No.: **29/577,309**

(22) Filed: **Sep. 12, 2016**

(51) **LOC (10) Cl.** ..... **28-03**

(52) **U.S. Cl.**  
USPC ..... **D28/24**

(58) **Field of Classification Search**  
USPC ..... D28/24, 10, 21, 23, 25, 28, 30; D4/104,  
D4/132, 133; 132/219, 212, 120, 148,  
132/119.1

CPC ..... A24D 24/00; A24D 24/007; A24D 24/02;  
A24D 2024/005; A45D 20/12; A46B  
5/0033; A46B 5/0041

See application file for complete search history.

(56) **References Cited**

**U.S. PATENT DOCUMENTS**

|           |      |         |          |       |                       |
|-----------|------|---------|----------|-------|-----------------------|
| 4,118,823 | A *  | 10/1978 | Axelrod  | ..... | A46B 3/20<br>132/219  |
| 4,651,761 | A *  | 3/1987  | Suen     | ..... | B26B 19/06<br>132/148 |
| 5,335,390 | A *  | 8/1994  | Chen     | ..... | A46B 7/026<br>132/121 |
| D369,435  | S *  | 4/1996  | Bozak    | ..... | D28/30                |
| 6,283,930 | B1 * | 9/2001  | Purvis   | ..... | A46B 5/0033<br>15/185 |
| D599,954  | S *  | 9/2009  | Michaels | ..... | D28/30                |

|              |      |         |          |       |                          |
|--------------|------|---------|----------|-------|--------------------------|
| D650,127     | S *  | 12/2011 | Jude     | ..... | D28/30                   |
| D702,877     | S *  | 4/2014  | Tsai     | ..... | D28/30                   |
| D713,992     | S *  | 9/2014  | Lolani   | ..... | A45D 24/22<br>D28/30     |
| D766,588     | S *  | 9/2016  | Rennette | ..... | D4/133                   |
| 2015/0136163 | A1 * | 5/2015  | Chininis | ..... | A45D 24/007<br>132/119.1 |

\* cited by examiner

*Primary Examiner* — Manpreet Matharu

*Assistant Examiner* — Rebecca Tsehaye

(74) *Attorney, Agent, or Firm* — Novoclaims Patent Services LLC; Mei Lin Wong

(57) **CLAIM**

The ornamental design for an electric comb, as shown and described.

**DESCRIPTION**

FIG. 1 is a front perspective view of an electric comb showing my new design.

FIG. 2 is a front view thereof.

FIG. 3 is a rear view thereof.

FIG. 4 is a right end enlarged view thereof.

FIG. 5 is a left end enlarged view thereof.

FIG. 6 is a top view thereof.

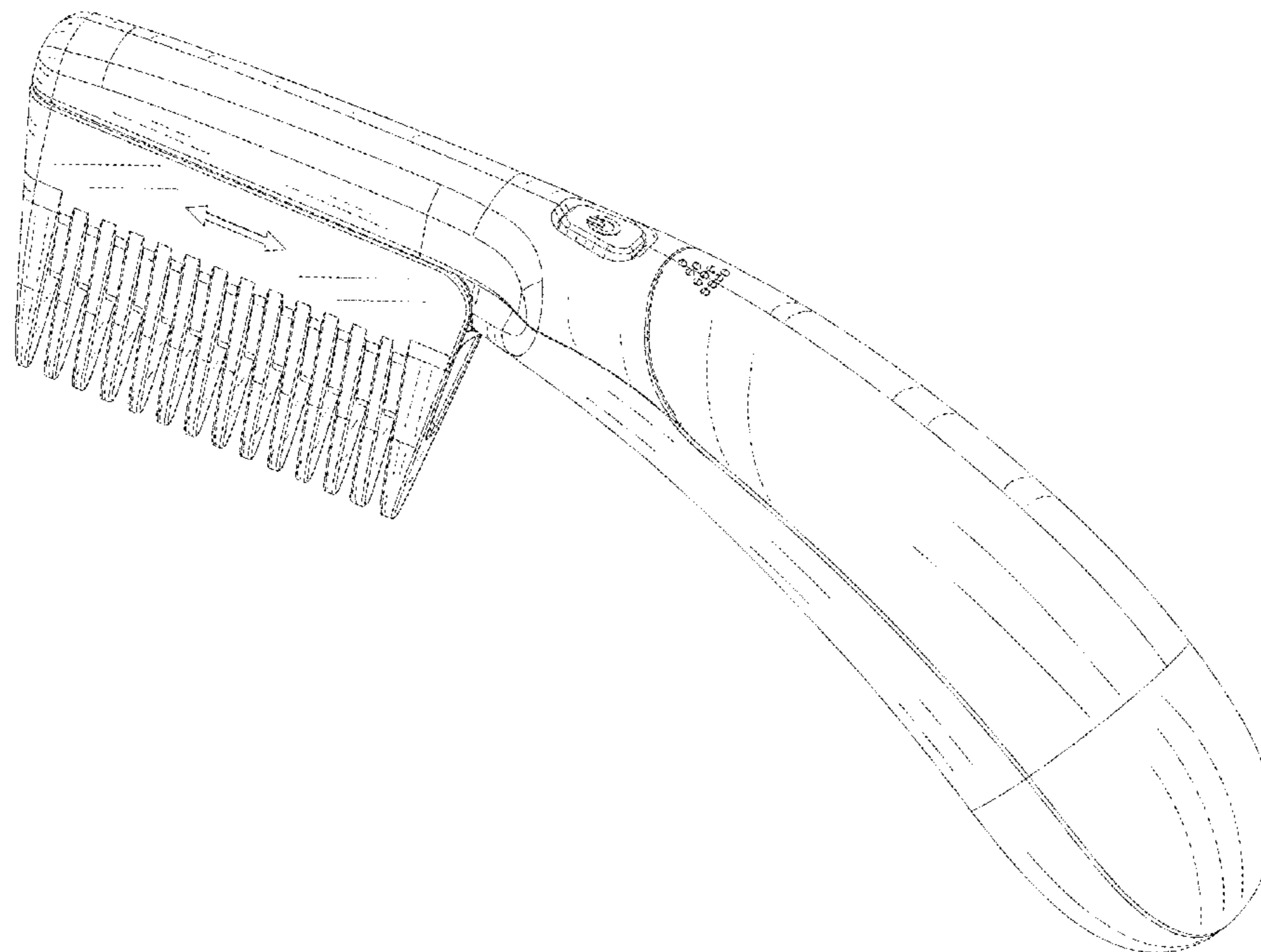
FIG. 7 is a bottom view thereof.

FIG. 8 is a front perspective view thereof showing in an open position.

FIG. 9 is a bottom perspective view thereof showing in an open position; and,

FIG. 10 is a bottom perspective view thereof.

**1 Claim, 10 Drawing Sheets**



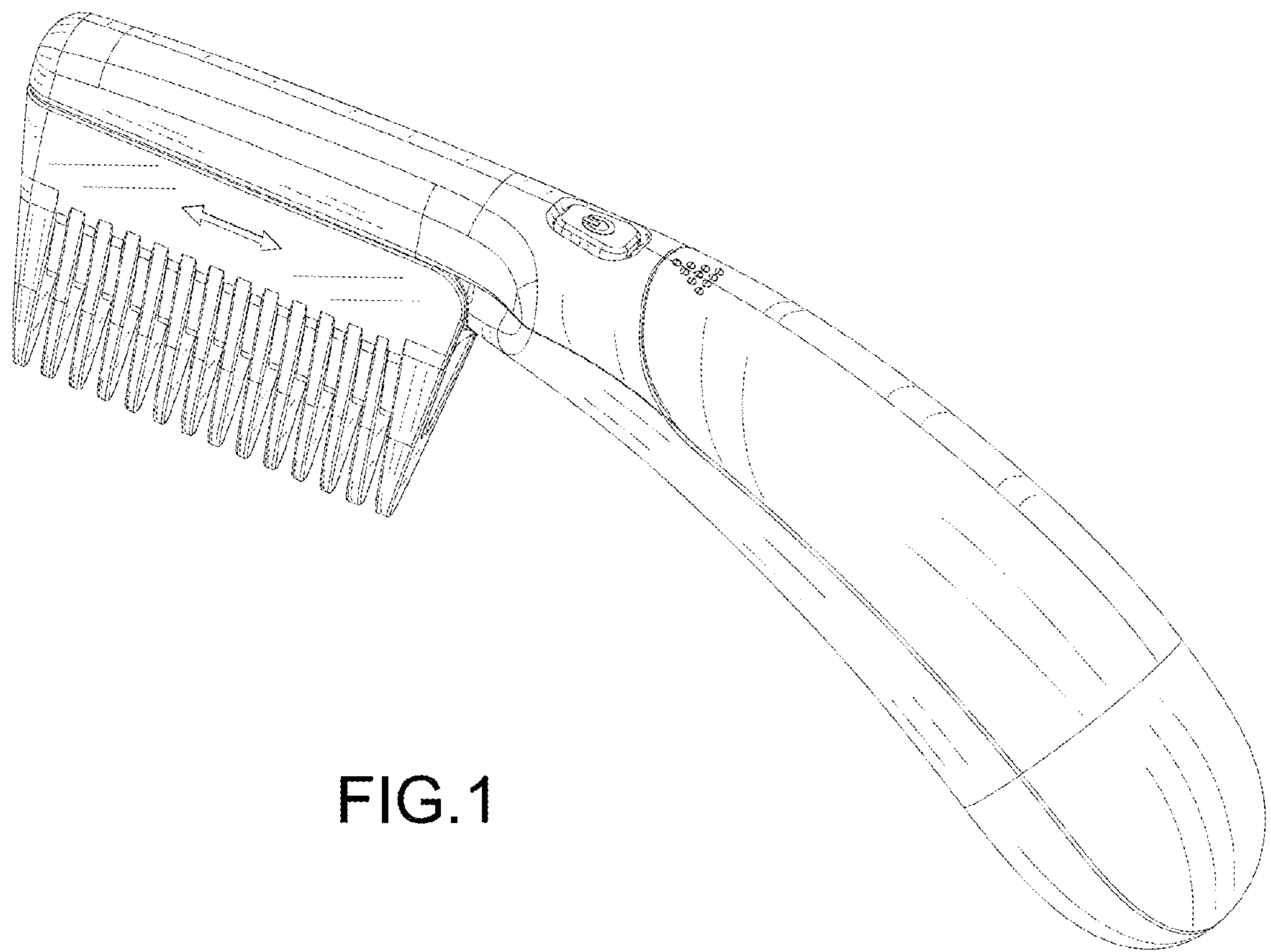


FIG. 1

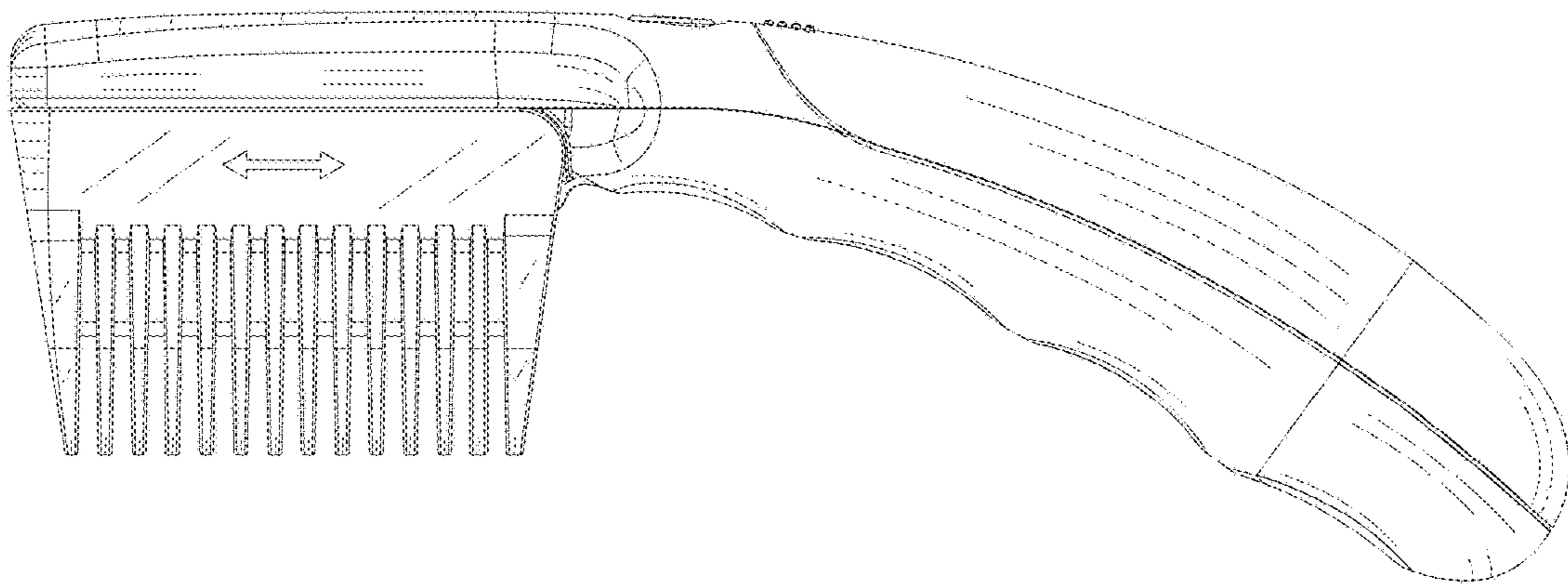


FIG.2

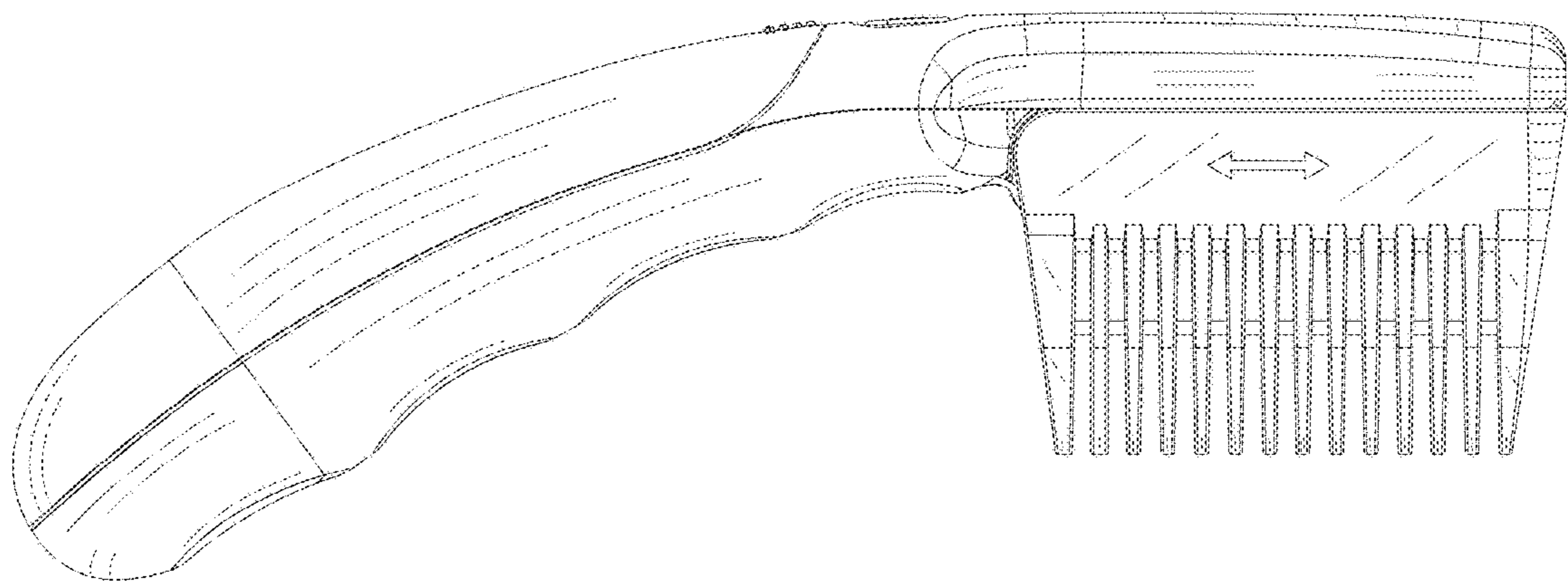


FIG.3

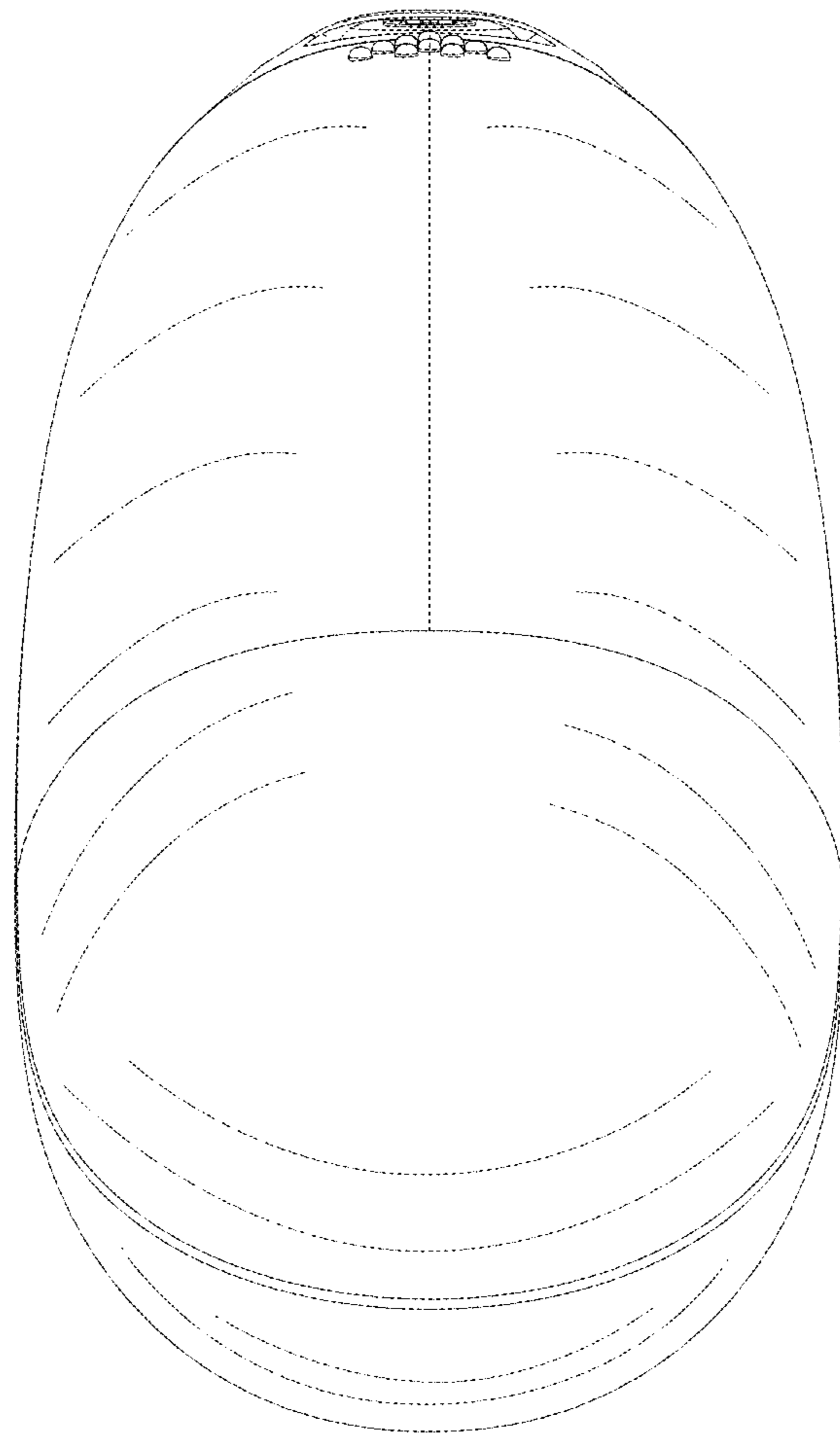


FIG.4

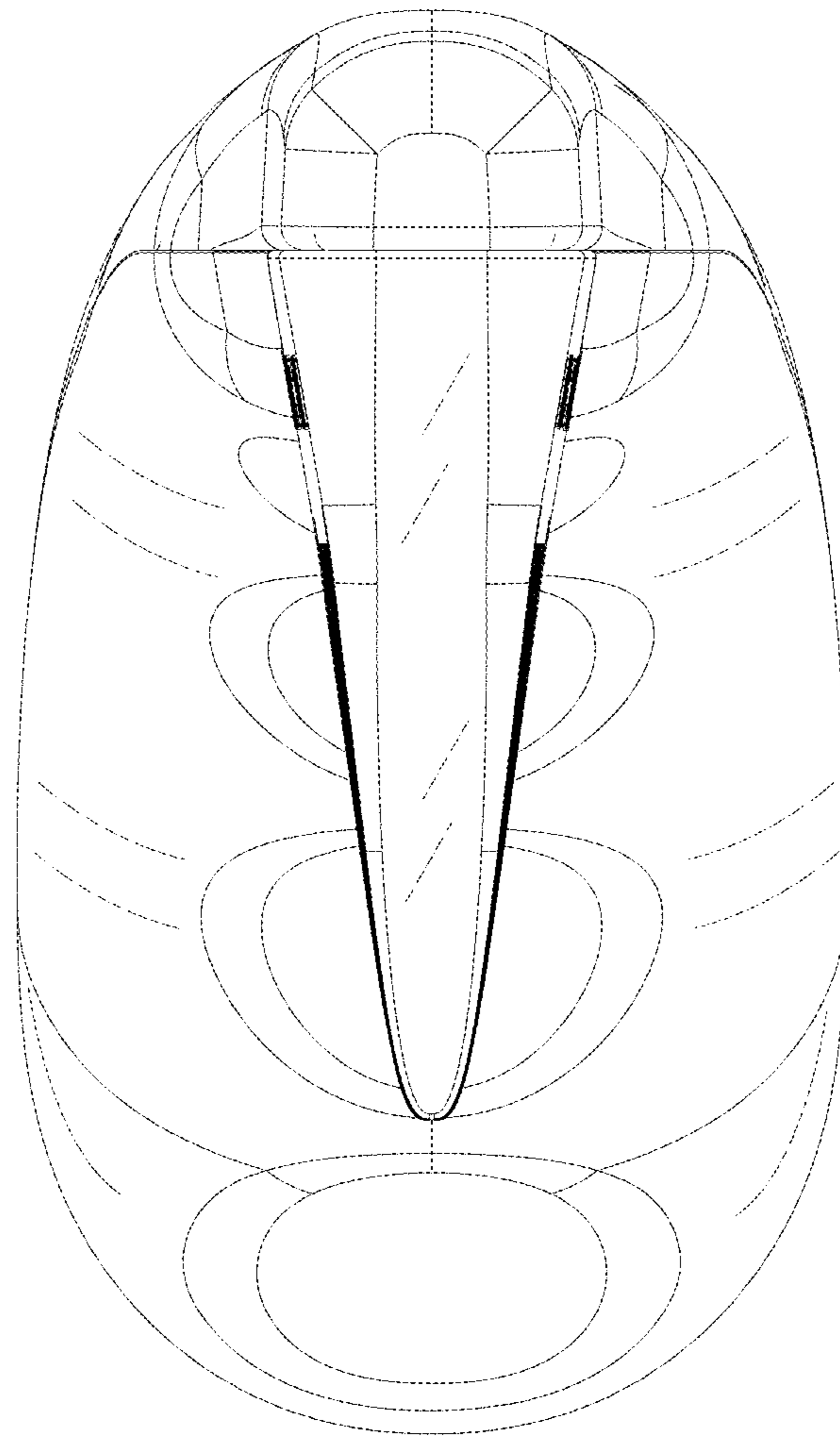


FIG.5

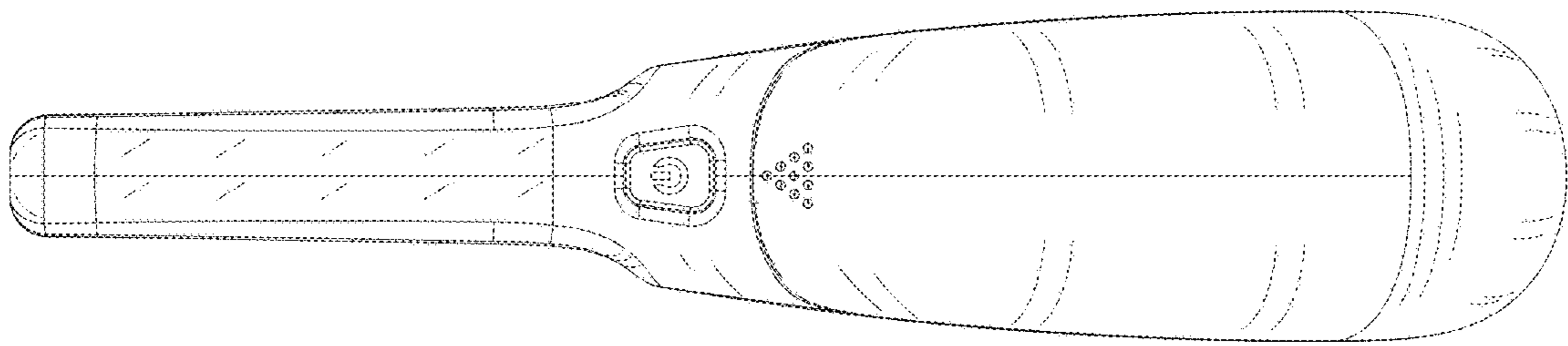


FIG.6

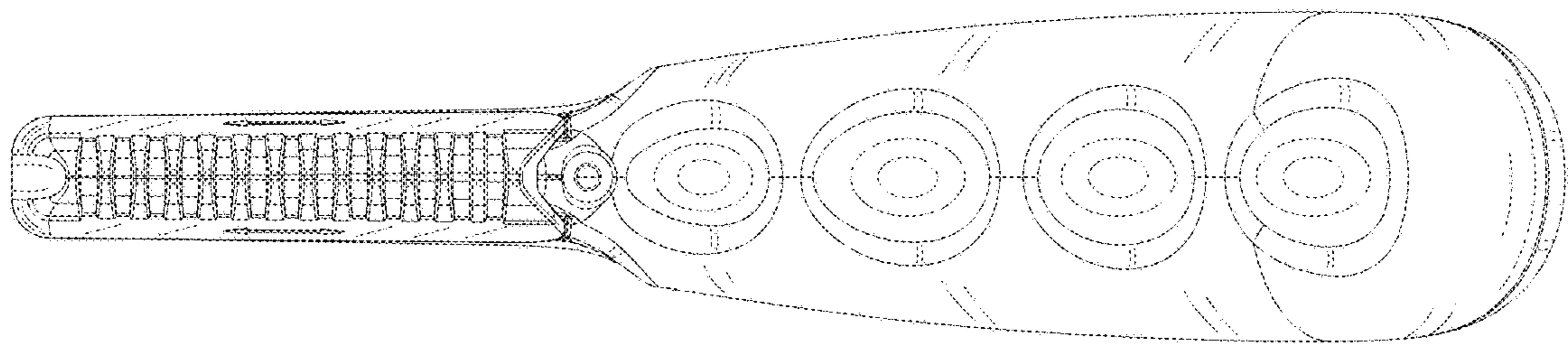


FIG.7



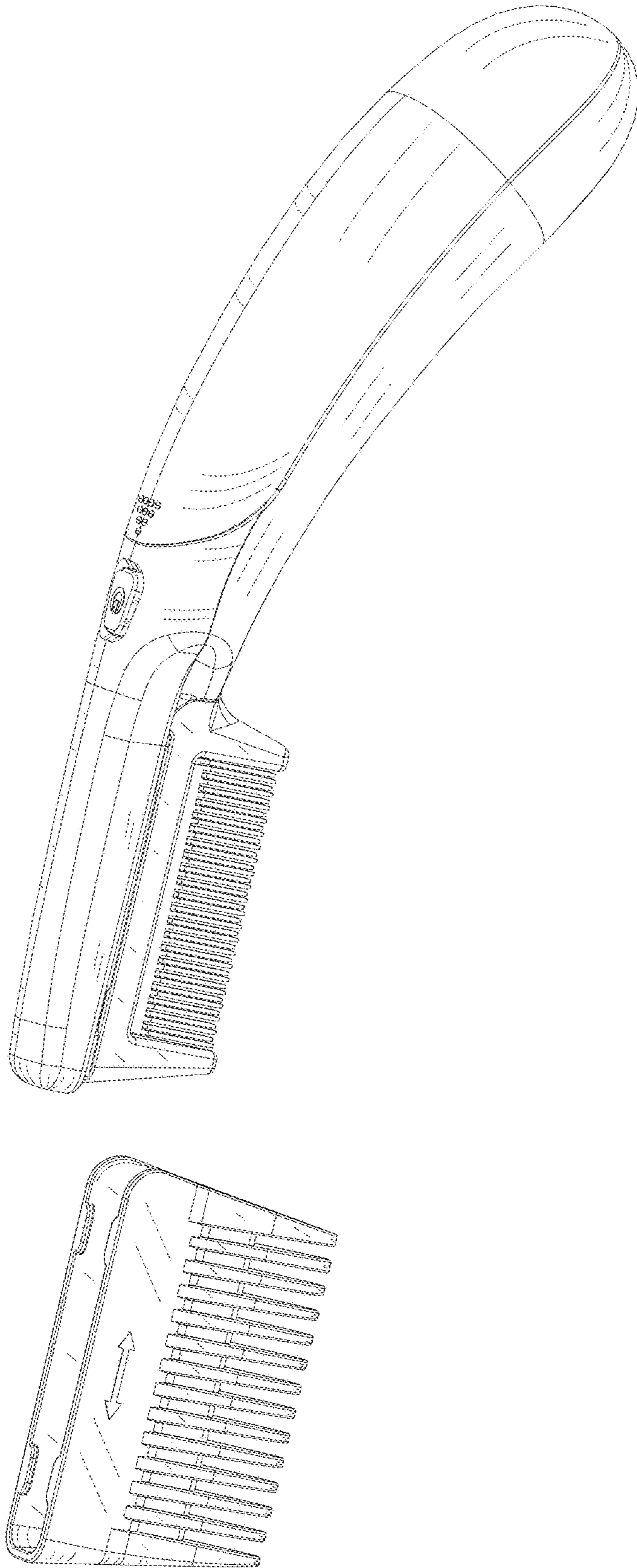


FIG. 8

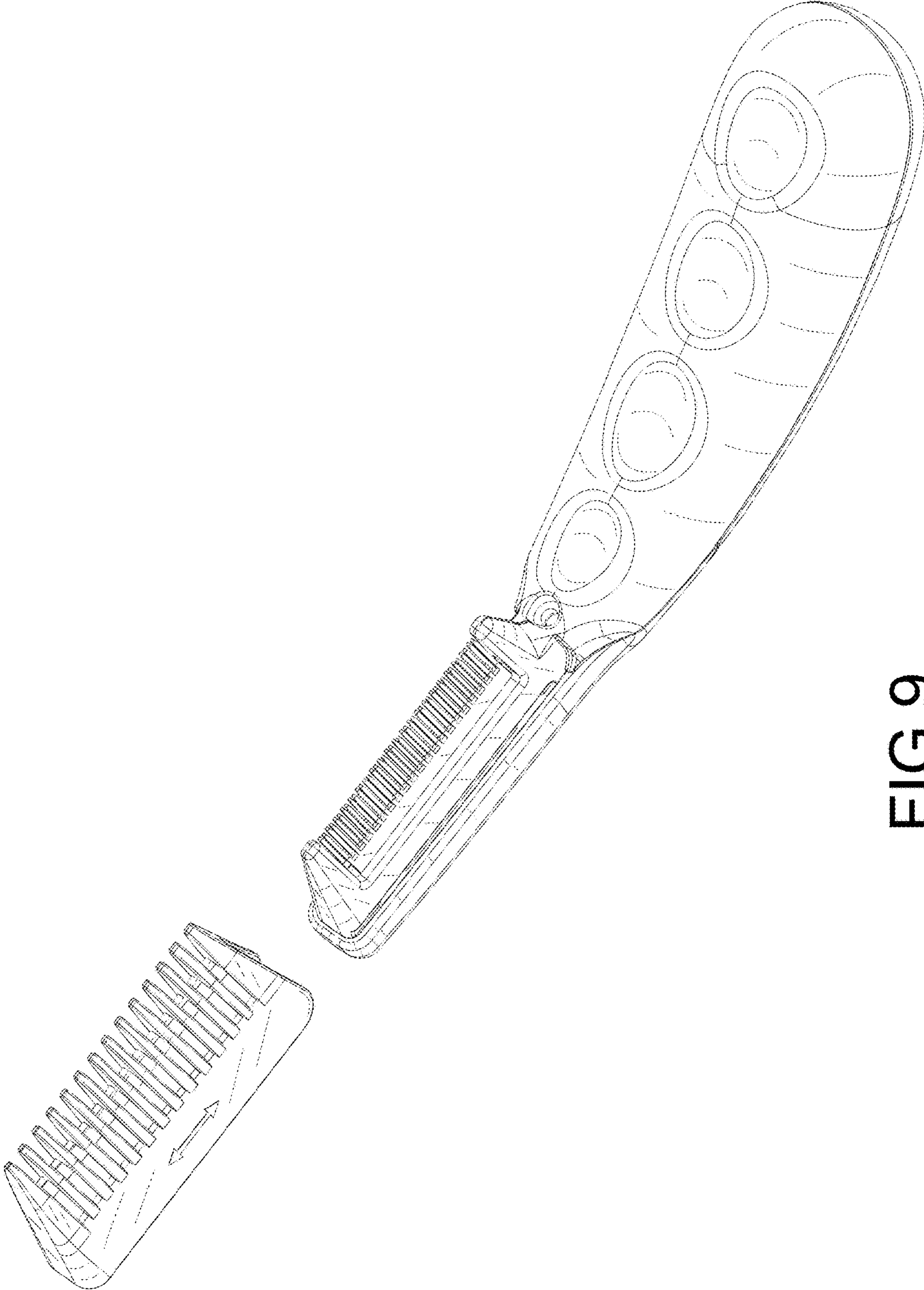


FIG.9

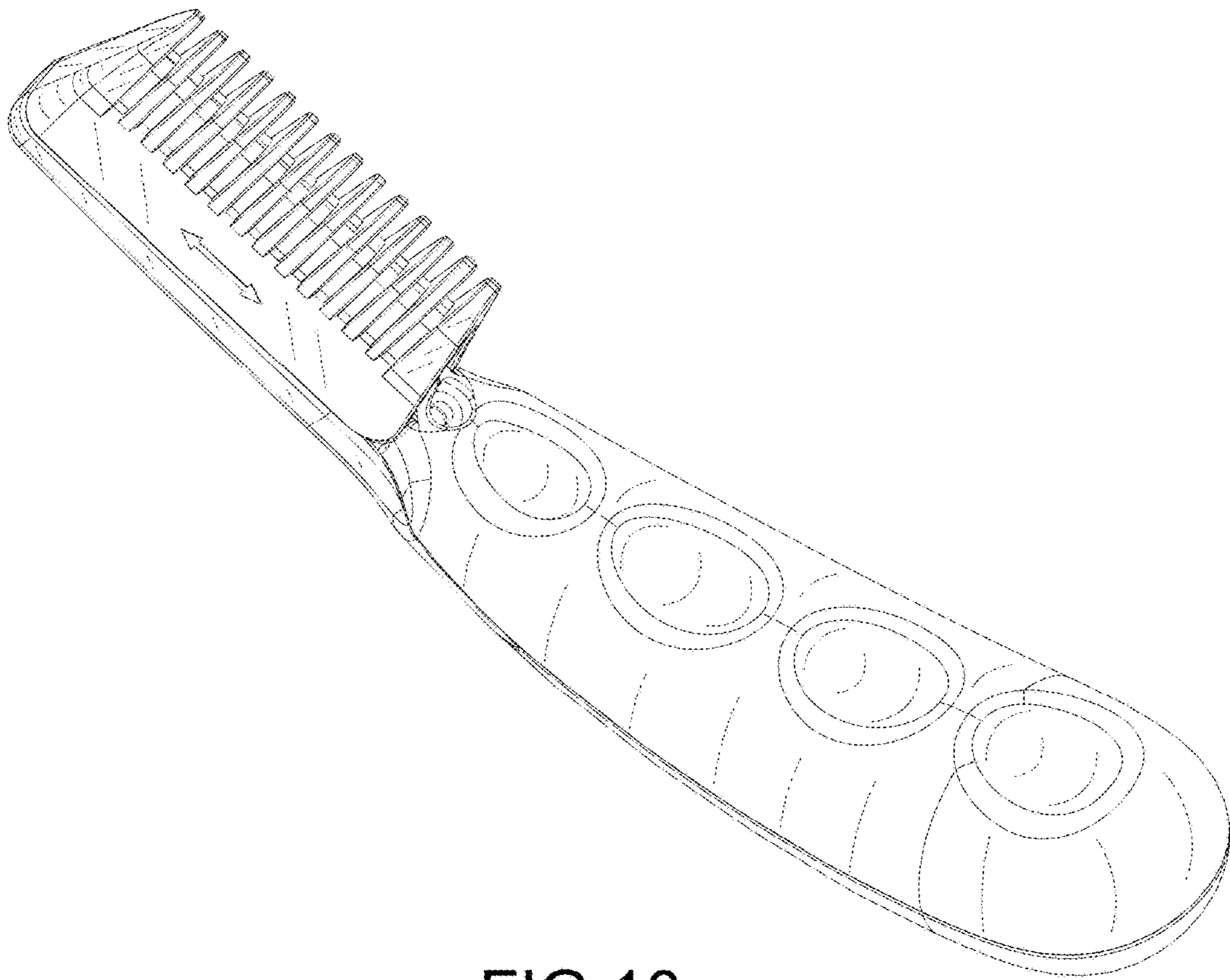


FIG.10