



US00D794248S

(12) **United States Design Patent** (10) **Patent No.:** **US D794,248 S**  
**Tokko** (45) **Date of Patent:** **\*\* Aug. 8, 2017**

(54) **HAIR EXTENSION TAPE FIXING TOOL**  
(71) Applicant: **Ryan Tokko**, Los Angeles, CA (US)  
(72) Inventor: **Ryan Tokko**, Los Angeles, CA (US)

(\*\*) Term: **15 Years**

(21) Appl. No.: **29/535,511**

(22) Filed: **Aug. 6, 2015**

(51) **LOC (10) Cl.** ..... **28-03**

(52) **U.S. Cl.**  
USPC ..... **D28/10**

(58) **Field of Classification Search**  
USPC ..... D28/9-10; D8/52-58, 60  
CPC .. A41G 5/0086; A41G 5/0013; A41G 5/0053;  
A41G 5/0073; A41G 5/008  
See application file for complete search history.

(56) **References Cited**

**U.S. PATENT DOCUMENTS**

5,752,530	A *	5/1998	Traintinger	.....	A41G 5/0086
					132/201
5,894,846	A *	4/1999	Gang	.....	A41G 5/0066
					132/201
6,109,274	A *	8/2000	Ingersoll	.....	A41G 5/002
					132/200
6,135,124	A *	10/2000	Grant	.....	A41G 5/0086
					132/201
D771,459	S *	11/2016	Liu	.....	D8/52
2002/0066460	A1 *	6/2002	Johnson	.....	A41G 5/0086
					132/200
2004/0011372	A1 *	1/2004	Park	.....	A41G 5/0046
					132/201
2004/0173233	A1 *	9/2004	Tokko	.....	A41G 5/0086
					132/201
2005/0236007	A1 *	10/2005	Tokko	.....	A41G 5/0086
					132/201
2006/0065280	A1 *	3/2006	Cheung	.....	A41G 5/004
					132/201

2007/0261708	A1 *	11/2007	Makino	.....	A41G 5/0026
					132/201
2008/0011314	A1 *	1/2008	Arroyo	.....	A41G 5/0066
					132/201
2010/0059079	A1 *	3/2010	Tokko	.....	A41G 5/0066
					132/201

(Continued)

**FOREIGN PATENT DOCUMENTS**

EP	0760215	A1 *	3/1997	.....	A41G 5/0066
RU	2140182	C1 *	10/1999	.....	A41G 5/0066

**OTHER PUBLICATIONS**

DHgate hair extension pliers, www.dhgate.com, downloaded Nov. 17, 2016, 1 page.\*

*Primary Examiner* — Jennifer Rivard  
(74) *Attorney, Agent, or Firm* — Chanmin Park

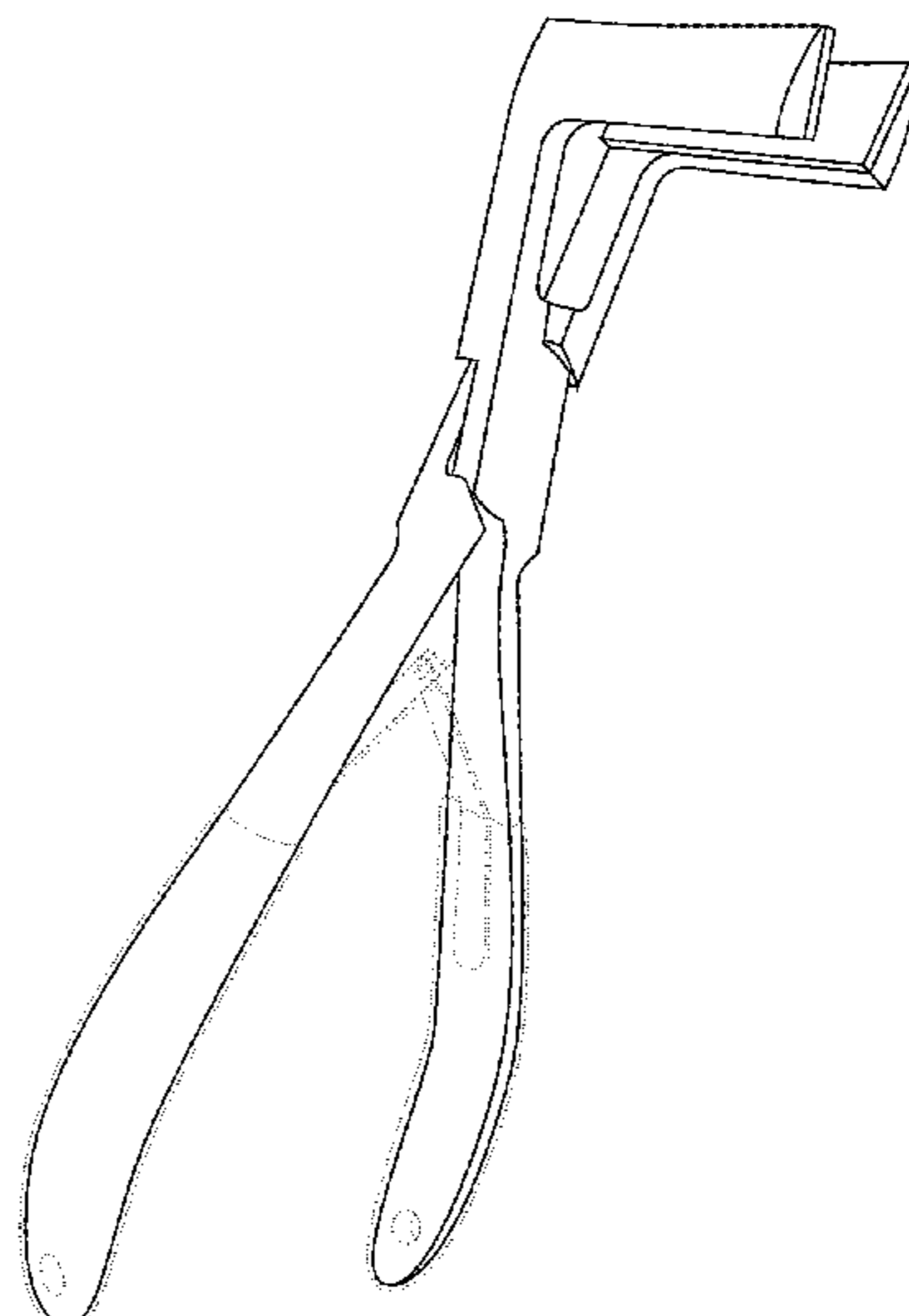
(57) **CLAIM**

The ornamental design for a hair extension tape fixing tool.

**DESCRIPTION**

FIG. 1 is a top plan view of a hair extension tape fixing tool showing my design;  
FIG. 2 is a bottom plan view thereof;  
FIG. 3 is a right side-elevation view thereof;  
FIG. 4 is a left side-elevation view thereof;  
FIG. 5 is a front elevation view thereof;  
FIG. 6 is a rear elevation view thereof;  
FIG. 7 is a front elevation view thereof with the hair extension tape fixing tool in its open state;  
FIG. 8 is a rear elevation view thereof with the hair extension tape fixing tool in its open state; and,  
FIG. 9 is a perspective view thereof with the hair extension tape fixing tool in its open state.  
The broken lines illustrate accessory parts for the hair extension tape fixing tool and form no part of the claimed design.

**1 Claim, 5 Drawing Sheets**



(56)

**References Cited**

U.S. PATENT DOCUMENTS

2011/0203603 A1\* 8/2011 Stotts ..... A41G 5/0086  
132/200  
2014/0230840 A1\* 8/2014 Hill ..... A41G 5/0086  
132/201  
2015/0181968 A1\* 7/2015 Uresti ..... A41G 5/02  
132/286  
2015/0327610 A1\* 11/2015 Williams ..... A41G 3/0033  
132/201  
2016/0309870 A1\* 10/2016 Pao ..... A45D 19/0008

\* cited by examiner

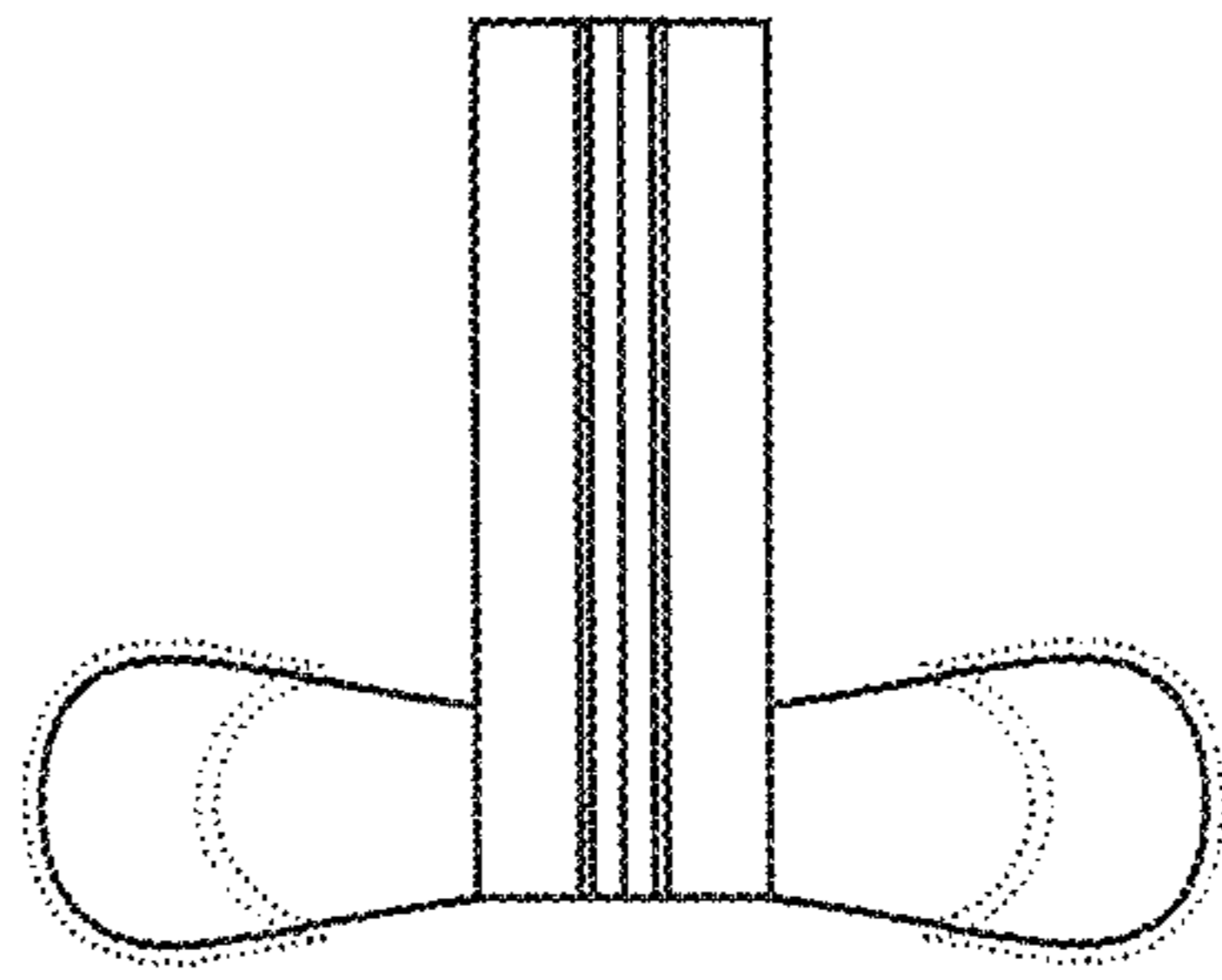


FIG. 1

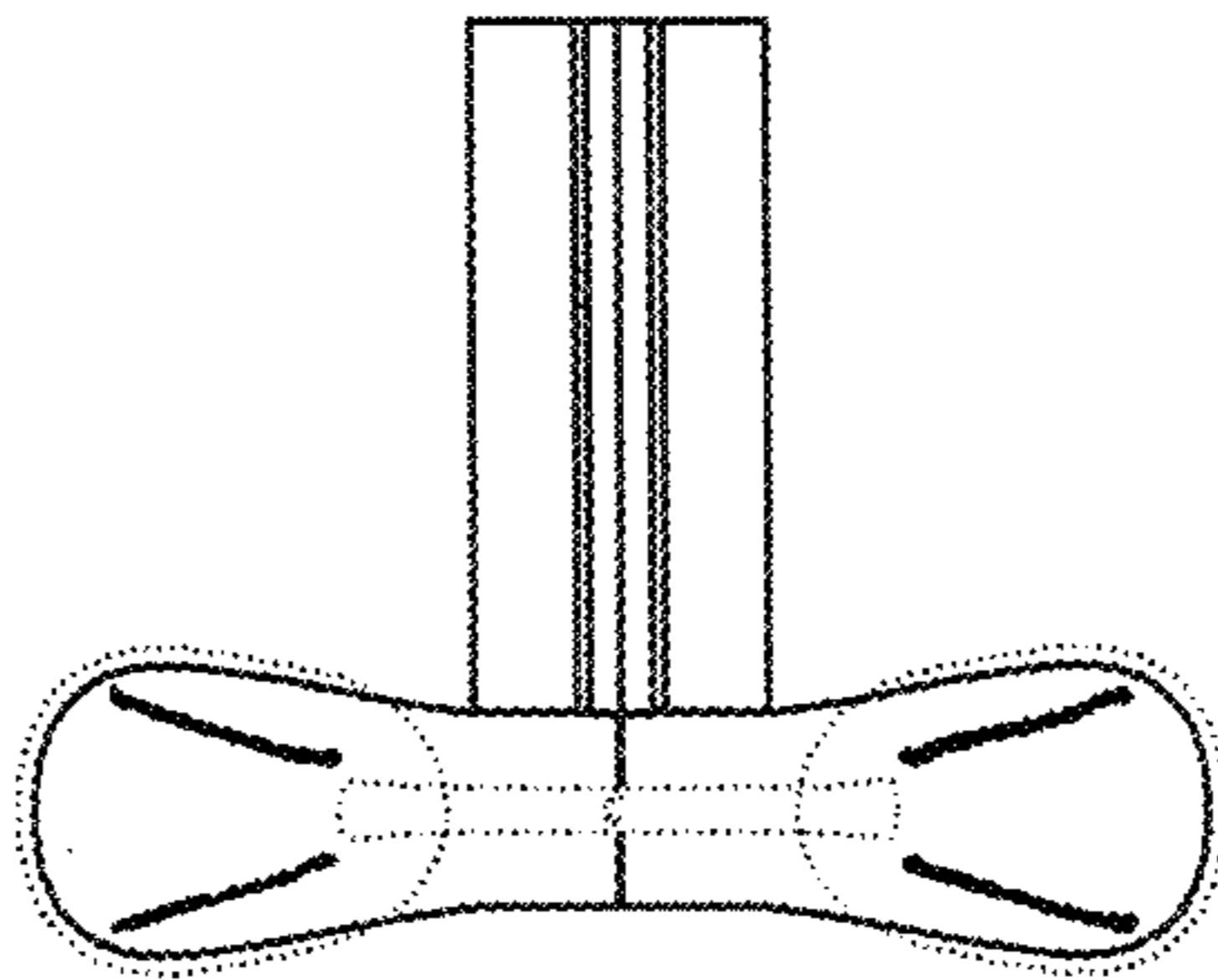


FIG. 2

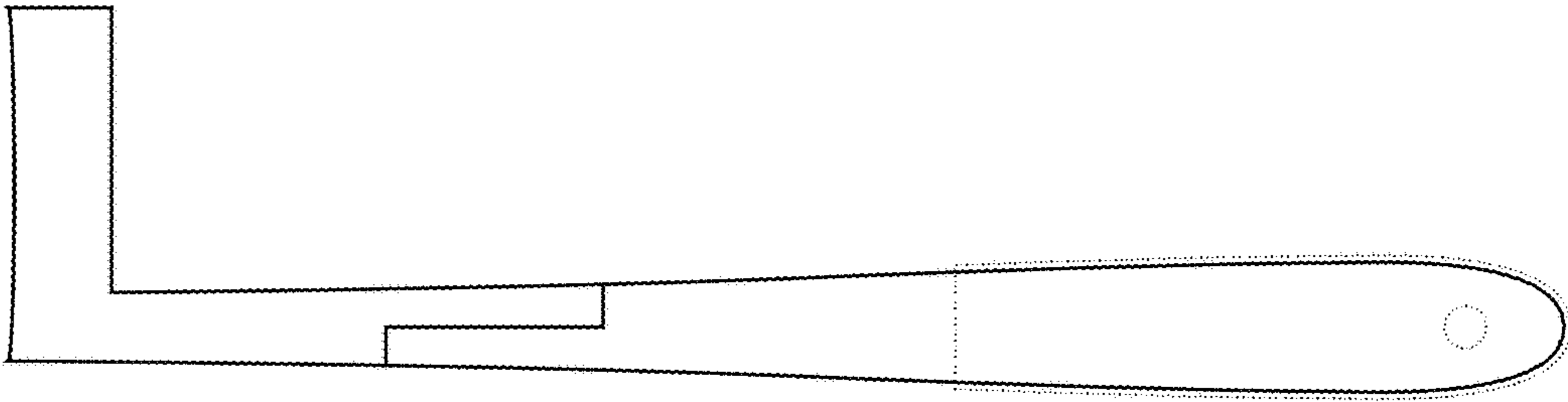


FIG. 3

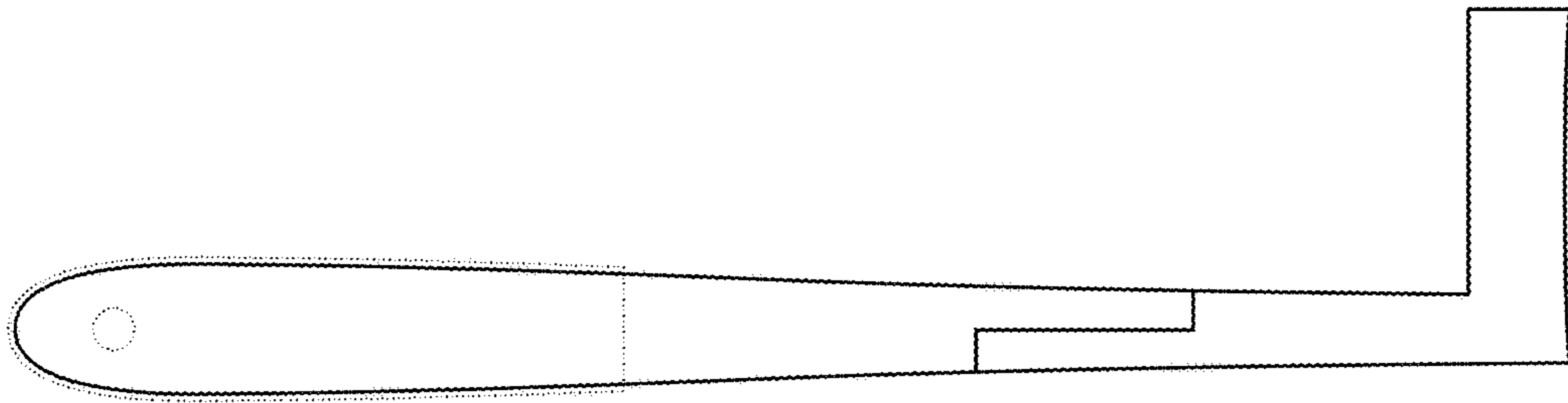


FIG. 4

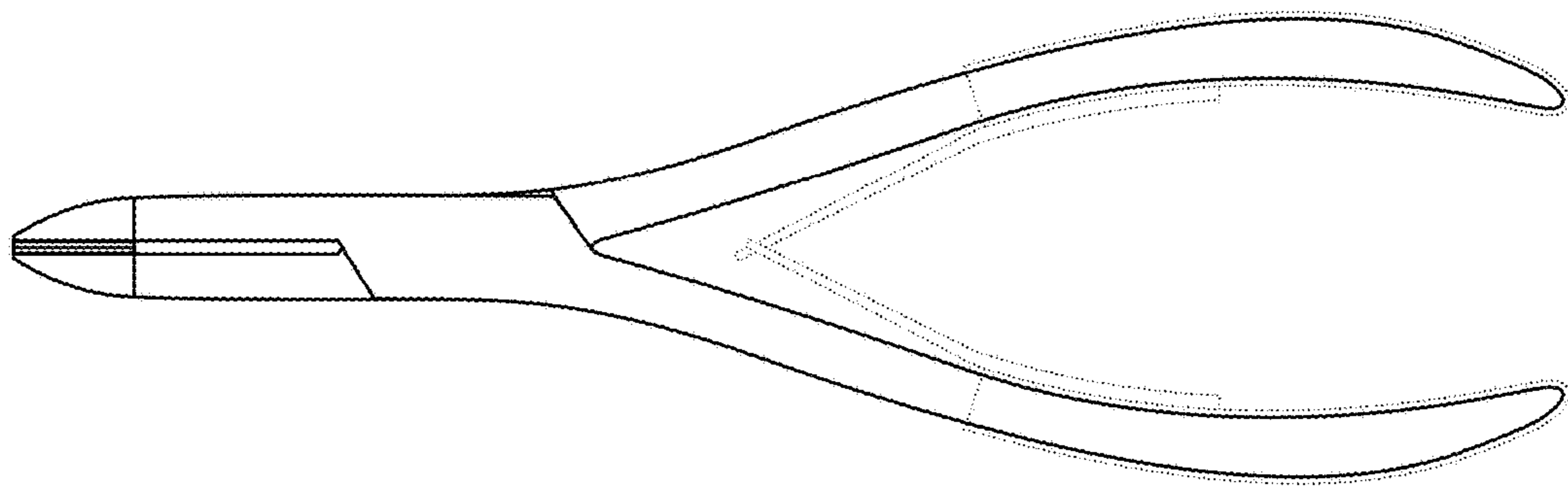


FIG. 5

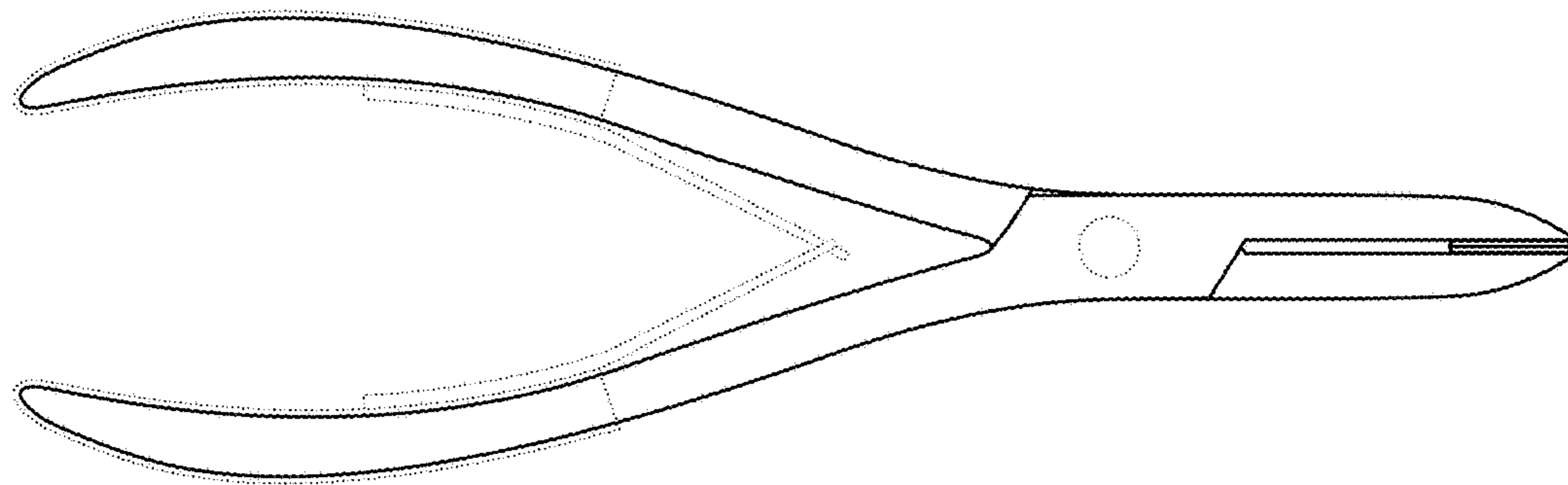


FIG. 6

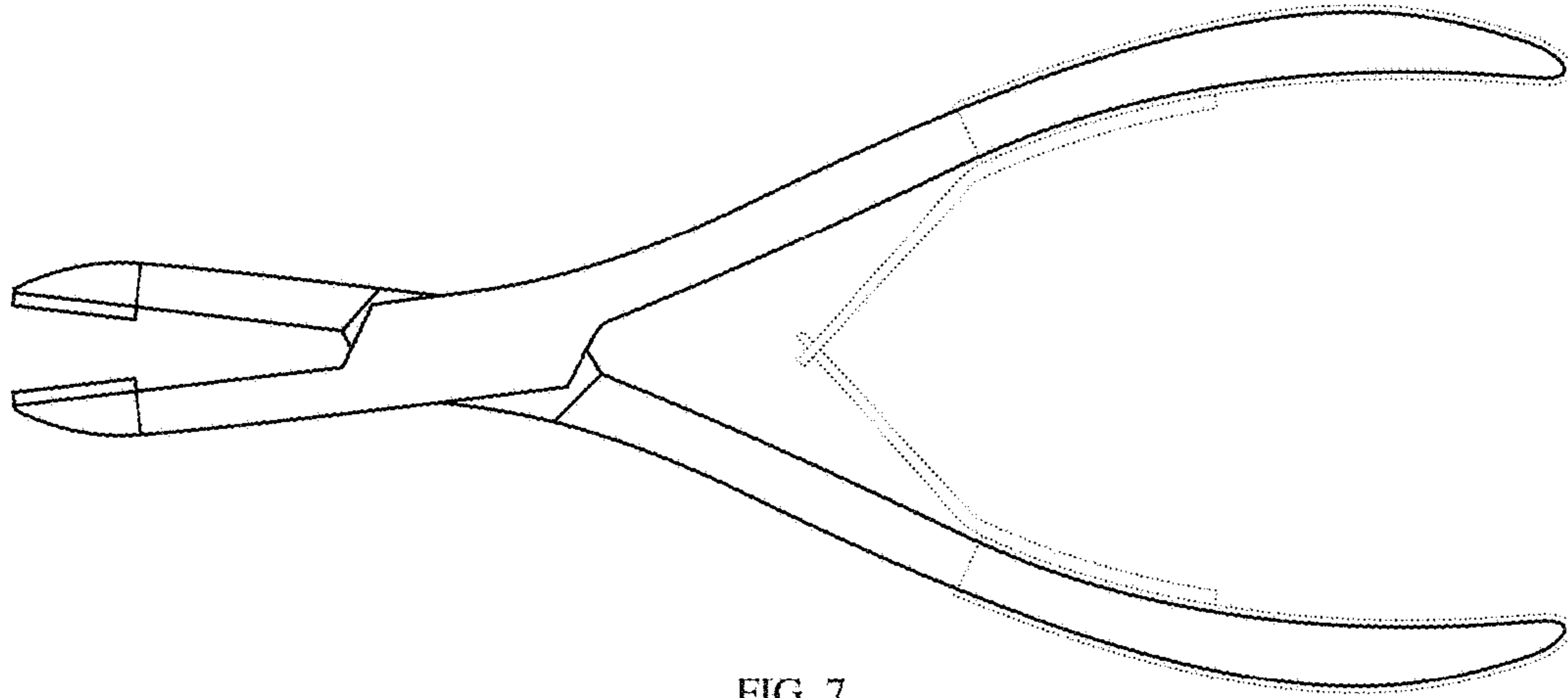


FIG. 7

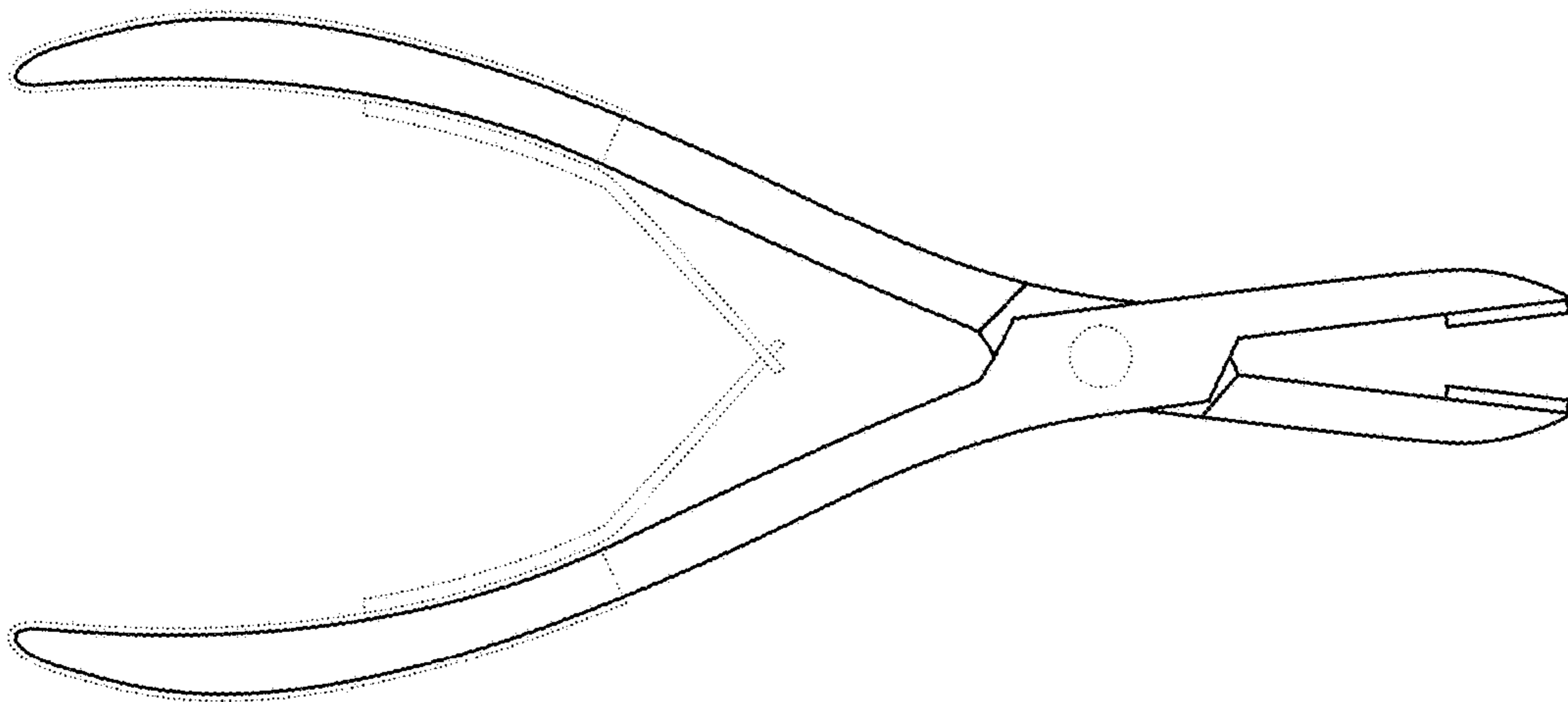


FIG. 8

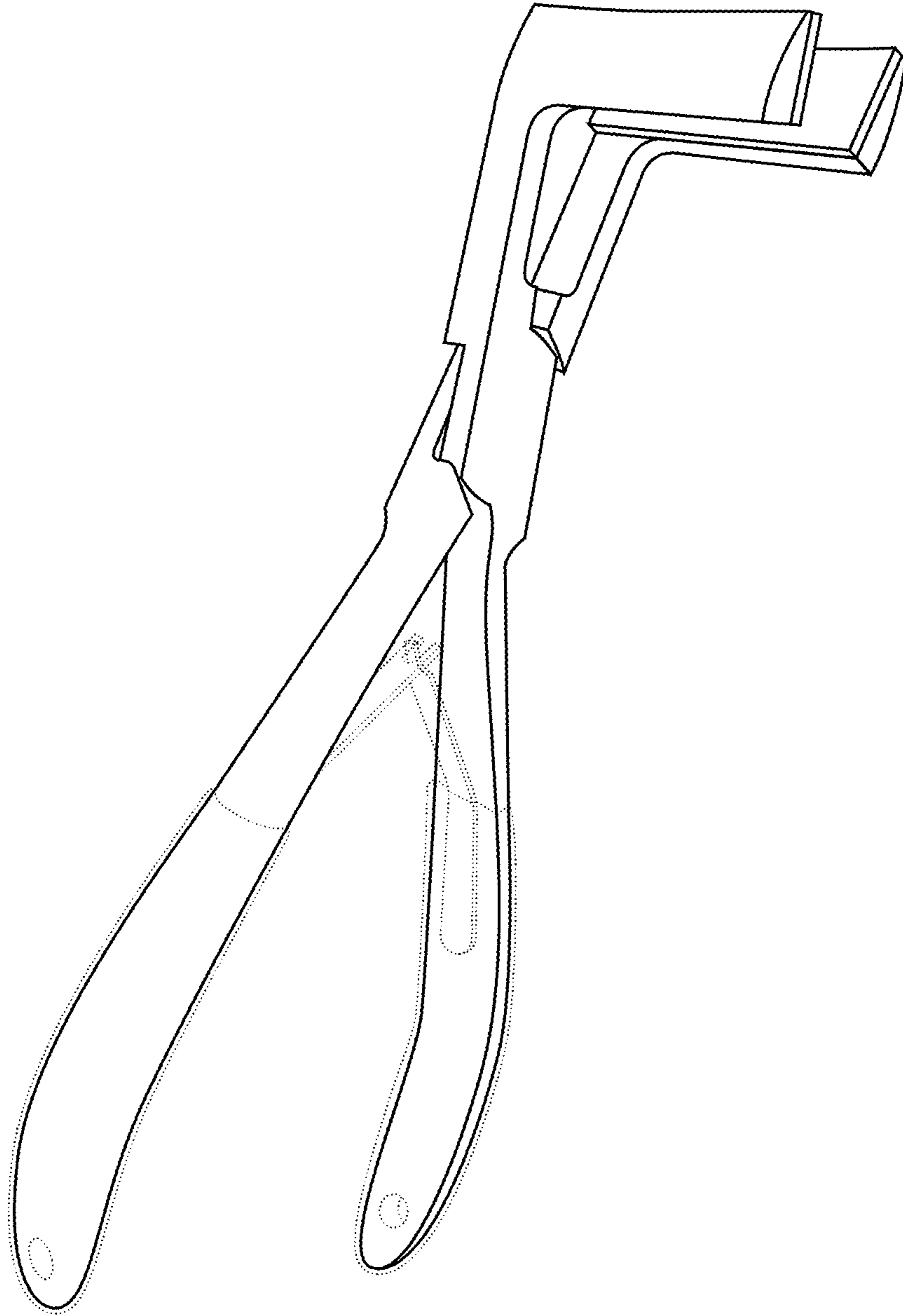


FIG. 9