



US00D794246S

(12) **United States Design Patent** (10) **Patent No.:** **US D794,246 S**
Baxter (45) **Date of Patent:** **** Aug. 8, 2017**

(54) **RING FOR HOLDING A CIGARETTE**

(71) Applicant: **Marc Baxter**, Philadelphia, PA (US)

(72) Inventor: **Marc Baxter**, Philadelphia, PA (US)

(**) Term: **14 Years**

(21) Appl. No.: **29/525,524**

(22) Filed: **Apr. 30, 2015**

(51) **LOC (10) Cl.** **27-06**

(52) **U.S. Cl.**

USPC **D27/183**

(58) **Field of Classification Search**

USPC D27/100-112, 120, 125-130, 136, 137,
D27/138, 143, 161, 162-169, 172, 175,
D27/180, 183, 193, 194, 195

CPC A24C 5/44; A24C 5/42; A24C 5/00; A24F
1/30; A24F 13/00; A24F 13/22; A44C
9/0061

See application file for complete search history.

(56) **References Cited**

U.S. PATENT DOCUMENTS

717,281	A *	12/1902	Ross	A24F 13/14 131/175
892,812	A *	7/1908	Day	A24F 13/22 131/258
1,269,491	A *	6/1918	Murray	A24F 13/22 131/258
1,309,707	A	7/1919	Tinnin		
1,429,176	A *	9/1922	Toennes	A24F 13/30 446/24
1,434,590	A	11/1922	Chafetz		
1,529,135	A *	3/1925	Kelly	A63H 33/28 446/24
1,641,517	A	9/1927	Yessaian		
1,647,322	A	11/1927	Valero		

(Continued)

FOREIGN PATENT DOCUMENTS

CN	201073041	Y	6/2008
DE	3309309	A1	9/1984

(Continued)

OTHER PUBLICATIONS

“Tongue in Cheek: French Antique Guessing Games & Giveaways,”
[online] <URL: [http://web.archive.org/web/20131117181809/
http://willows95988.typepad.com/tongue_cheek/challenges/](http://web.archive.org/web/20131117181809/http://willows95988.typepad.com/tongue_cheek/challenges/)>.

Primary Examiner — Robert M Spear

Assistant Examiner — Marissa J Cash

(74) *Attorney, Agent, or Firm* — Morgan, Lewis &
Bockius LLP

(57) **CLAIM**

The ornamental design for a ring for holding a cigarette, as shown and described.

DESCRIPTION

FIG. 1 is a rear perspective view of a ring for holding a cigarette in accordance with my new design;

FIG. 2 is a right side view of the ring for holding a cigarette shown in FIG. 1;

FIG. 3 is a left side view of the ring for holding a cigarette shown in FIG. 1;

FIG. 4 is a front view of the ring for holding a cigarette shown in FIG. 1;

FIG. 5 is a rear view of the ring for holding a cigarette shown in FIG. 1;

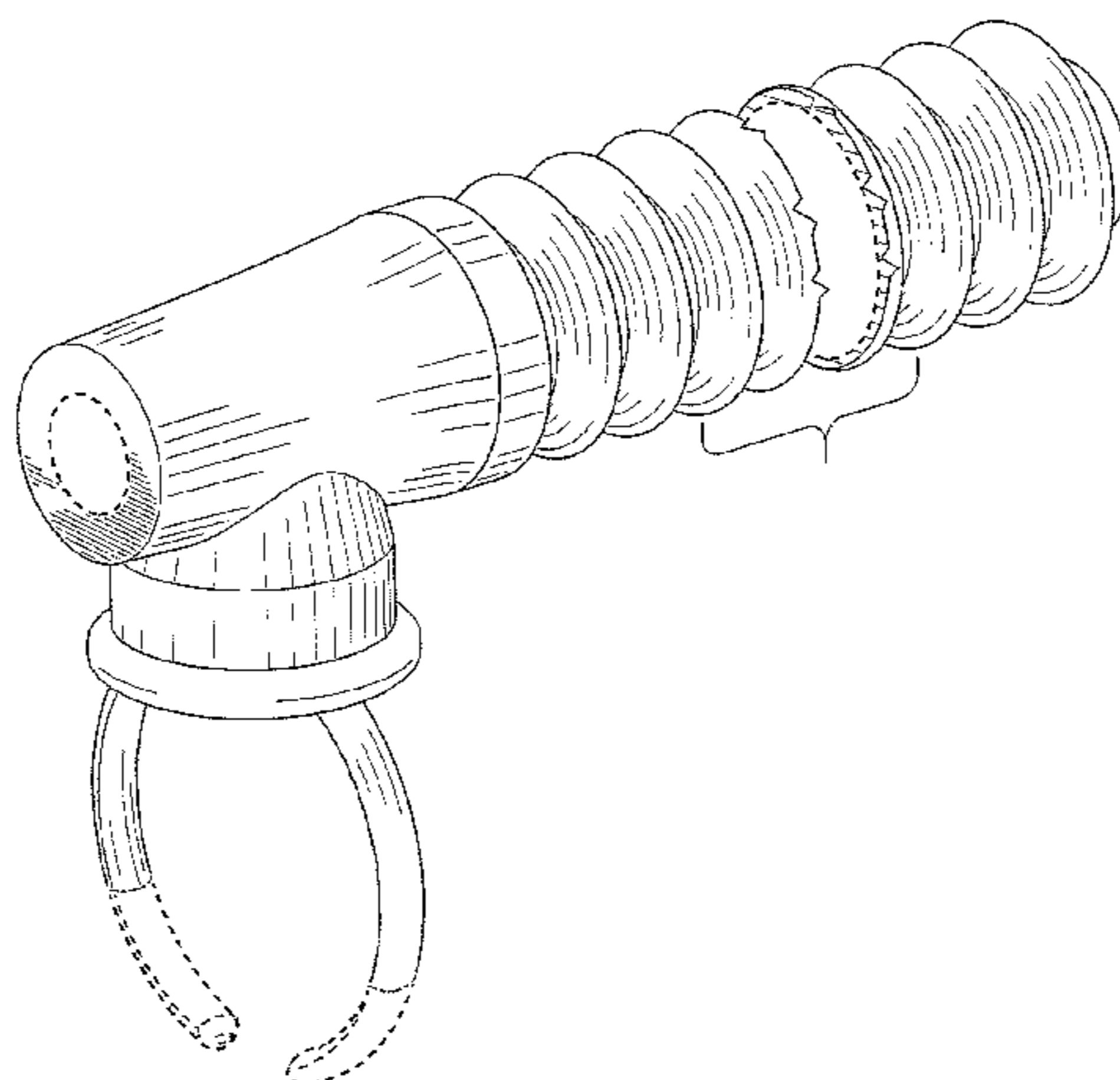
FIG. 6 is a top view of the ring for holding a cigarette shown in FIG. 1;

FIG. 7 is a bottom view of the ring for holding a cigarette shown in FIG. 1; and,

FIG. 8 is a front perspective view of the ring for holding a cigarette shown in FIG. 1.

The broken lines shown in the drawings form no part of the claimed design. Any portion of the smoke ring between the bracketed discontinuous center break shown in the drawings form no part of the claimed design.

1 Claim, 5 Drawing Sheets



(56)

References Cited

U.S. PATENT DOCUMENTS

1,864,747 A * 6/1932 McAniff A24F 13/22
 131/258
 1,893,269 A * 1/1933 Burnett A24F 13/22
 131/258
 1,906,267 A 5/1933 Hogg
 1,976,653 A * 10/1934 Brueck A24F 13/22
 131/257
 2,021,415 A * 11/1935 Gorman A24F 13/22
 131/186
 2,109,609 A 3/1938 Aull
 2,138,983 A 12/1938 Rich, Jr.
 D143,593 S * 1/1946 Hollenbeck 131/194
 2,506,666 A * 5/1950 Graham A24F 13/18
 131/240.1
 D161,033 S * 11/1950 Marcus 131/258
 D177,954 S * 6/1956 Adams 131/235.1

2,767,718 A * 10/1956 Hedrick A24F 13/22
 131/258
 2,965,107 A * 12/1960 Lehv A24F 13/18
 131/256
 3,765,427 A 10/1973 Bell
 3,930,510 A 1/1976 Johnston
 4,553,556 A 11/1985 Lephardt
 D496,500 S * 9/2004 Monique F23Q 25/00
 D29/127
 D604,010 S * 11/2009 Borden D27/164
 D739,074 S * 9/2015 Bennett D27/136
 2006/0266374 A1 * 11/2006 Nyborg A44C 9/0061
 131/258
 2009/0038627 A1 2/2009 Ben Shitrit

FOREIGN PATENT DOCUMENTS

GB 585750 2/1947
 GB 602955 6/1948

* cited by examiner

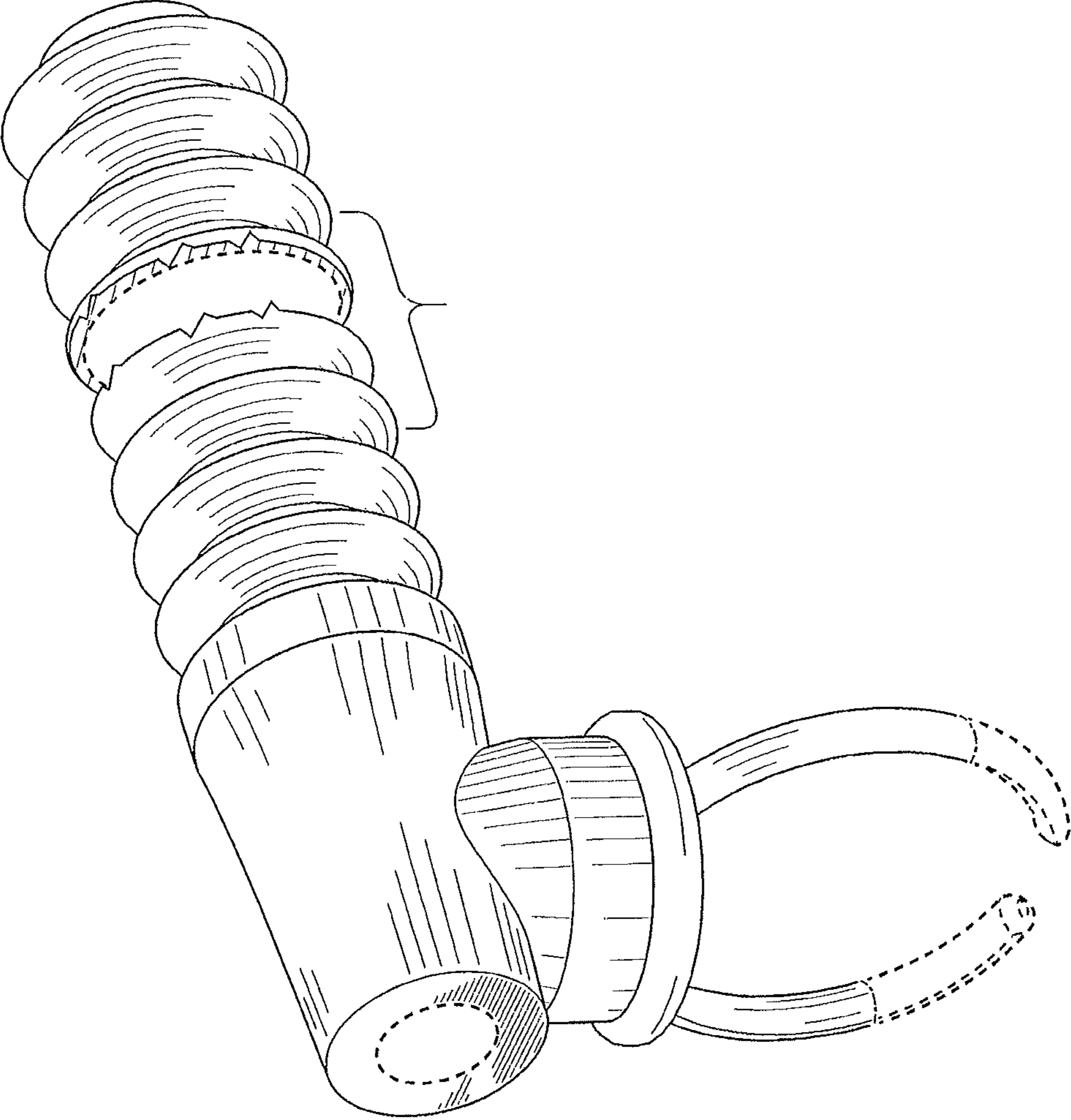


FIG. 1

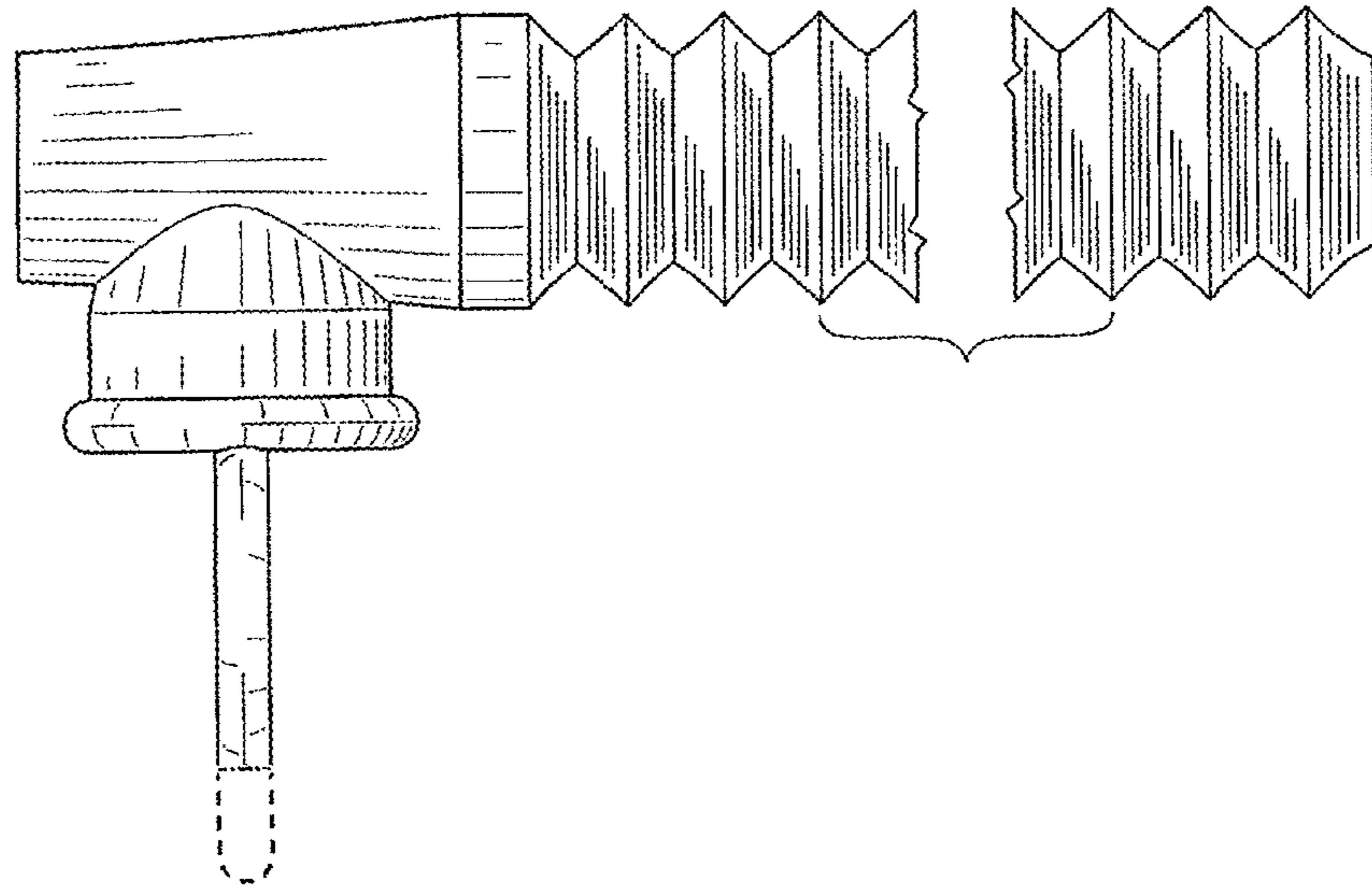


FIG. 2

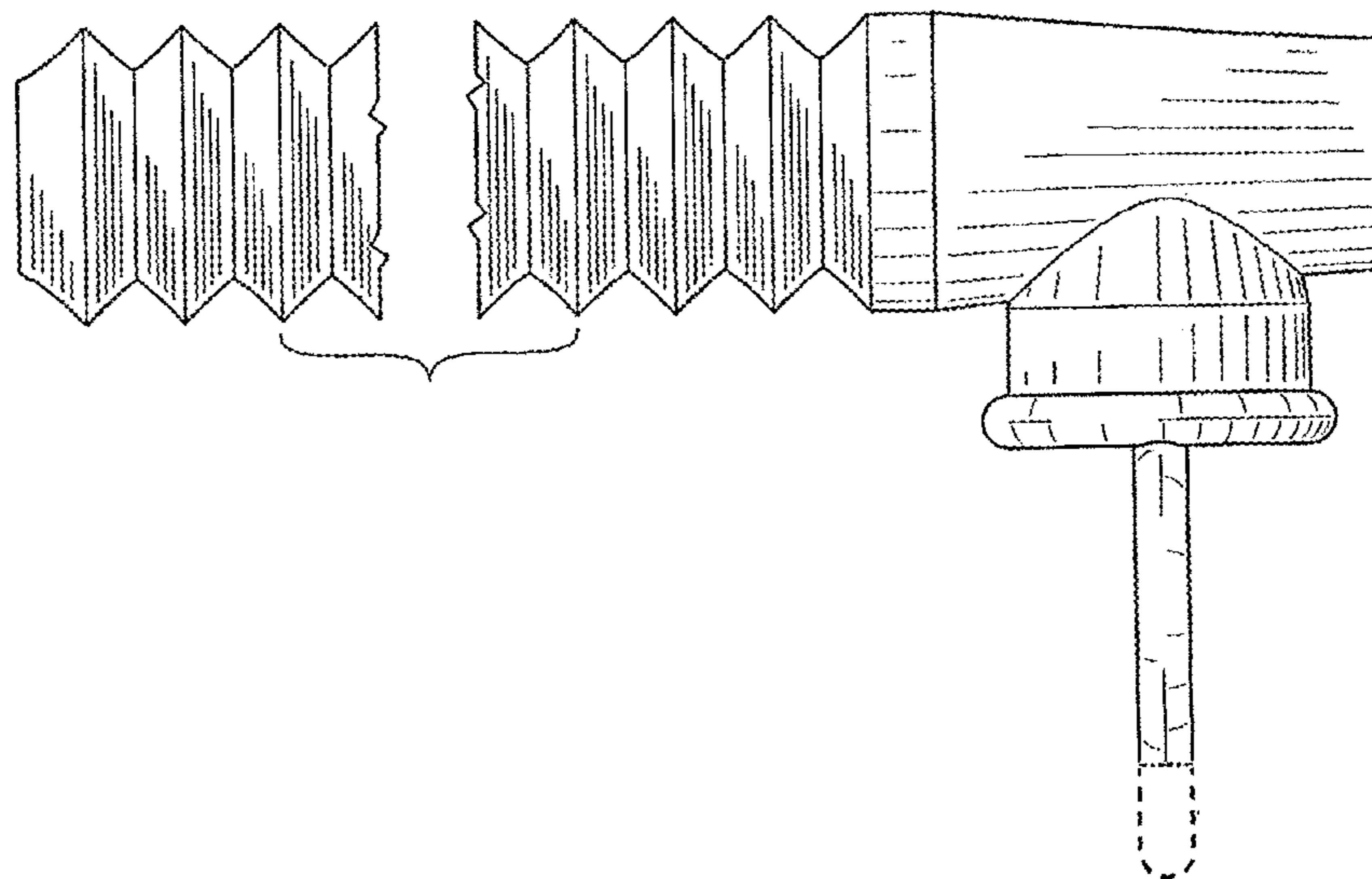


FIG. 3

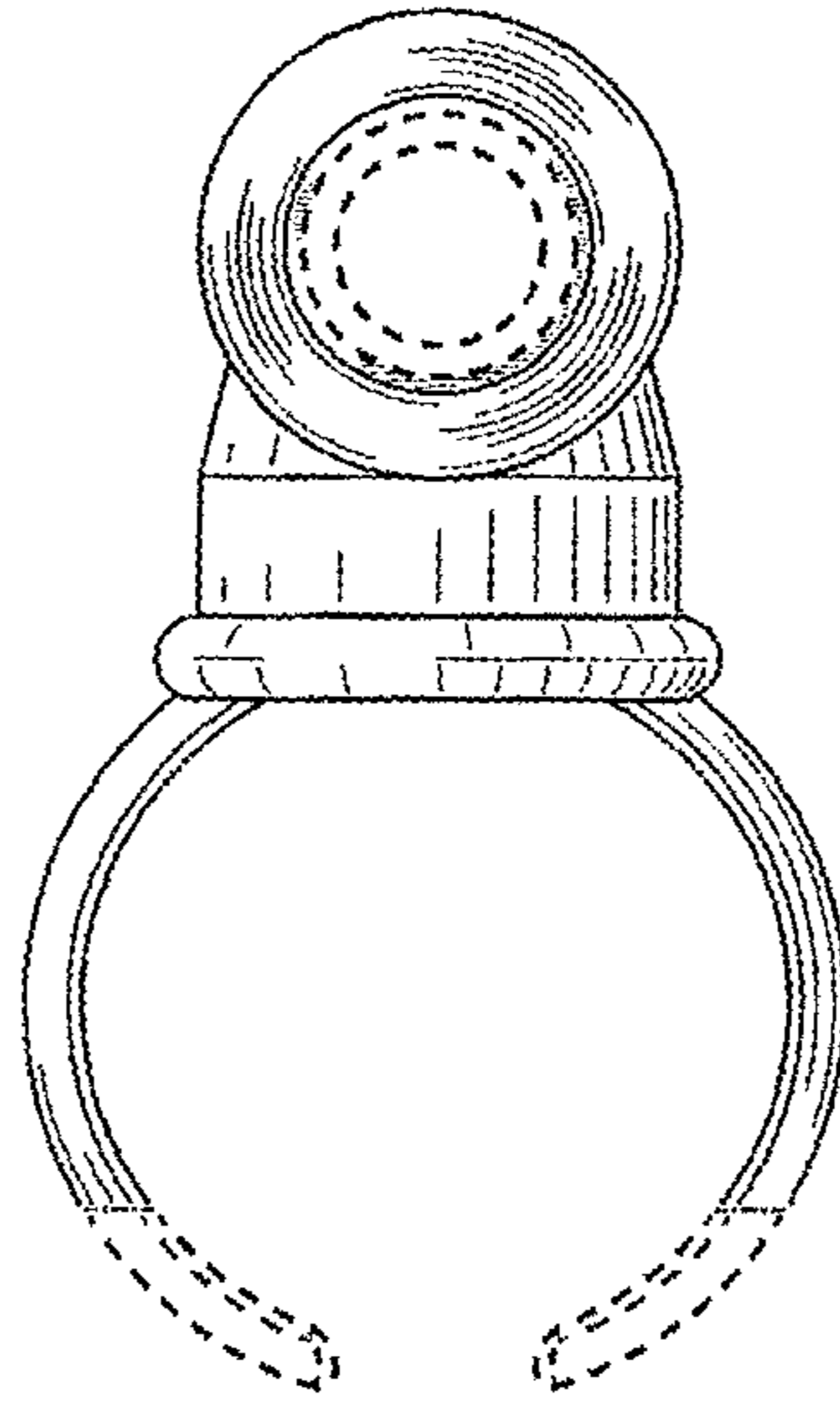


FIG. 4

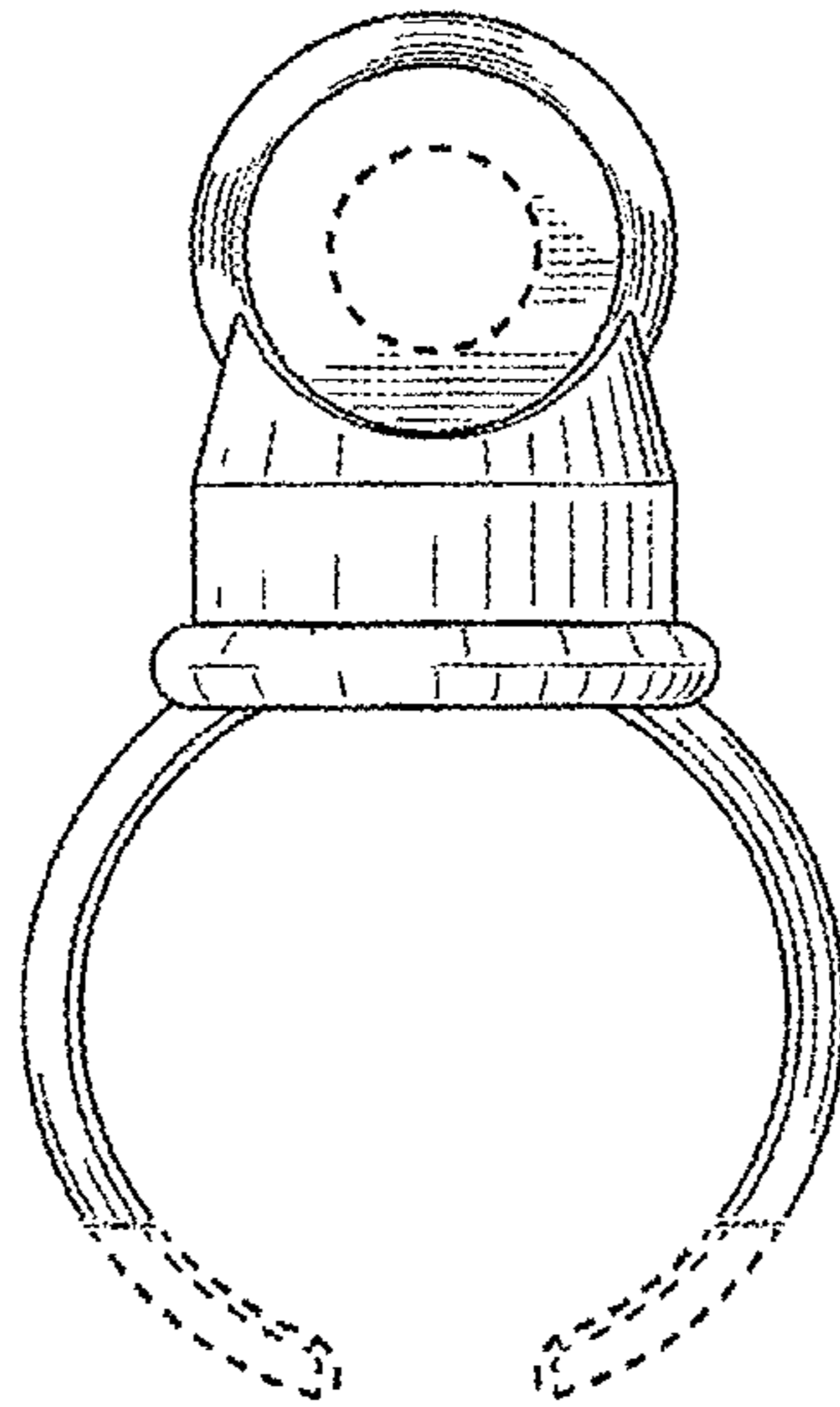


FIG. 5

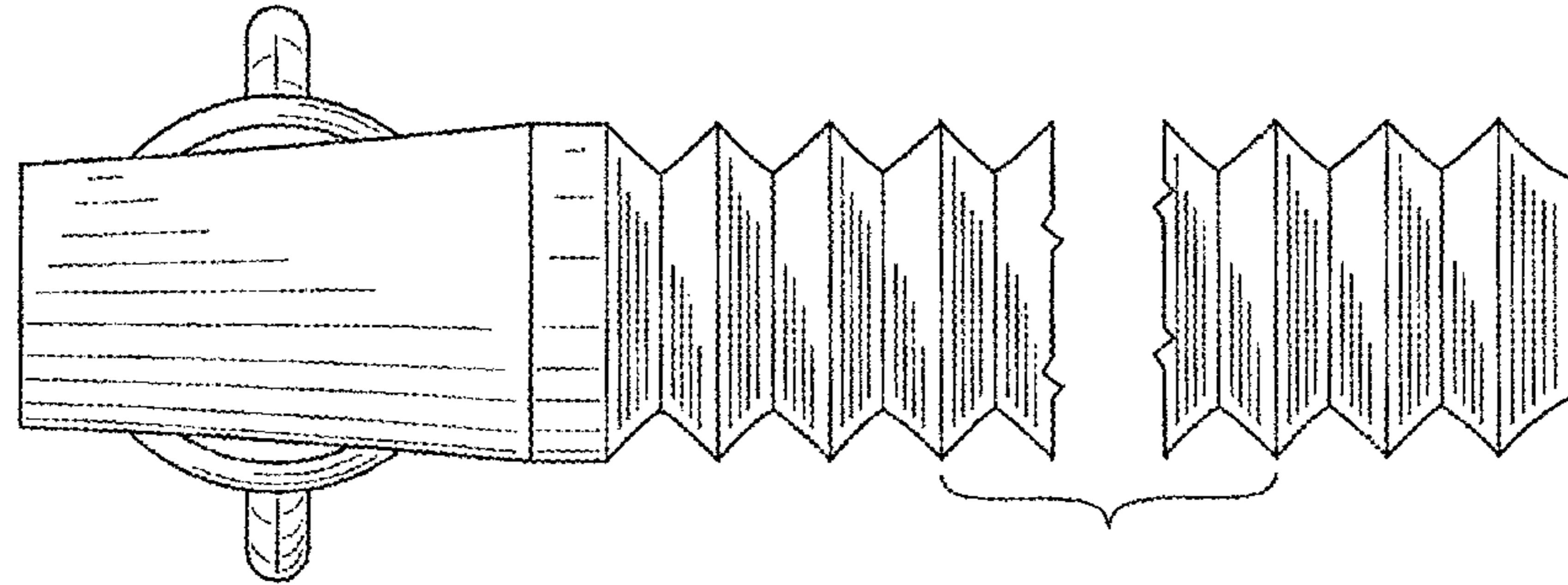


FIG. 6

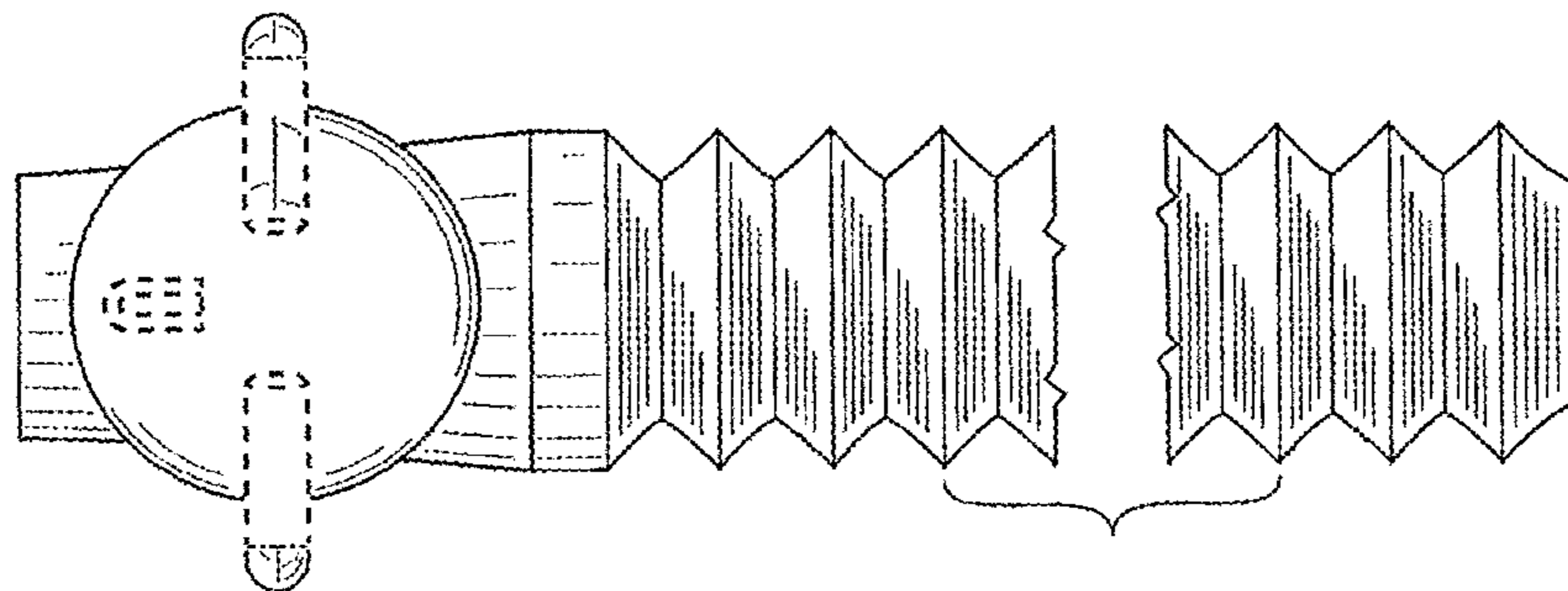


FIG. 7

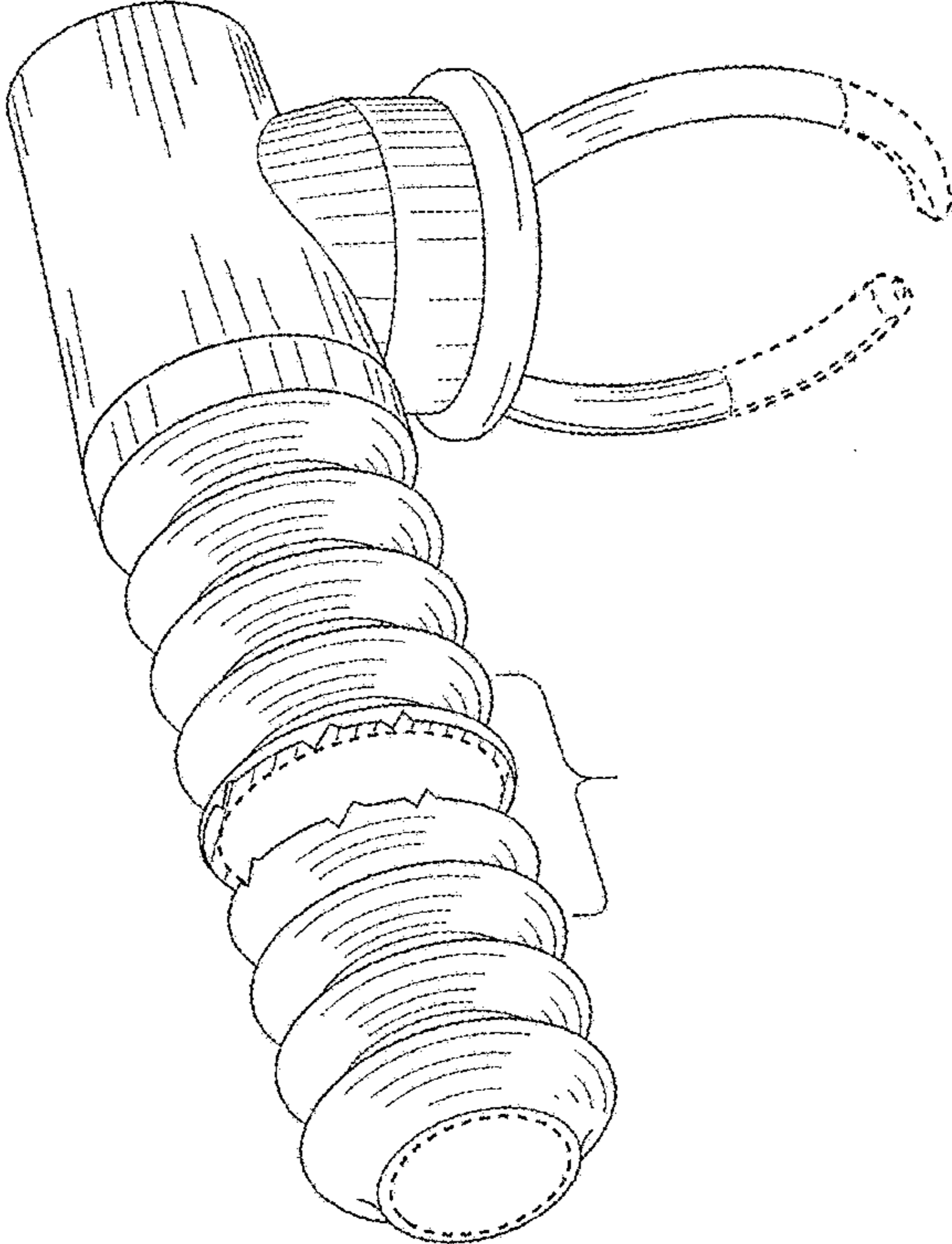


FIG. 8