



US00D794244S

(12) **United States Design Patent** (10) **Patent No.:** **US D794,244 S**
Heaton et al. (45) **Date of Patent:** **** Aug. 8, 2017**

(54) **ADJUSTABLE ARMATURE INCLUDING PIVOTABLE KNUCKLE**

(71) Applicant: **Musco Corporation**, Oskaloosa, IA (US)

(72) Inventors: **Steven T. Heaton**, Oskaloosa, IA (US);
Chris P. Lickiss, Newton, IA (US)

(73) Assignee: **Musco Corporation**, Oskaloosa, IA (US)

(**) Term: **15 Years**

(21) Appl. No.: **29/566,248**

(22) Filed: **May 27, 2016**

(51) **LOC (10) Cl.** **26-99**

(52) **U.S. Cl.**
USPC **D26/138**

(58) **Field of Classification Search**
USPC D26/113, 138, 44, 60-66, 140-142, 152,
D26/155, 120, 122; D8/349, 355;
D15/122-143
CPC H05B 37/0272; H05B 33/0803; H05B
37/0227; H05B 37/0263; H05B 37/02;
H05B 37/0218; H05B 37/0254; H05B
37/0281; H05B 33/0815; H05B 33/0845;
H05B 33/0857; H05B 37/0245; H05B
33/0842; H05B 33/0854; H05B 33/0866;
H05B 33/0809; H05B 33/0833; H05B
33/0848; H05B 33/0851; H05B 33/086;
(Continued)

(56) **References Cited**

U.S. PATENT DOCUMENTS

D158,803 S 5/1950 Russell
D195,876 S 8/1963 Atkin et al.
(Continued)

FOREIGN PATENT DOCUMENTS

EP 2056020 A1 5/2009
RU 2125681 C1 1/1999
(Continued)

OTHER PUBLICATIONS

Musco Corporation, PCT/US2012/037935 filed May 15, 2012, Transmittal of International Preliminary Report on Patentability), mailed Dec. 12, 2013, 8 pages.
(Continued)

Primary Examiner — Ian Simmons
Assistant Examiner — Khawaja Anwar
(74) *Attorney, Agent, or Firm* — McKee, Voorhees & Sease, PLC

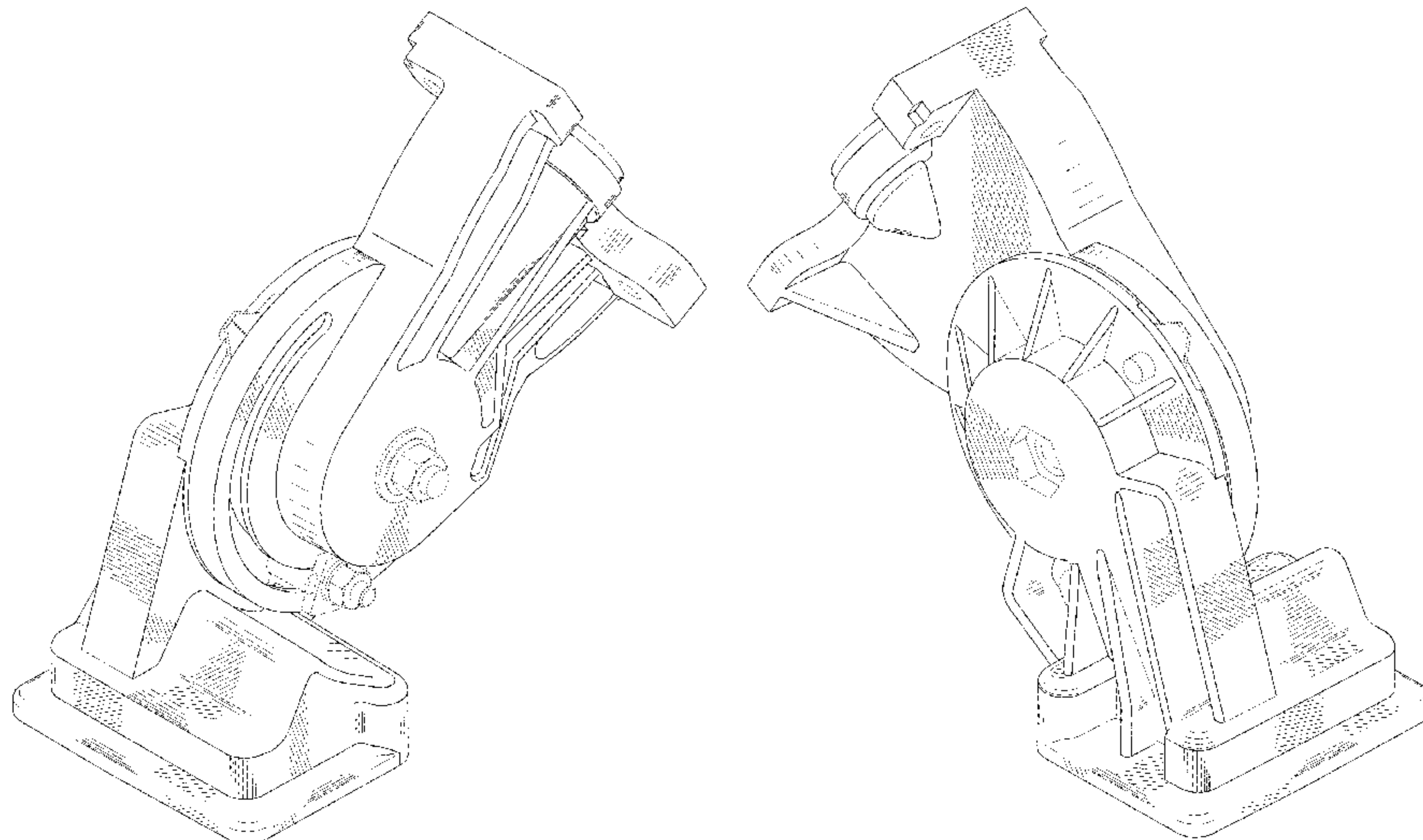
(57) **CLAIM**

The ornamental design for an adjustable armature including pivotable knuckle, as shown and described.

DESCRIPTION

FIG. 1 is a perspective view of an adjustable armature including pivotable knuckle, showing our new design; FIG. 2 is a front elevation view thereof; FIG. 3 is a back elevation view thereof; FIG. 4 is a right side elevation view thereof; FIG. 5 is a left side elevation view thereof; FIG. 6 is a top plan view thereof; FIG. 7 is a bottom plan view thereof; FIG. 8 is another perspective view thereof; FIG. 9 is an reduced in scale perspective view showing in a usage condition; and, FIG. 10 is another perspective view thereof. The broken lines shown in the drawings illustrate the portions of the Adjustable Armature Including Pivotable Knuckle that form no part of the claimed design, further the broken lines shown in the FIGS. 9 and 10 illustrate an unclaimed environment and none of the broken lines form any part of the claimed design.

1 Claim, 10 Drawing Sheets



(58) **Field of Classification Search**

CPC H05B 33/0863; H05B 33/0884; H05B 33/0887; H05B 33/089; H05B 33/10; H05B 33/14; H05B 37/0236; H05B 39/08; H05B 41/2828; H05B 41/36; H05B 41/3921

See application file for complete search history.

(56) **References Cited**

U.S. PATENT DOCUMENTS

3,358,133 A 12/1967 Thoman et al.
 D246,131 S 10/1977 Schifrin
 D254,694 S * 4/1980 Drost D26/63
 D255,034 S * 5/1980 Welsch D15/126
 D300,570 S 4/1989 DeCandia
 D332,318 S 1/1993 Reding
 5,647,661 A 7/1997 Gordin
 D391,382 S 2/1998 Rahn
 D399,327 S * 10/1998 Lin D26/63
 5,887,969 A 3/1999 Gordin
 D411,025 S 6/1999 Rahn
 D412,592 S 8/1999 Kowalenko et al.
 6,059,429 A * 5/2000 Bodell F21V 21/26
 362/269
 6,220,726 B1 4/2001 Gordin
 6,250,596 B1 6/2001 Gordin et al.
 D445,936 S 7/2001 Mier-Langner et al.
 D472,339 S 3/2003 Russello et al.
 D475,154 S 5/2003 Binsukor
 7,484,866 B1 2/2009 Buse
 D622,900 S * 8/2010 Chiu D26/140
 D636,525 S 4/2011 Chan
 D641,908 S 7/2011 McKee
 D644,370 S 8/2011 Lickiss
 8,007,131 B2 8/2011 Liu et al.
 D646,826 S 10/2011 Smith
 8,104,927 B2 1/2012 Gordin et al.
 D653,797 S * 2/2012 McKee D26/138
 D659,280 S 5/2012 Guercio et al.
 D672,908 S 12/2012 Wilcox et al.
 D694,449 S 11/2013 Walker et al.

D695,949 S 12/2013 Gordin et al.
 D695,950 S 12/2013 Gordin et al.
 D700,920 S * 3/2014 DeVitis D15/123
 8,789,967 B2 7/2014 Gordin et al.
 D716,990 S 11/2014 Yu
 2006/0198145 A1 9/2006 Gordin
 2009/0122550 A1 5/2009 Gordin et al.
 2010/0110671 A1 5/2010 Gordin et al.
 2010/0165654 A1 7/2010 Okubo et al.
 2011/0074313 A1 3/2011 Gordin
 2011/0149582 A1 * 6/2011 McKee F16M 11/10
 362/382
 2012/0039077 A1 2/2012 Householder
 2013/0250556 A1 9/2013 Gordin et al.
 2014/0301078 A1 10/2014 Gordin et al.
 2015/0029721 A1 1/2015 Kim

FOREIGN PATENT DOCUMENTS

WO 9633368 A1 10/1996
 WO 2012166347 A2 12/2012
 WO 2013173837 A1 11/2013

OTHER PUBLICATIONS

Musco Corporation, PCT/US2013/041863 filed May 20, 2013, "The International Search Report and the Written Opinion of the International Searching Authority, or the Declaration" mailed Aug. 28, 2013, 13 pages.
 Musco Corporation, PCT/US2012/037935 filed May 15, 2012, "The International Search Report and the Written Opinion of the International Searching Authority, or the Declaration" mailed Jan. 29, 2013, 13 pages.
 Musco Corporation, PCT/US2013/041863 filed May 20, 2013, Transmittal of International Preliminary Report on Patentability), mailed Nov. 27, 2014, 8 pages.
 Musco Corporation, Application No. 13791654.0/PCT/US2013/041863, "Extended European Search Report" mailed Oct. 25, 2016.
 Musco Corporation, U.S. Appl. No. 29/500,935, filed Aug. 29 2014, "Information Disclosure Statement" filed with USPTO on Aug. 29, 2014, 4 pages.

* cited by examiner

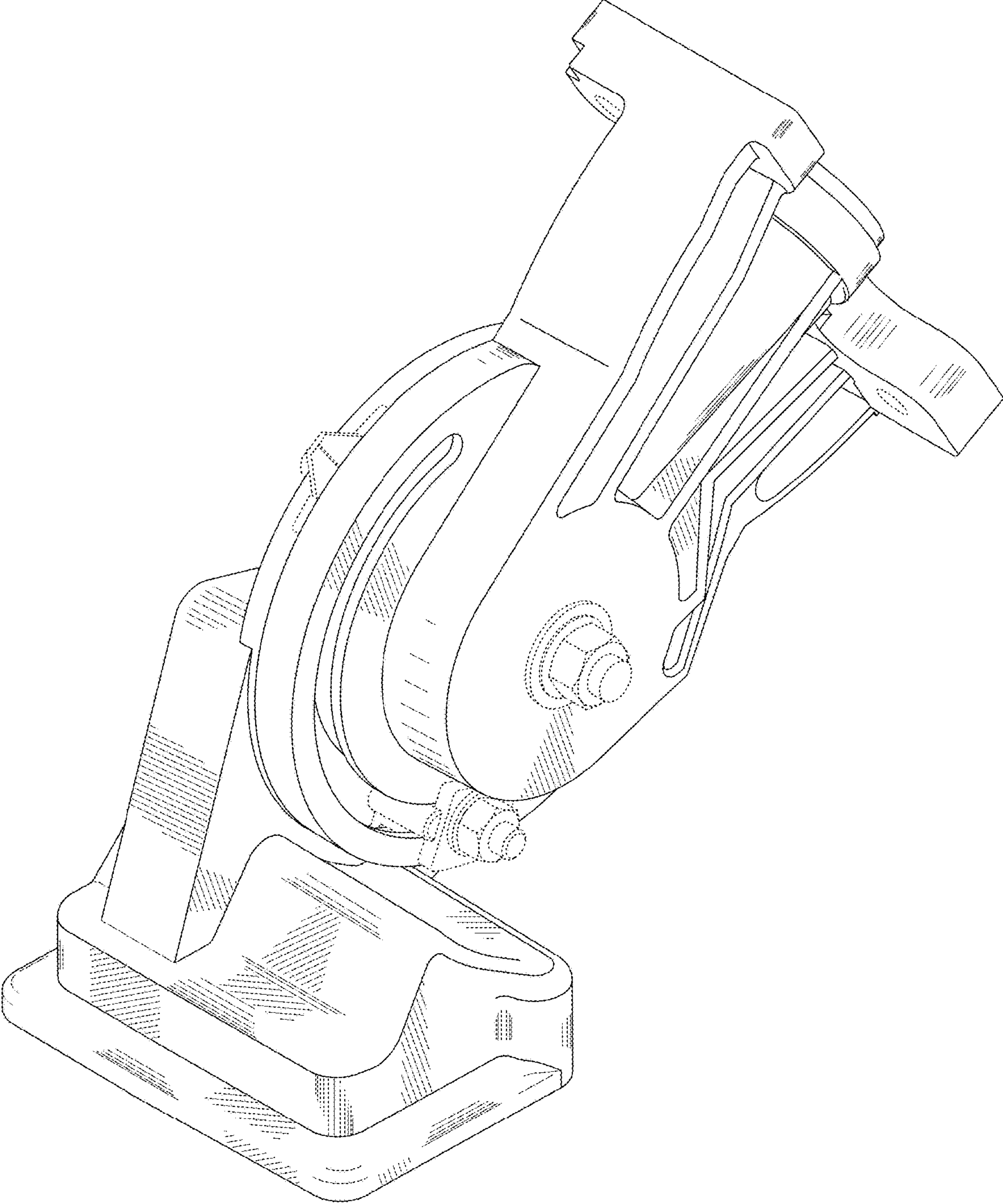


Fig 1

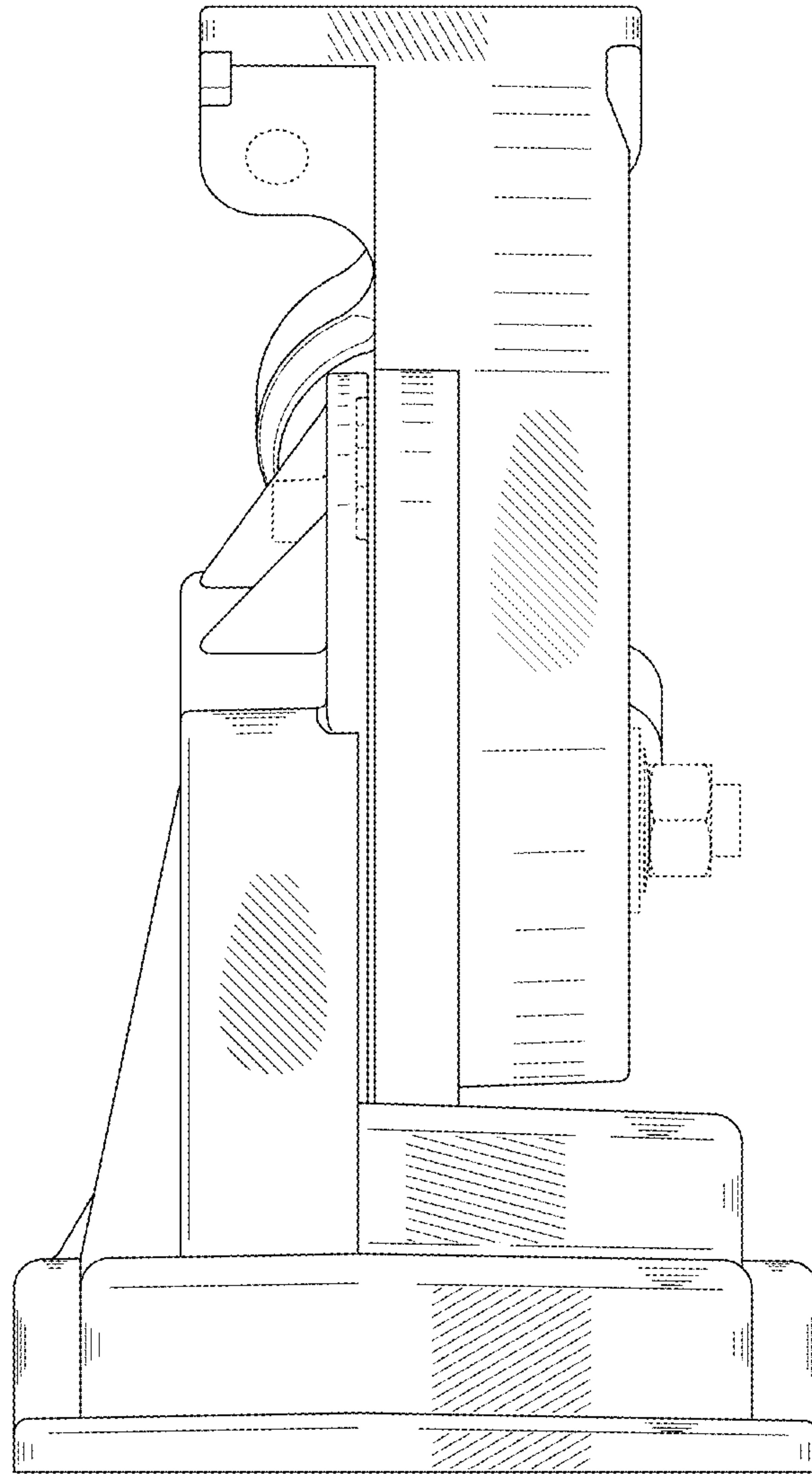


Fig 2

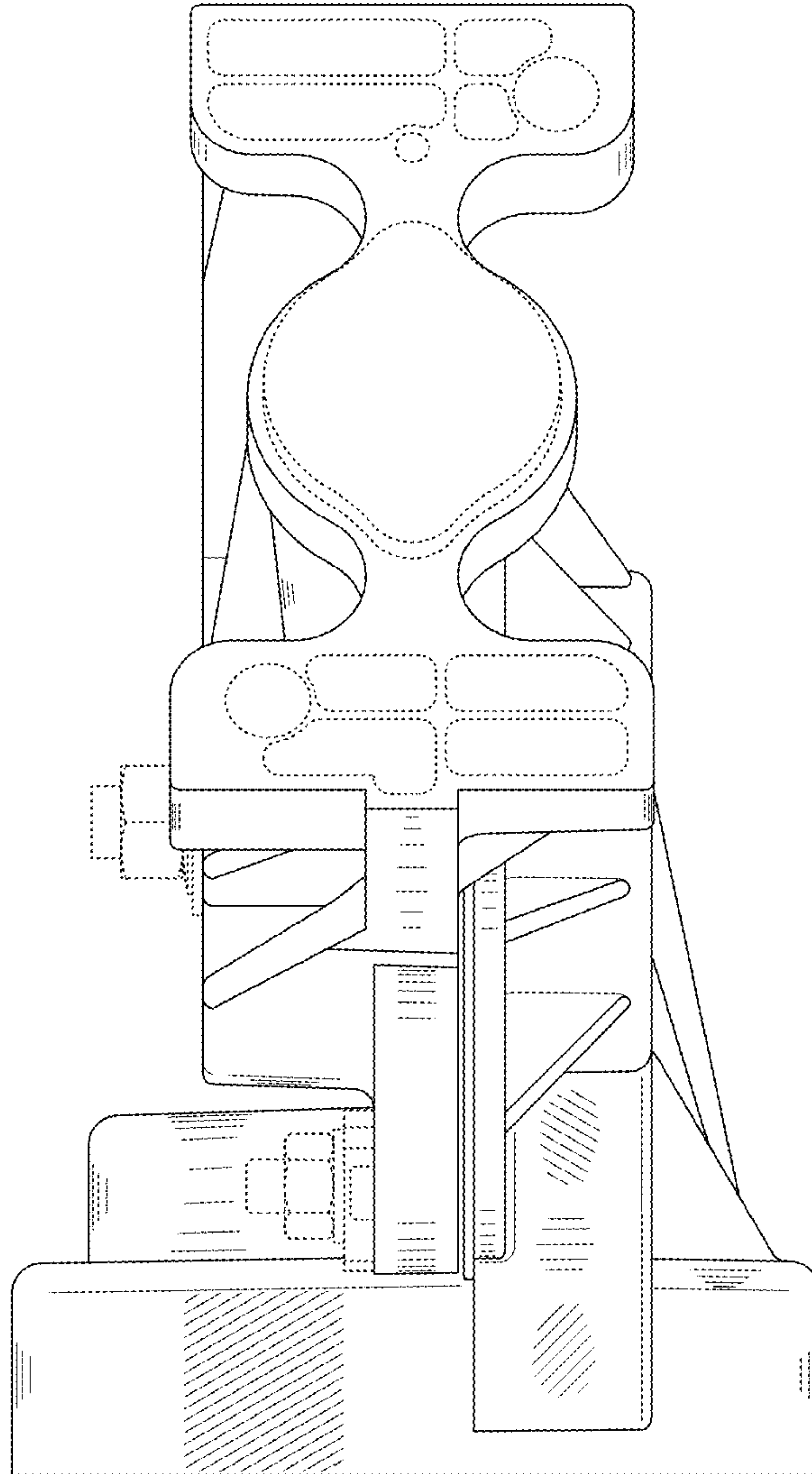


Fig 3

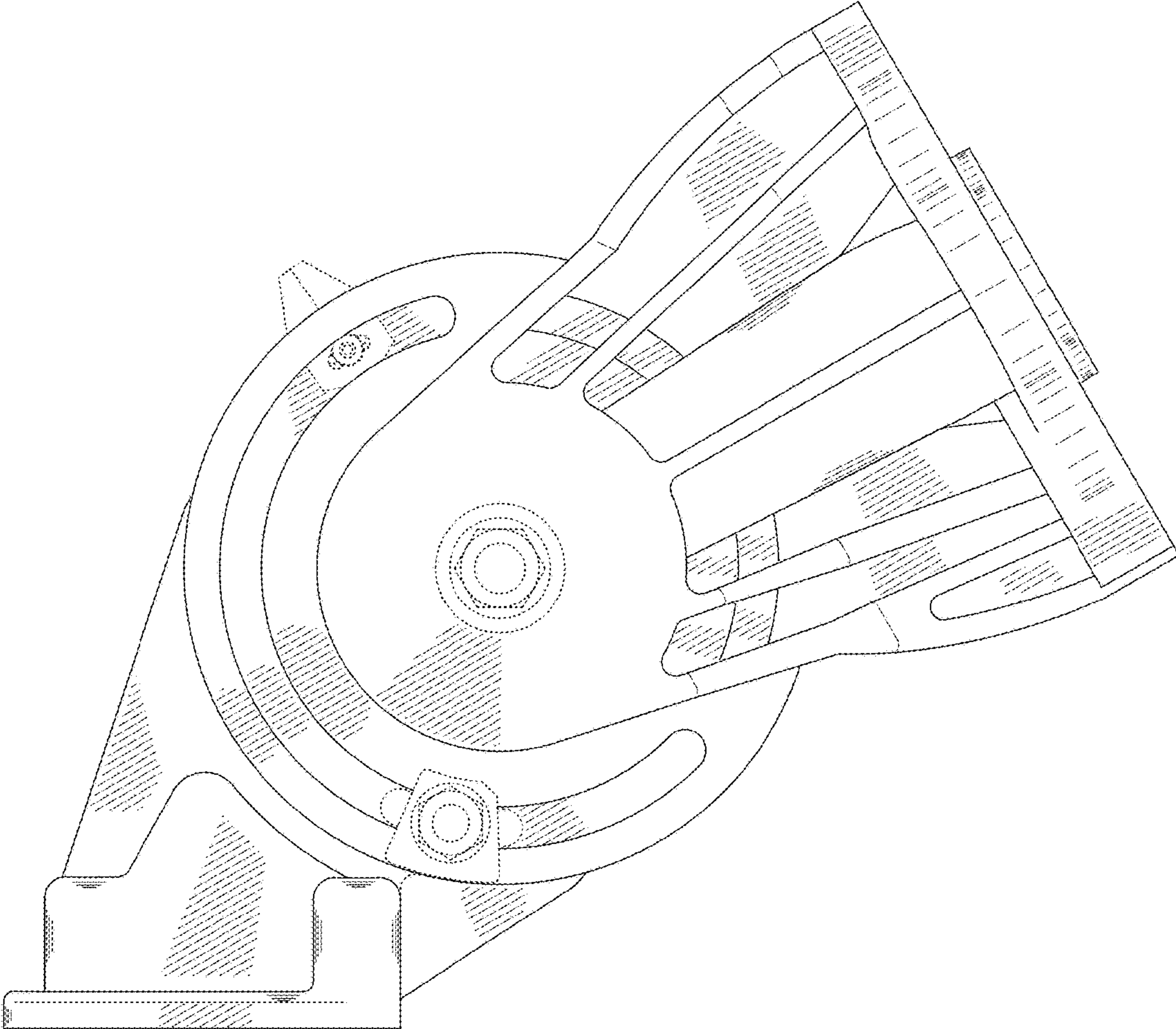


Fig 4

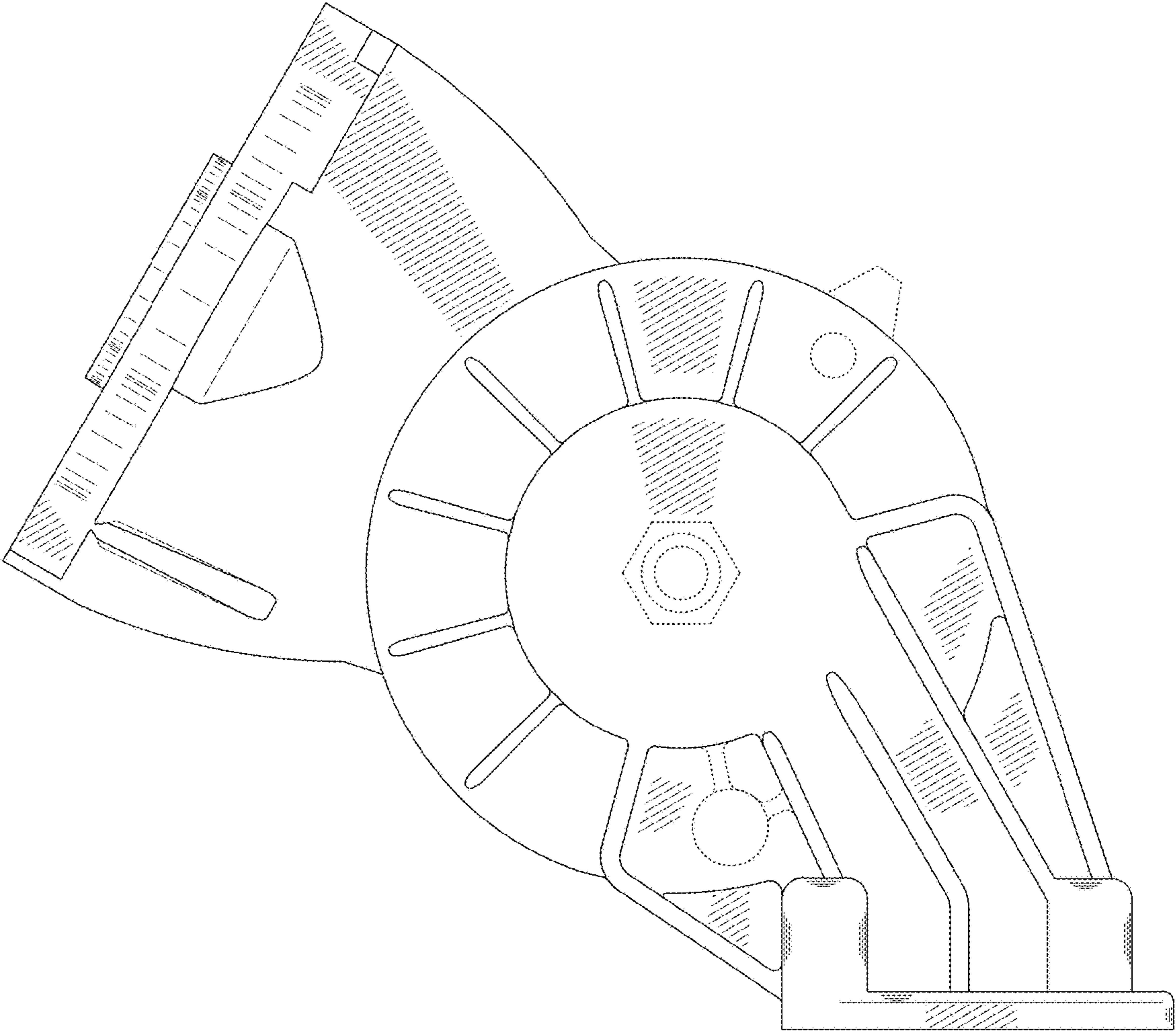


Fig 5

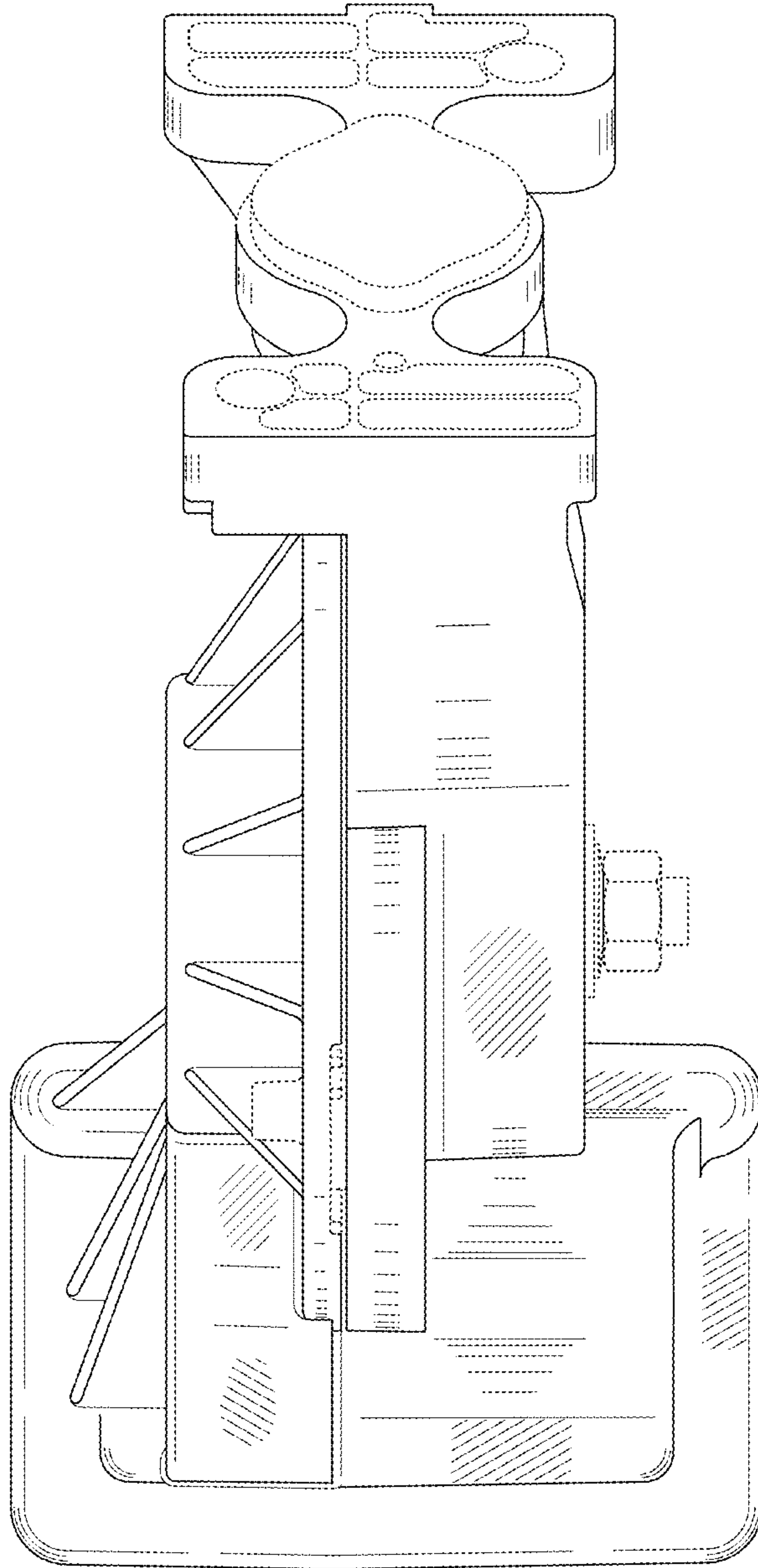


Fig 6

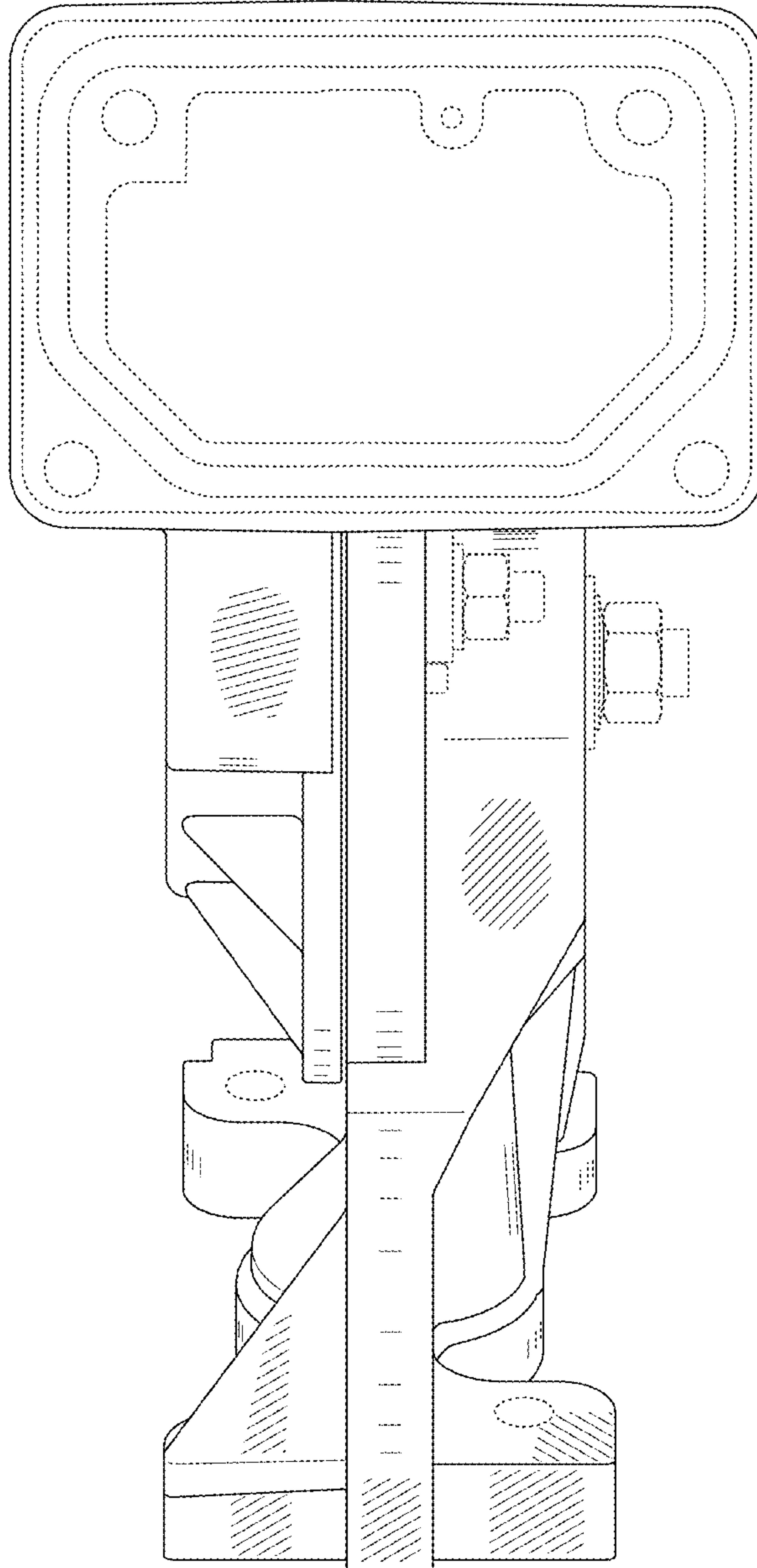


Fig 7

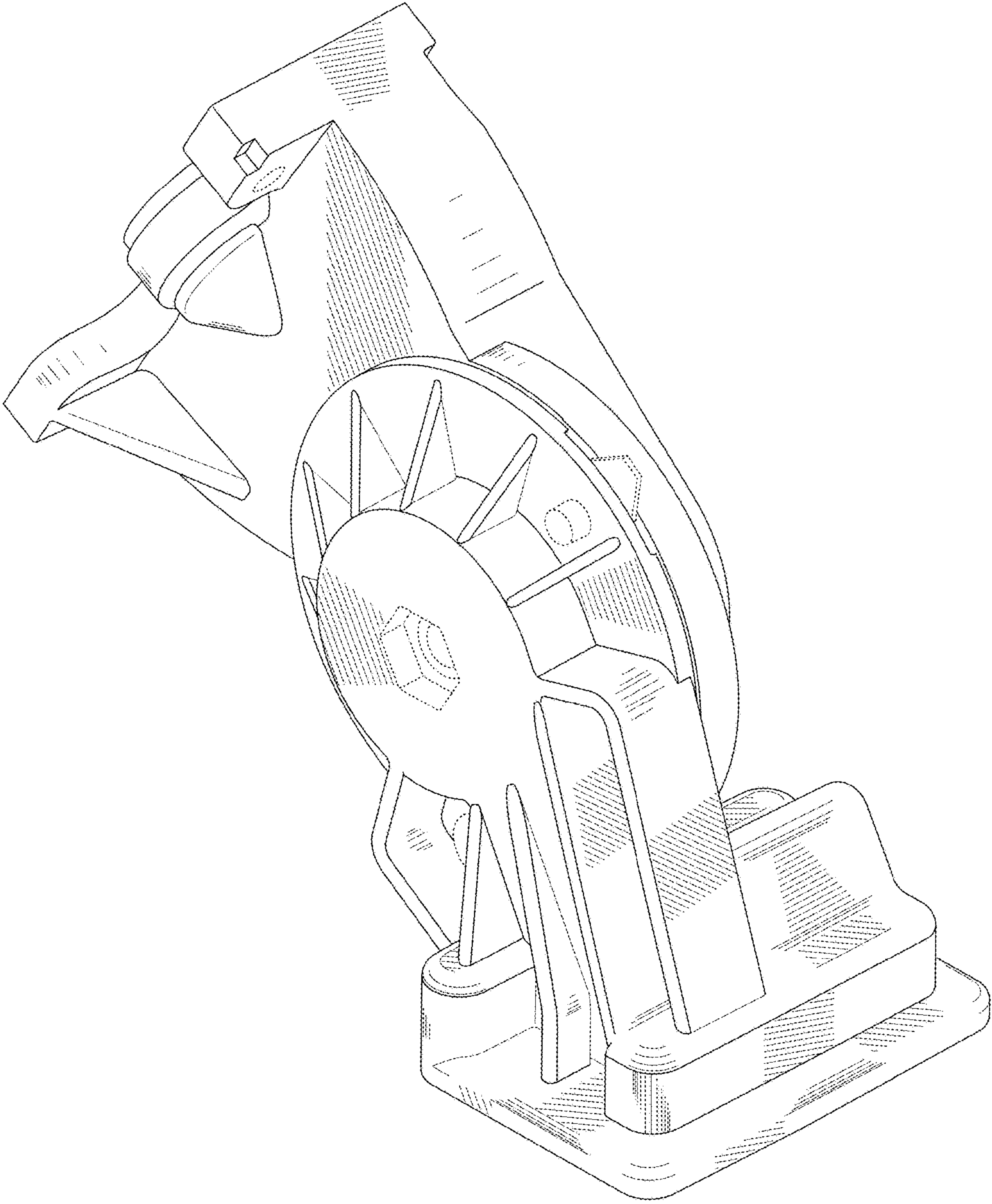


Fig 8

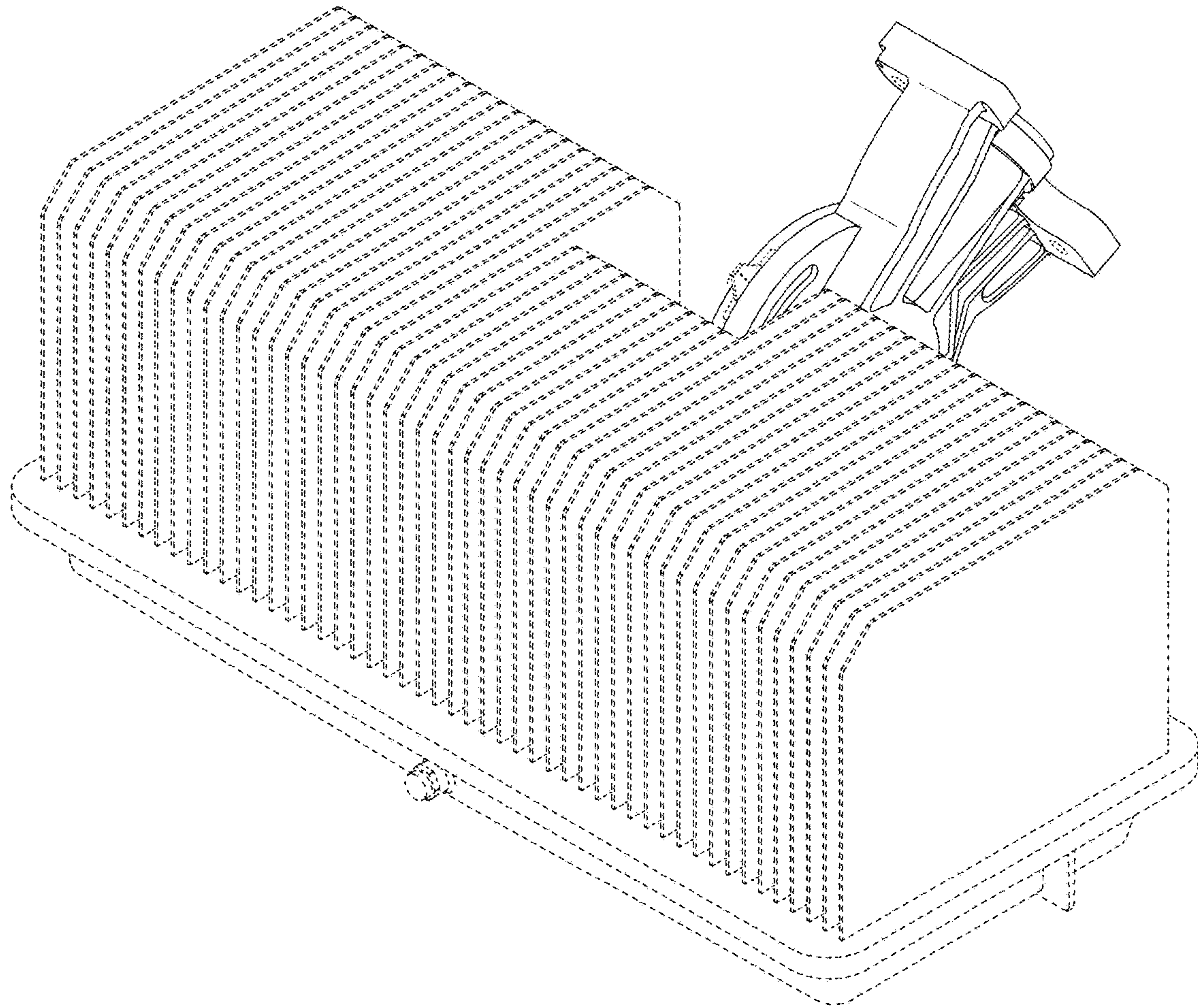


Fig 9

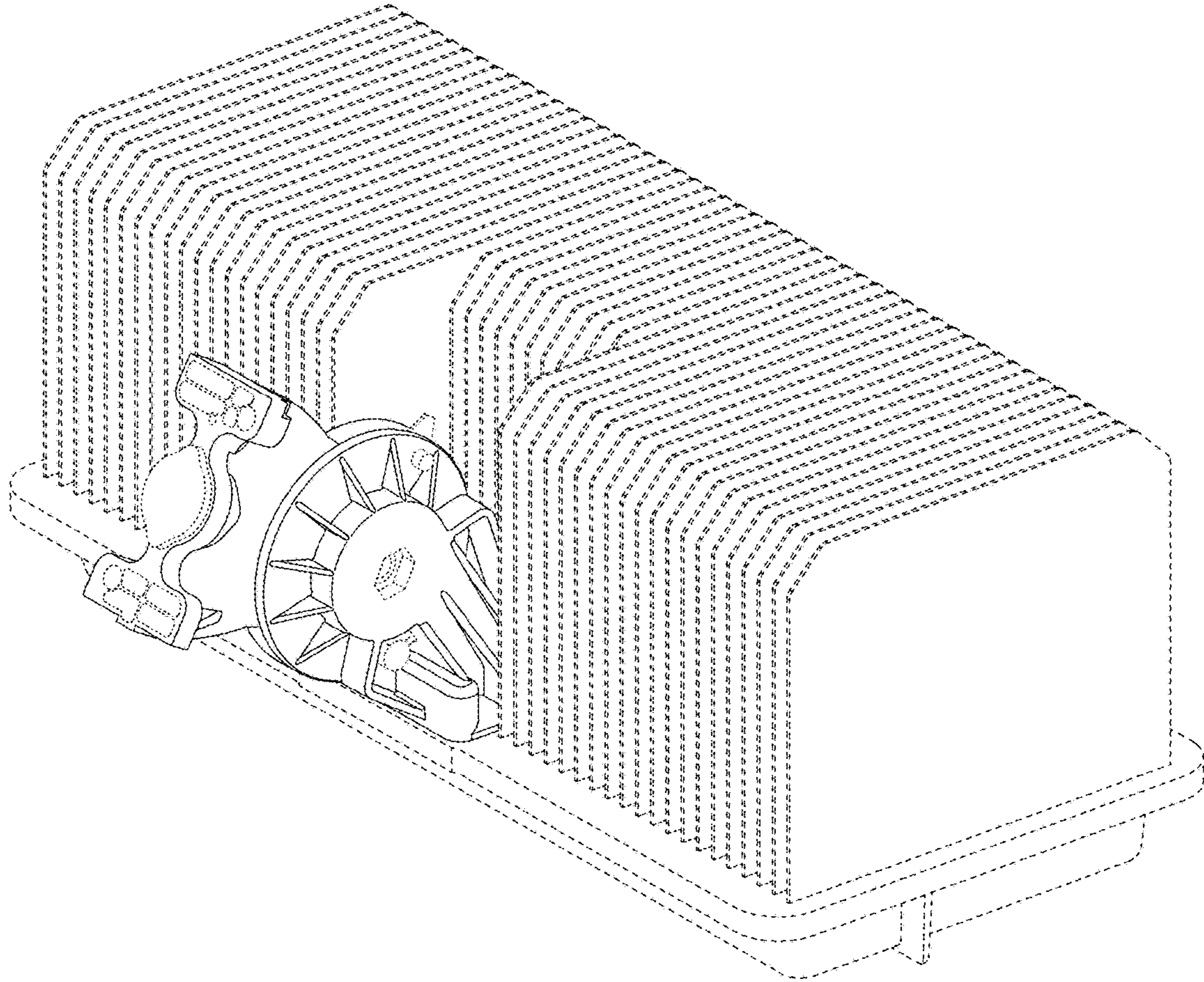


Fig 10