



US00D794242S

(12) **United States Design Patent**
Copeland

(10) **Patent No.:** **US D794,242 S**

(45) **Date of Patent:** **** Aug. 8, 2017**

(54) **TELESCOPING TASK LIGHT**

(71) Applicant: **Light Corporation**, Grand Haven, MI
(US)

(72) Inventor: **Stephan Copeland**, Merion Station, PA
(US)

(73) Assignee: **Light Corporation**, Grand Haven, MI
(US)

(**) Term: **15 Years**

(21) Appl. No.: **29/553,923**

(22) Filed: **Feb. 5, 2016**

(51) **LOC (10) Cl.** **26-03**

(52) **U.S. Cl.**
USPC **D26/107**

(58) **Field of Classification Search**
USPC D26/1, 24, 93, 104, 106, 107, 109, 110
CPC F21S 6/00; F21S 6/043; F21S 8/08; F21V
21/00; F21V 21/02; F21W 2121/00;
F21W 2131/30
See application file for complete search history.

(56) **References Cited**

U.S. PATENT DOCUMENTS

D327,137 S	*	6/1992	Wu	D26/107
D693,516 S	*	11/2013	Copeland	D26/107
D759,290 S	*	6/2016	Hsu	D26/107
D769,512 S	*	10/2016	Edgar	D26/107
D781,489 S	*	3/2017	Jiao	D26/107

* cited by examiner

Primary Examiner — Brian N Vinson

(74) *Attorney, Agent, or Firm* — Gardner, Linn, Burkhart & Flory, LLP

(57) **CLAIM**

I claim the ornamental design for a telescoping task light, as shown and described.

DESCRIPTION

FIG. 1 is a perspective view of a telescoping task light, showing my new design, taken from above and to the right-front side;

FIG. 2 is another perspective view of the telescoping task light shown in FIG. 1, taken from below and to the right-front side;

FIG. 3 is another perspective view of the telescoping task light shown in FIG. 1, taken from above and to the left-rear side;

FIG. 4 is a front elevation view of the telescoping task light shown in FIG. 1;

FIG. 5 is a rear elevation view of the telescoping task light shown in FIG. 1;

FIG. 6 is a right side elevation view of the telescoping task light shown in FIG. 1, with a left side elevation view being a mirror image thereof;

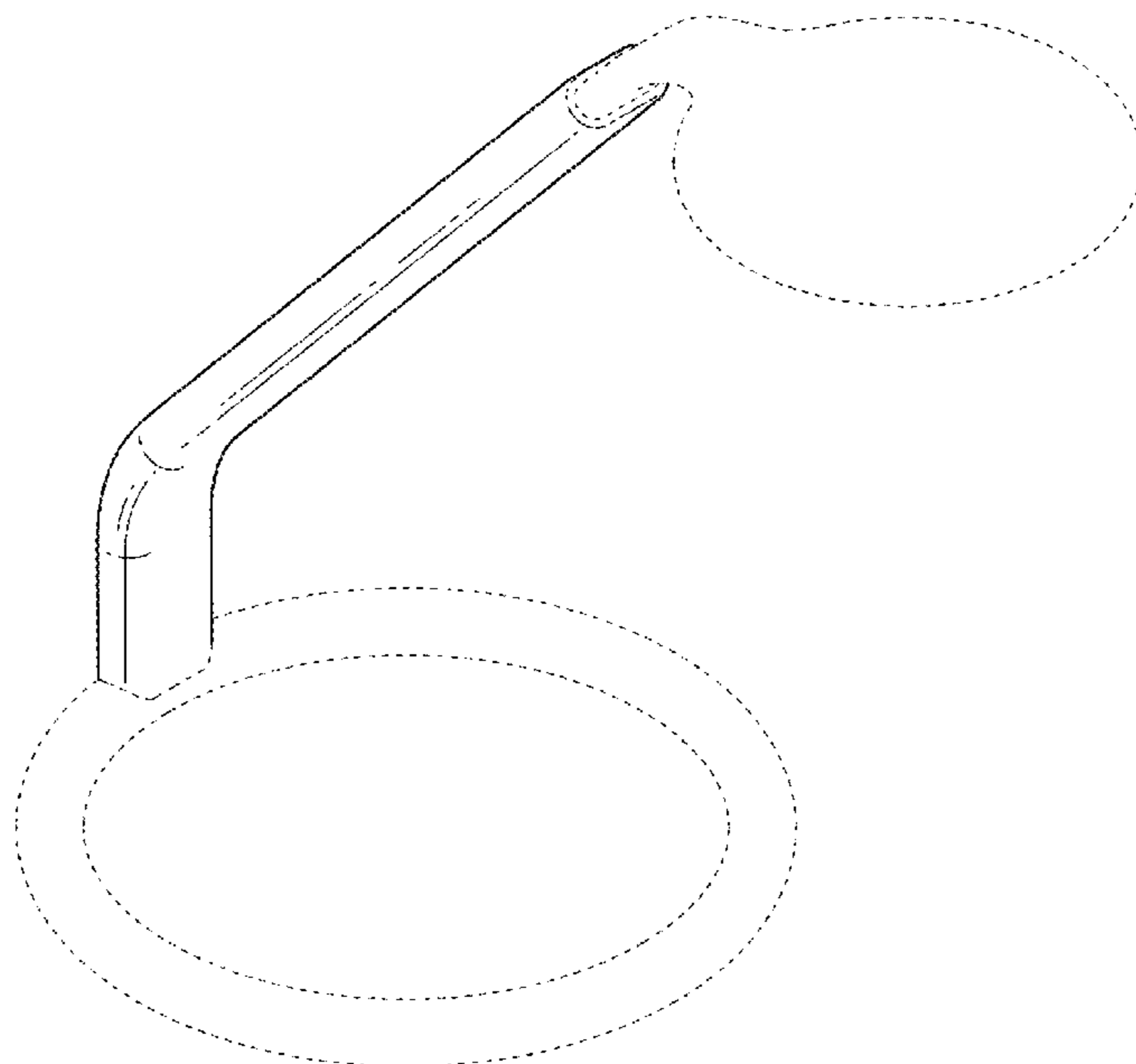
FIG. 7 is a top plan view of the telescoping task light shown in FIG. 1;

FIG. 8 is a bottom plan view of the telescoping task light shown in FIG. 1; and,

FIG. 9 is a right side elevation view of the telescoping task light shown in FIG. 1, showing its telescoping arm assembly in an extended position.

The broken lines shown in the drawings are for illustrative purposes only and form no part of the claimed design.

1 Claim, 9 Drawing Sheets



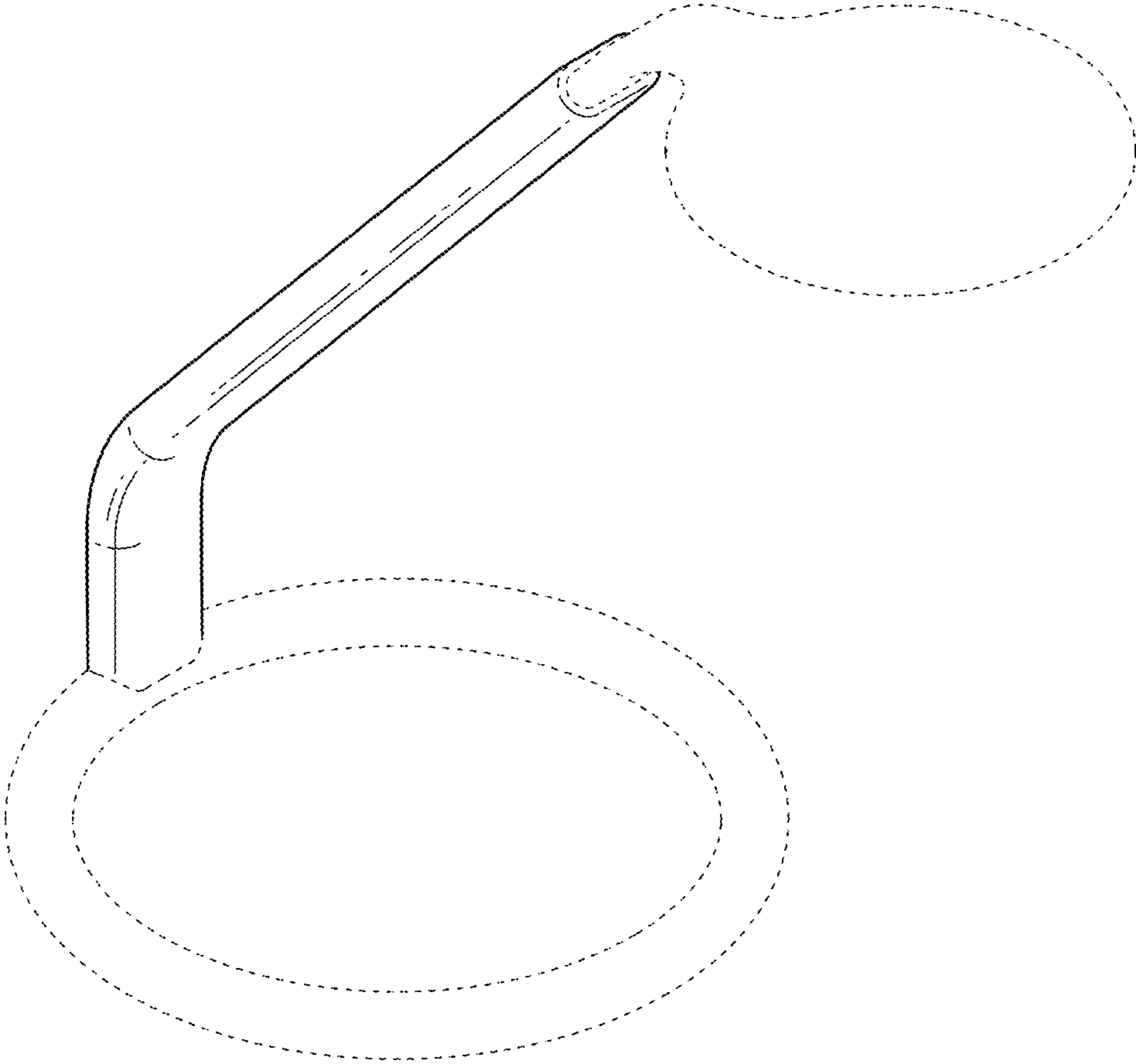


FIG. 1

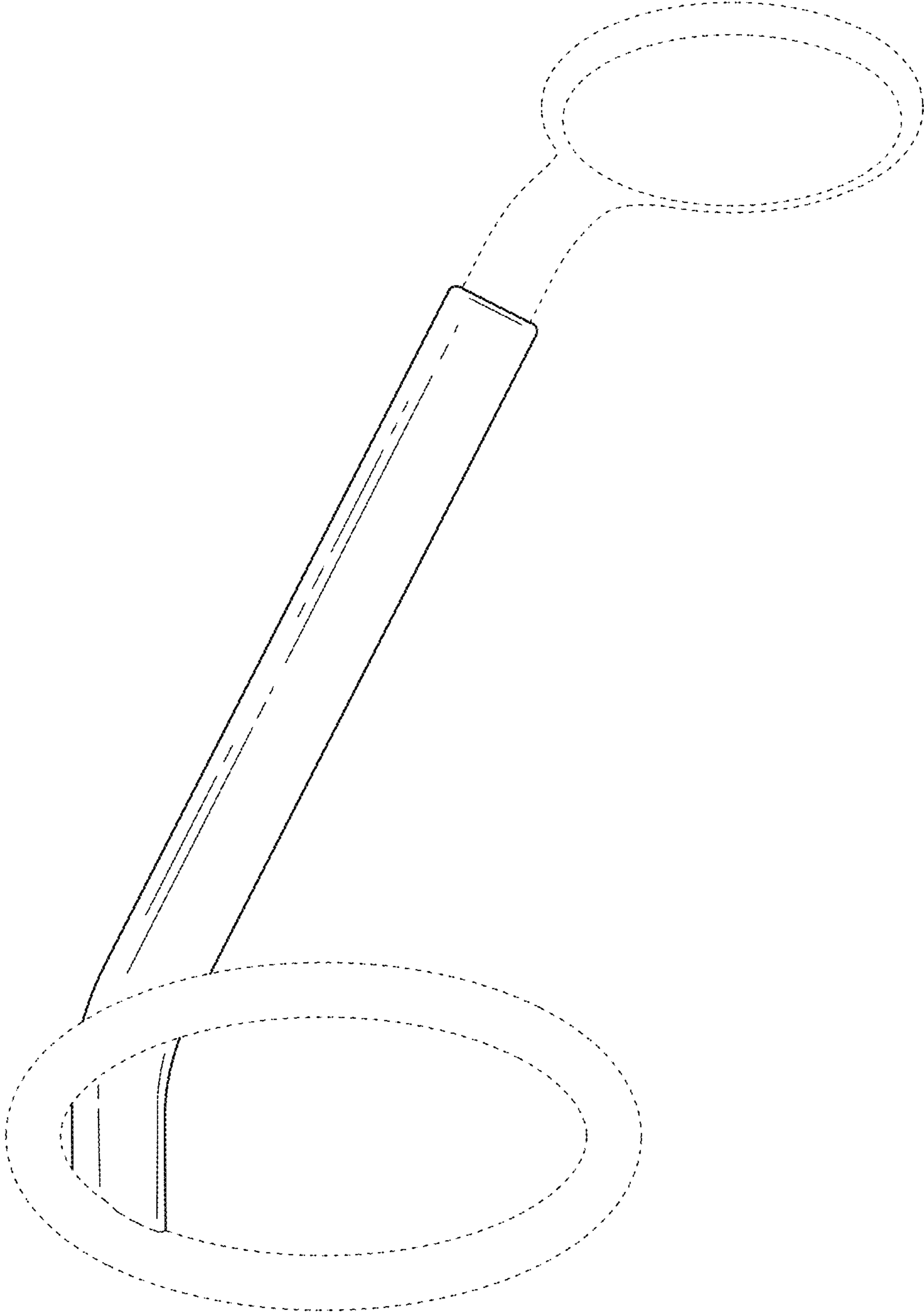


FIG. 2

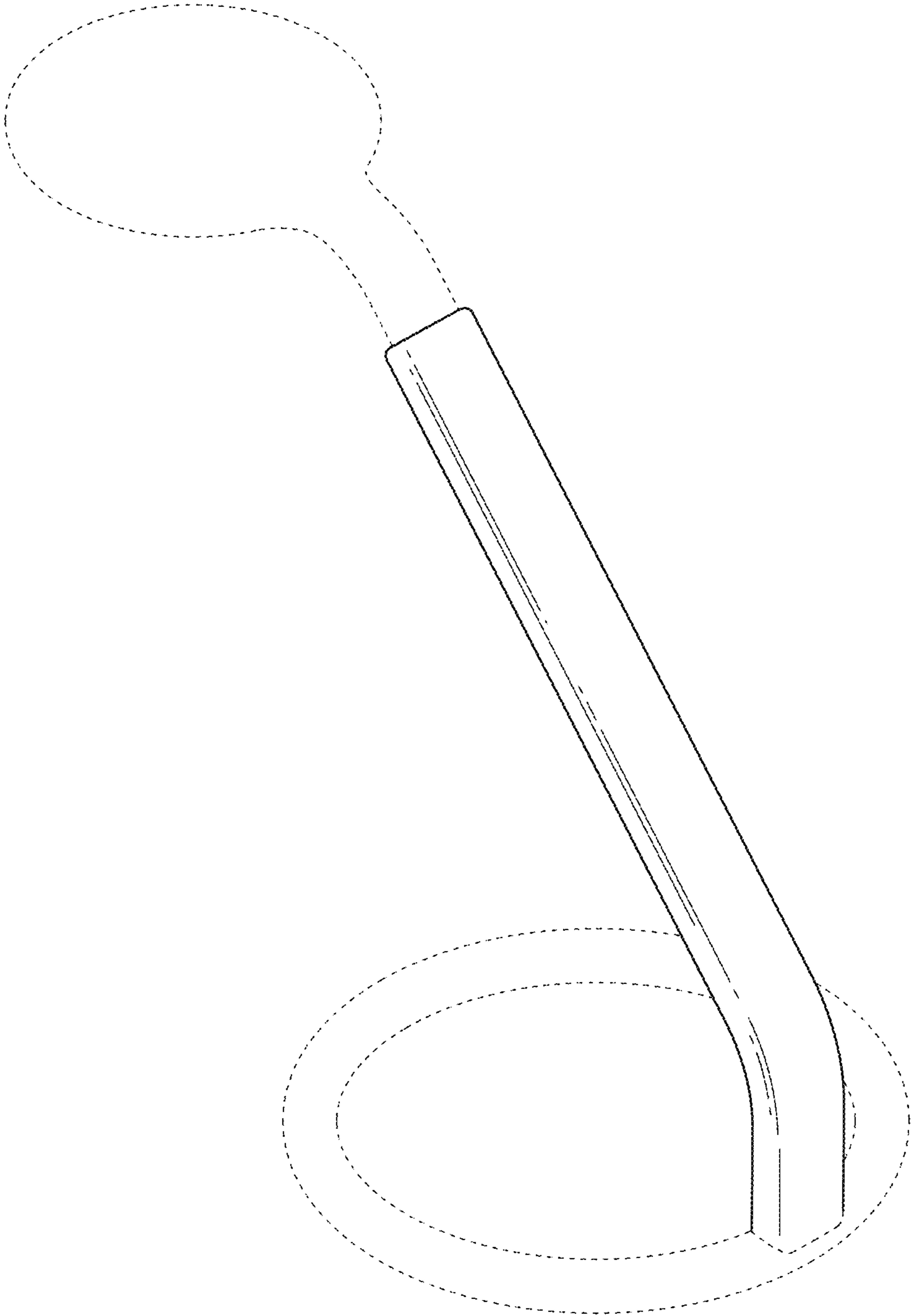


FIG. 3

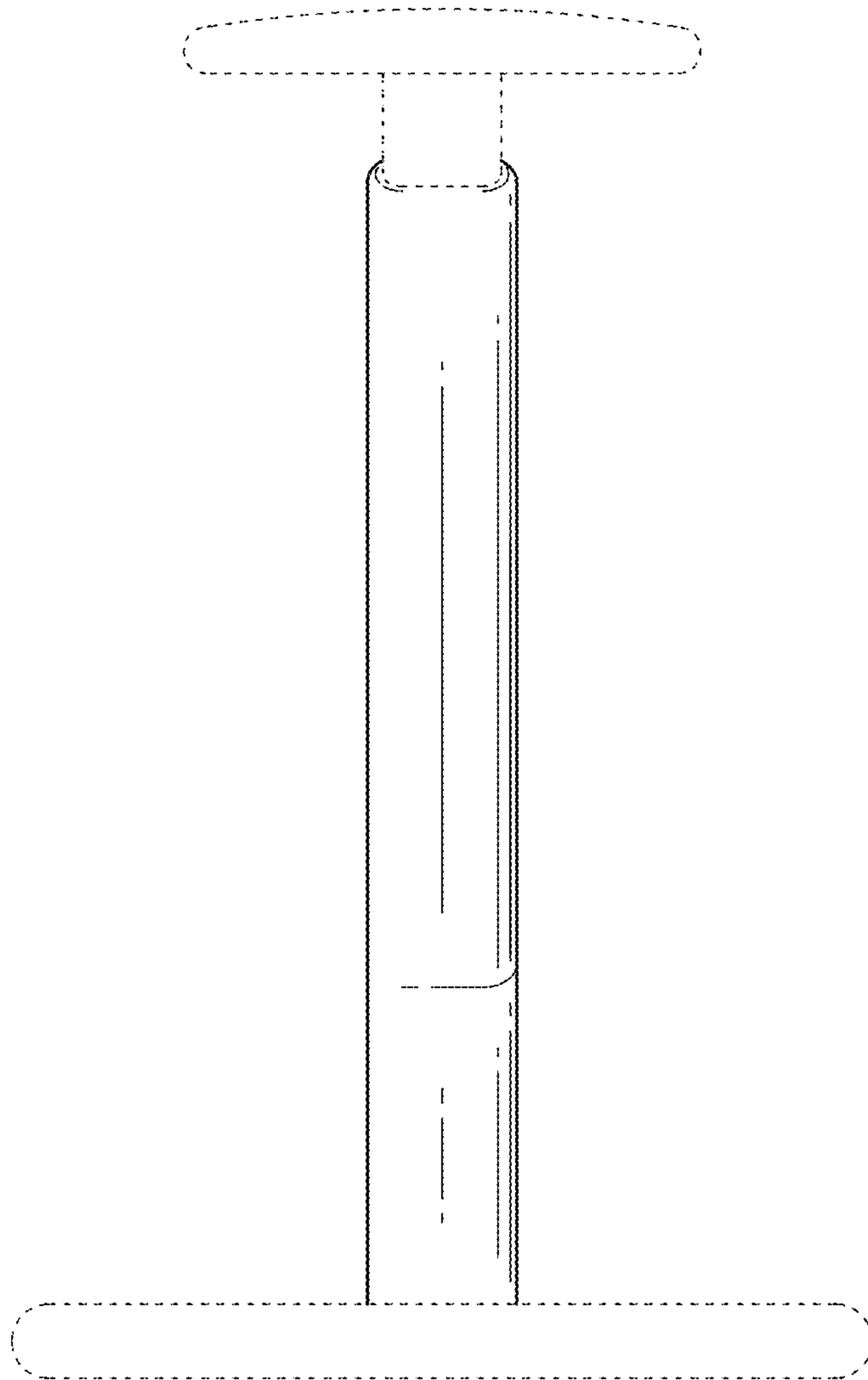


FIG. 4

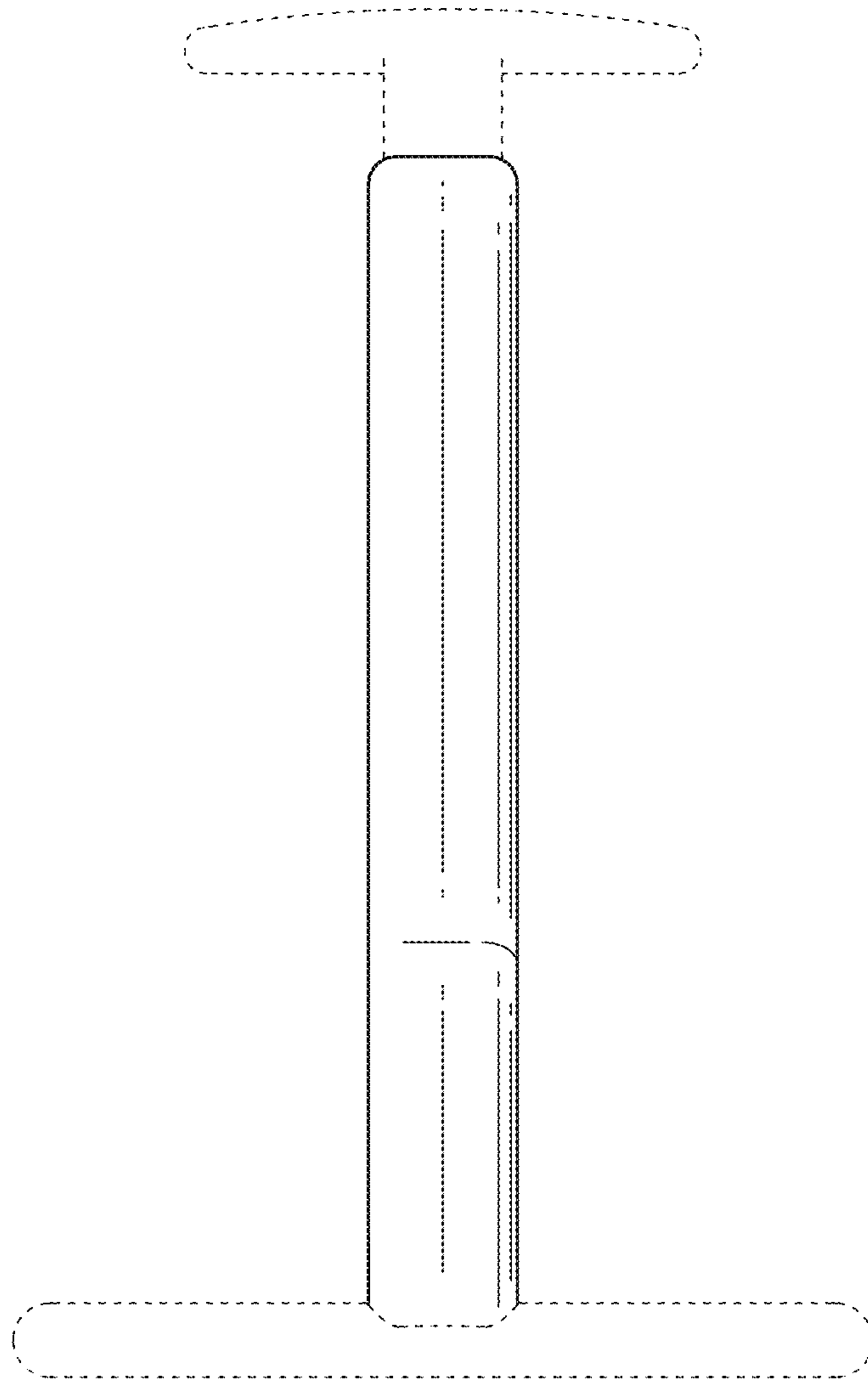


FIG. 5

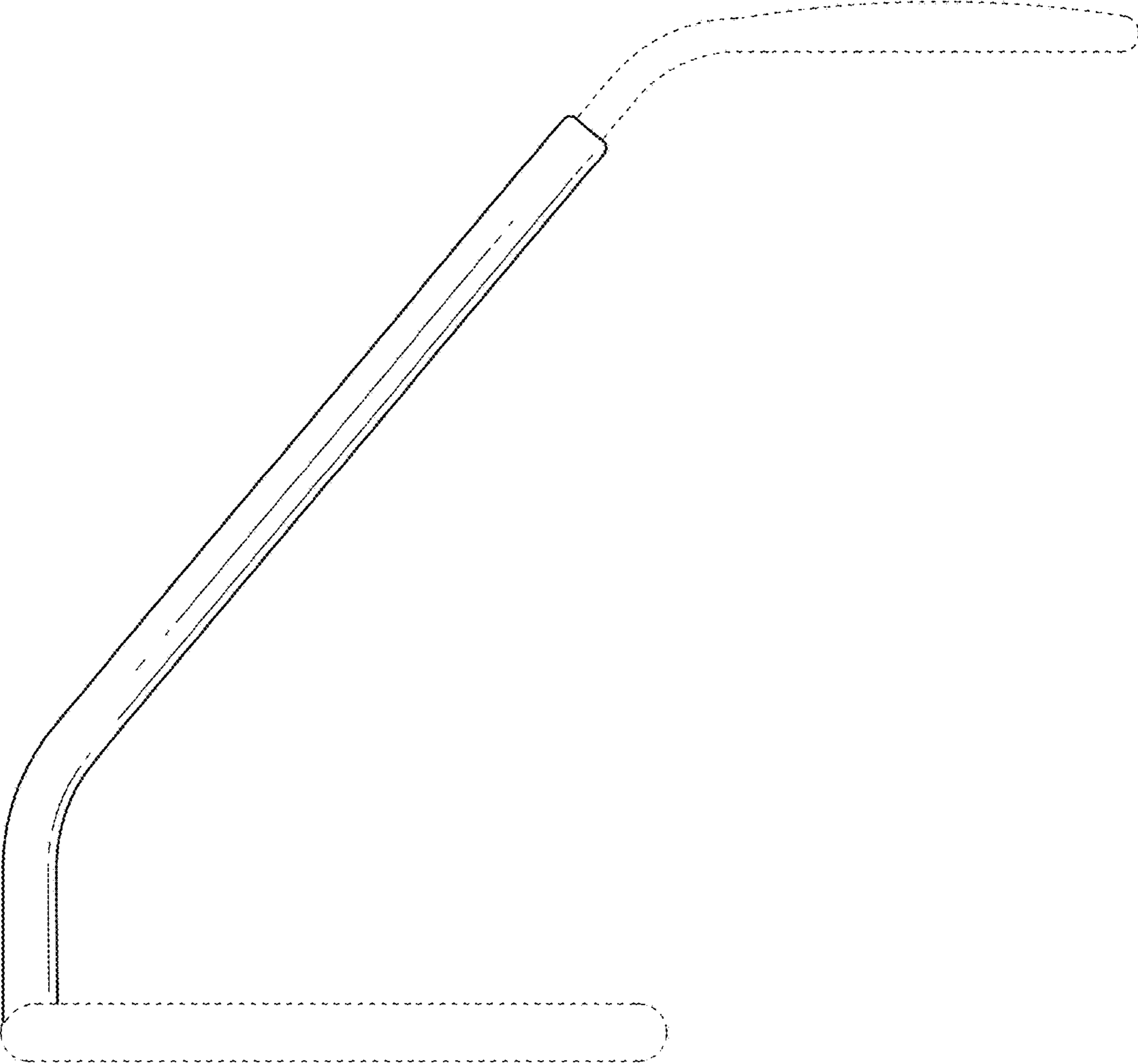


FIG. 6

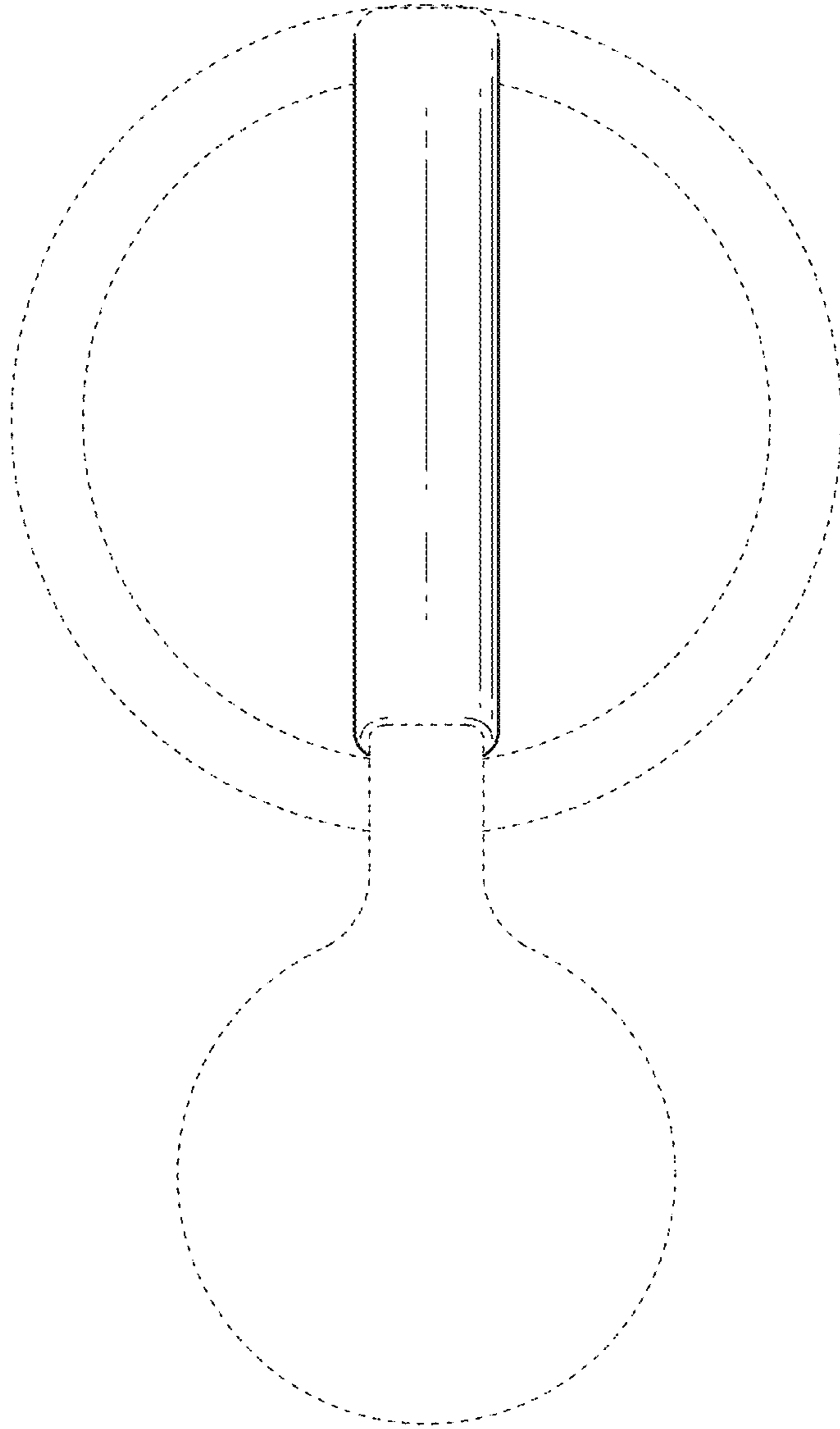


FIG. 7

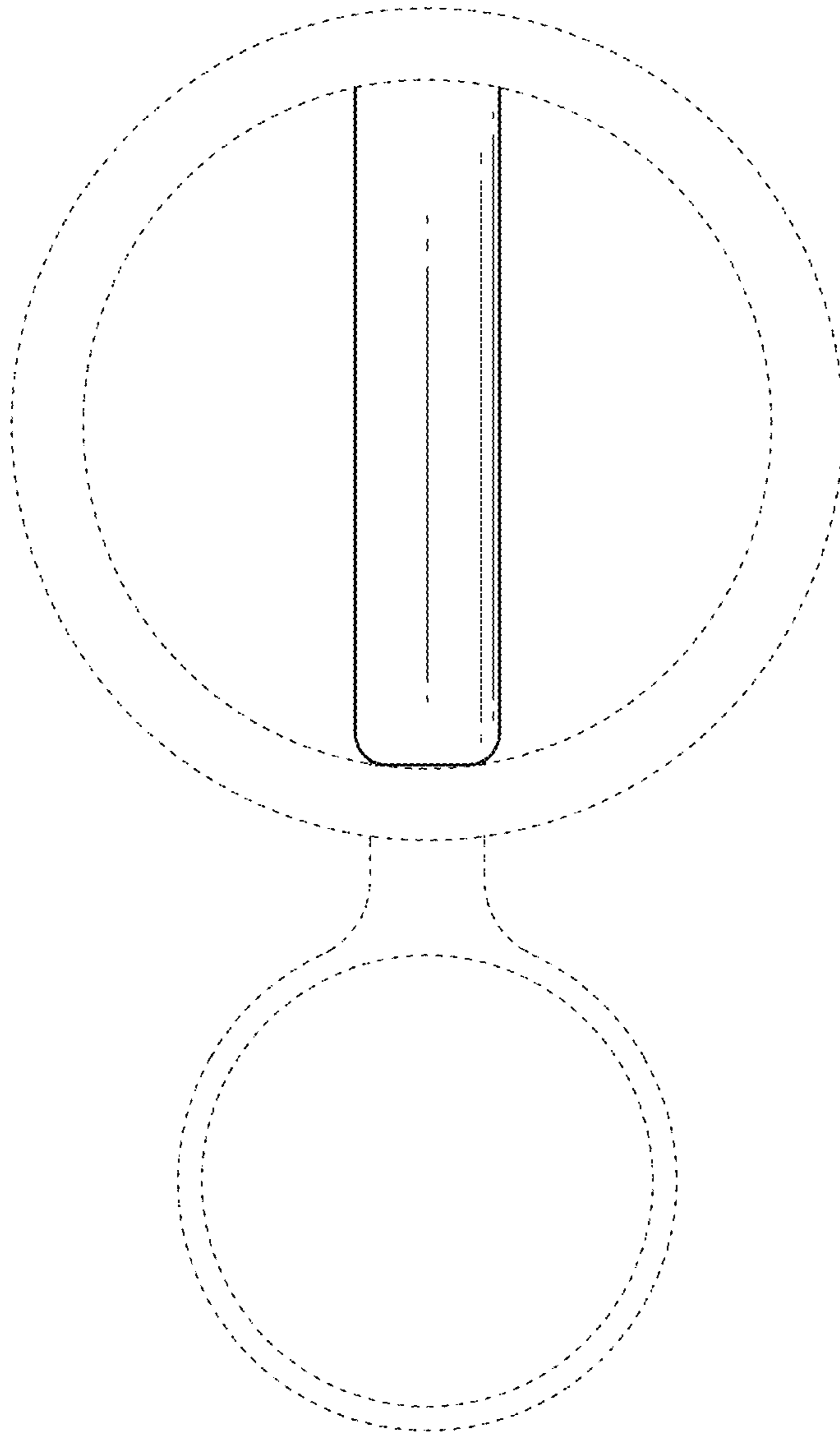


FIG. 8

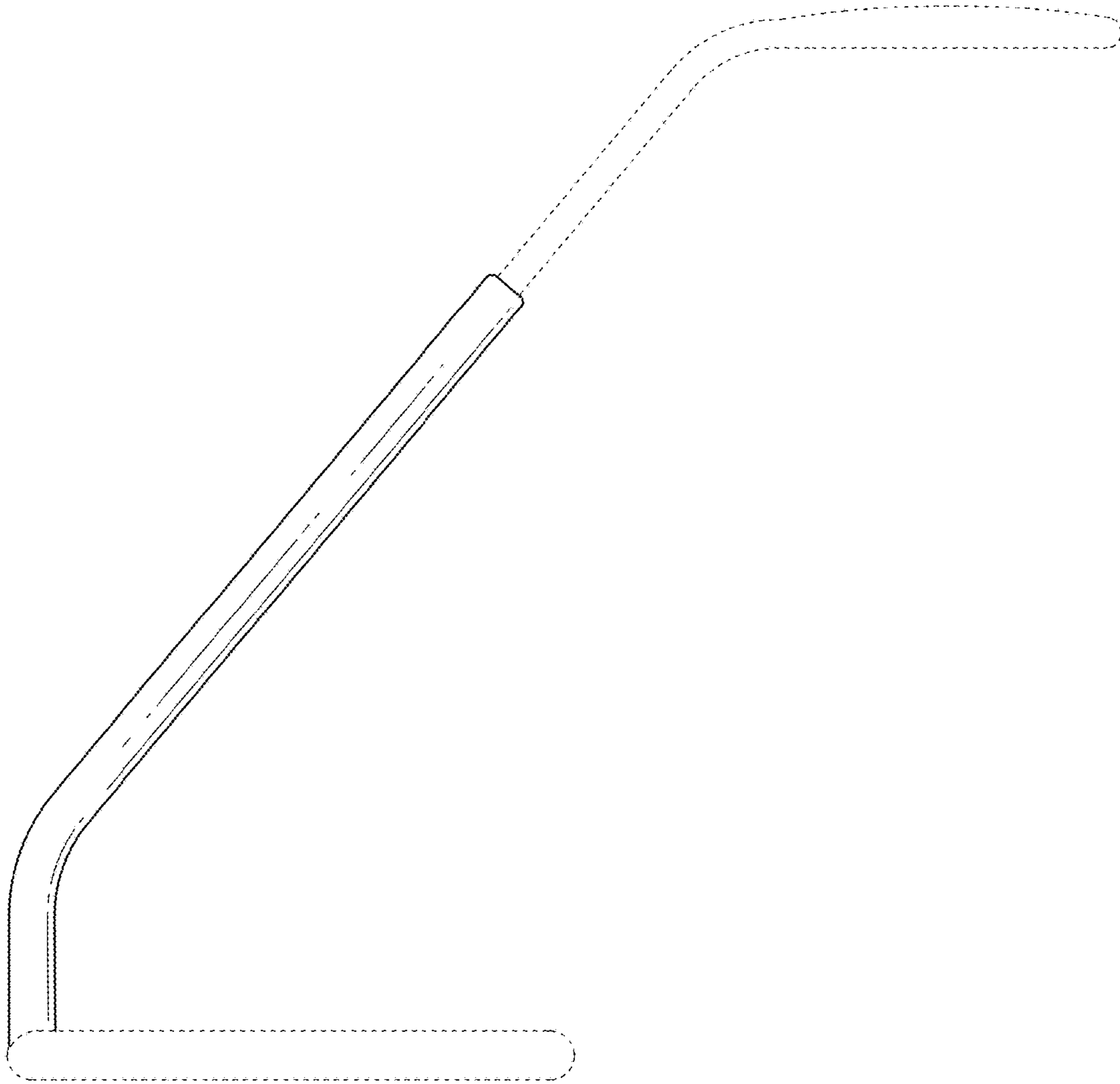


FIG. 9