



US00D794241S

(12) **United States Design Patent** (10) **Patent No.:** **US D794,241 S**
Huyghe (45) **Date of Patent:** **** Aug. 8, 2017**

(54) **LED FIXTURE**
(71) Applicant: **KONINKLIJKE PHILIPS N.V.**,
Eindhoven (NL)
(72) Inventor: **Jeffrey Huyghe**, Eindhoven (NL)
(73) Assignee: **KPNV**, Eindhoven (NL)
(**) Term: **15 Years**
(21) Appl. No.: **29/537,211**
(22) Filed: **Aug. 24, 2015**

(30) **Foreign Application Priority Data**
Feb. 28, 2015 (EM) 002643569-0003
(51) **LOC (10) Cl.** **26-03**
(52) **U.S. Cl.**
USPC **D26/80**
(58) **Field of Classification Search**
USPC D26/72, 76, 77, 78, 80, 85, 89, 142, 121,
D26/122
CPC F21S 8/03; F21S 8/031; F21S 8/033; F21S
8/036; F21S 9/03; F21S 9/037; F21V
21/025; F21V 17/08; F21V 17/10
See application file for complete search history.

(56) **References Cited**
U.S. PATENT DOCUMENTS
D232,257 S * 7/1974 Paulson D26/75
D239,780 S * 5/1976 Paulson D26/102
D603,548 S * 11/2009 Pei D26/76
D604,000 S * 11/2009 Fowler, Jr. D26/76
D608,929 S * 1/2010 Castelli D26/76
D608,930 S * 1/2010 Castelli D26/76

D609,385 S * 2/2010 Castelli D26/76
D619,292 S * 7/2010 Pei D26/76
D621,989 S * 8/2010 Proner D26/76
D627,914 S * 11/2010 Couture D26/76
D629,553 S * 12/2010 Gielen D26/76
D629,554 S * 12/2010 Gielen D26/76
D653,375 S * 1/2012 Chung D26/75
D653,786 S * 2/2012 Chung D26/75
D654,612 S * 2/2012 Ng D26/80
D655,031 S * 2/2012 Ng D26/80
D679,439 S * 4/2013 Lai D26/75
D690,452 S * 9/2013 Payne D26/80
D749,257 S * 2/2016 Arndt D26/76
D756,553 S * 5/2016 Kim D26/76
2011/0310625 A1* 12/2011 Mayfield, III F21V 17/04
362/375
2011/0317421 A1* 12/2011 So F21S 2/00
362/249.02
2012/0162974 A1* 6/2012 Yu F21V 15/013
362/218
2015/0070883 A1* 3/2015 Clark F21S 2/005
362/219

* cited by examiner

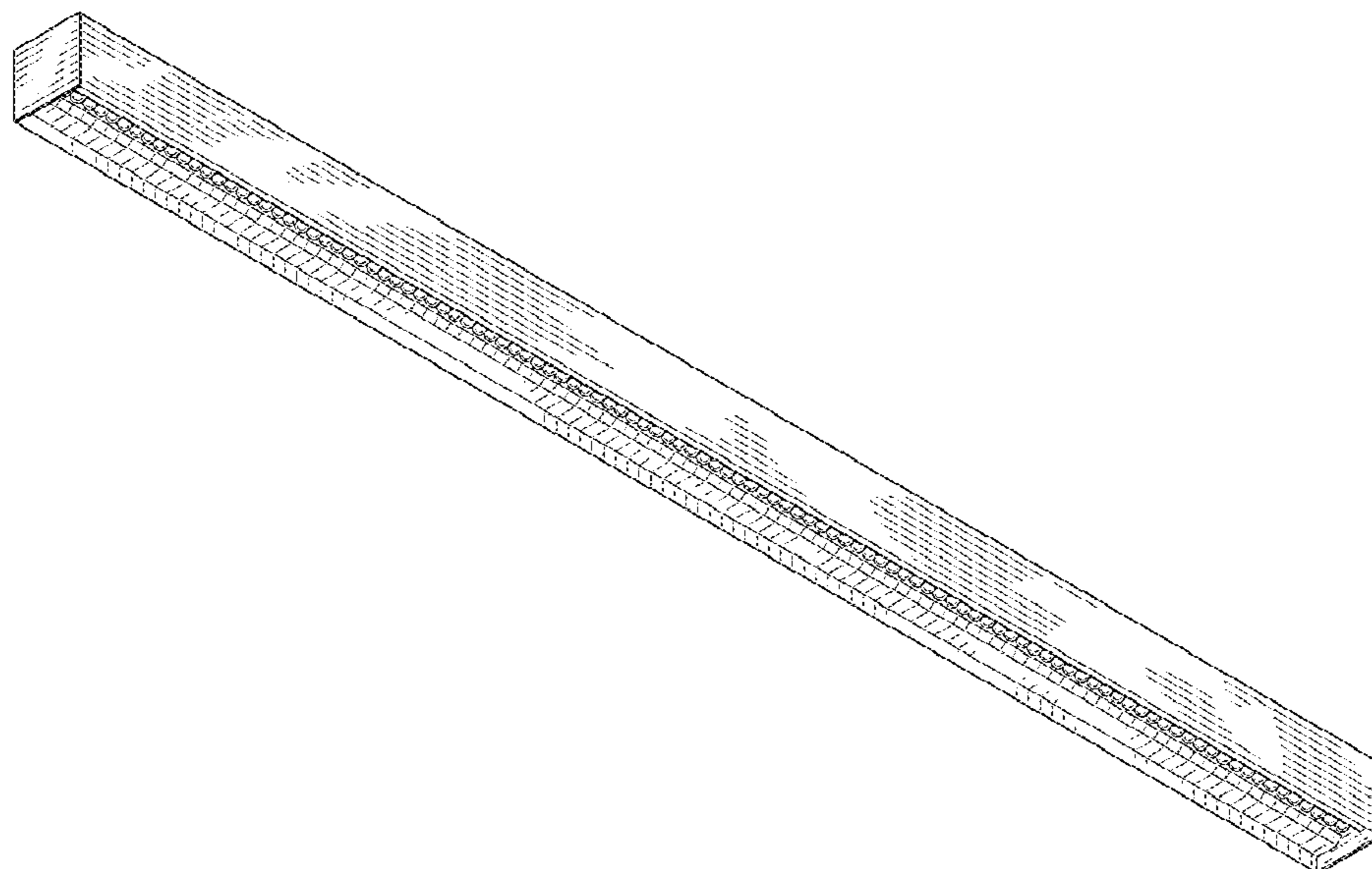
Primary Examiner — Clare E Heflin

(57) **CLAIM**
The ornamental design for a LED fixture, as shown.

DESCRIPTION

FIG. 1 is a perspective view showing my design;
FIG. 2 is a front elevational view thereof;
FIG. 3 is a rear elevational view thereof;
FIG. 4 is a right side elevational view thereof;
FIG. 5 is a left side elevational view thereof;
FIG. 6 is a top plan view thereof; and,
FIG. 7 is a bottom plan view thereof.

1 Claim, 3 Drawing Sheets



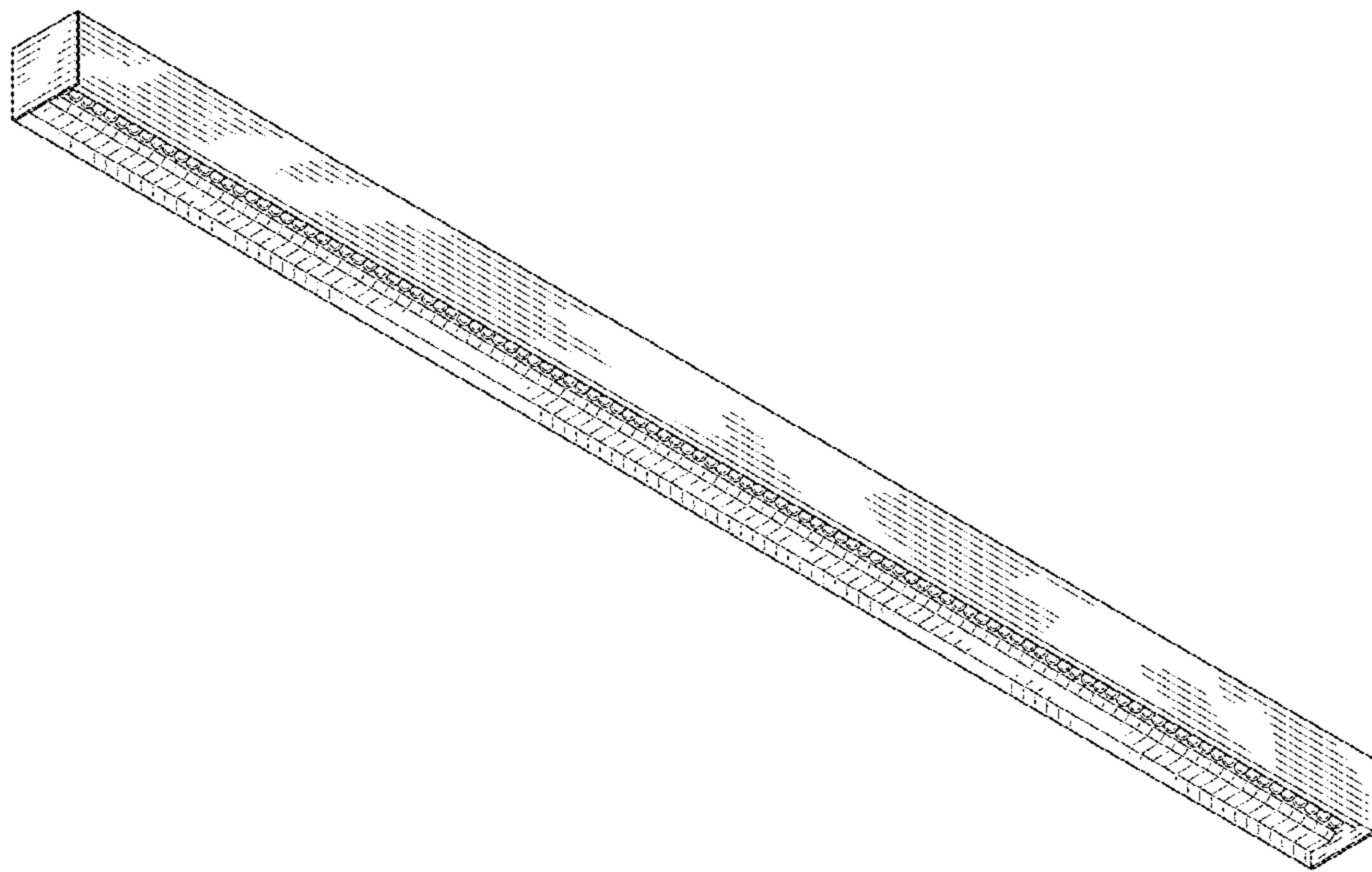


FIG. 1

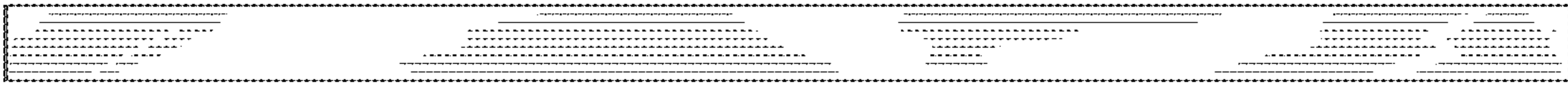


FIG. 2

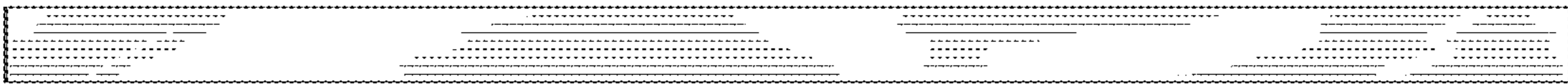


FIG. 3



FIG. 4



FIG. 5

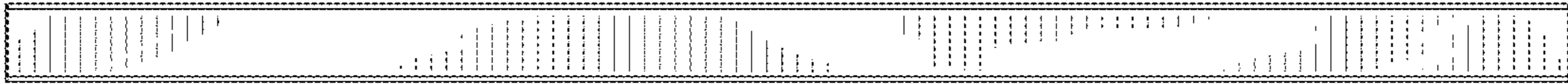


FIG. 6

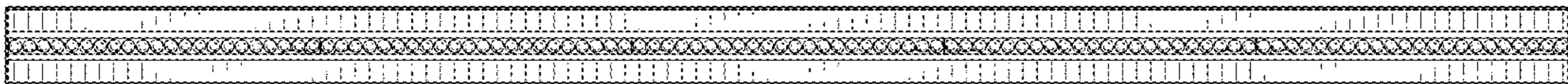


FIG. 7