



US00D794240S

(12) **United States Design Patent** (10) **Patent No.:** **US D794,240 S**
Hartman (45) **Date of Patent:** **** Aug. 8, 2017**

- (54) **LIGHT FIXTURE**
- (71) Applicant: **Michael S. Hartman**, Sinking Spring, PA (US)
- (72) Inventor: **Michael S. Hartman**, Sinking Spring, PA (US)
- (73) Assignee: **Hartman Design, Inc.**, Wernersville, PA (US)
- (**) Term: **14 Years**
- (21) Appl. No.: **29/524,197**
- (22) Filed: **Apr. 17, 2015**

D399,329	S	*	10/1998	Compton	D26/76
D401,000	S	*	11/1998	Herst	D26/76
6,082,886	A		7/2000	Stanford		
D438,326	S	*	2/2001	Kan	D26/76
D647,241	S	*	10/2011	Takahashi	D26/72
8,079,744	B2		12/2011	Tsao et al.		
8,092,053	B1		1/2012	Kopp		
D663,065	S	*	7/2012	Beghelli	D26/76
D693,048	S	*	11/2013	Ng	D26/76
D709,636	S	*	7/2014	Murata	D26/72
D724,249	S	*	3/2015	Maxik	D26/76
D732,226	S	*	6/2015	Hartman	D26/76
D735,392	S	*	7/2015	Ng	D26/76
9,169,607	B2		10/2015	Schweizer et al.		
D774,235	S	*	12/2016	Wilke	D26/76
2013/0033858	A1	*	2/2013	Sugishita	F21V 7/005 362/218

(Continued)

Related U.S. Application Data

- (62) Division of application No. 29/483,996, filed on Mar. 5, 2014, now Pat. No. Des. 732,226.
- (51) **LOC (10) Cl.** **26-03**
- (52) **U.S. Cl.**
USPC **D26/76**
- (58) **Field of Classification Search**
USPC D26/76, 78, 79, 80, 81, 82, 83, 85, 86,
D26/88, 90, 113, 118, 119, 120, 121, 122,
D26/138, 139, 140, 141, 142
CPC F21S 2/00; F21S 4/00; F21S 4/003; F21S
4/005; F21S 4/006; F21S 4/007; F21S
4/008; F21S 6/00; F21S 8/00; F21S
8/024; F21S 8/026; F21S 8/031; F21S
8/033; F21S 8/035–8/037; F21S 8/04;
F21S 8/043; F21S 8/063
See application file for complete search history.

Primary Examiner — George D Kirschbaum
Assistant Examiner — Natasha Vujcic
(74) *Attorney, Agent, or Firm* — Fox Rothschild LLP

(57) **CLAIM**

The ornamental design for a light fixture, as shown and described.

DESCRIPTION

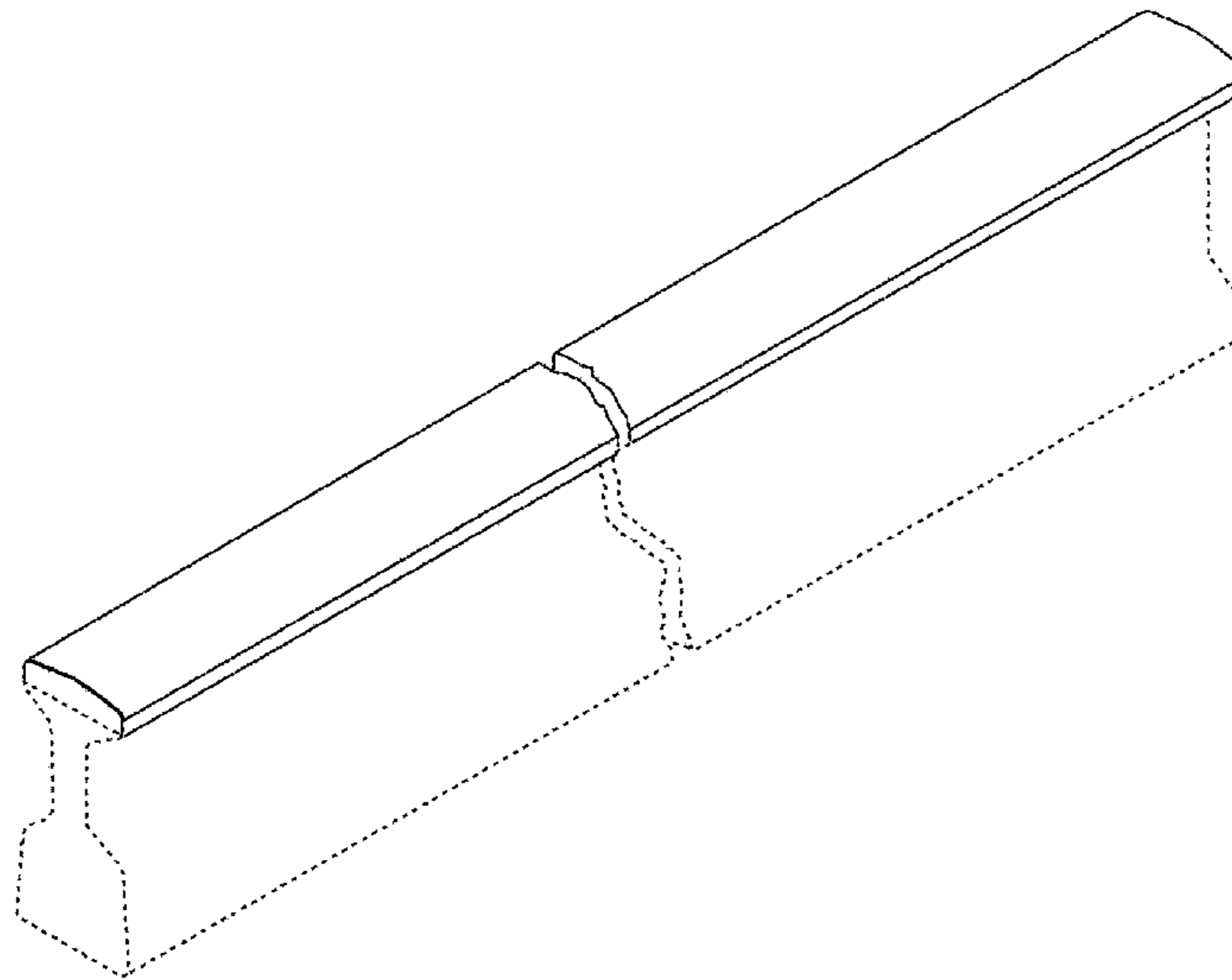
FIG. 1 is a front perspective view of a light fixture showing my new design;
FIG. 2 is a right side elevational view thereof, the left side being a mirror image;
FIG. 3 is a front side elevational view thereof, the rear side being a mirror image;
FIG. 4 is a top plan view thereof; and,
FIG. 5 is a bottom plan view thereof.
The broken lines in the drawings illustrate portions of the light fixture and form no part of the claimed design.
The break lines in the drawings indicate that the appearance of any portion of the light fixture between the break lines forms no part of the claimed design.

(56) **References Cited**

U.S. PATENT DOCUMENTS

D295,329	S	*	4/1988	Roos	D26/104
D329,919	S	*	9/1992	Jahn	D26/77
D364,478	S	*	11/1995	Pesau	D26/76

1 Claim, 2 Drawing Sheets



(56)

References Cited

U.S. PATENT DOCUMENTS

2015/0300608 A1* 10/2015 Hartman F21V 31/04
362/145

* cited by examiner

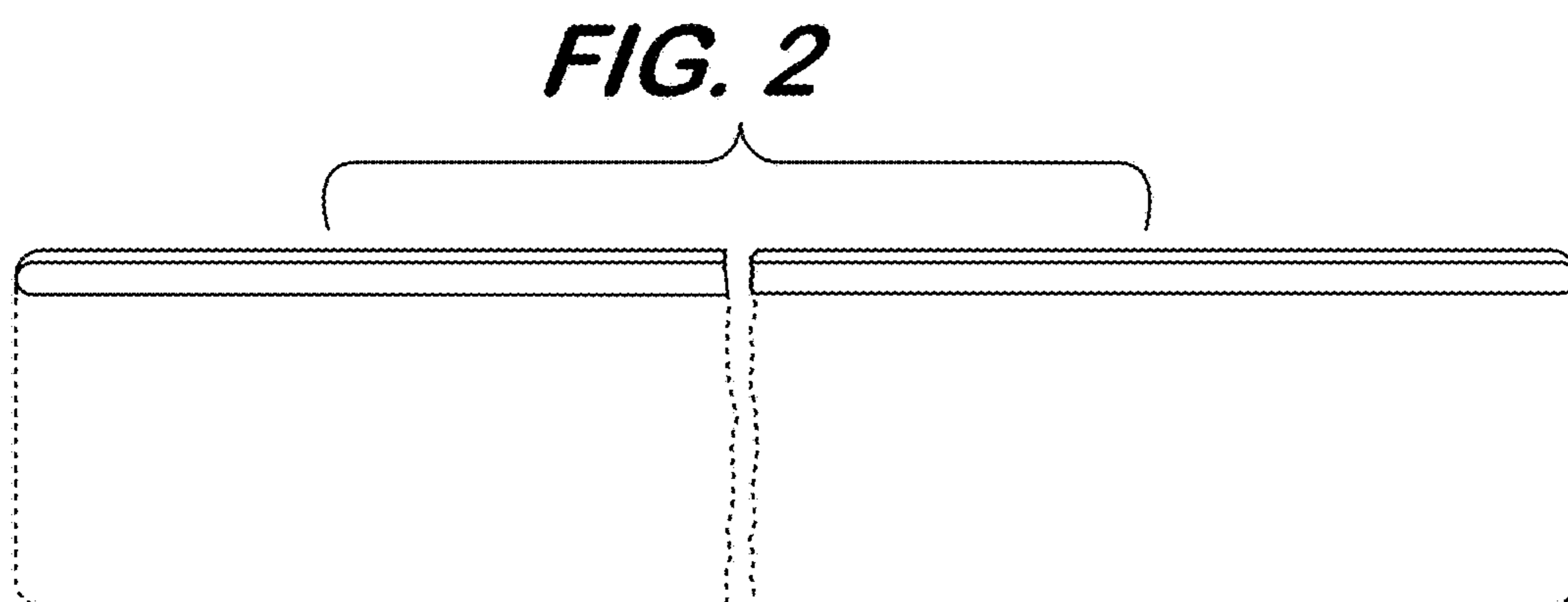
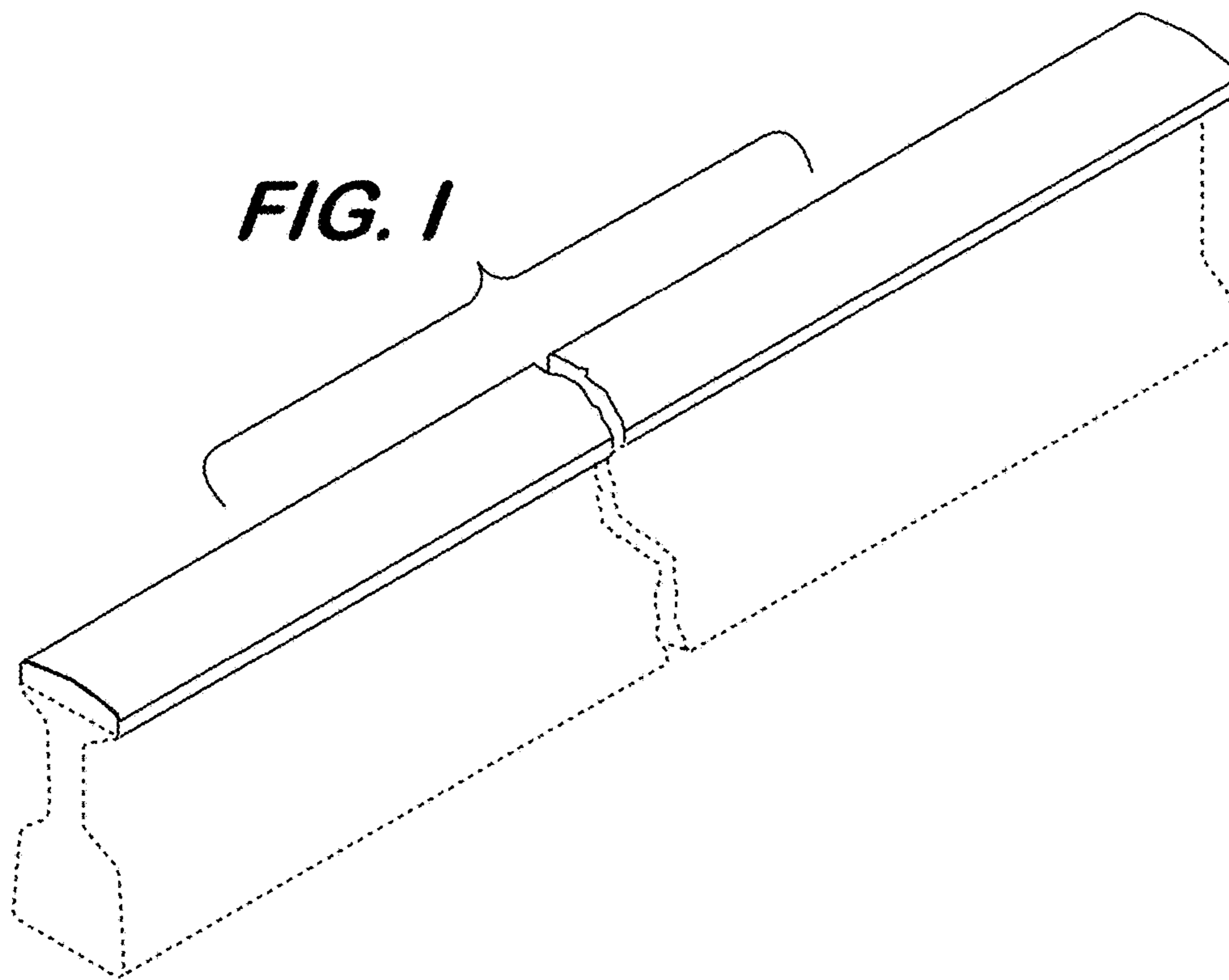


FIG. 3

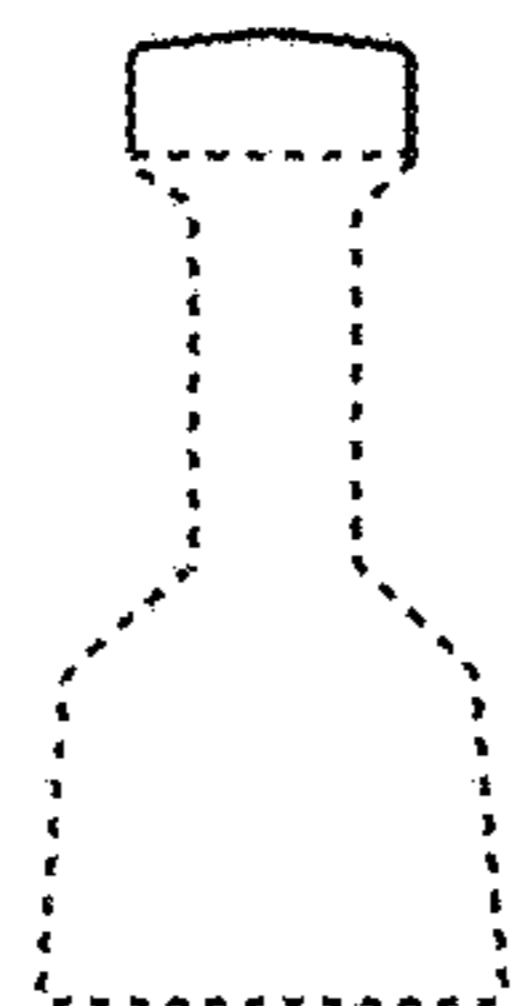


FIG. 4

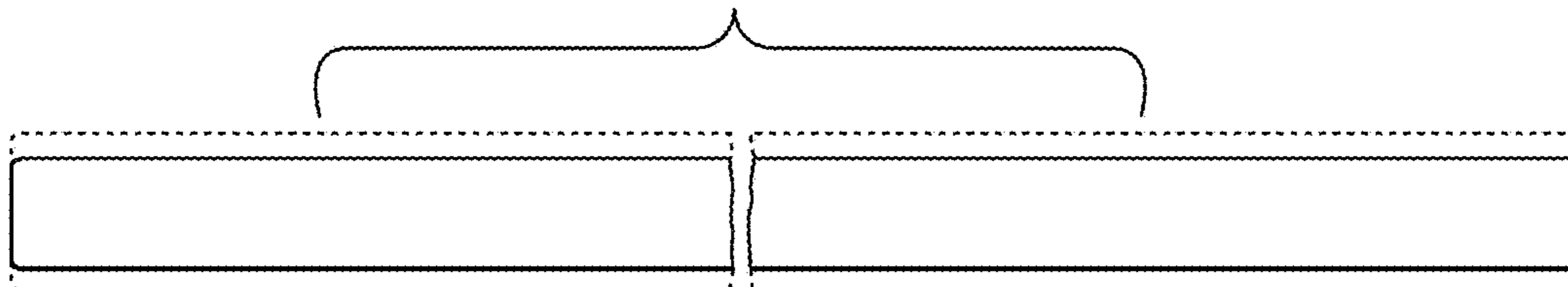


FIG. 5

